



US00D701538S

(12) **United States Design Patent**
Nam et al.

(10) **Patent No.:** **US D701,538 S**
(45) **Date of Patent:** **** Mar. 25, 2014**

(54) **COVER OF COMPRESSOR FOR
AUTOMOBILES**

- (71) Applicant: **GCS. Inc., Ltd**, Kimhae (KR)
- (72) Inventors: **Taek Kyun Nam**, Pusan (KR); **Jung Ho Lee**, Kimhae (KR)
- (73) Assignee: **GCS Inc., Ltd.**, Kimhae (KR)
- (**) Term: **14 Years**
- (21) Appl. No.: **29/462,999**
- (22) Filed: **Aug. 12, 2013**

(30) **Foreign Application Priority Data**

Feb. 14, 2013 (KR) 30-2013-0007790

(51) **LOC (10) Cl.** **15-02**

(52) **U.S. Cl.**
USPC **D15/9**

(58) **Field of Classification Search**
USPC D15/7-9; D23/231, 232, 225; 417/60,
417/235, 265, 321, 355, 358, 363, 359,
417/410.1, 415-416, 405, 900; 60/408,
60/412; 184/26-37; 415/140-147;
123/495, 509

See application file for complete search history.

(56) **References Cited**

U.S. PATENT DOCUMENTS

| | | | | | |
|------------|---|---------|------------|-------|-------|
| D648,750 S | * | 11/2011 | Chu | | D15/9 |
| D656,161 S | * | 3/2012 | Nam et al. | | D15/9 |
| D666,223 S | * | 8/2012 | Chen | | D15/9 |
| D668,681 S | * | 10/2012 | Chen | | D15/9 |
| D672,788 S | * | 12/2012 | Chen | | D15/9 |
| D673,584 S | * | 1/2013 | Nam et al. | | D15/7 |

* cited by examiner

Primary Examiner — Ralf Seifert

(74) *Attorney, Agent, or Firm* — Ladas & Parry LLP

(57) **CLAIM**

We claim the ornamental design for a cover of compressor for automobiles, as shown and described.

DESCRIPTION

FIG. 1 is a front perspective view of a cover of compressor for automobiles showing our new design; FIG. 2 is a front-side elevational view thereof; FIG. 3 is a rear-side elevational view thereof; FIG. 4 is a left-side elevational view thereof; FIG. 5 is a right-side elevational view thereof; FIG. 6 is a top-side elevational view thereof; FIG. 7 is a bottom-side elevational view thereof; and, FIG. 8 is a rear perspective view thereof. The broken lines shown in the drawings represent unclaimed portions of refrigerator.

1 Claim, 8 Drawing Sheets

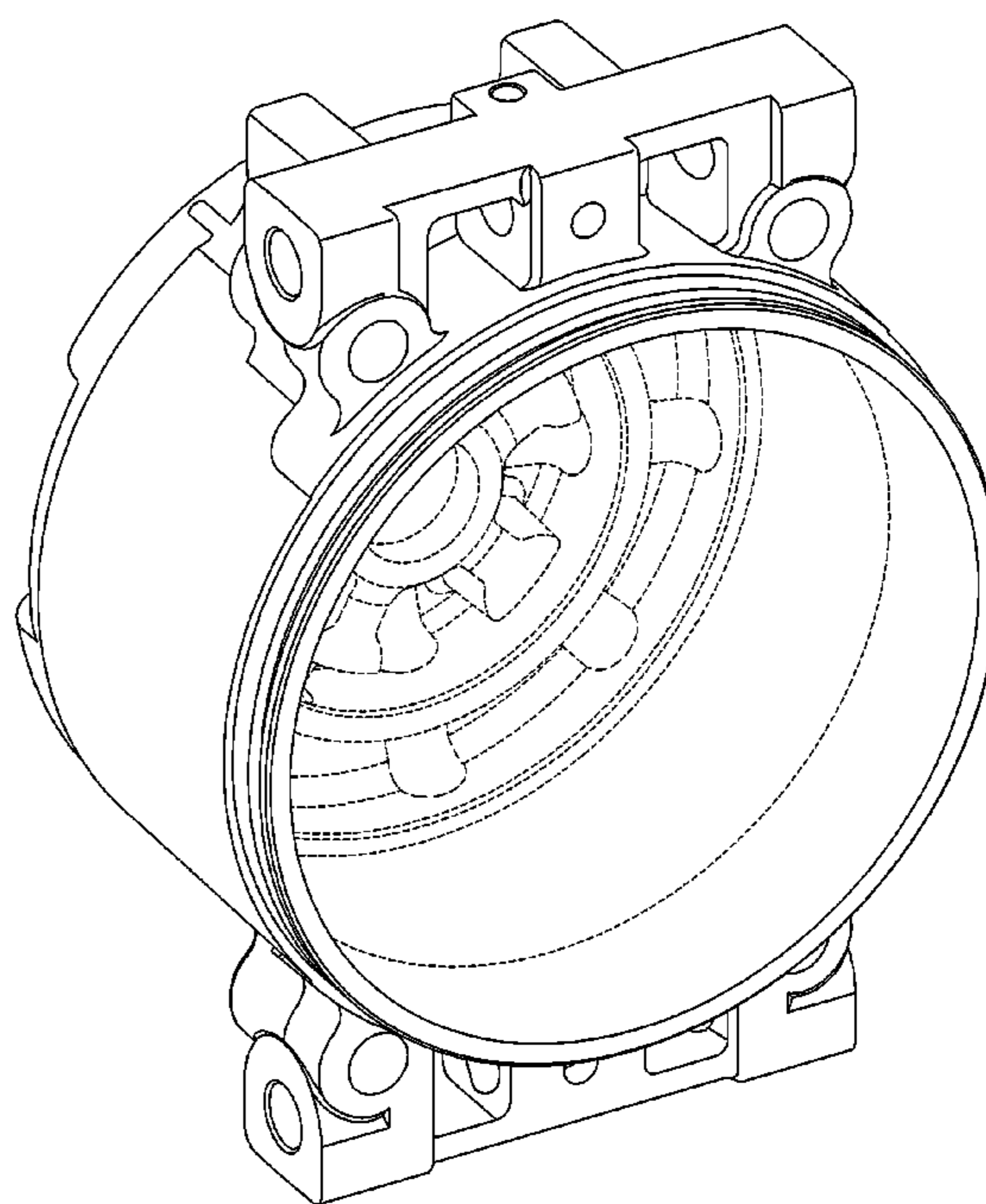
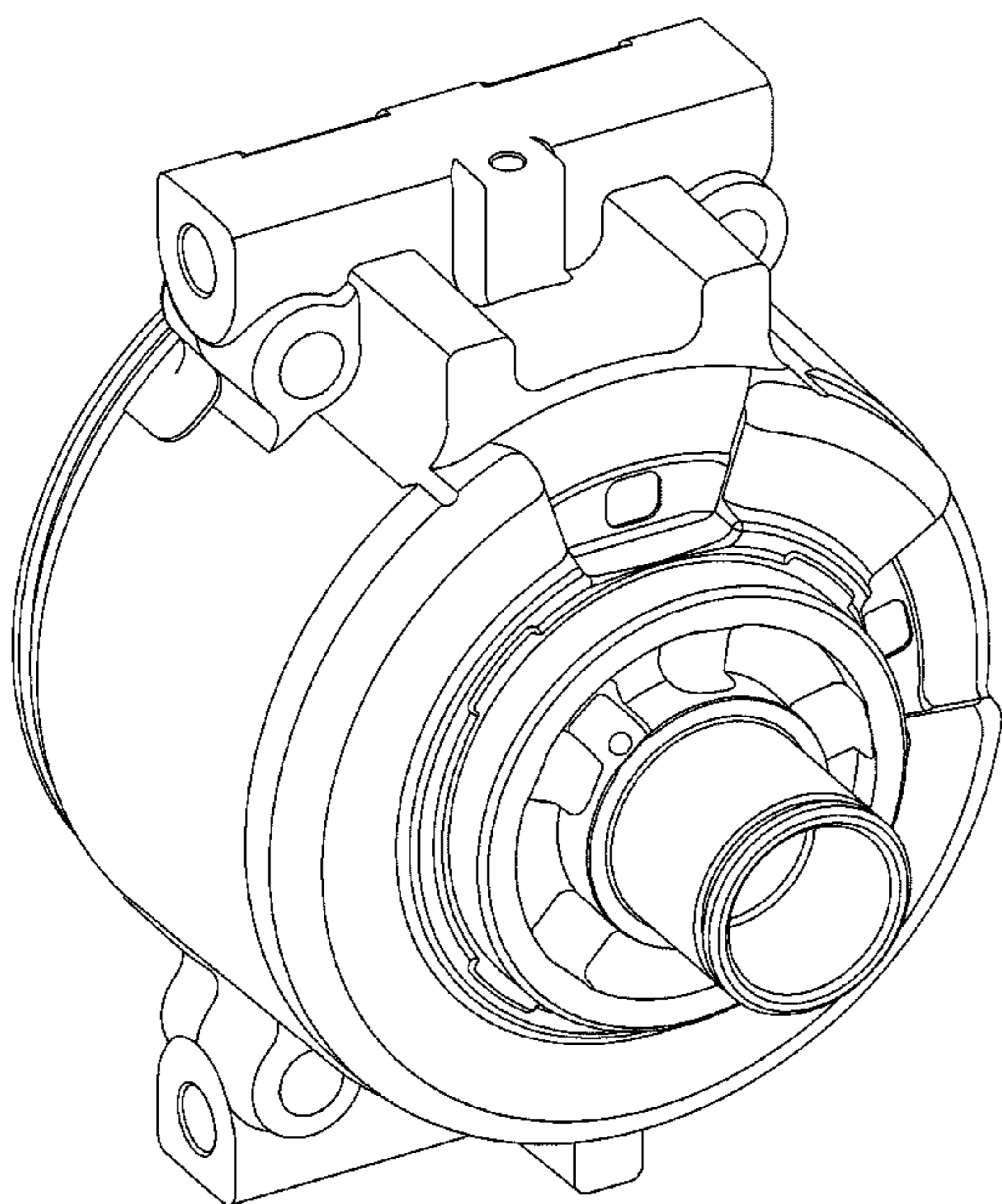


FIG. 1

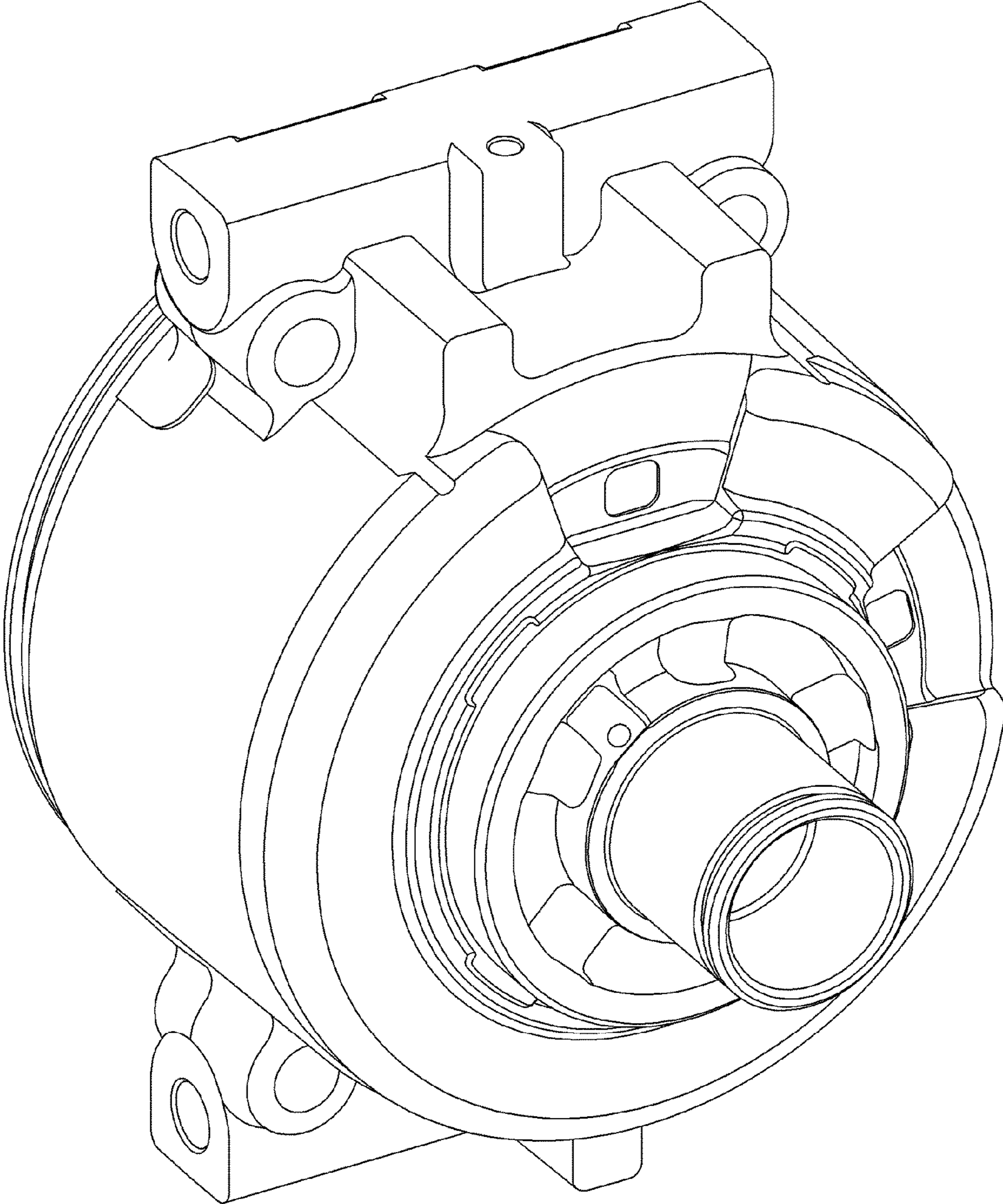


FIG. 2

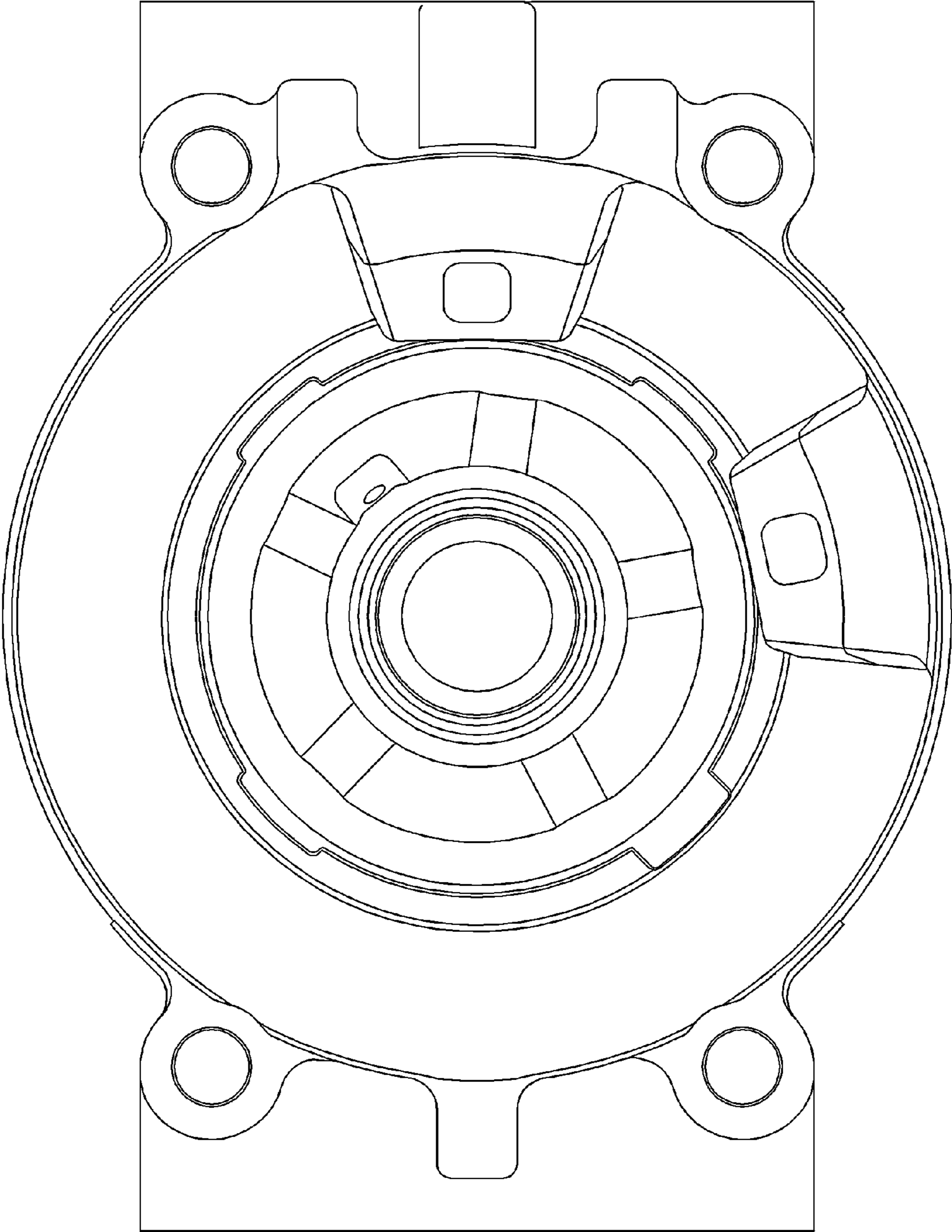


FIG. 3

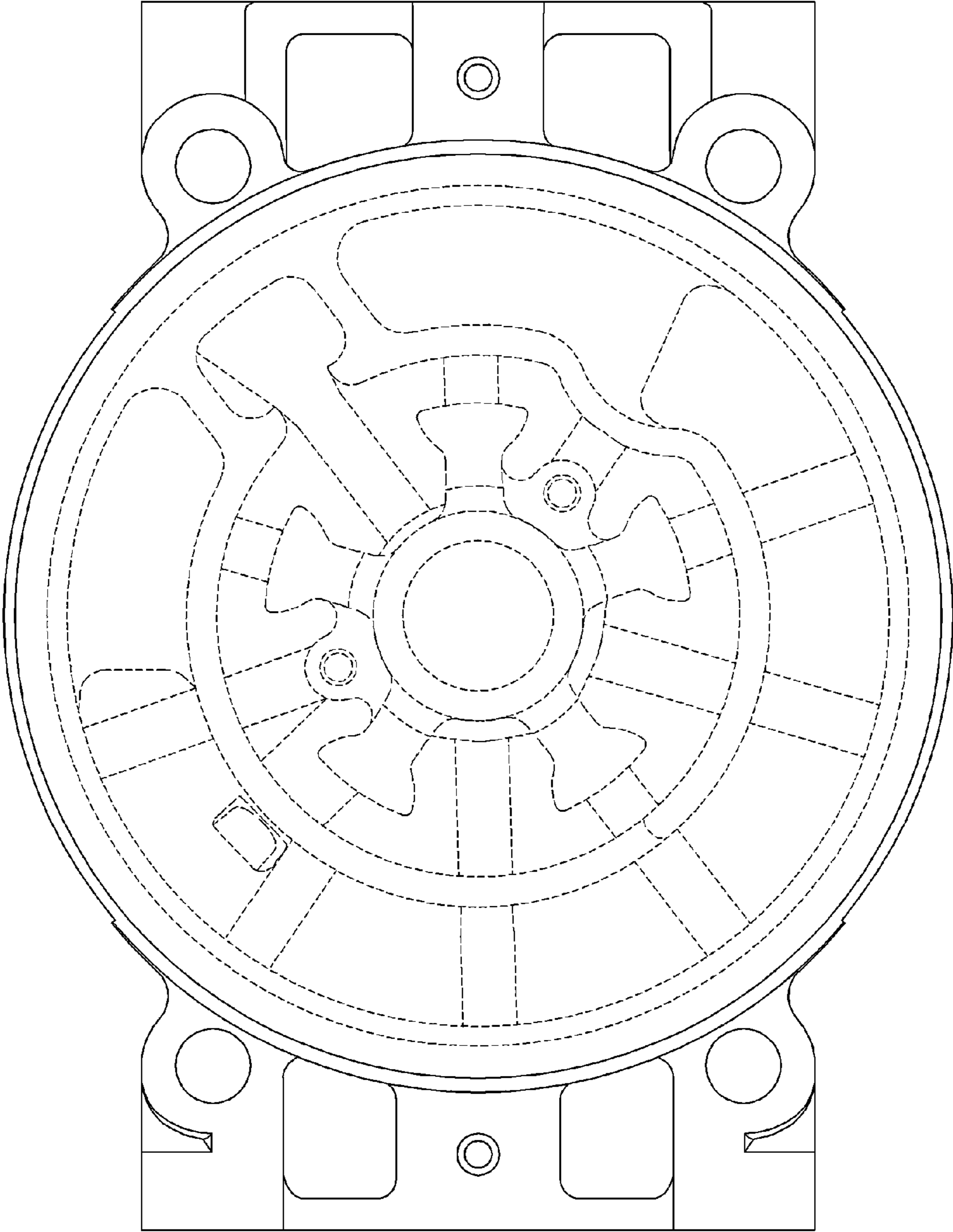


FIG. 4

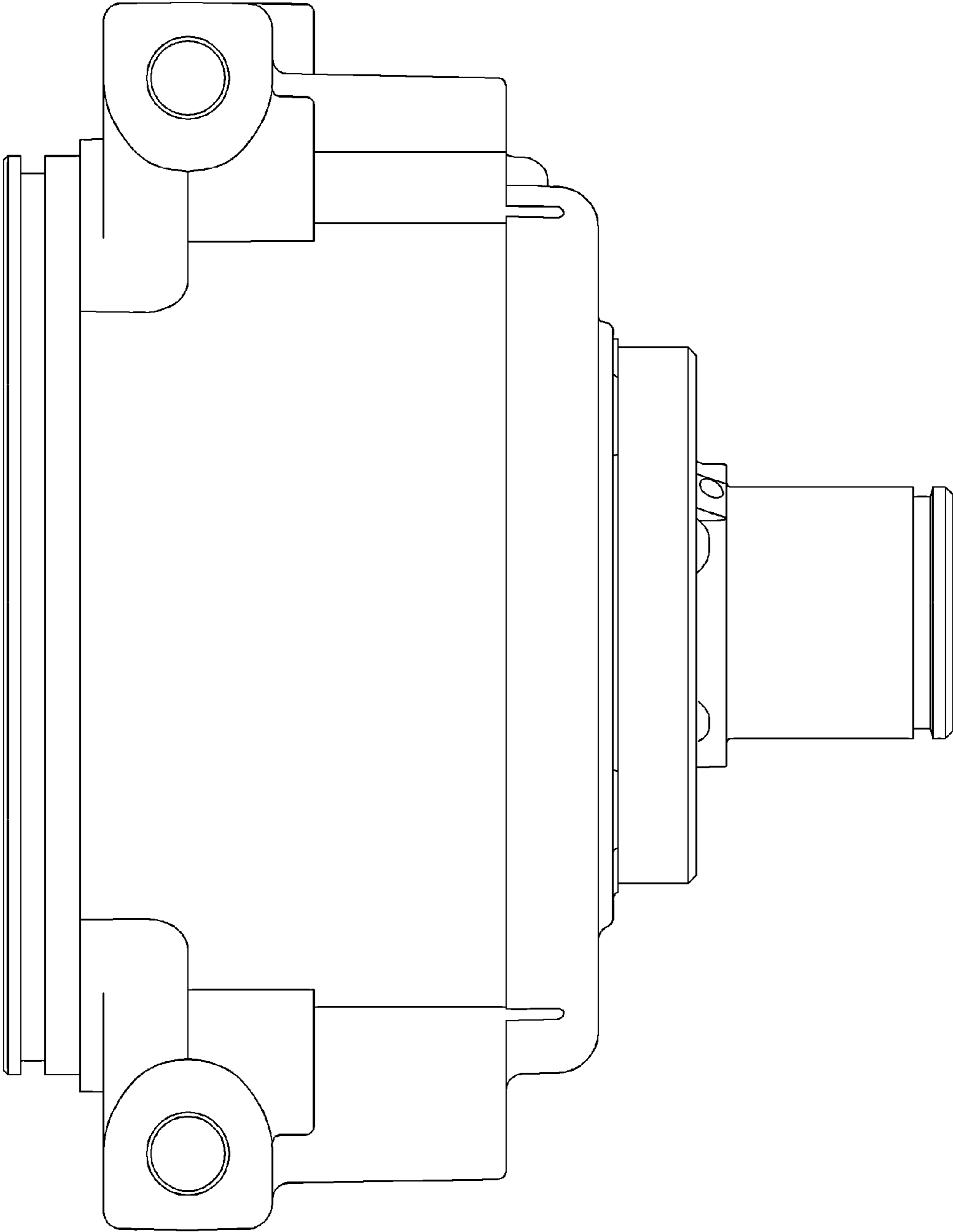


FIG. 5

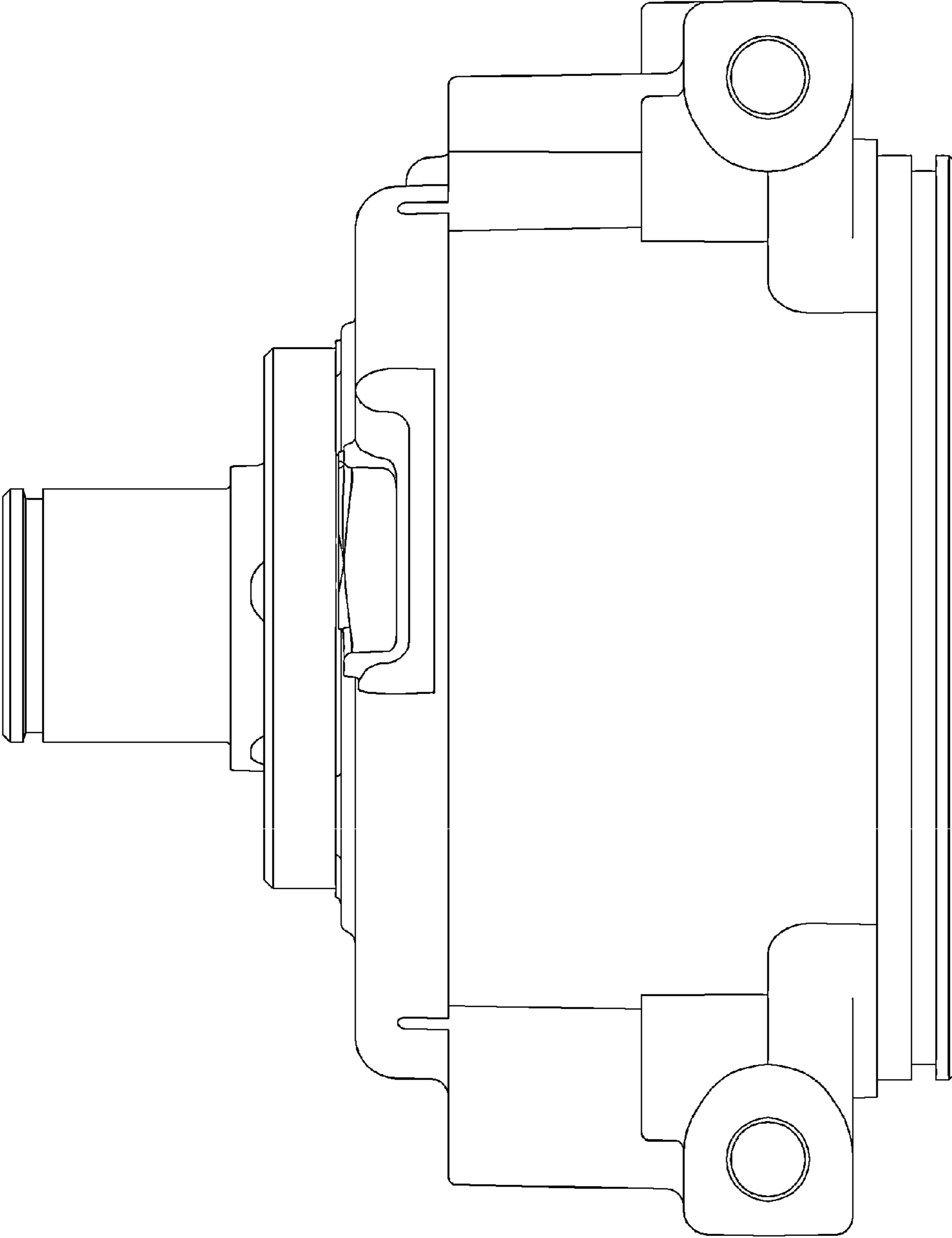


FIG. 6

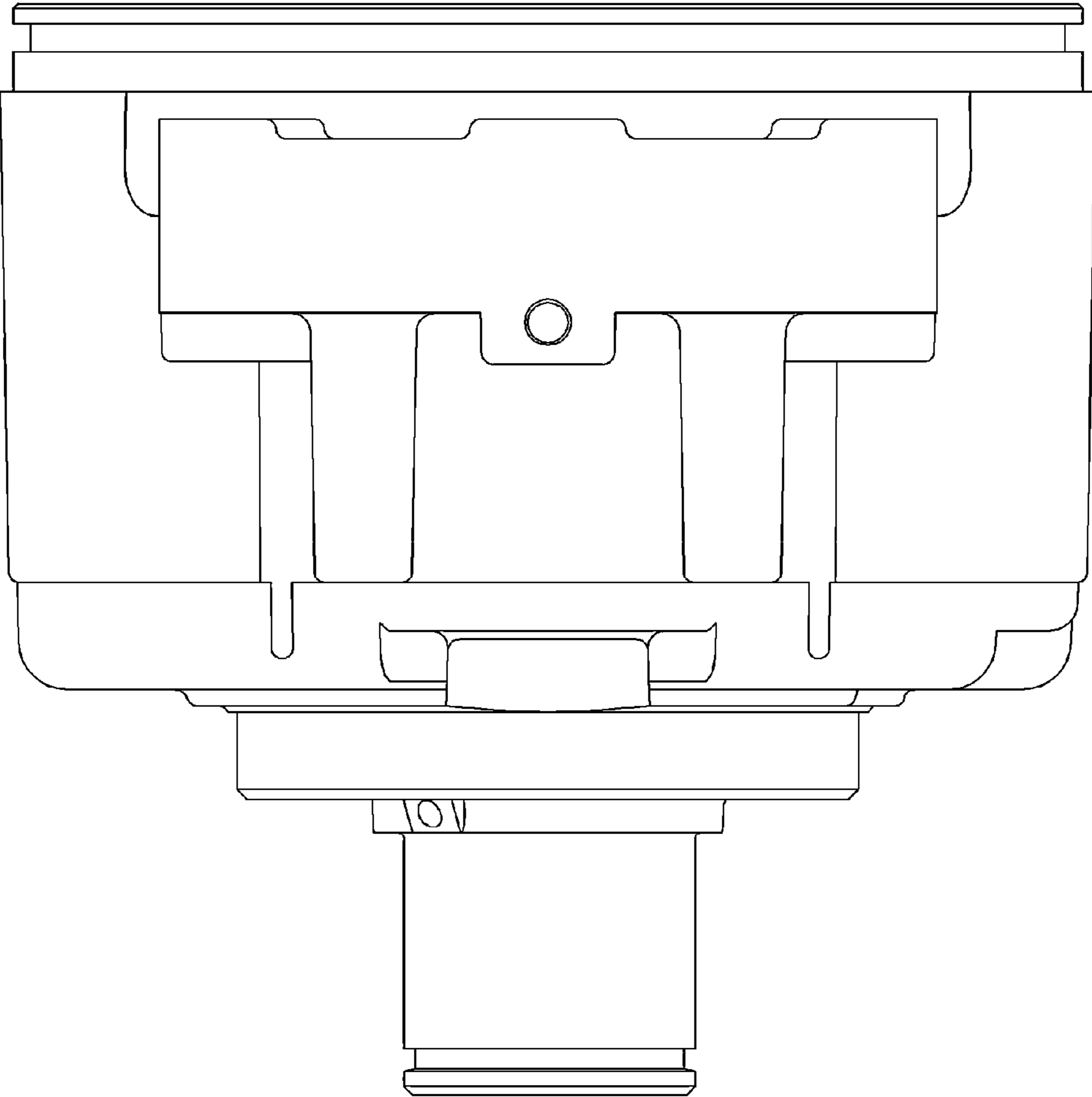


FIG. 7

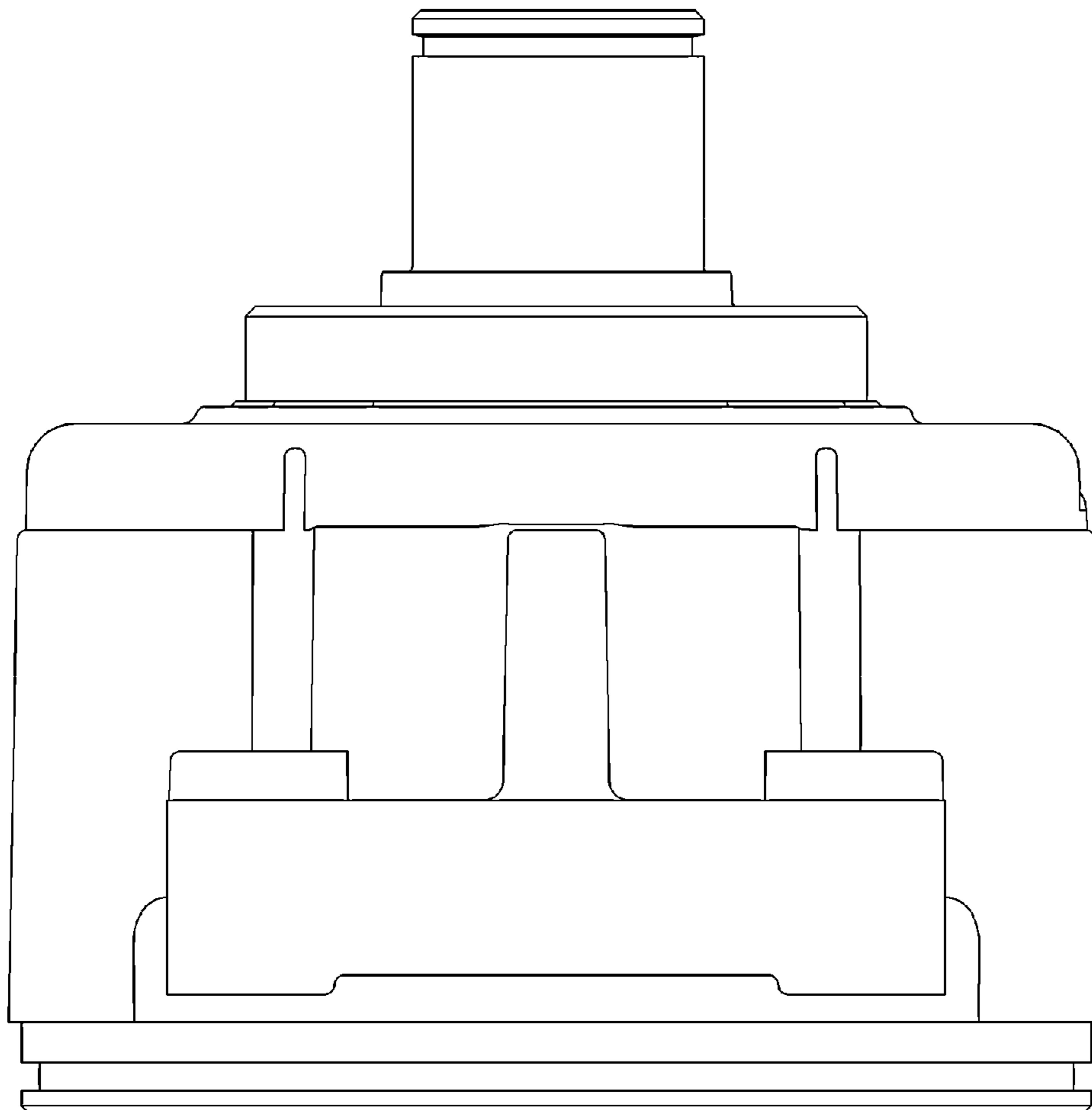


FIG. 8

