



US00D701537S

(12) **United States Design Patent**
Ueda et al.

(10) **Patent No.:** **US D701,537 S**
(45) **Date of Patent:** **** Mar. 25, 2014**

(54) **COMPRESSOR OR VACUUM MACHINE**

(71) Applicant: **Shinano Kenshi Co., Ltd.**, Ueda (JP)

(72) Inventors: **Kazuhiro Ueda**, Nagano (JP); **Eiji Okada**, Nagano (JP)

(73) Assignee: **Shinano Kenshi Co., Ltd.**, Ueda-shi (JP)

(**) Term: **14 Years**

(21) Appl. No.: **29/461,110**

(22) Filed: **Jul. 18, 2013**

(30) **Foreign Application Priority Data**

Jan. 21, 2013 (JP) 2013-000948

(51) **LOC (10) Cl.** **15-02**

(52) **U.S. Cl.**
USPC **D15/9**

(58) **Field of Classification Search**
USPC D15/7-9; D23/231, 232, 225; 417/60, 417/235, 265, 321, 355, 358, 363, 359, 417/410.1, 415-416, 405, 900, 43, 554; 60/408, 412; 184/26-37; 415/140-147; 123/495, 509; 166/105.1, 105.2, 311; 604/73; D24/109

See application file for complete search history.

(56) **References Cited**

U.S. PATENT DOCUMENTS

D246,714 S * 12/1977 Horvath D15/8
D470,864 S * 2/2003 Shibukawa et al. D15/7
D484,146 S * 12/2003 Urano et al. D15/7

D520,024 S * 5/2006 Chen D15/7
D582,435 S * 12/2008 Turgut D15/7
D582,944 S * 12/2008 Turgut D15/7
D602,500 S * 10/2009 Tokunaga et al. D15/7
D604,332 S * 11/2009 Tokunaga et al. D15/7
D680,134 S * 4/2013 Fordyce et al. D15/7

FOREIGN PATENT DOCUMENTS

JP A-58-176484 10/1983

* cited by examiner

Primary Examiner — Ralf Seifert

(74) *Attorney, Agent, or Firm* — Oliff PLC

(57) **CLAIM**

The ornamental design for a compressor or a vacuum machine, as shown and described.

DESCRIPTION

FIG. 1 is a perspective view of a compressor or a vacuum machine showing our new design; FIG. 2 is a perspective view thereof; FIG. 3 is a front view thereof; FIG. 4 is a right side view thereof; FIG. 5 is a top plan view thereof; and, FIG. 6 is a bottom view thereof. A left side view is symmetrical to a right side view and is omitted. The broken line showing of elements is included for the purpose of illustrating environmental matter and forms no part of the claimed design.

1 Claim, 6 Drawing Sheets

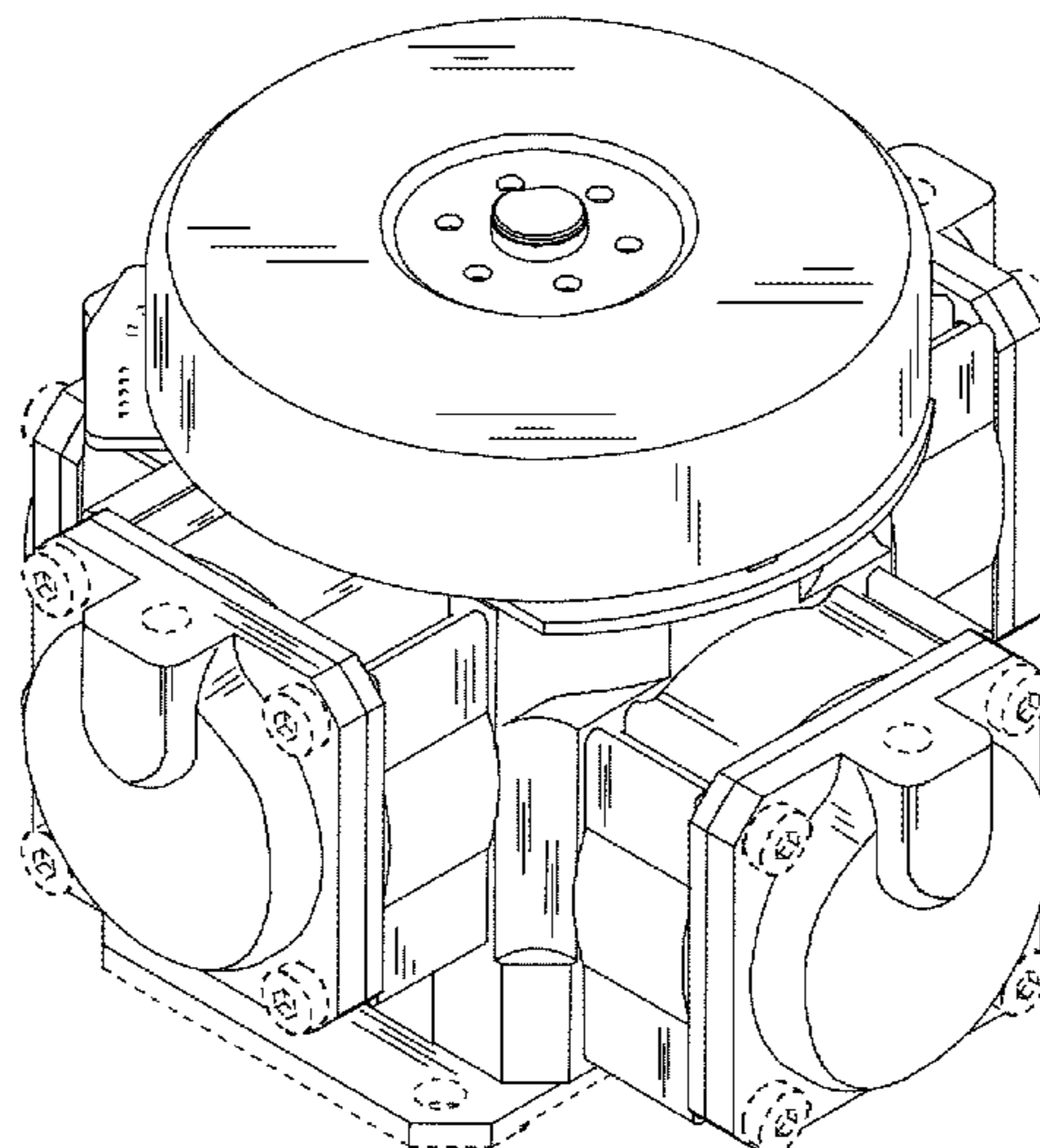


FIG. 1

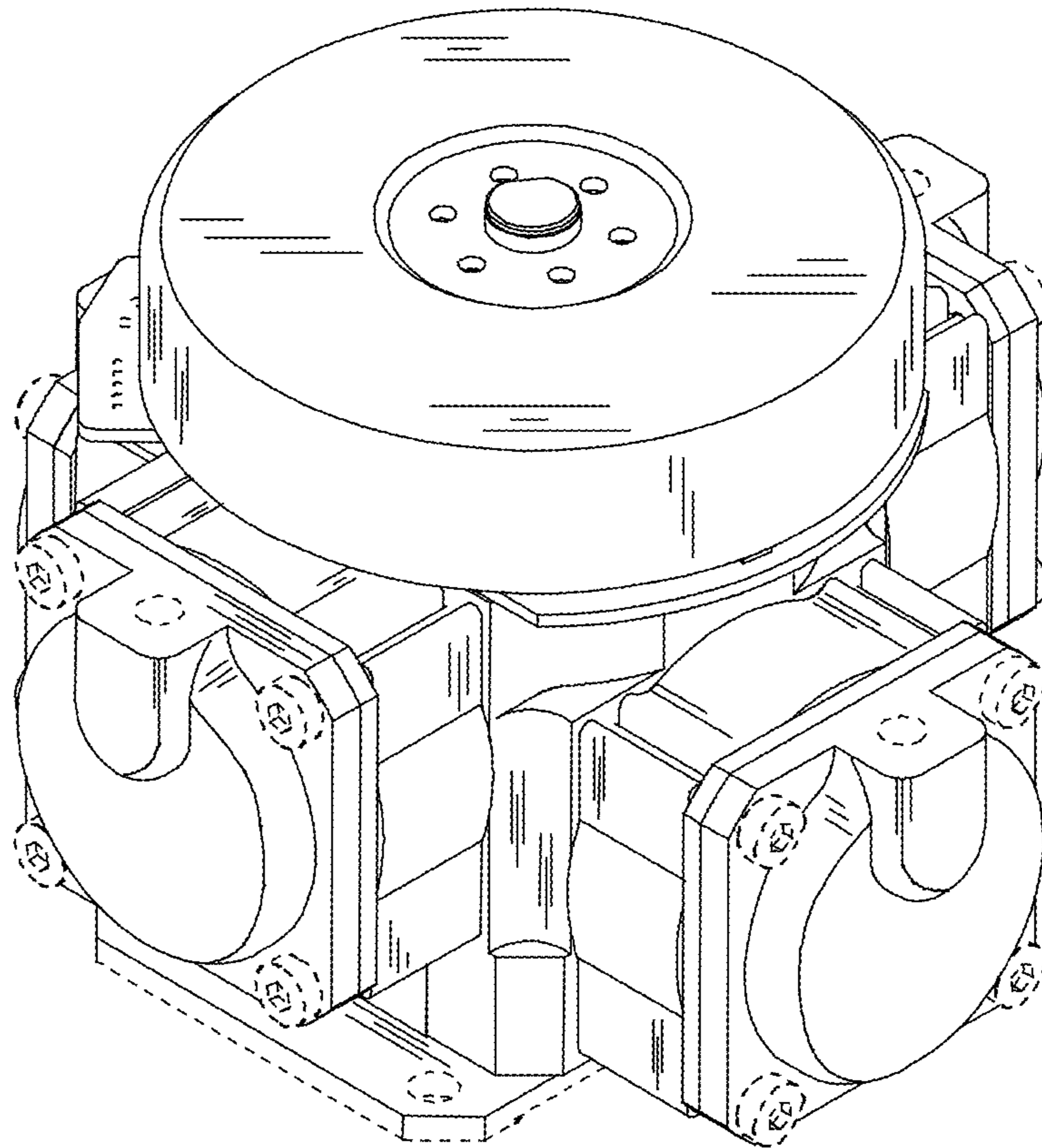


FIG. 2

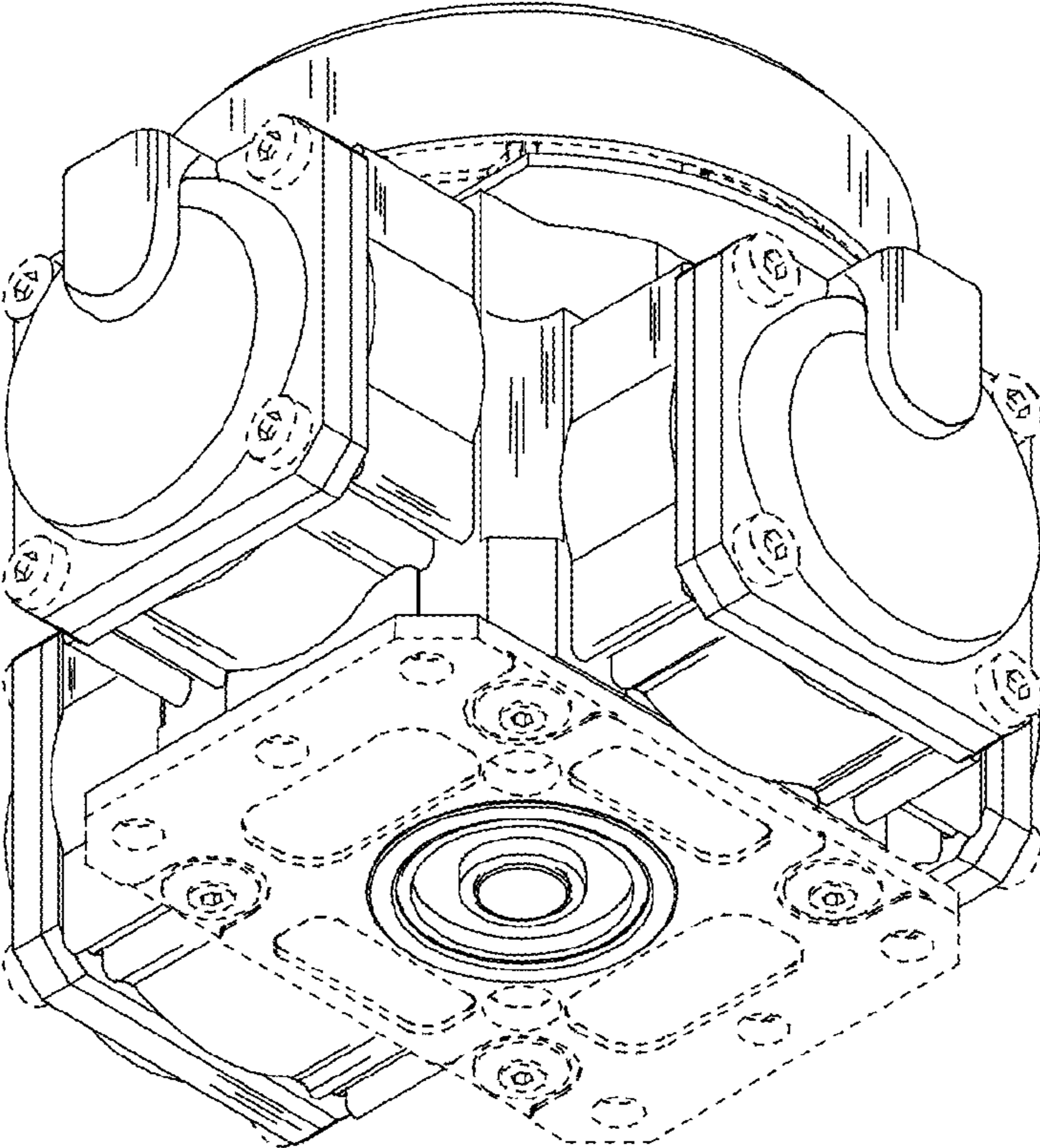


FIG. 3

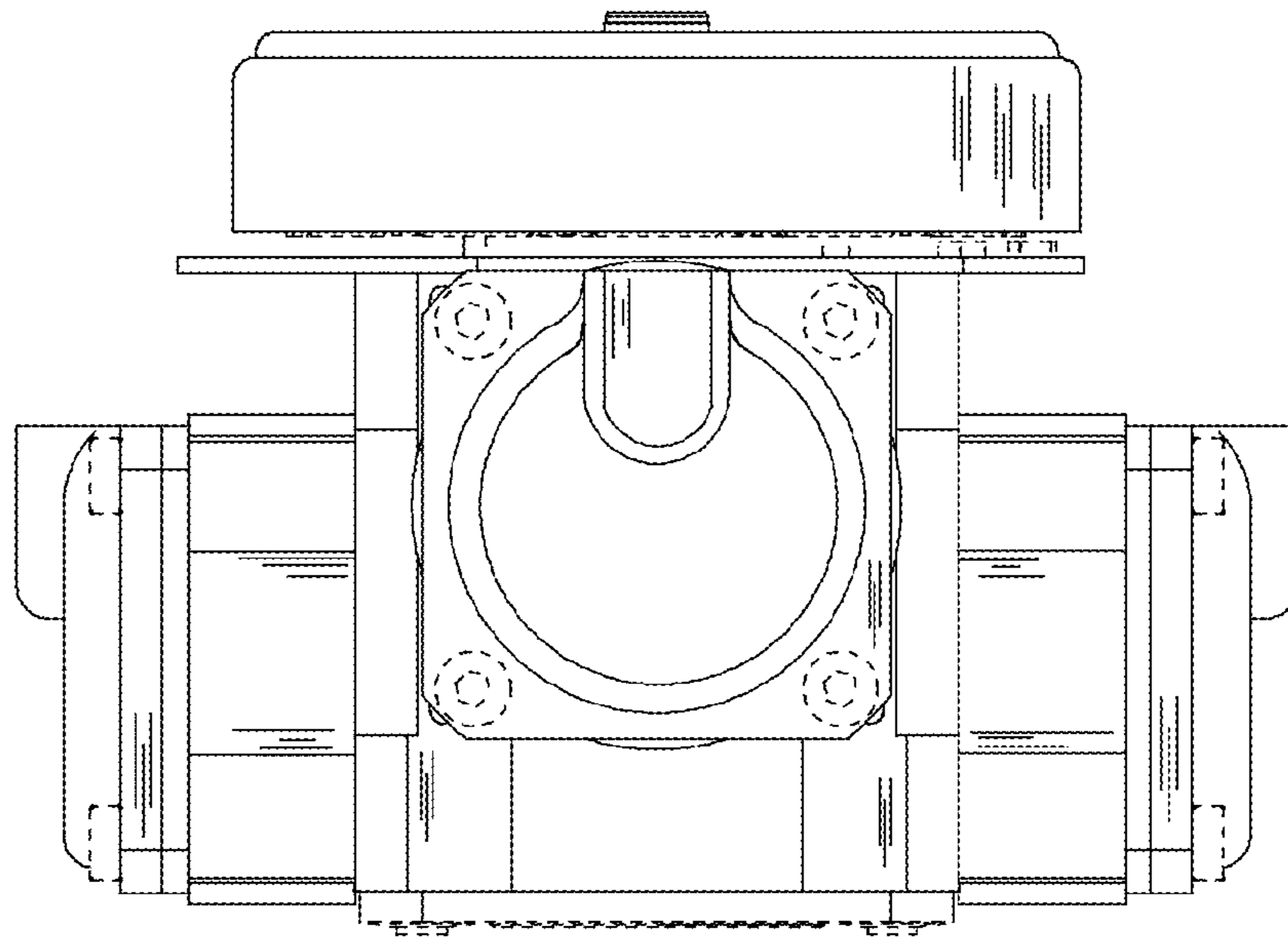


FIG. 4

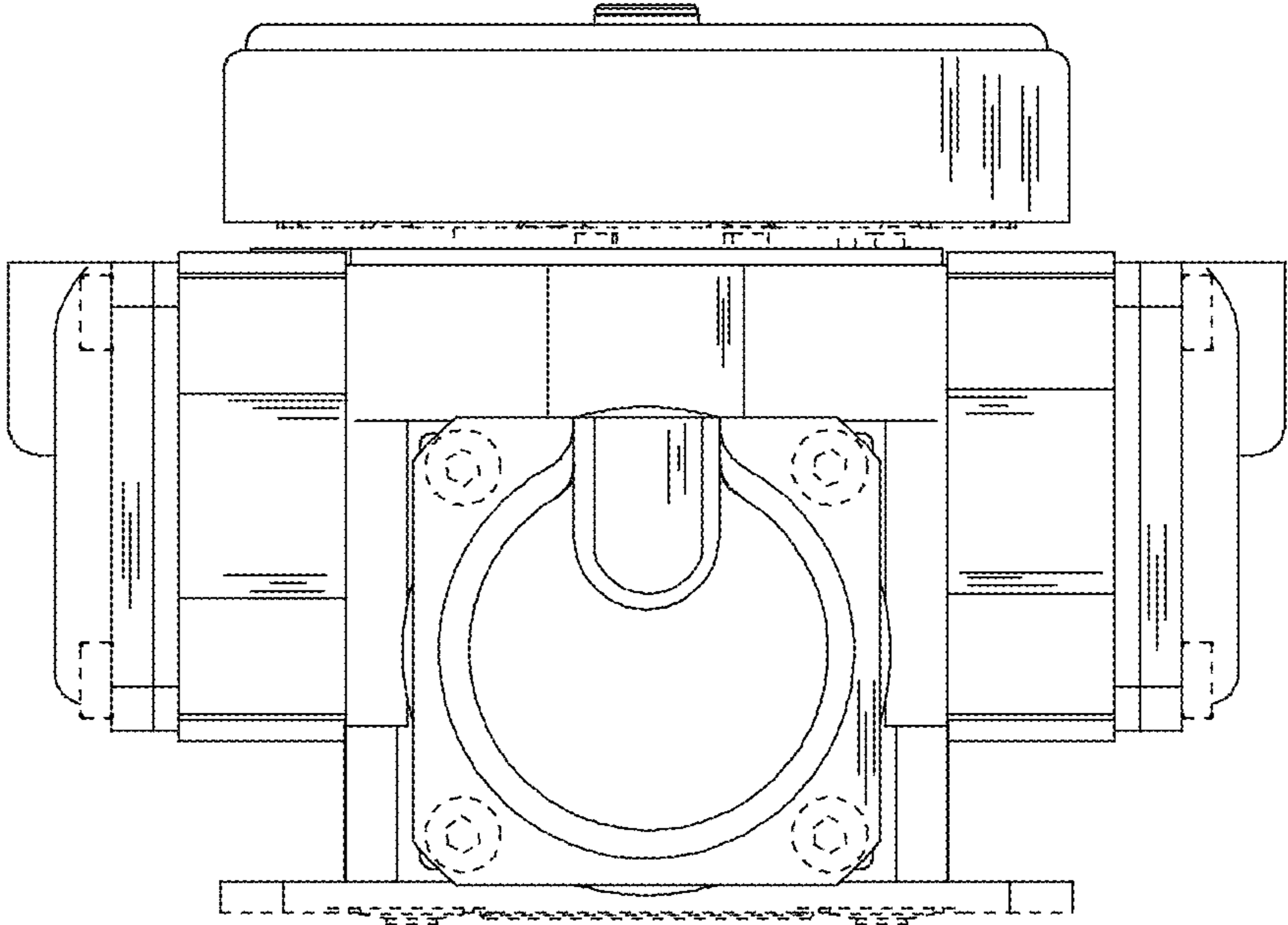


FIG. 5

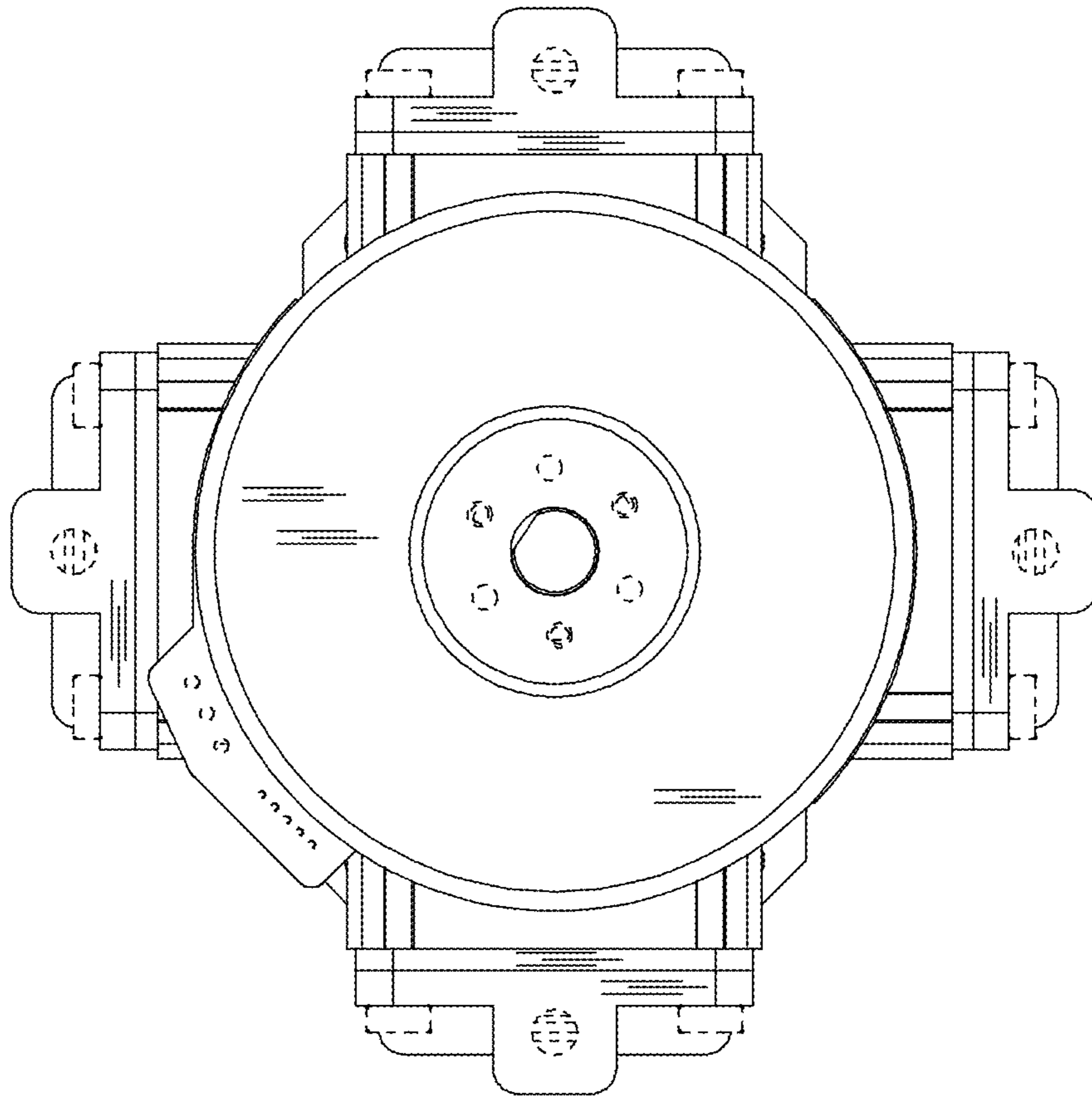


FIG. 6

