



US00D701535S

(12) **United States Design Patent**
Ellison et al.

(10) **Patent No.:** **US D701,535 S**
(45) **Date of Patent:** **** Mar. 25, 2014**

(54) **MOTORCYCLE IGNITION COIL ASSEMBLY**

(71) Applicant: **Prestolite Performance LLC**,
Cleveland, OH (US)

(72) Inventors: **Jason Ellison**, Elyria, OH (US); **Jon Arotzarena**, Parma, OH (US)

(73) Assignee: **Prestolite Performance, LLC**,
Cleveland, OH (US)

(**) Term: **14 Years**

(21) Appl. No.: **29/444,520**

(22) Filed: **Jan. 31, 2013**

(51) **LOC (10) Cl.** **15-01**

(52) **U.S. Cl.**
USPC **D15/5**

(58) **Field of Classification Search**
USPC D12/114; D15/5, 199; 123/406.11, 621,
123/630, 634, 635, 647, 980, 198 R;
180/313, 377; 280/288.4
See application file for complete search history.

(56) **References Cited**

U.S. PATENT DOCUMENTS

D342,076 S *	12/1993	Heismann	D15/5
D549,241 S *	8/2007	Giddens	D15/5
RE43,920 E *	1/2013	Giddens	D15/5
2010/0227715 A1 *	9/2010	King	473/447
2012/0017881 A1 *	1/2012	Kataoka et al.	123/621
2012/0103313 A1 *	5/2012	Idogawa et al.	123/634

* cited by examiner

Primary Examiner — Susan E Krakower

Assistant Examiner — Linda Brooks

(74) *Attorney, Agent, or Firm* — Benesch, Friedlander,
Coplan & Aronoff, LLP

(57) **CLAIM**

What is claimed is the ornamental design for a motorcycle ignition coil assembly, as shown and described.

DESCRIPTION

FIG. 1 is a perspective view a motorcycle ignition coil assembly showing a new design;

FIG. 2 is a front view of the motorcycle ignition coil assembly of FIG. 1;

FIG. 3 is a rear view of the motorcycle ignition coil assembly of FIG. 1;

FIG. 4 is a top view of the motorcycle ignition coil assembly of FIG. 1;

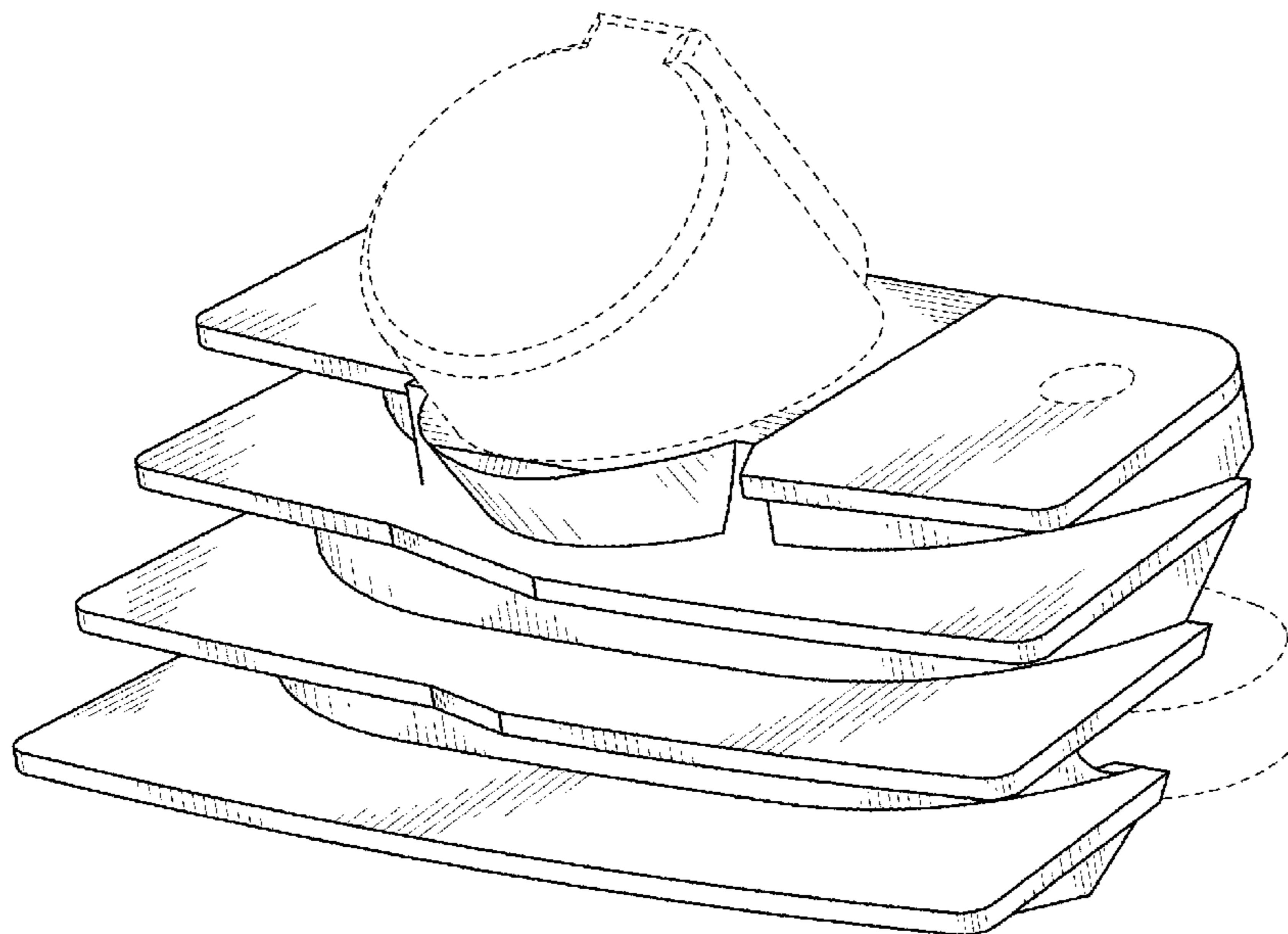
FIG. 5 is a bottom view of the motorcycle ignition coil assembly of FIG. 1;

FIG. 6 is a right side view of the motorcycle ignition coil assembly of FIG. 1; and,

FIG. 7 is a left side view of the motorcycle ignition coil assembly of FIG. 1.

The components of the display shown in broken lines illustrate portions of the motorcycle ignition coil assembly which form no part of the claimed design.

1 Claim, 7 Drawing Sheets



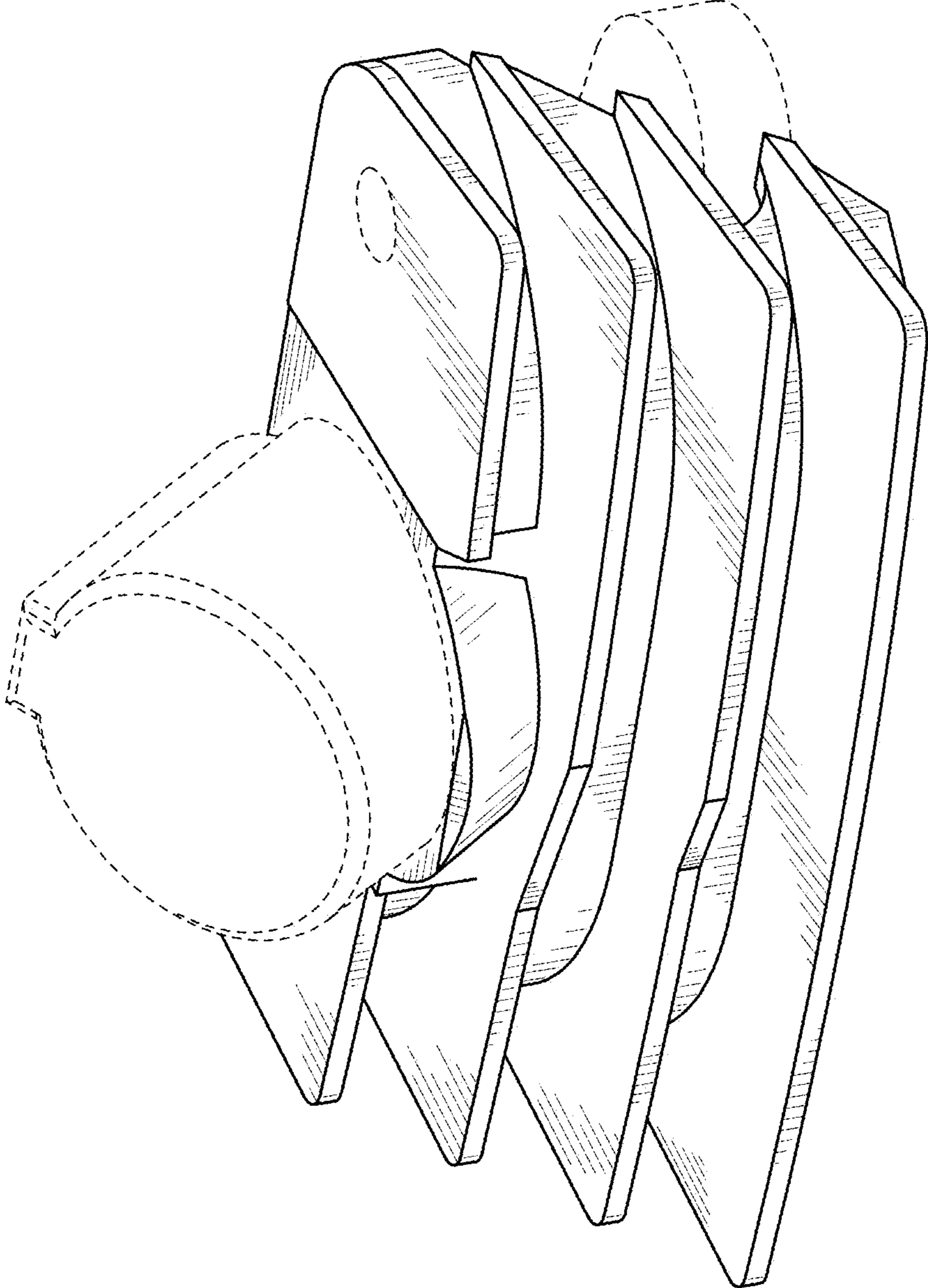


Fig. 1

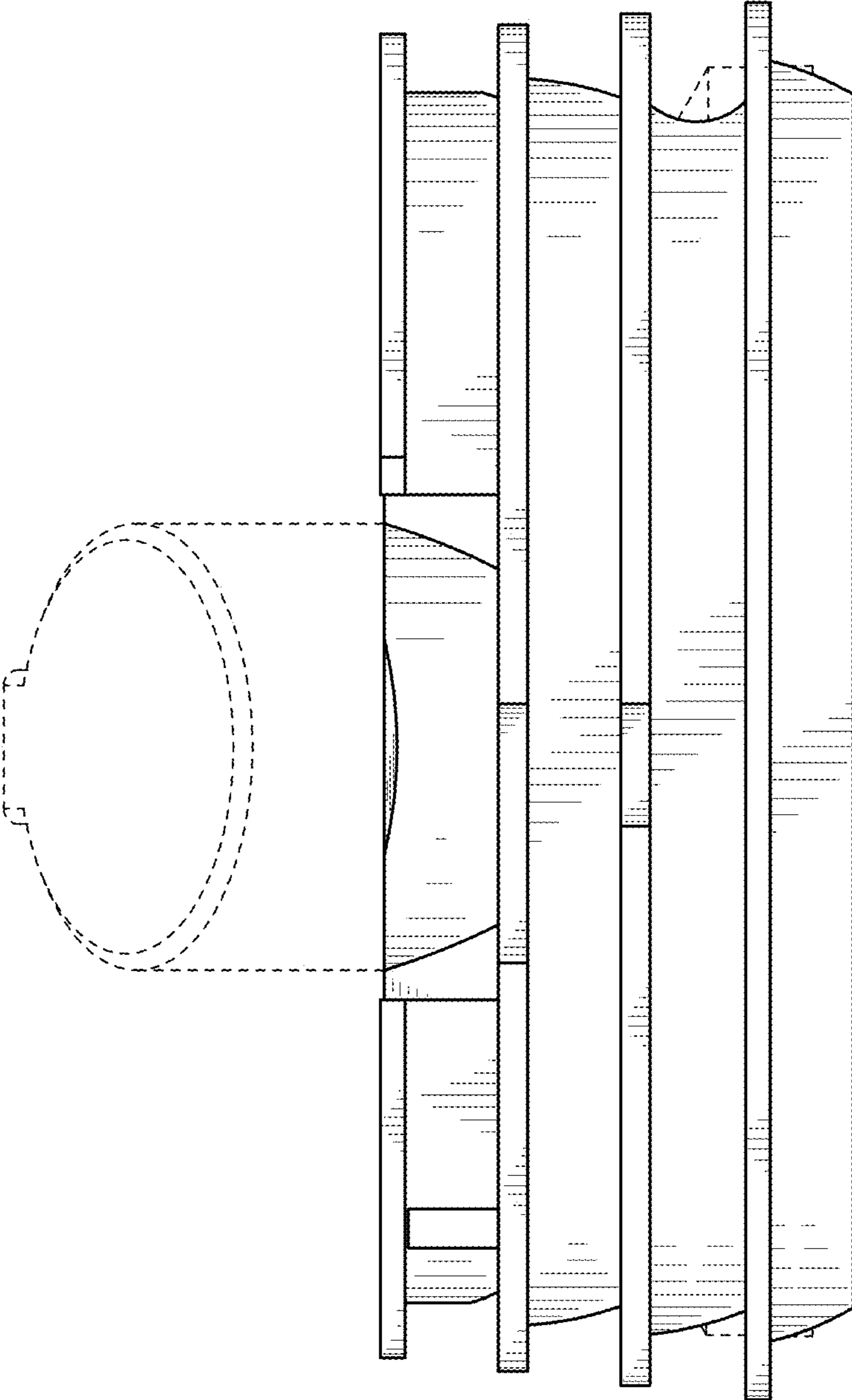


Fig. 2

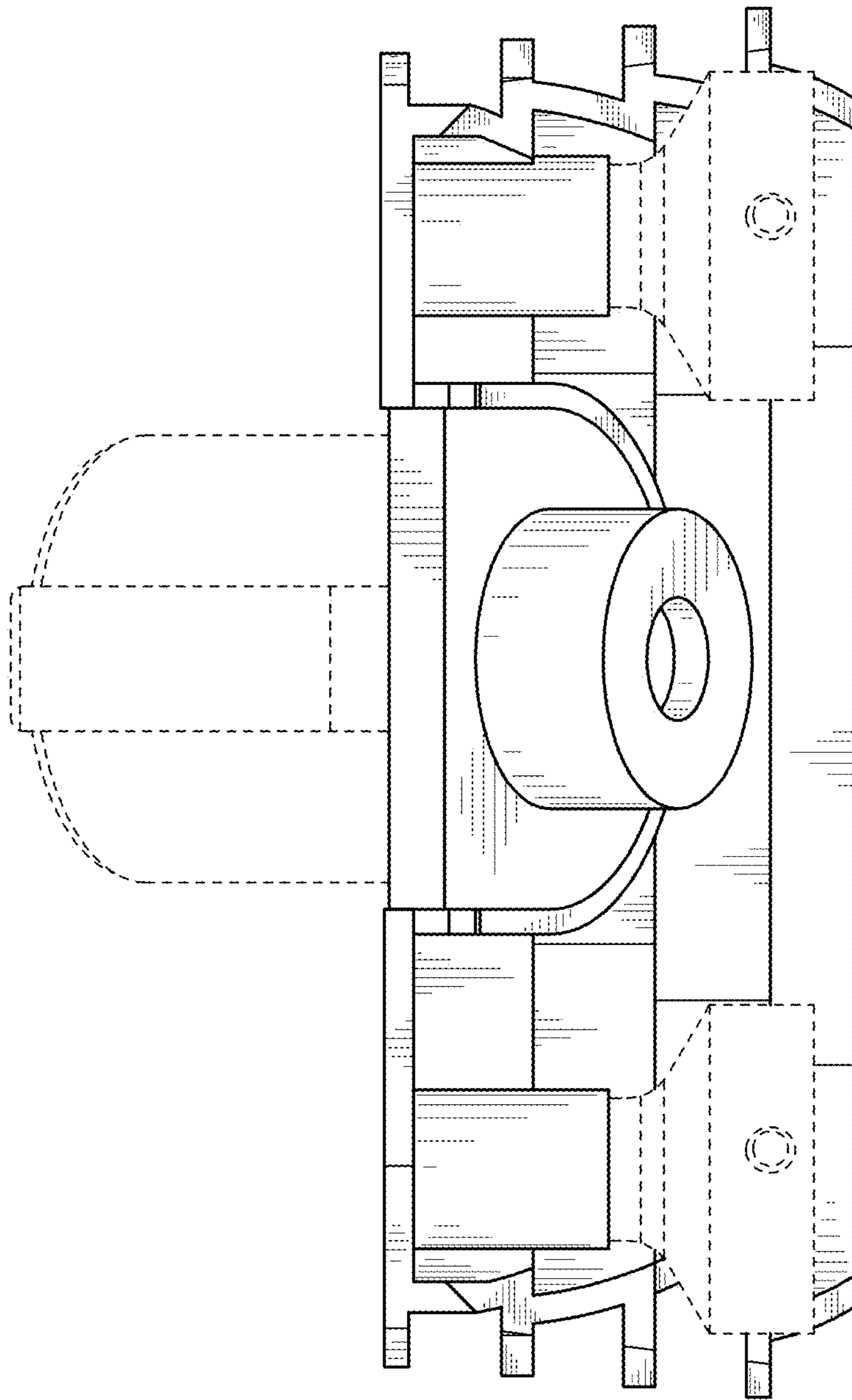


Fig. 3

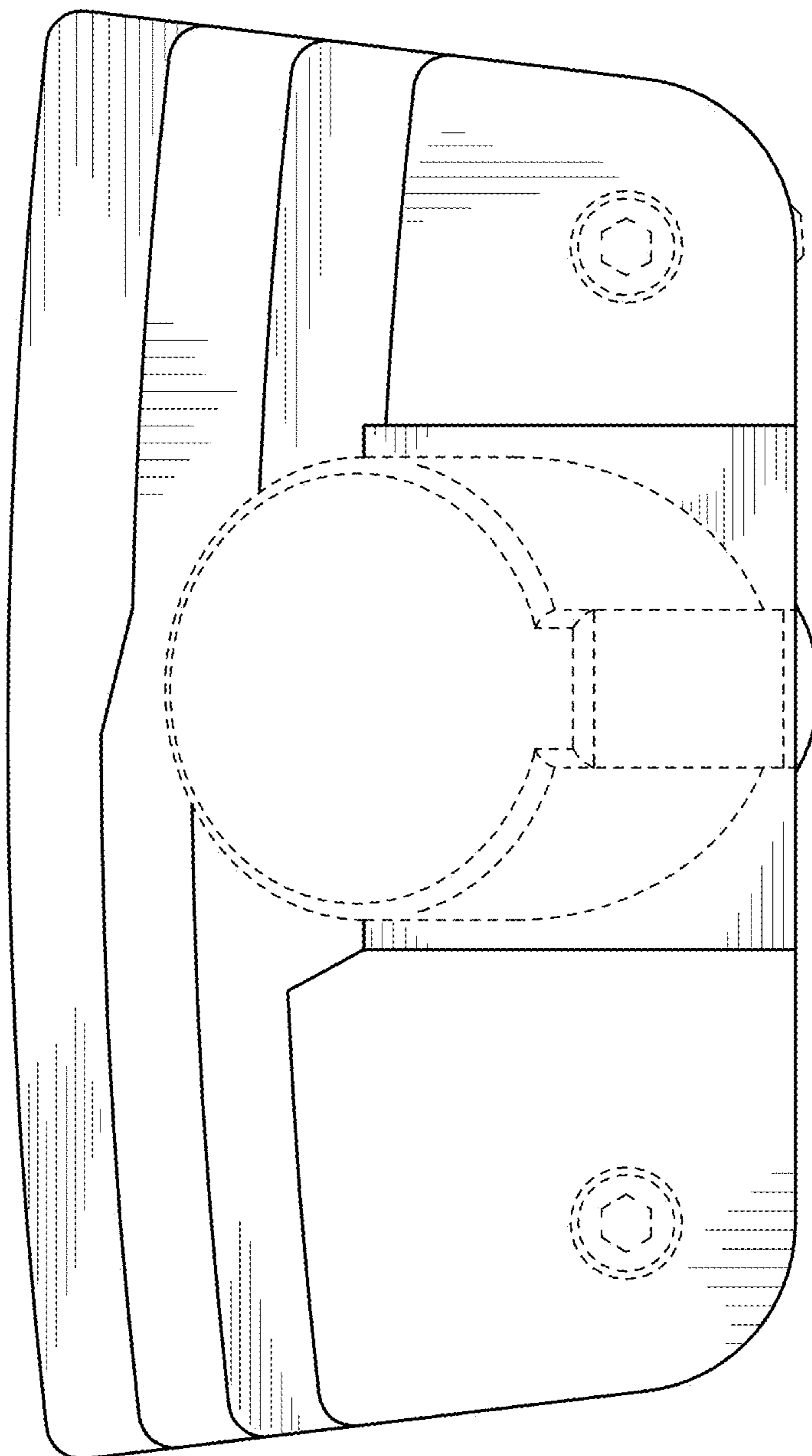


Fig. 4

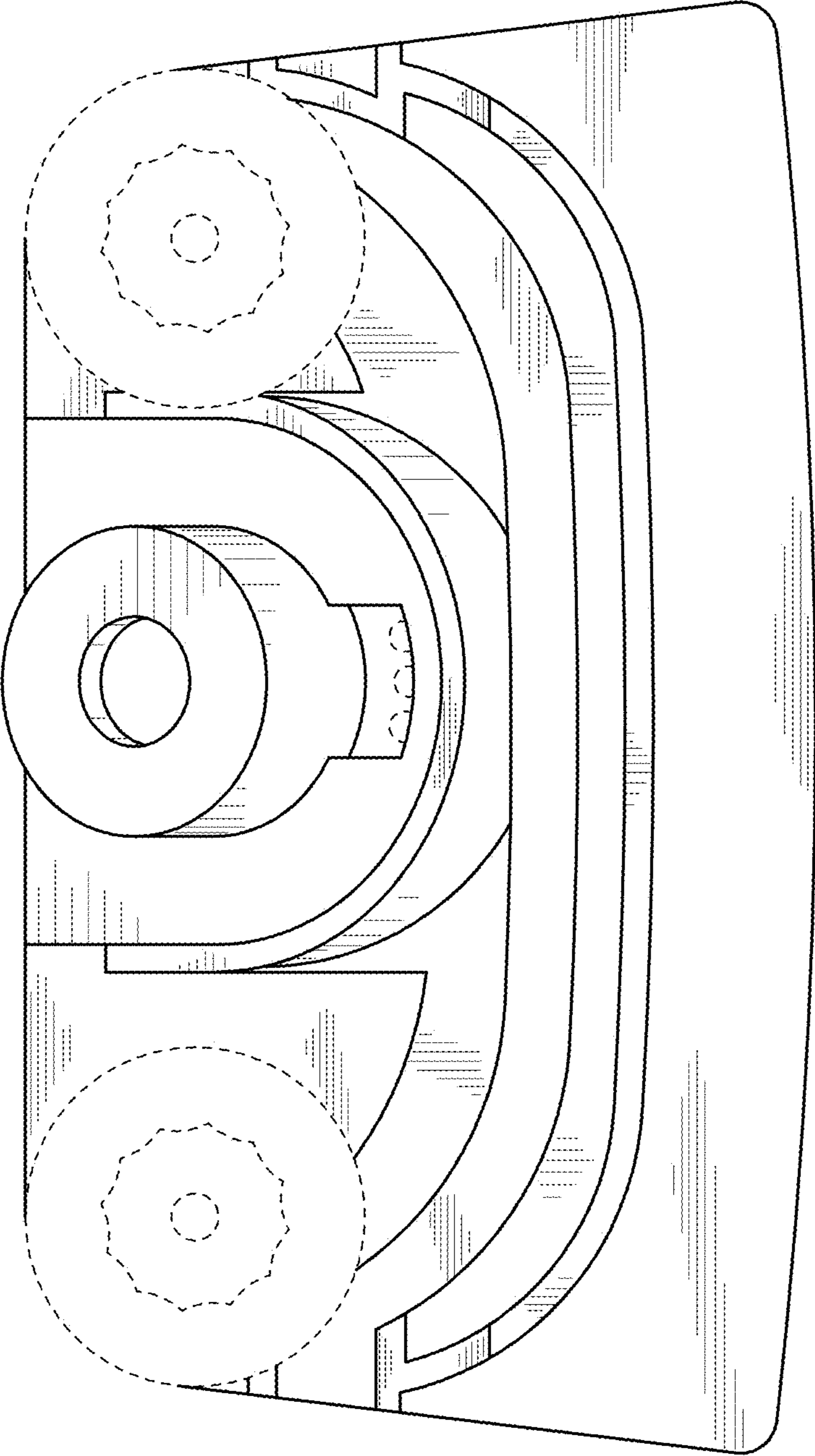


Fig. 5

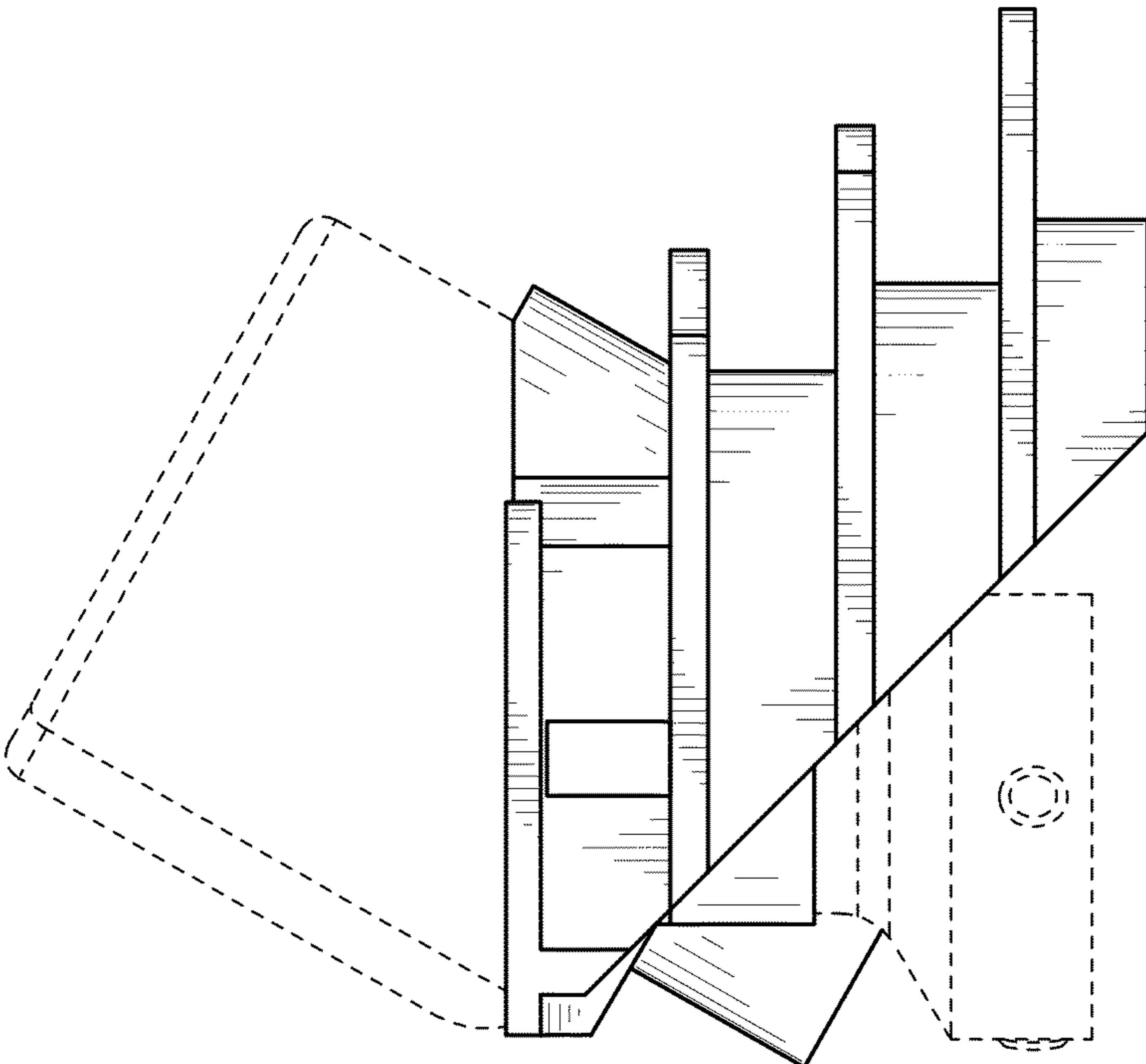


Fig. 6

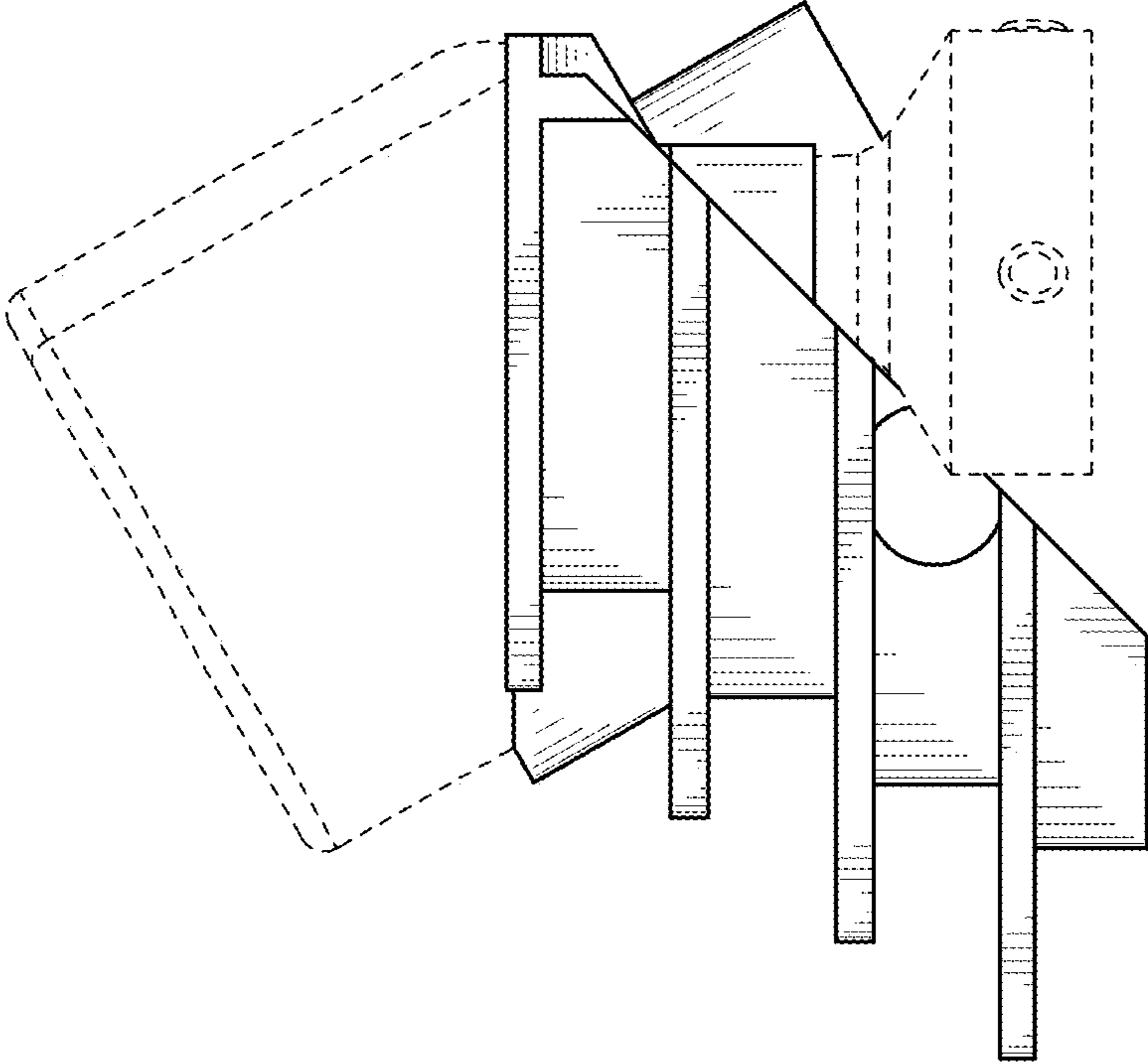


Fig. 7