



US00D701511S

(12) **United States Design Patent**
He

(10) **Patent No.:** **US D701,511 S**
(45) **Date of Patent:** **** Mar. 25, 2014**

(54) **STAND AND KEYBOARD FOR TABLET COMPUTER**

(71) Applicant: **Shenzhen Xin Ni Da Technology Co., Ltd, Guangdong (CN)**

(72) Inventor: **Wei He, Guangxi (CN)**

(73) Assignee: **Shenzhen Xin Ni Da Technology Co., Ltd, Shenzhen (CN)**

(**) Term: **14 Years**

(21) Appl. No.: **29/466,287**

(22) Filed: **Sep. 6, 2013**

(51) **LOC (10) Cl.** **08-07**

(52) **U.S. Cl.**
USPC **D14/447**

(58) **Field of Classification Search**
USPC D14/447, 451, 457, 432, 434, 439, 440, D14/217, 238.1, 250, 251, 253; D6/406.1, D6/406.2, 406.3, 406.4, 406.5, 406.6; D12/415; D13/108, 110; D8/363; D21/333; 248/917-924, 133, 136, 139, 248/150, 176.1, 188.6, 444; 361/679.09, 361/679.21, 679.22, 679.24, 679.26, 361/679.27, 679.28, 679.3, 679.55, 679.56, 361/709

See application file for complete search history.

(56) **References Cited**

U.S. PATENT DOCUMENTS

D659,139 S * 5/2012 Gengler D14/392
D674,801 S * 1/2013 Wharram D14/440

D675,625 S * 2/2013 Hasbrook et al. D14/440
D676,453 S * 2/2013 Hsu et al. D14/447
D679,277 S * 4/2013 Probst et al. D14/440
D689,497 S * 9/2013 Park et al. D14/434
D692,432 S * 10/2013 Liu et al. D14/440
D693,822 S * 11/2013 Bates et al. D14/440
2008/0225471 A1 * 9/2008 Takizawa 361/681
2012/0224316 A1 * 9/2012 Shulenberg 361/679.09
2013/0170126 A1 * 7/2013 Lee 361/679.17
2013/0176673 A1 * 7/2013 Yen et al. 361/679.26
2013/0201625 A1 * 8/2013 Liang et al. 361/679.55

* cited by examiner

Primary Examiner — Angela J Lee

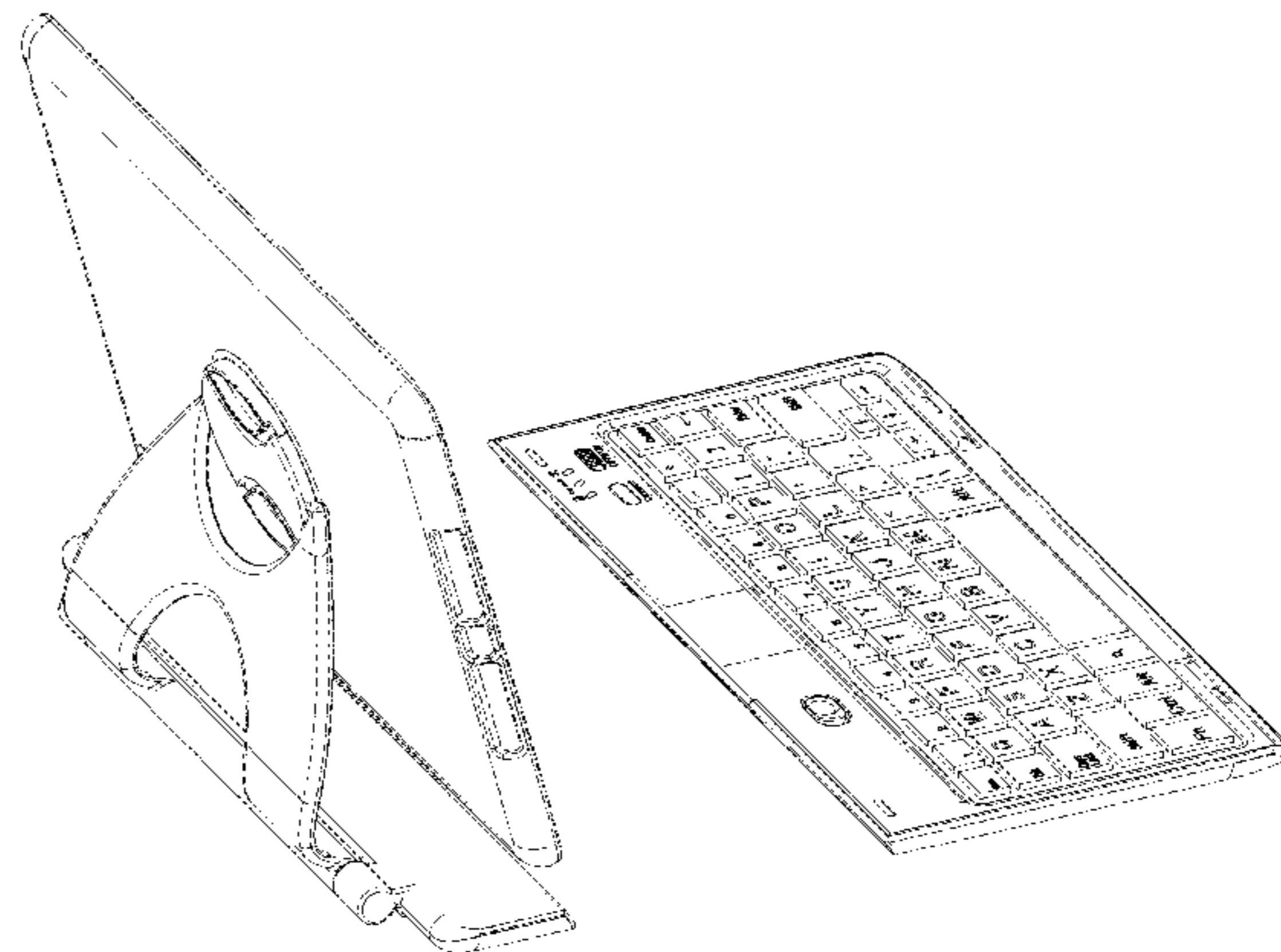
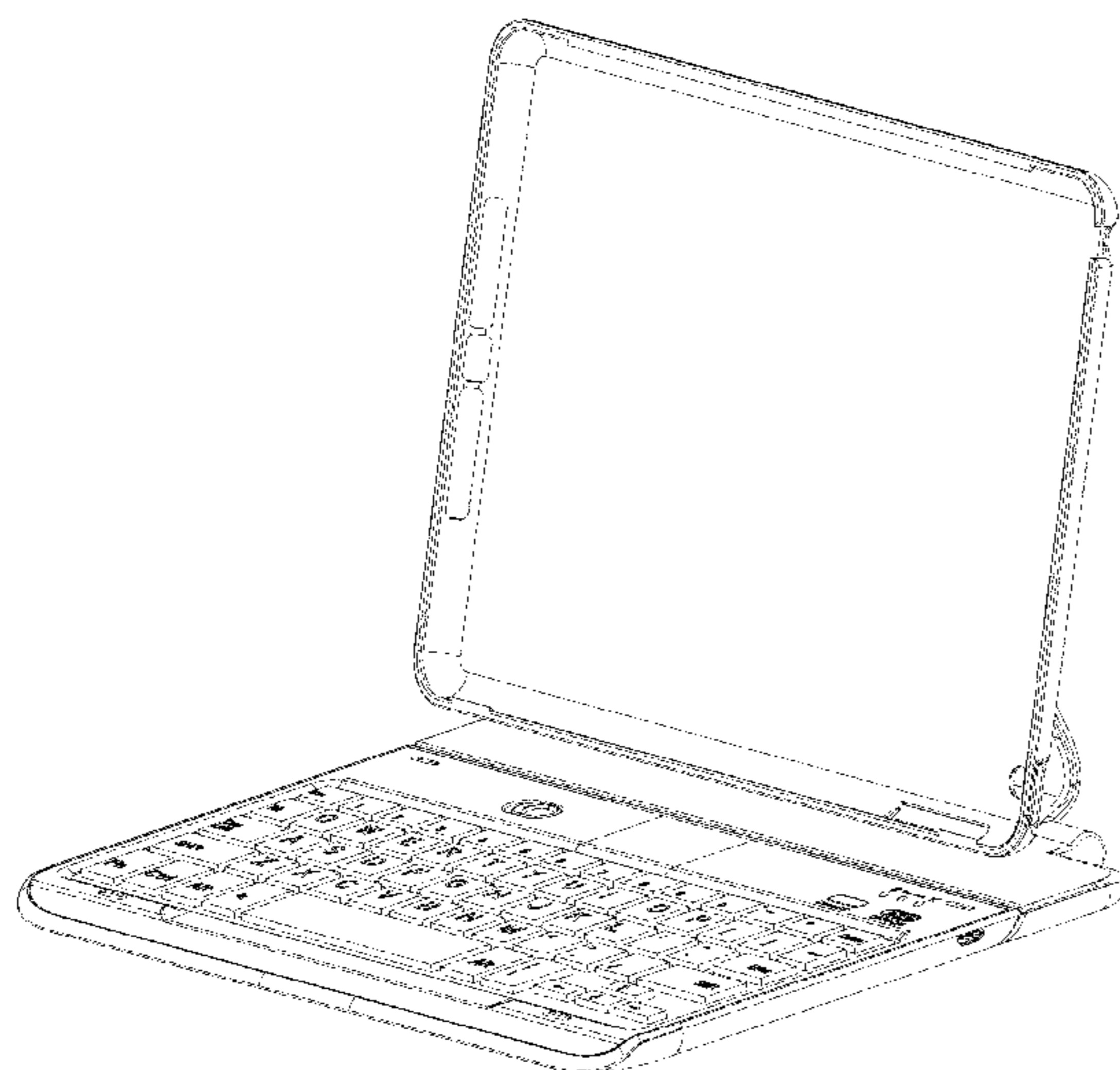
(57) **CLAIM**

The ornamental design for a stand and keyboard for tablet computer, as shown and described.

DESCRIPTION

FIG. 1 is a first perspective view of a stand and keyboard for tablet computer in an assembled status showing my new design;
FIG. 2 is a second perspective view thereof;
FIG. 3 is a third perspective view thereof;
FIG. 4 is a fourth perspective view thereof;
FIG. 5 is a fifth perspective view of the stand and keyboard for tablet computer in a disassembled status;
FIG. 6 is a sixth perspective view of the stand and keyboard for tablet computer in a disassembled status;
FIG. 7 is a seventh perspective view of the stand and keyboard for tablet computer in a disassembled status; and,
FIG. 8 is an eighth perspective view of the stand and keyboard for tablet computer in a disassembled status.

1 Claim, 8 Drawing Sheets



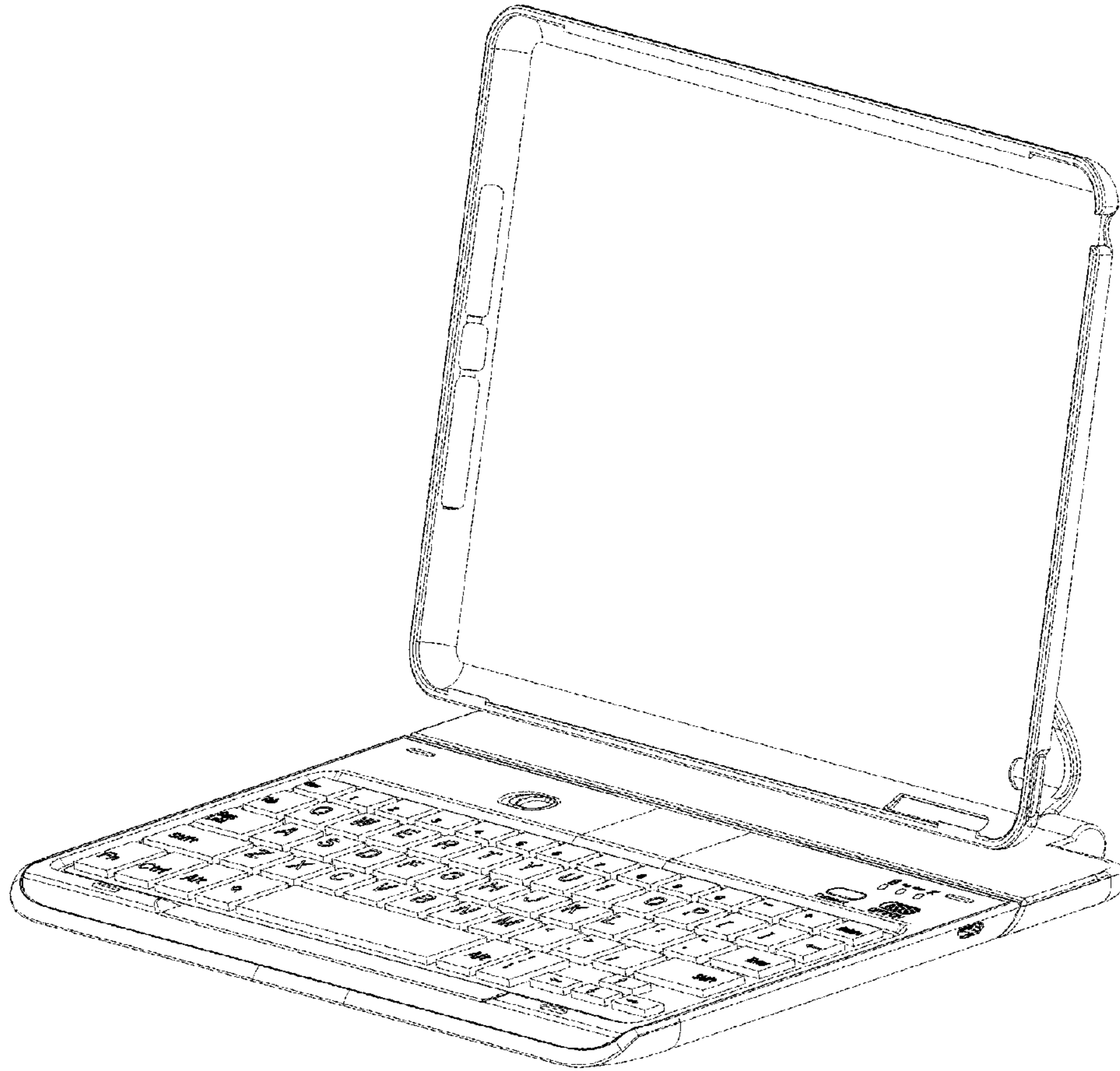


Fig. 1



Fig. 2

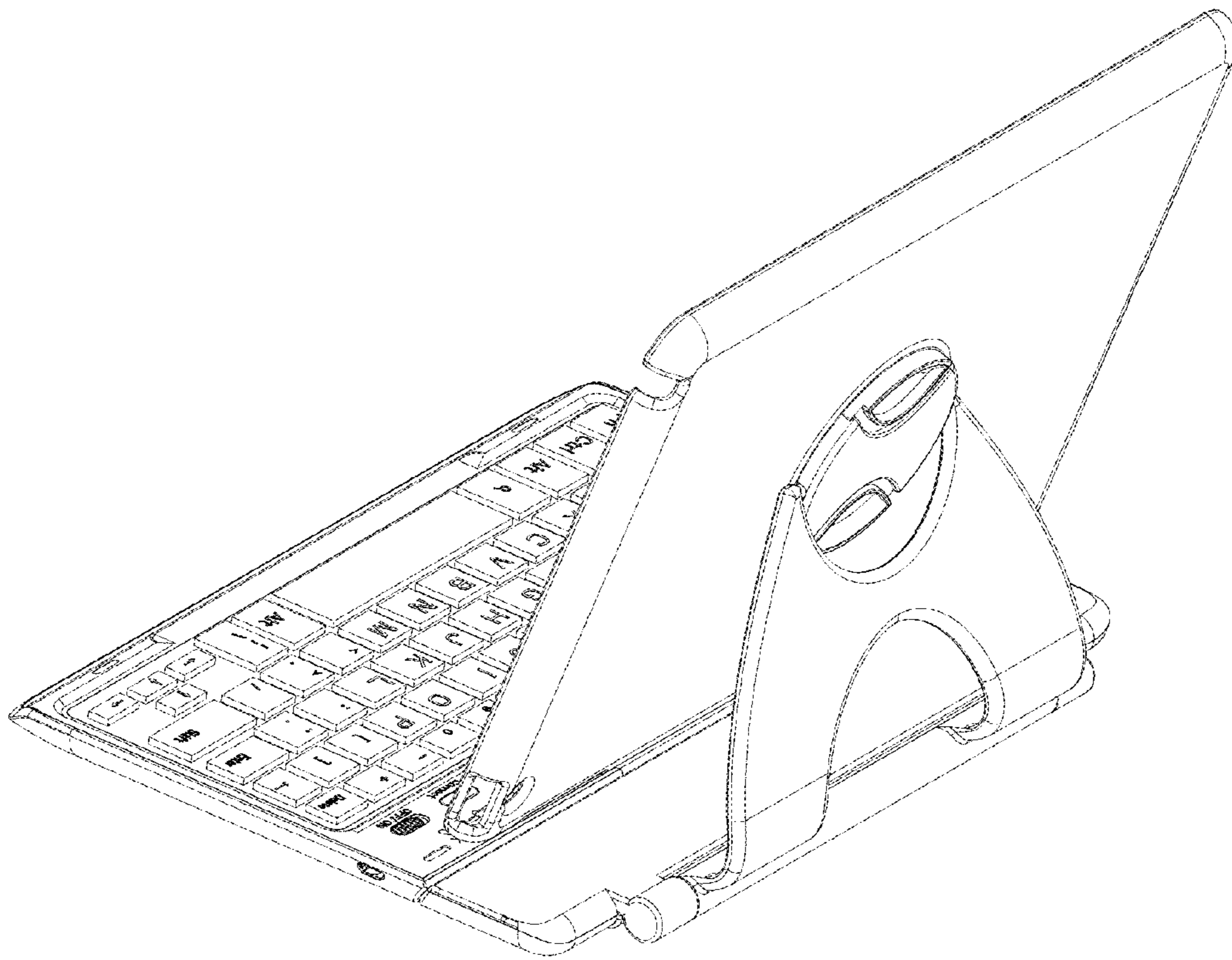


Fig. 3

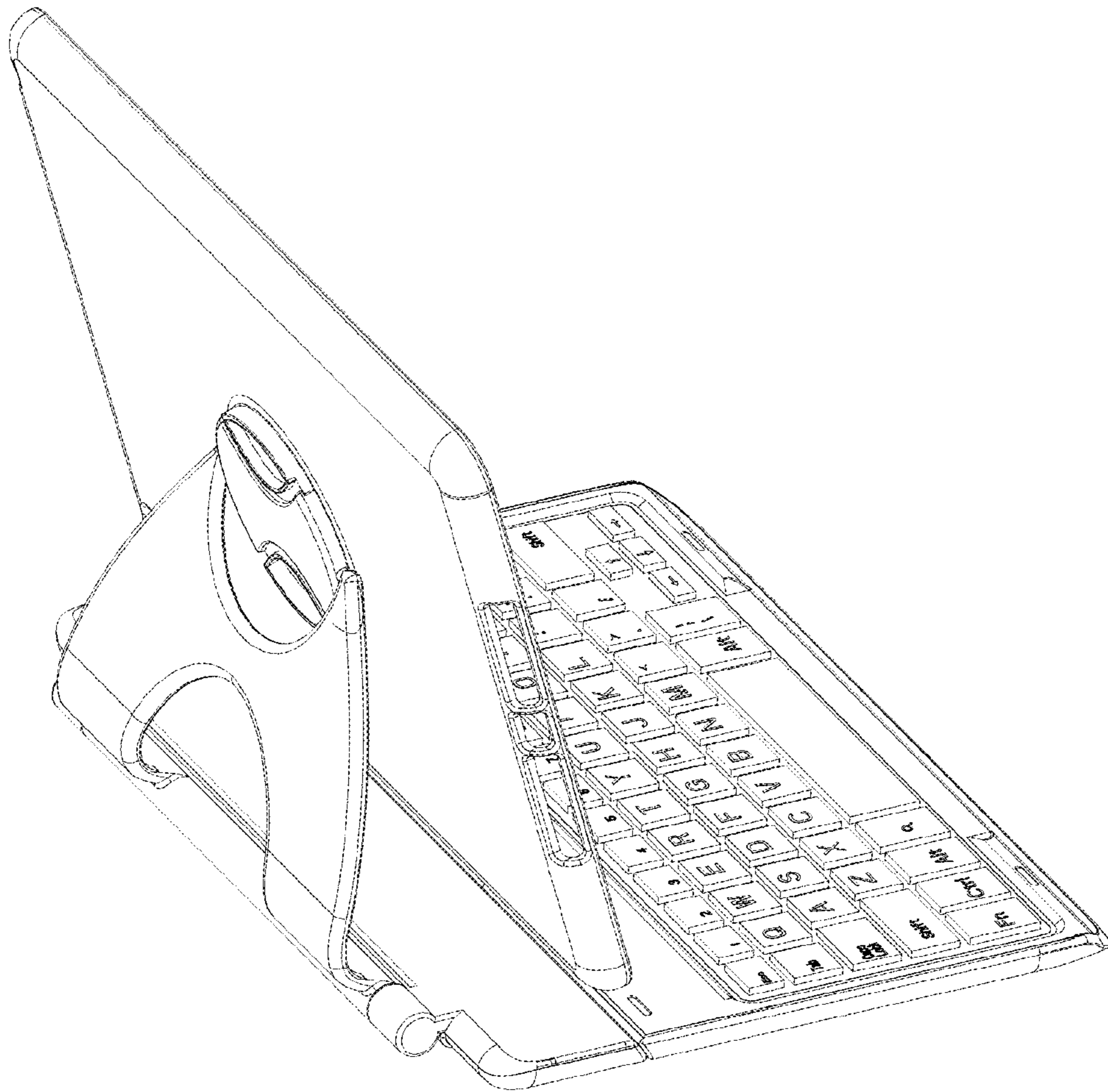


Fig. 4

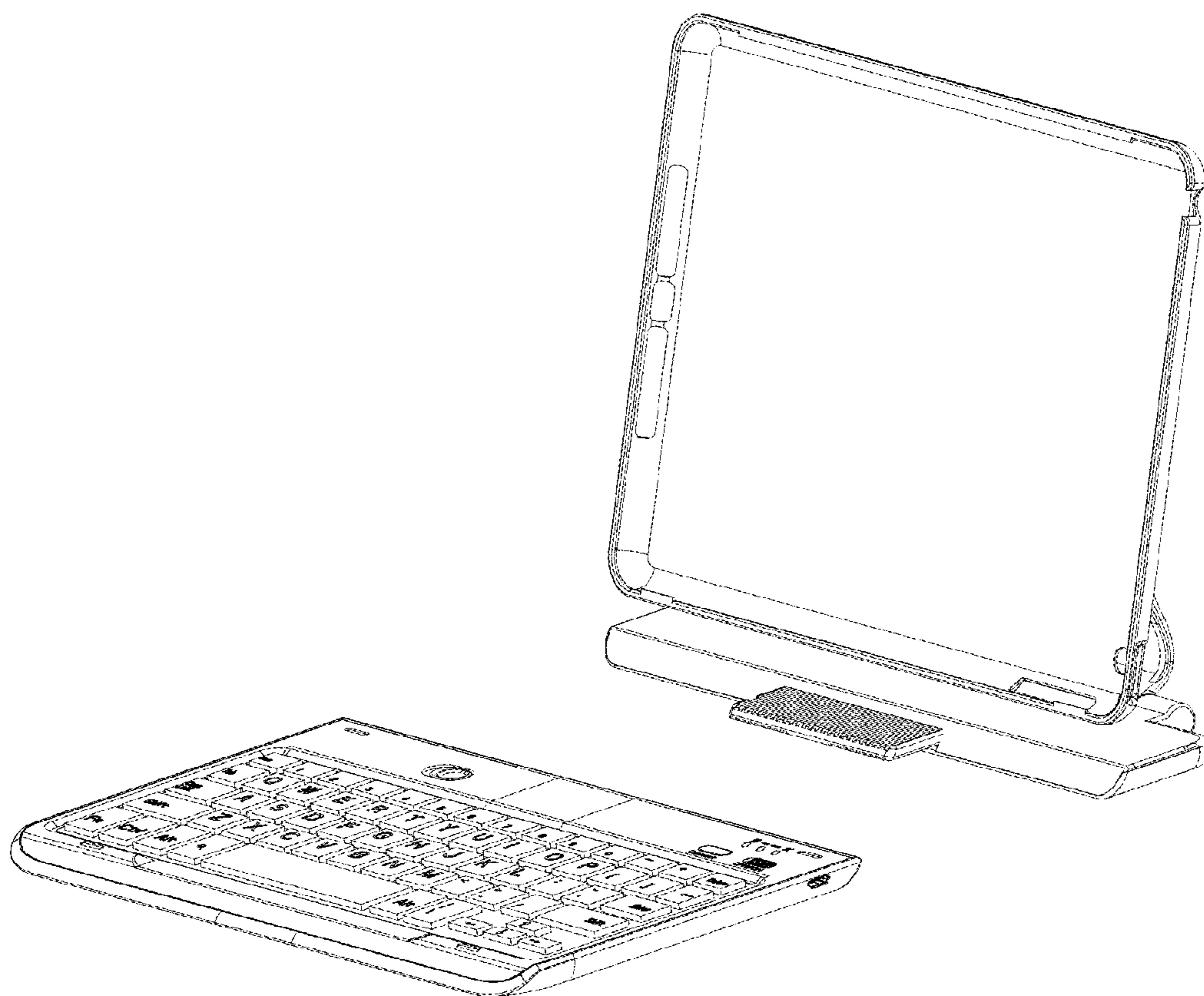


Fig. 5

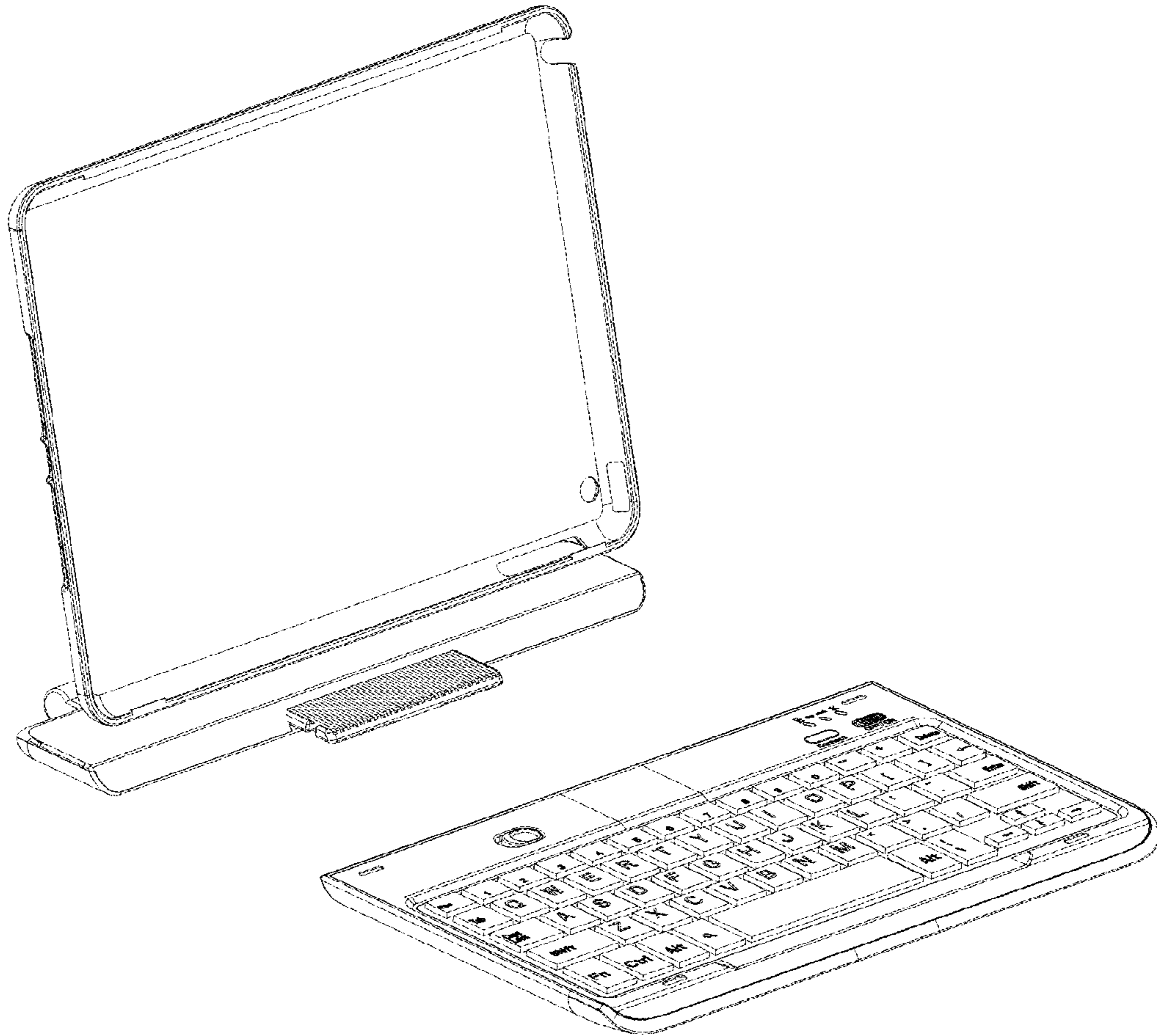


Fig. 6

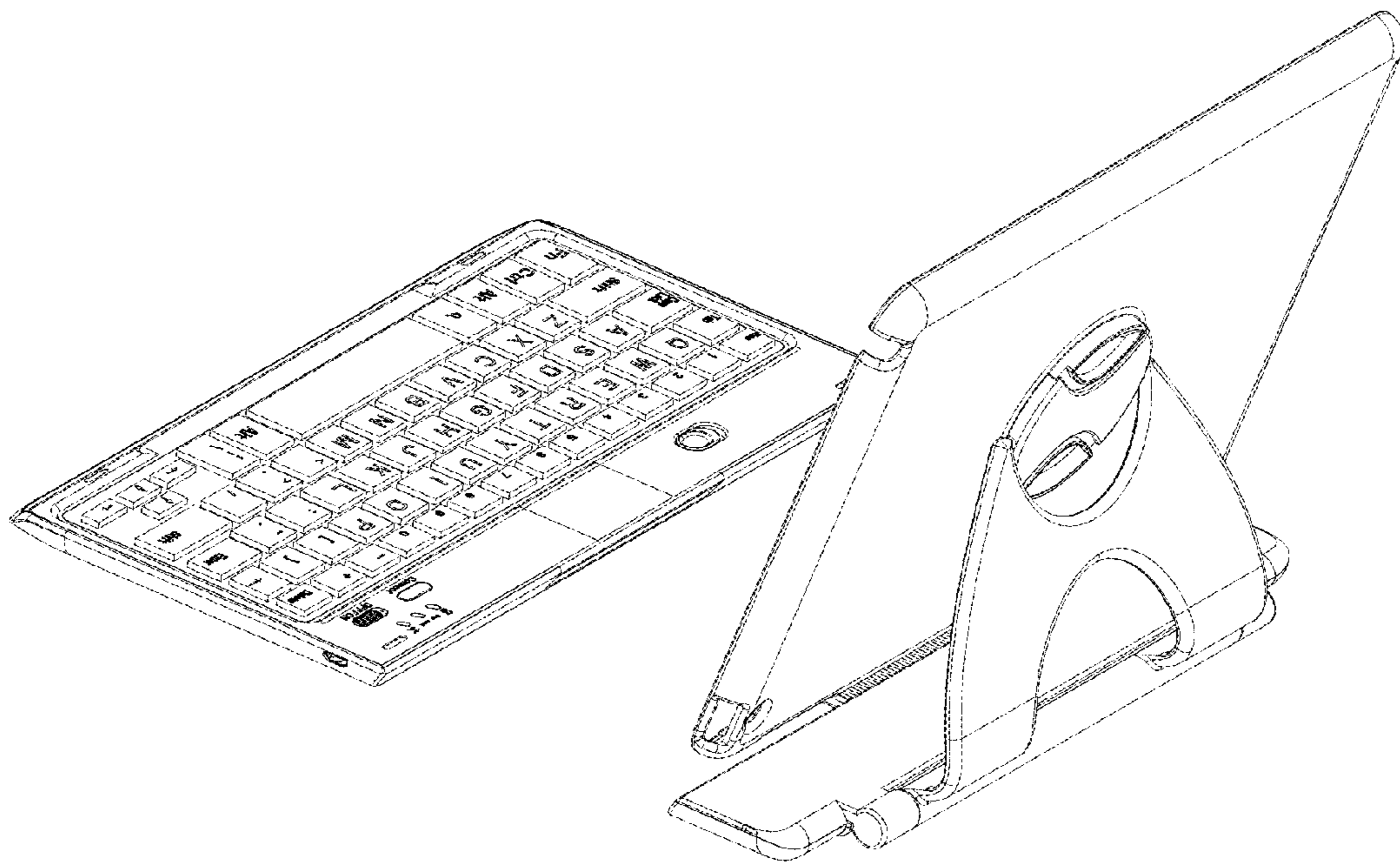


Fig. 7

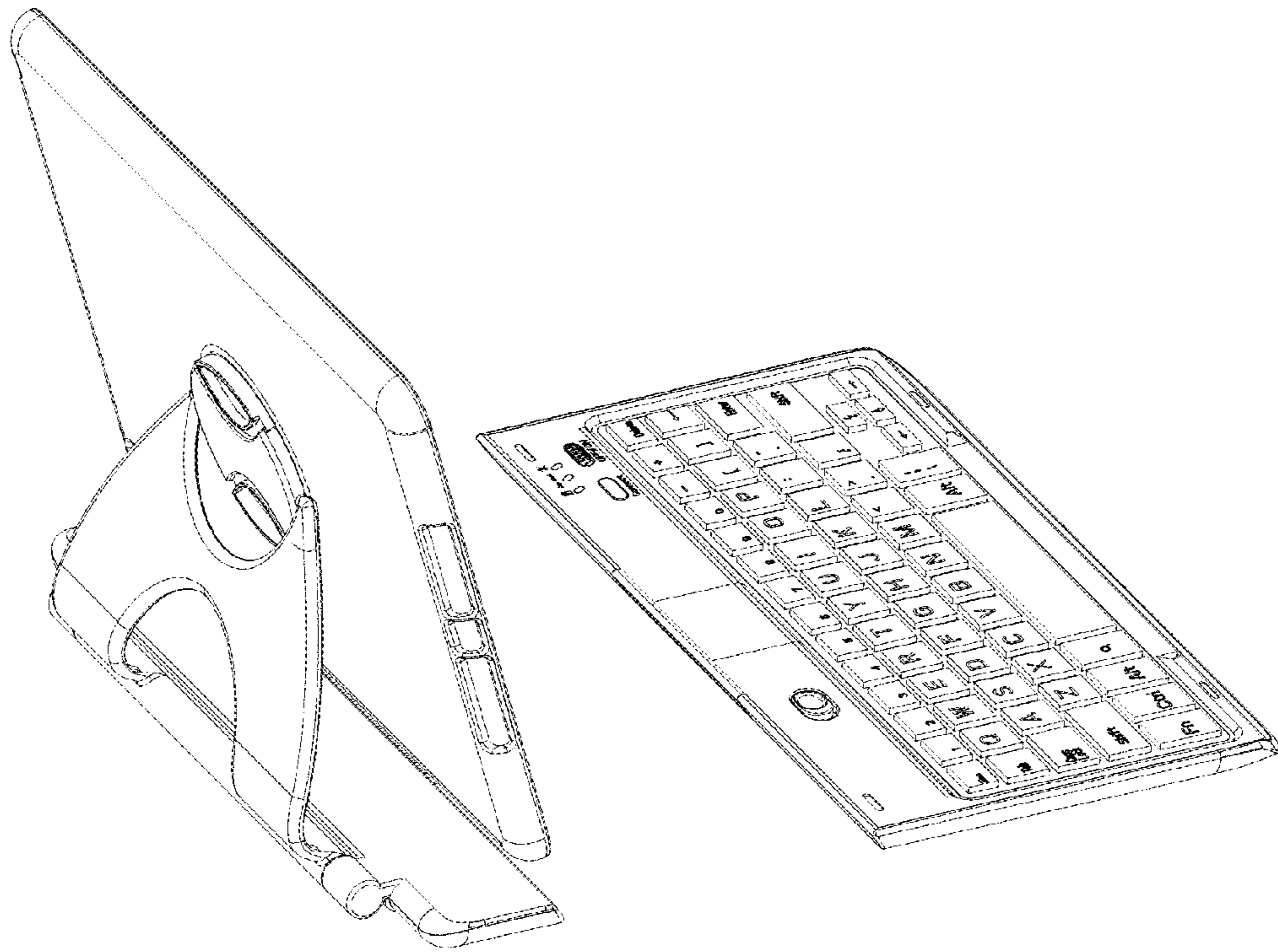


Fig. 8