



US00D701510S

(12) **United States Design Patent**  
**Brisbin**

(10) **Patent No.:** **US D701,510 S**  
(45) **Date of Patent:** **\*\* Mar. 25, 2014**

(54) **STAND FOR PLANAR ARTICLE**  
(71) Applicant: **Brian G. Brisbin**, Toronto (CA)  
(72) Inventor: **Brian G. Brisbin**, Toronto (CA)  
(\*\*) Term: **14 Years**  
(21) Appl. No.: **29/439,588**  
(22) Filed: **Dec. 12, 2012**

(30) **Foreign Application Priority Data**  
Jun. 12, 2012 (CA) ..... 146076  
(51) **LOC (10) Cl.** ..... **08-07**  
(52) **U.S. Cl.**  
USPC ..... **D14/447**  
(58) **Field of Classification Search**  
USPC ..... D14/447, 451, 457, 432, 434, 439, 440,  
D14/217, 238.1, 250, 251, 253; D6/406.1,  
D6/406.2, 406.3, 406.4, 406.5, 406.6;  
D12/415; D13/108, 110; D8/363;  
D21/333; 248/917-924, 133, 136, 139,  
248/150, 176.1, 188.6; 361/679.09, 679.21,  
361/679.22, 679.24, 679.26, 679.27,  
361/679.28, 679.3, 679.55, 679.56, 709  
See application file for complete search history.

(56) **References Cited**  
U.S. PATENT DOCUMENTS  
D589,036 S \* 3/2009 Unsworth ..... D14/239  
D598,919 S \* 8/2009 Takemasa et al. .... D14/432  
D637,187 S \* 5/2011 Burns ..... D14/253  
D652,044 S \* 1/2012 Pajerski et al. .... D14/447  
D664,602 S \* 7/2012 Chiu et al. .... D21/333

D669,482 S \* 10/2012 Hu et al. .... D14/447  
D673,032 S \* 12/2012 Tak et al. .... D8/395  
D677,265 S \* 3/2013 Lu et al. .... D14/451  
D677,670 S \* 3/2013 Vizcarra et al. .... D14/447  
D687,442 S \* 8/2013 Nishimura ..... D14/447  
D689,500 S \* 9/2013 Faulk ..... D14/447  
D690,306 S \* 9/2013 Malisse et al. .... D14/447

\* cited by examiner

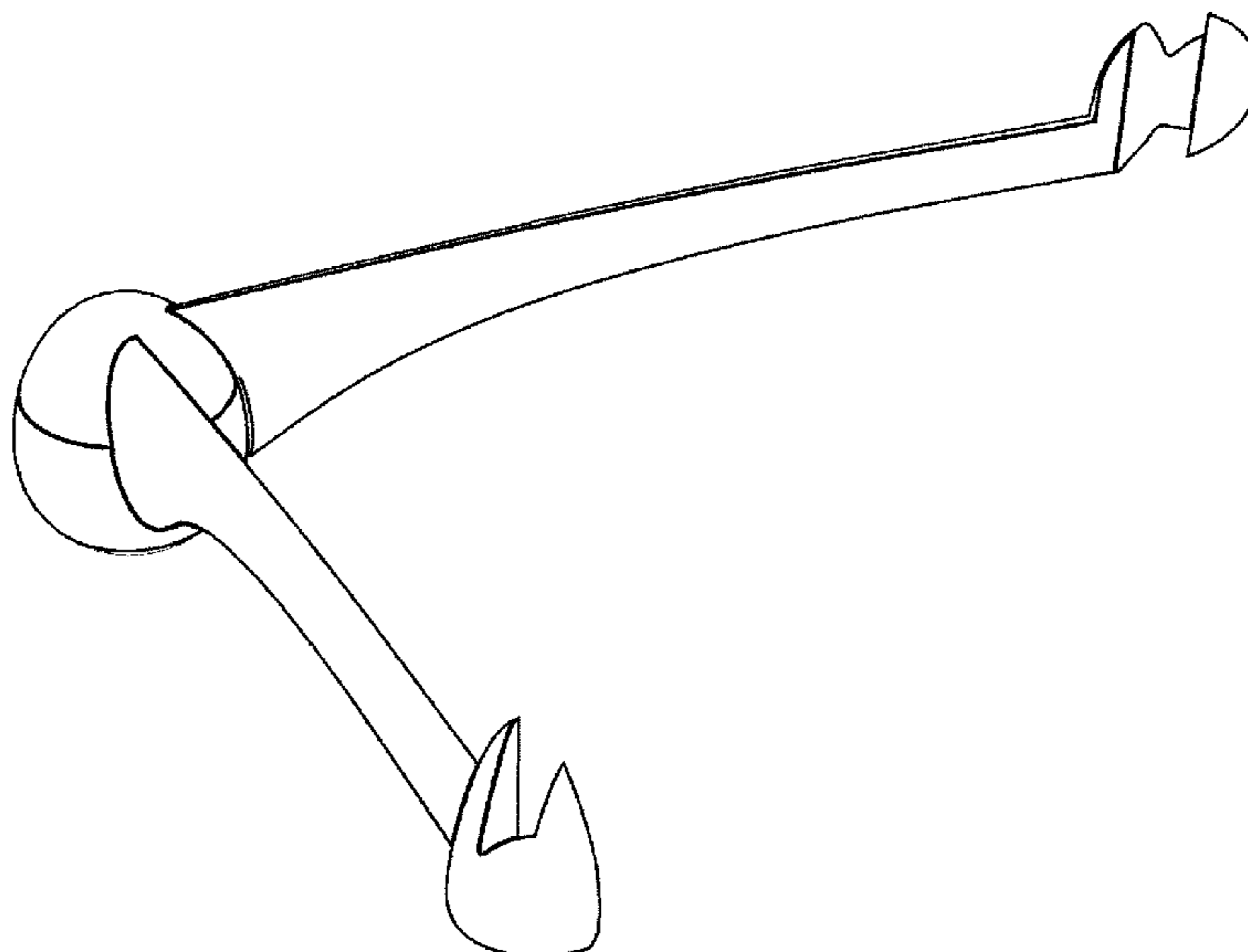
*Primary Examiner* — Angela J Lee  
(74) *Attorney, Agent, or Firm* — Gerald A. Gowan; Gowan Intellectual Property

(57) **CLAIM**  
The ornamental design for a stand for planar article, as shown and described.

**DESCRIPTION**

FIG. 1 is a perspective view of the stand for planar article of the present design;  
FIG. 2 is a top view thereof;  
FIG. 3 is a side view with the opposite side being a mirror image thereof;  
FIG. 4 is a bottom view thereof;  
FIG. 5 is a front view thereof;  
FIG. 6 is a back view thereof;  
FIG. 7 is a perspective view with planar article in landscape orientation;  
FIG. 8 is a perspective view with planar article in portrait orientation;  
FIG. 9 is a top view of the stand for planar article in a closed position; and,  
FIG. 10 is a bottom view of the stand for planar article in a closed position.  
The planar article shown in broken lines forms no part of the claimed design.

**1 Claim, 7 Drawing Sheets**



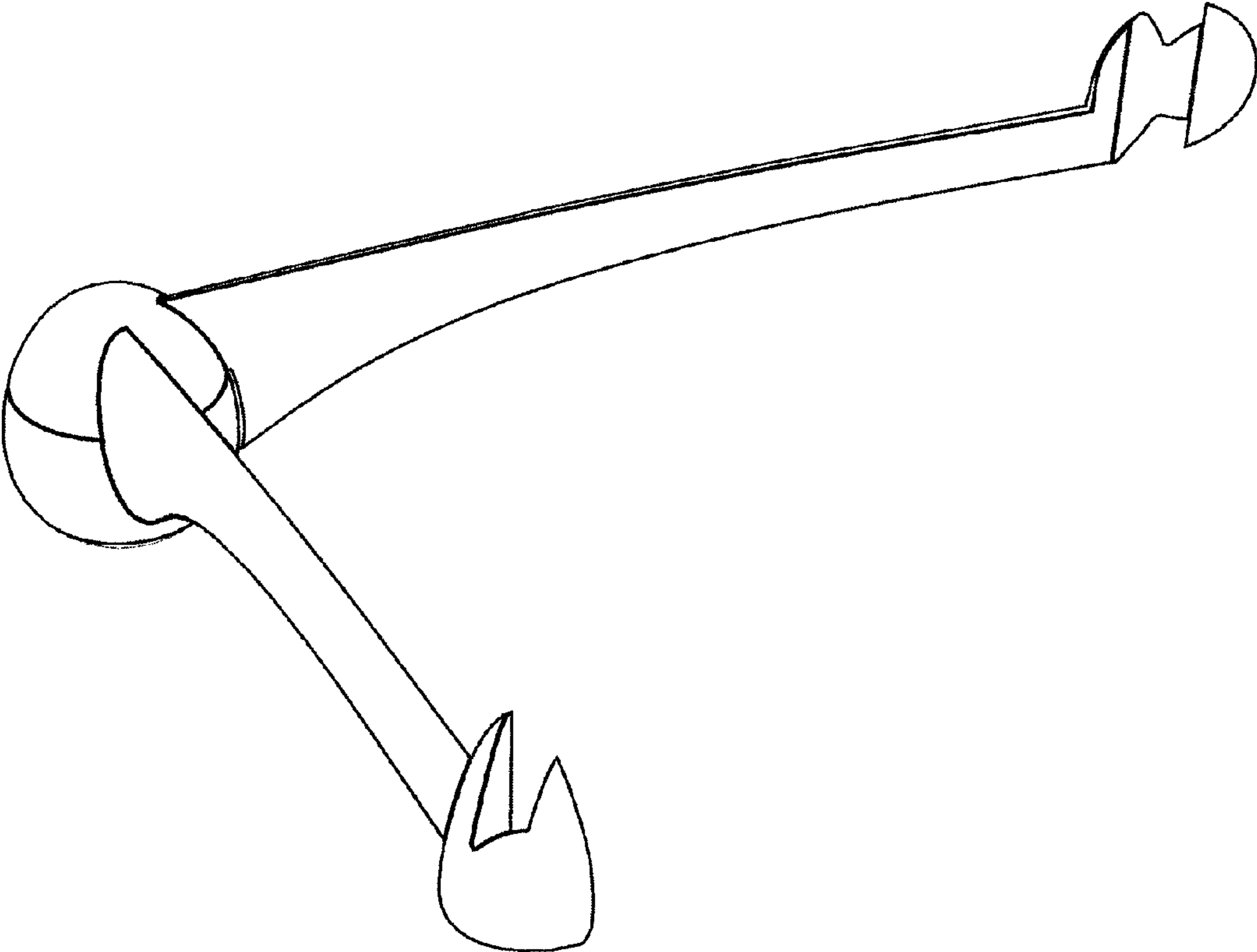


Fig. 1

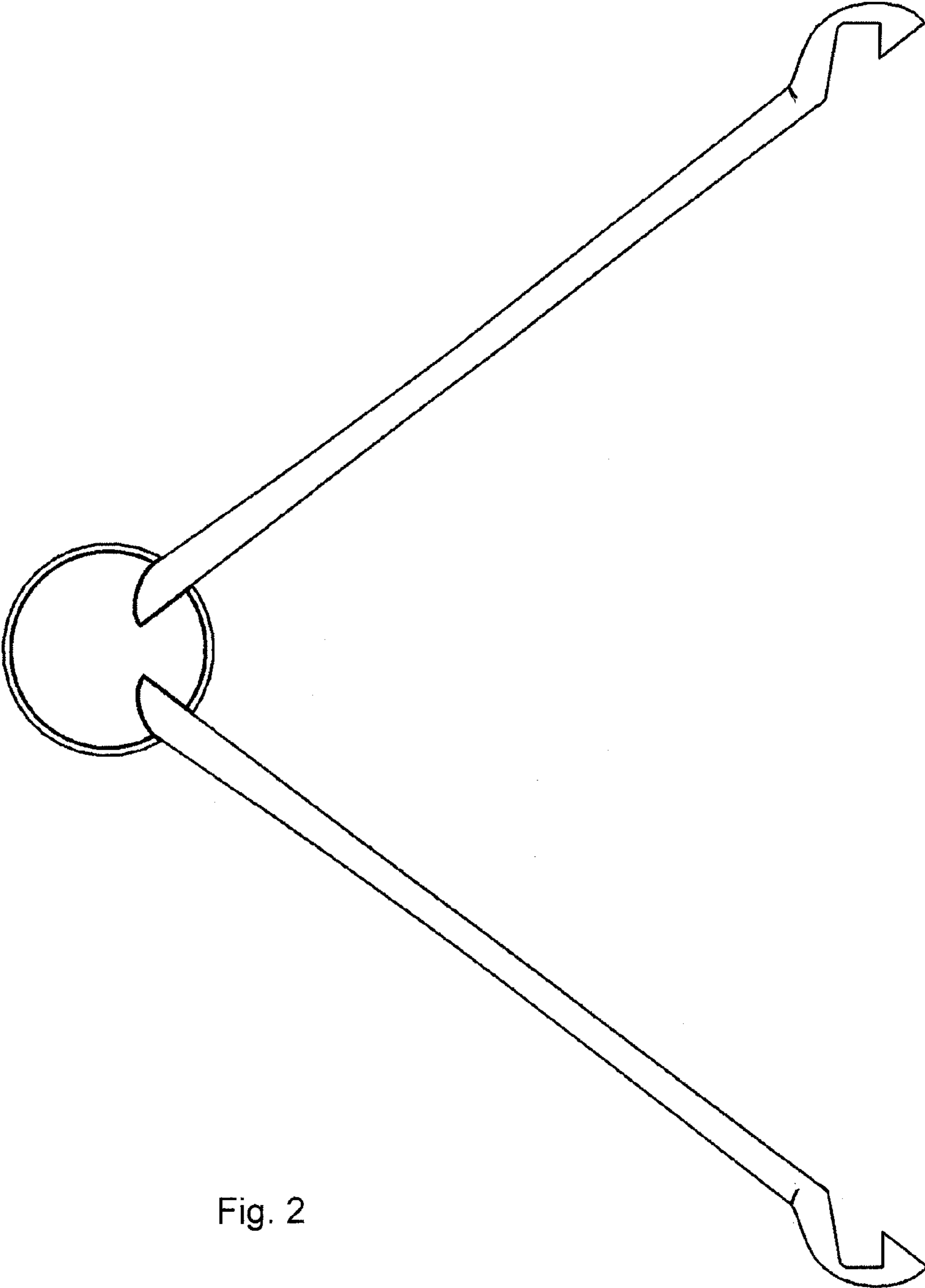


Fig. 2

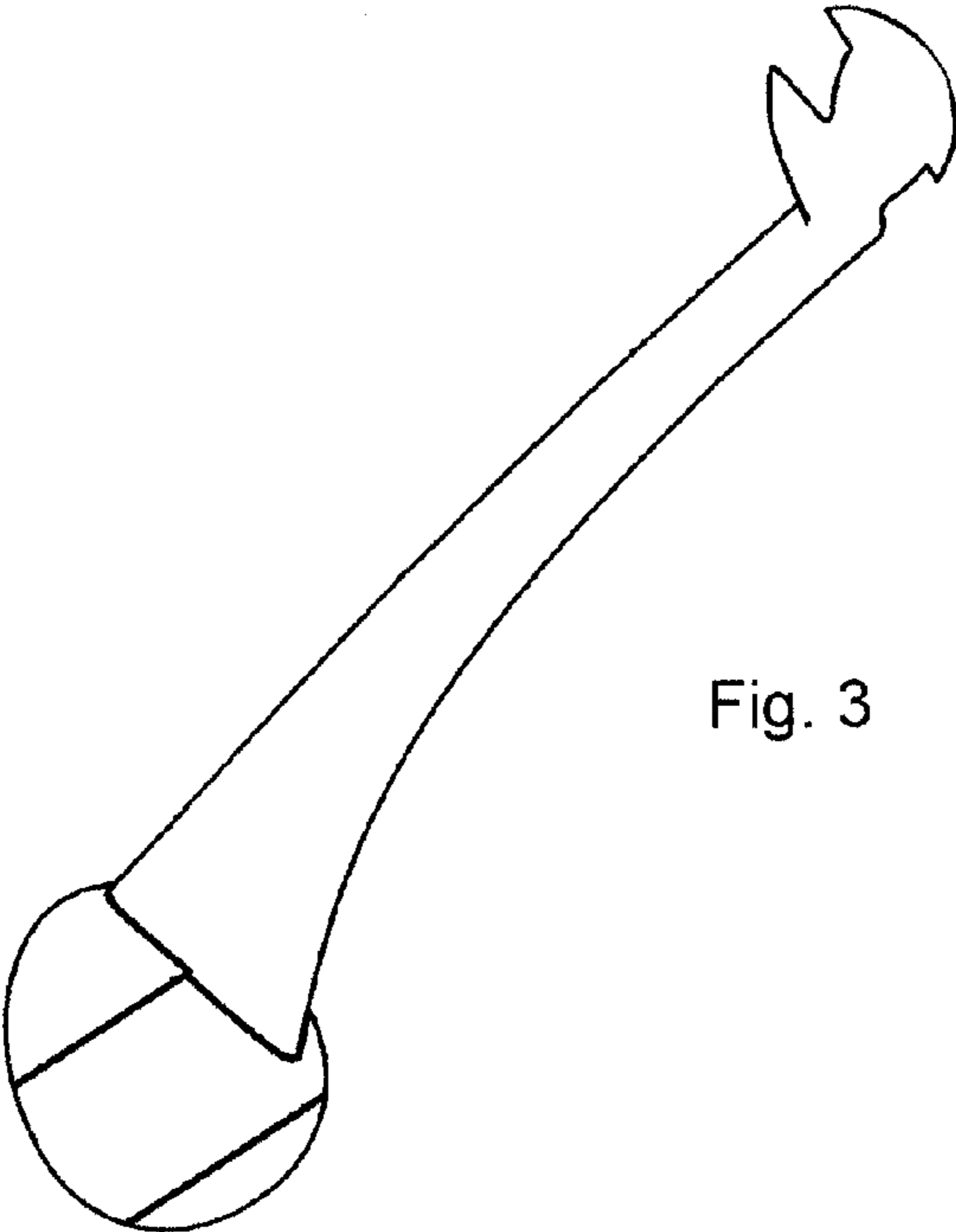


Fig. 3

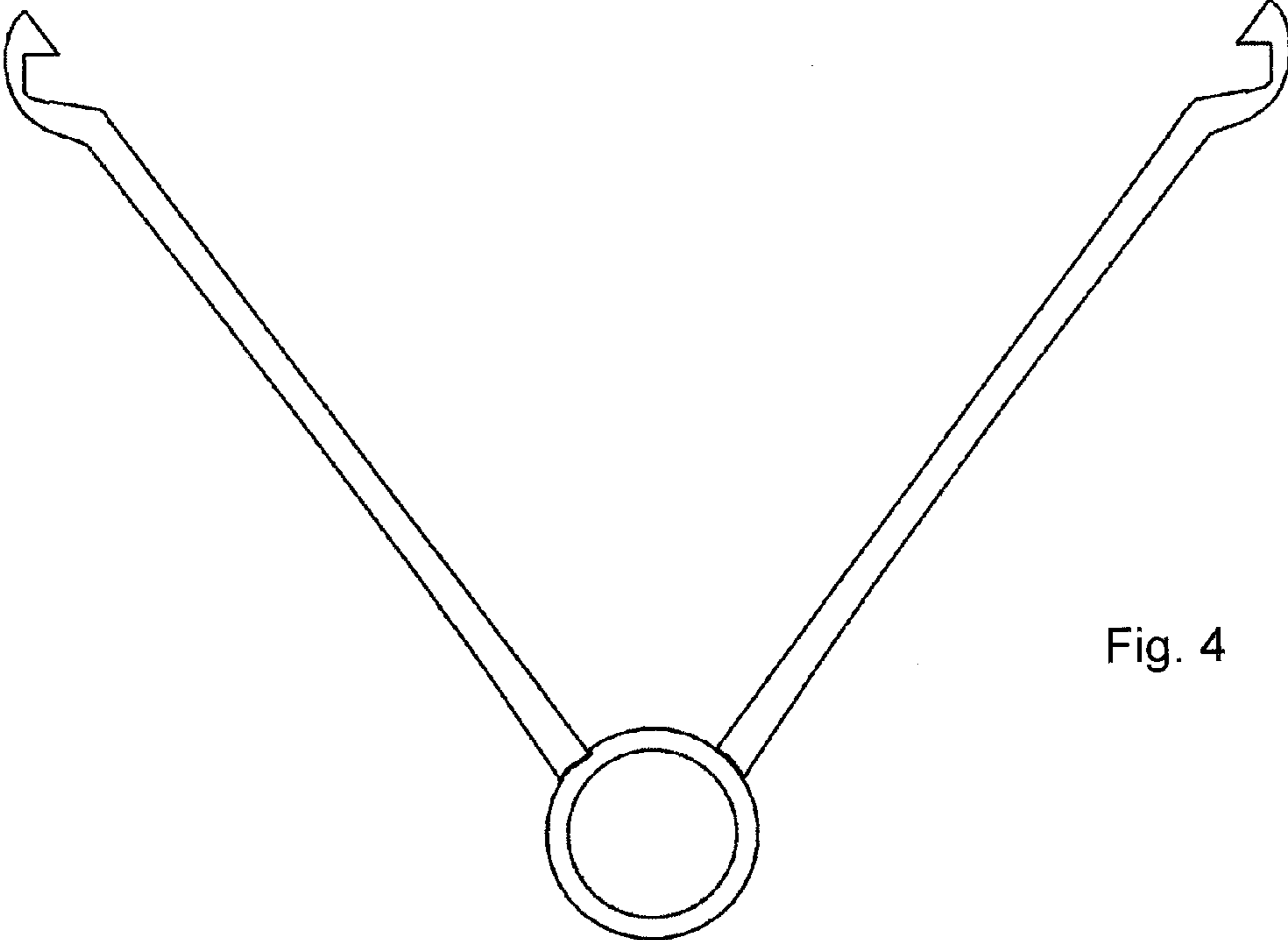


Fig. 4

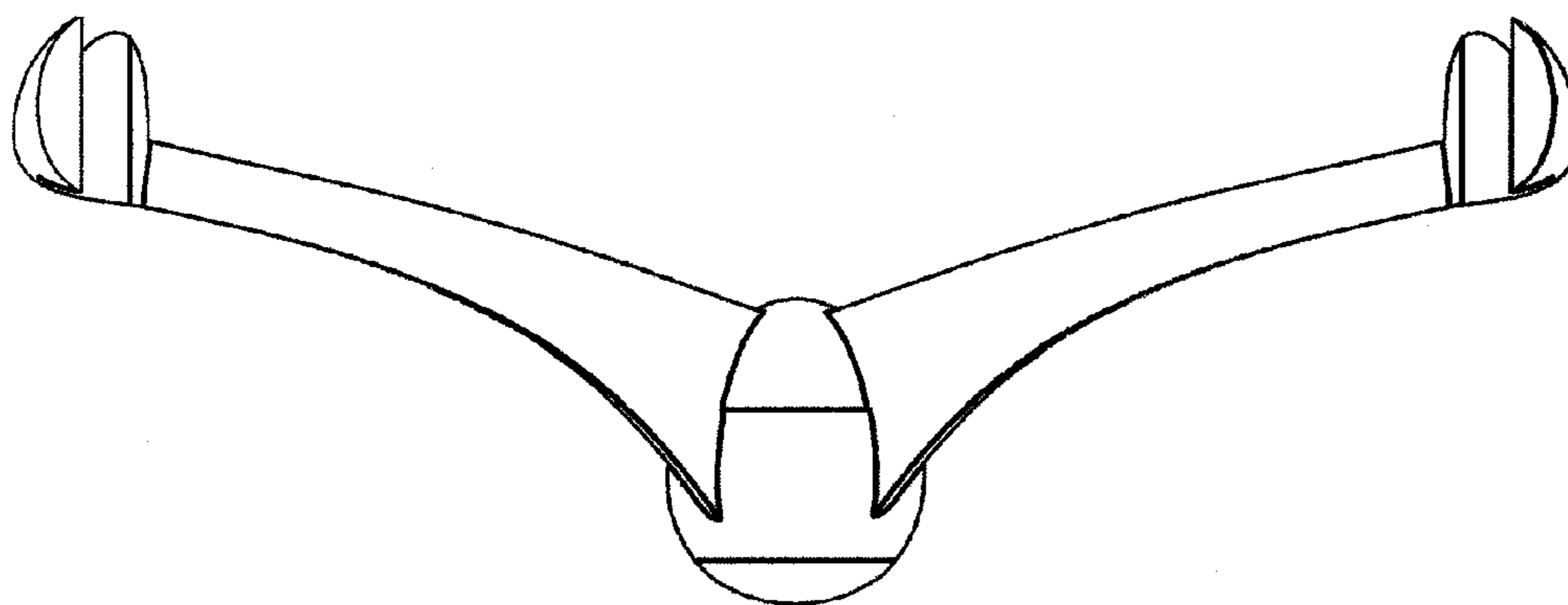


Fig. 5

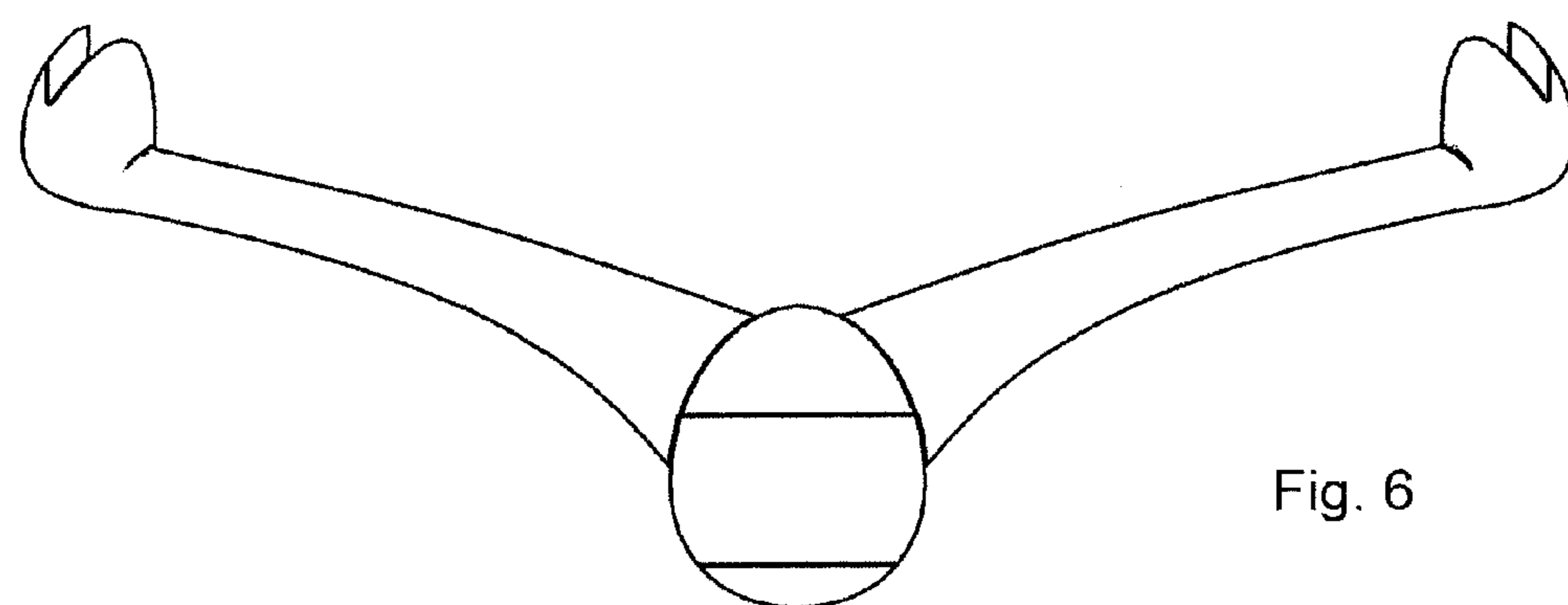


Fig. 6

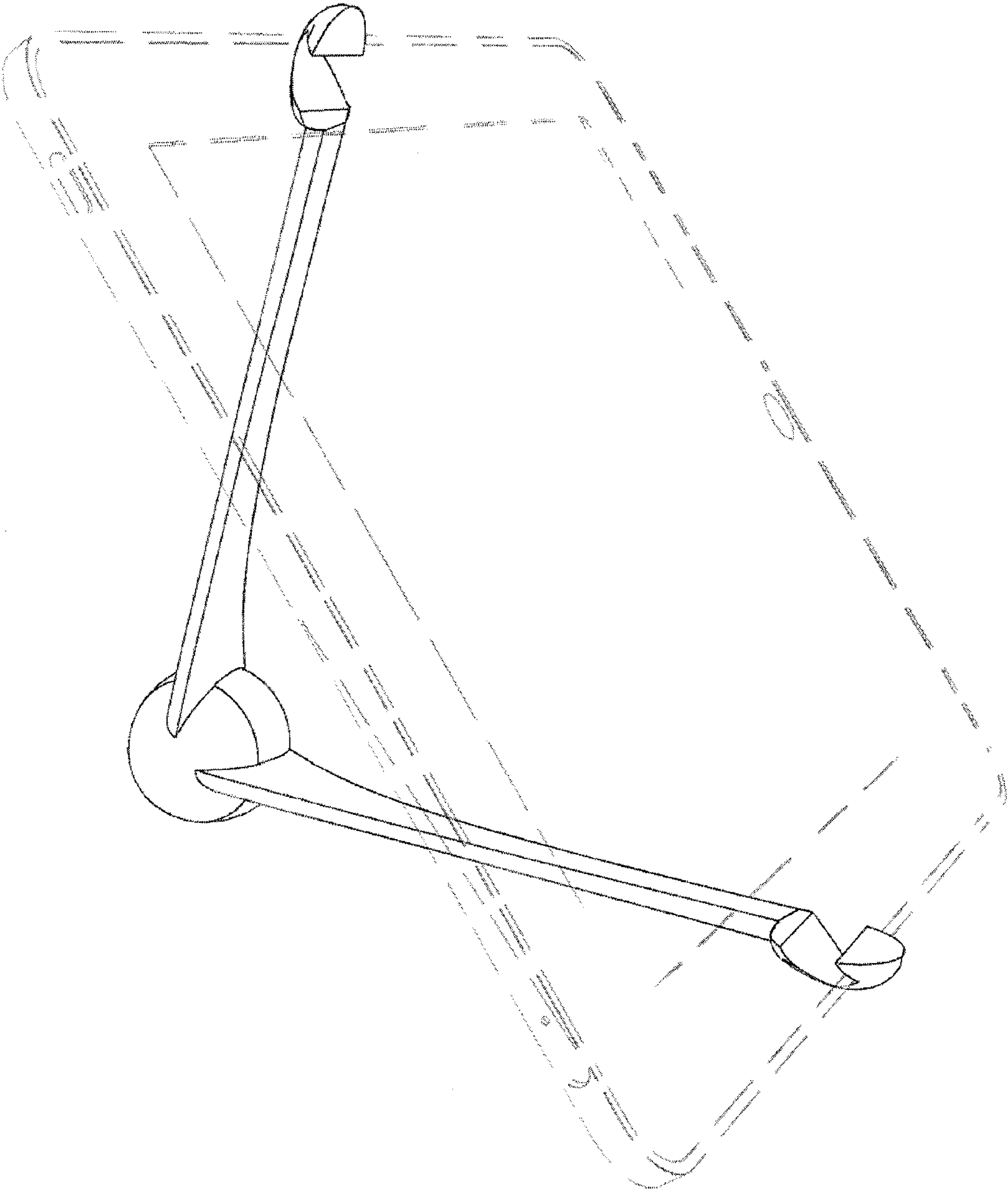


Fig. 7

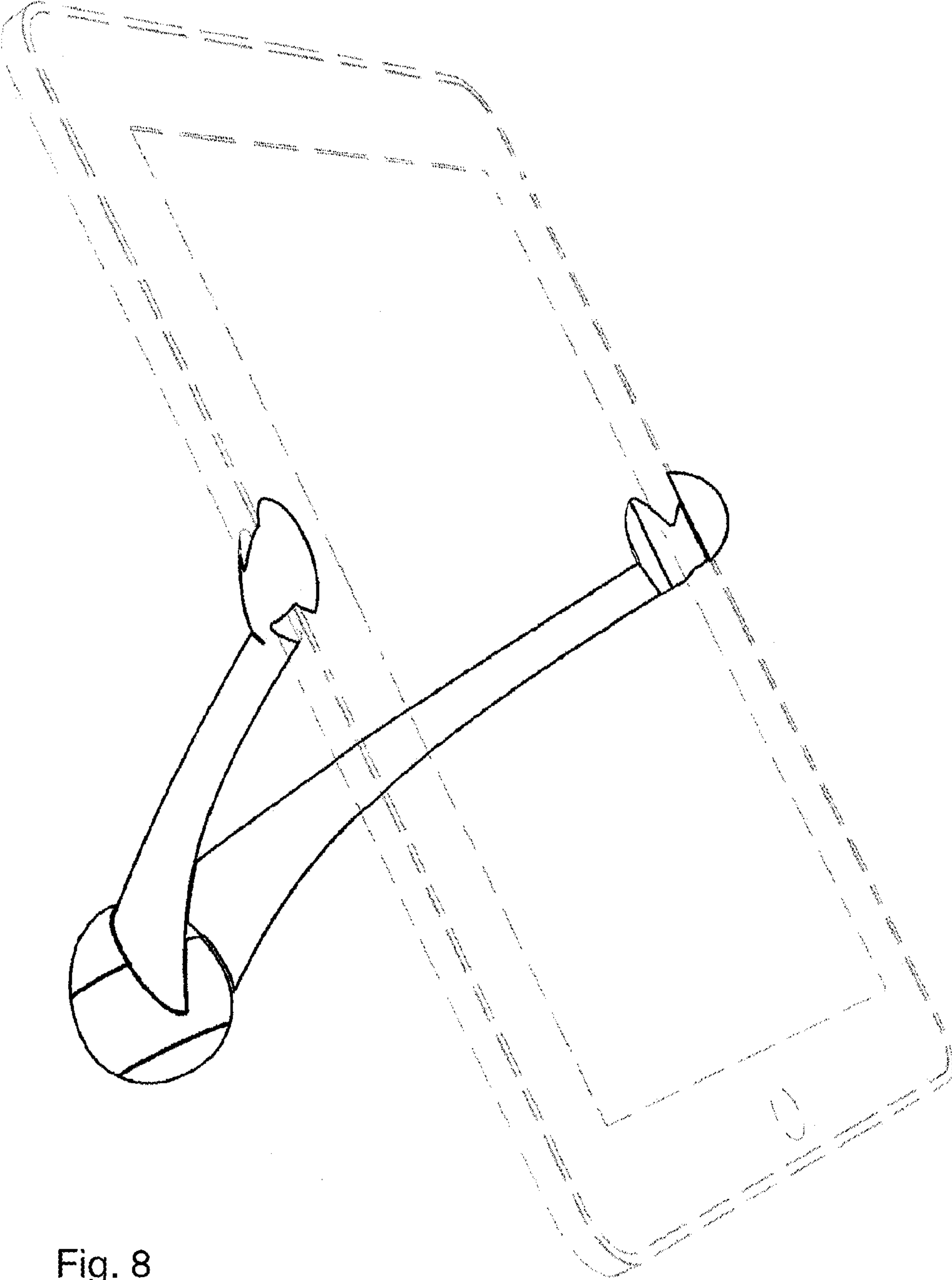


Fig. 8



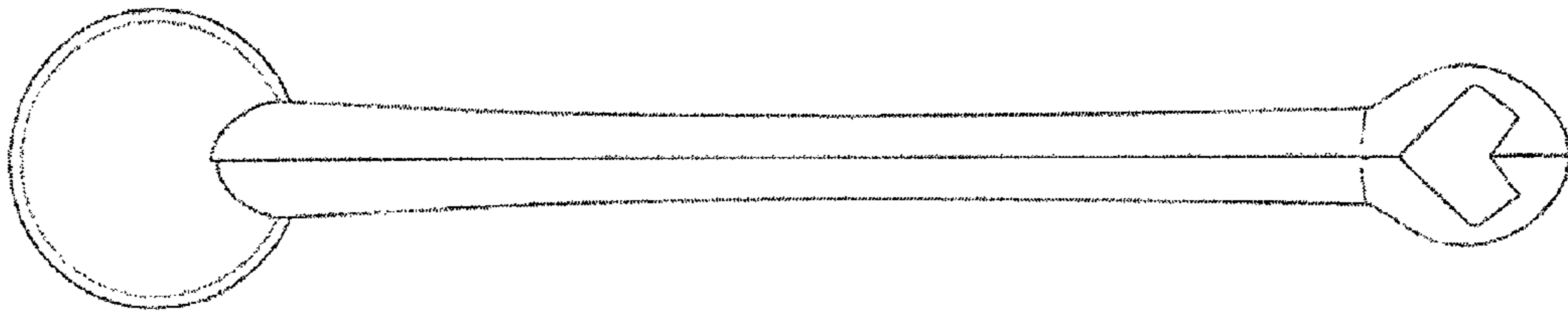


Fig. 9

Fig. 10

