



US00D701509S

(12) **United States Design Patent**
DeGiovine et al.

(10) **Patent No.:** **US D701,509 S**
(45) **Date of Patent:** **** Mar. 25, 2014**

(54) **KEYED INTERFACE CONNECTOR**

(56) **References Cited**

(71) Applicant: **Motorola Solutions, Inc.**, Schaumburg, IL (US)

(72) Inventors: **Carl DeGiovine**, Shirley, NY (US);
Sunghun Lim, Bethpage, NY (US);
Robert A. Spano, Smithtown, NY (US);
Chi-Ming Wang, Taipei (TW)

(73) Assignee: **Motorola Solutions, Inc.**, Schaumburg, IL (US)

(**) Term: **14 Years**

(21) Appl. No.: **29/462,921**

(22) Filed: **Aug. 9, 2013**

(51) **LOC (10) Cl.** **14-02**

(52) **U.S. Cl.**
USPC **D14/433**

(58) **Field of Classification Search**
USPC D14/356-358, 383-385, 420, 426, 427,
D14/432-439, 447, 453, 454, 217, 253,
D14/299; D13/107, 108, 133, 146, 147,
D13/152, 154, 156, 158, 162, 162.1, 168,
D13/173, 177, 180; 385/53, 55; 439/680,
439/578, 638; D10/80; D26/39

See application file for complete search history.

U.S. PATENT DOCUMENTS

| | | | | | | |
|----------|---|---|---------|-------------------|-------|-----------|
| D327,061 | S | * | 6/1992 | Soren et al. | | D14/138 R |
| D413,593 | S | * | 9/1999 | Suzuki et al. | | D14/399 |
| D430,119 | S | * | 8/2000 | Fekete et al. | | D14/433 |
| D435,021 | S | * | 12/2000 | Davis et al. | | D13/162 |
| D460,736 | S | * | 7/2002 | Pincek et al. | | D13/139.4 |
| D471,912 | S | * | 3/2003 | Camarota et al. | | D14/433 |
| D624,029 | S | * | 9/2010 | Panaccione et al. | | D13/180 |
| D637,330 | S | * | 5/2011 | Lee | | D26/39 |
| D648,286 | S | * | 11/2011 | Chuang | | D13/180 |
| D686,581 | S | * | 7/2013 | Lim et al. | | D13/180 |

* cited by examiner

Primary Examiner — Austin Murphy

(74) *Attorney, Agent, or Firm* — Barbara R. Doutre

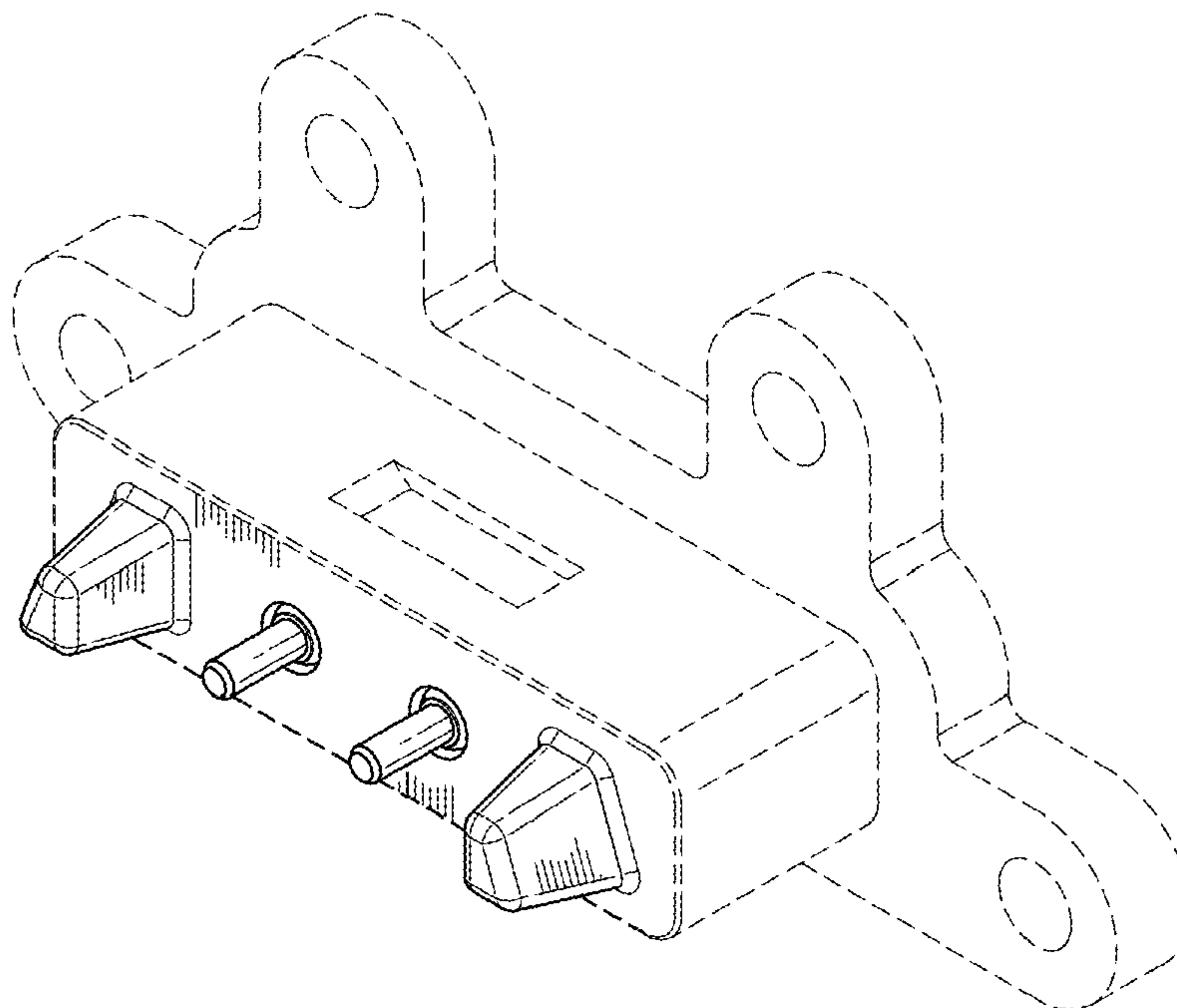
(57) **CLAIM**

The ornamental design for a keyed interface connector, as shown and described.

DESCRIPTION

FIG. 1 is a front perspective view of an ornamental design for a keyed interface connector;
FIG. 2 is a front view thereof;
FIG. 3 is a top view thereof;
FIG. 4 is a bottom view thereof.
FIG. 5 is a rear view thereof;
FIG. 6 is a first side view thereof; and,
FIG. 7 is a second side view thereof.
The broken lines shown in FIG. 1-FIG. 7 are included for the purpose of illustrating environmental elements only and form no part of the claimed design.

1 Claim, 2 Drawing Sheets



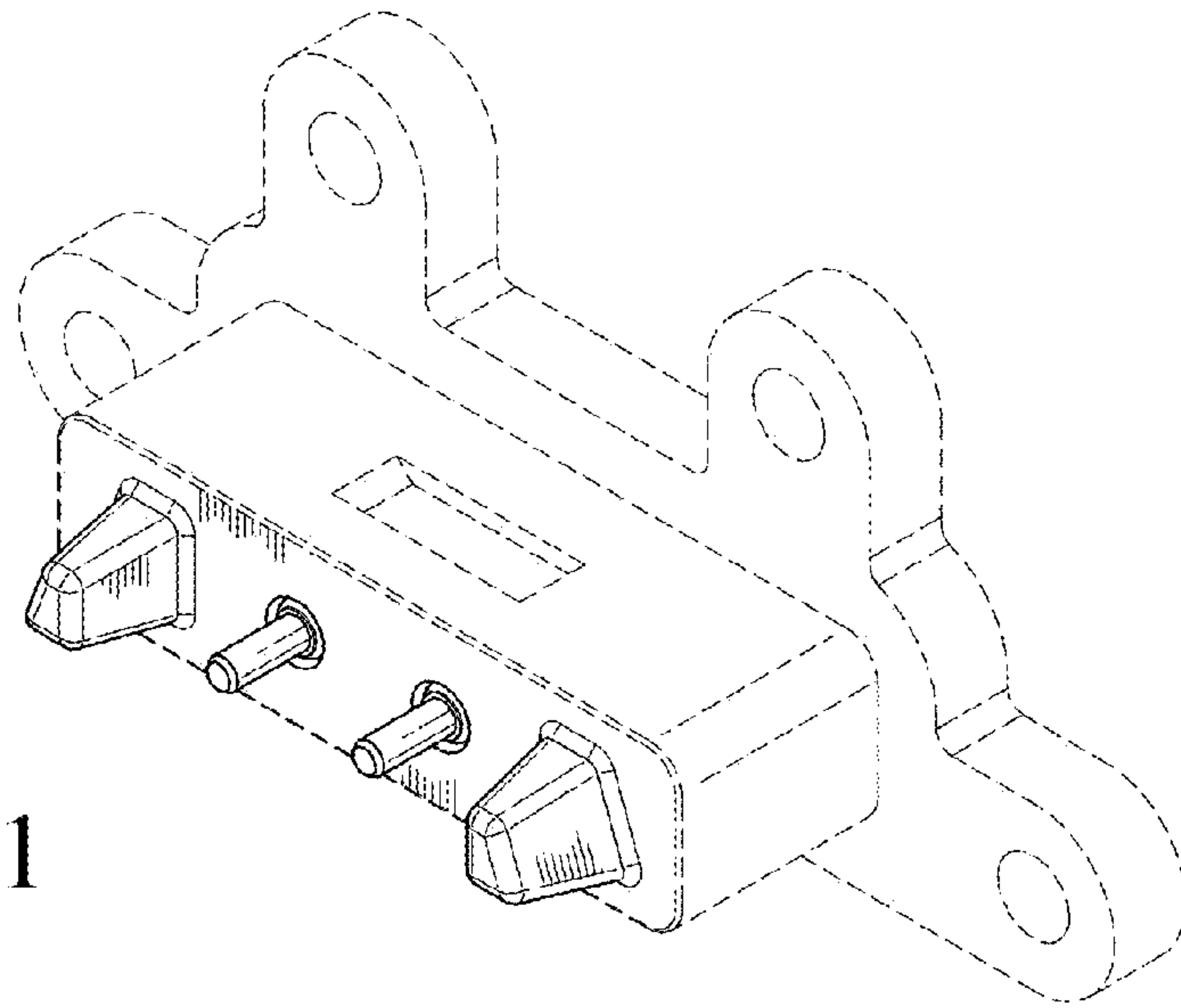


FIG. 1

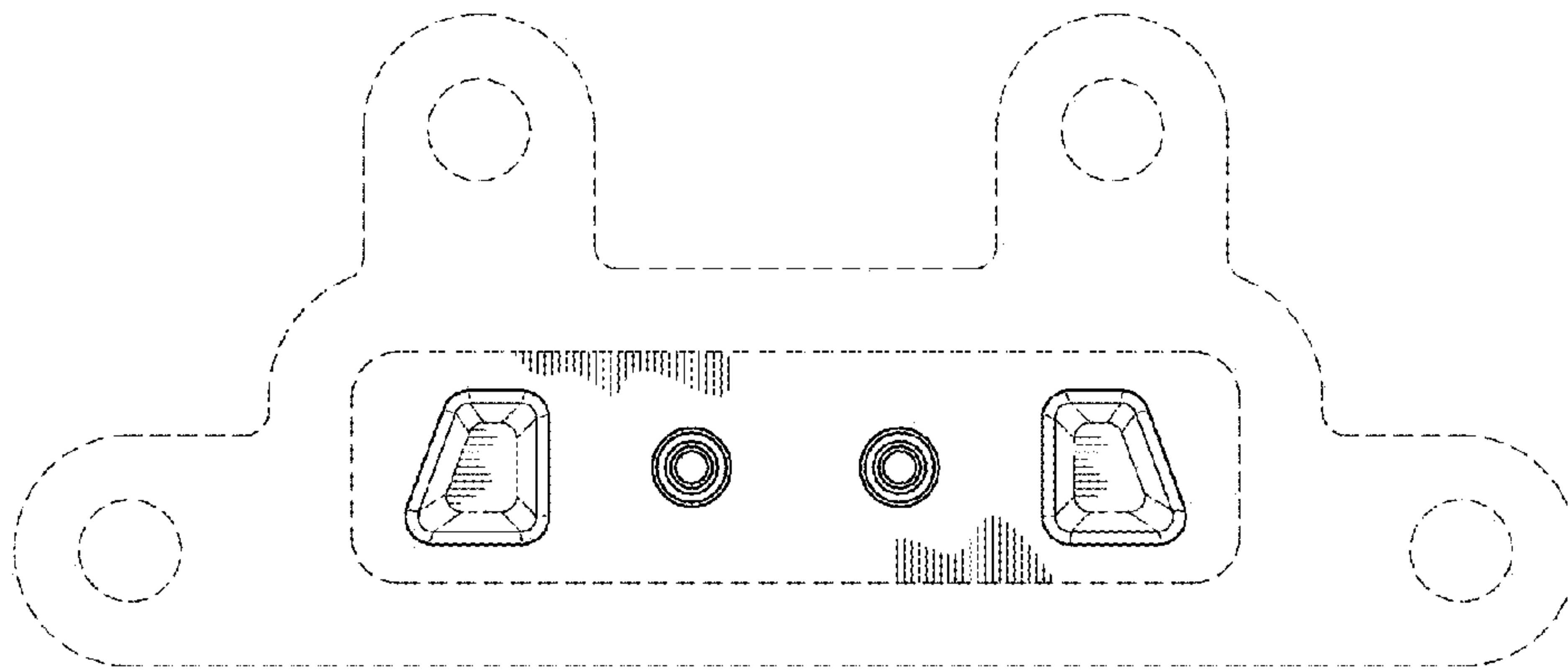


FIG. 2

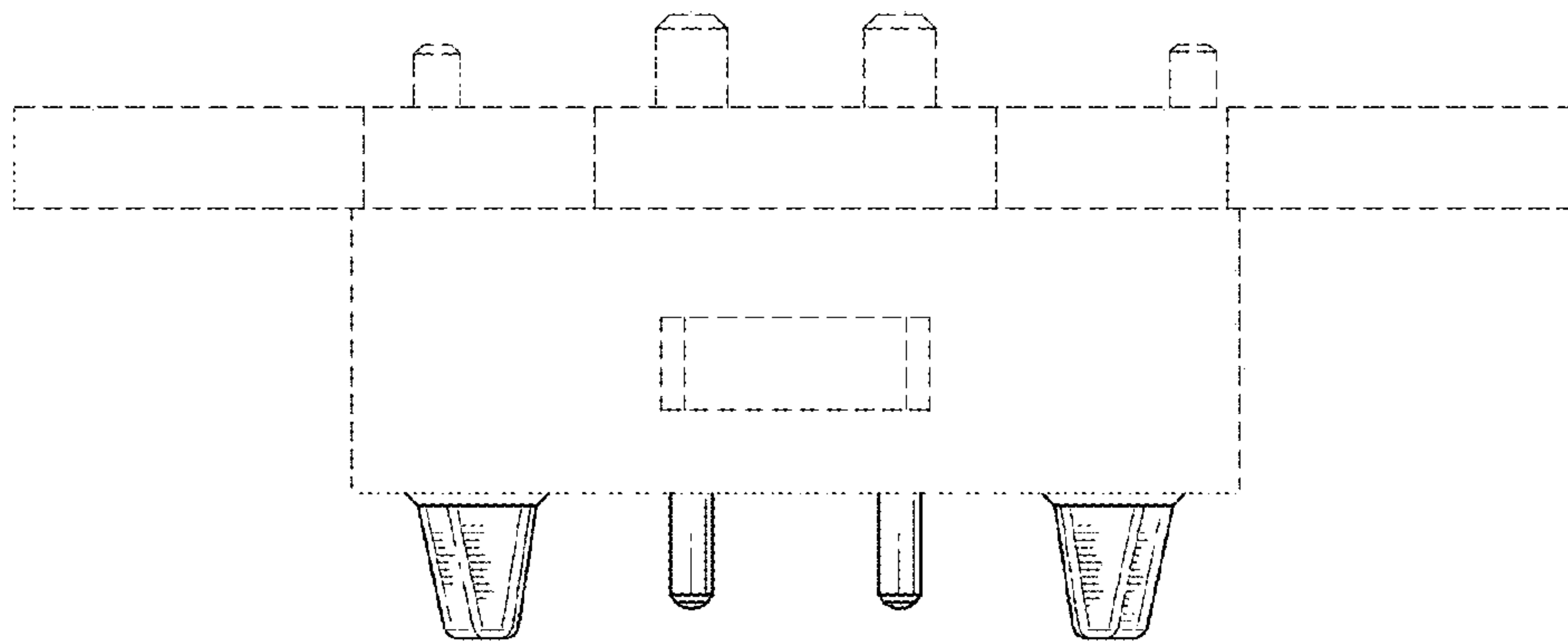


FIG. 3

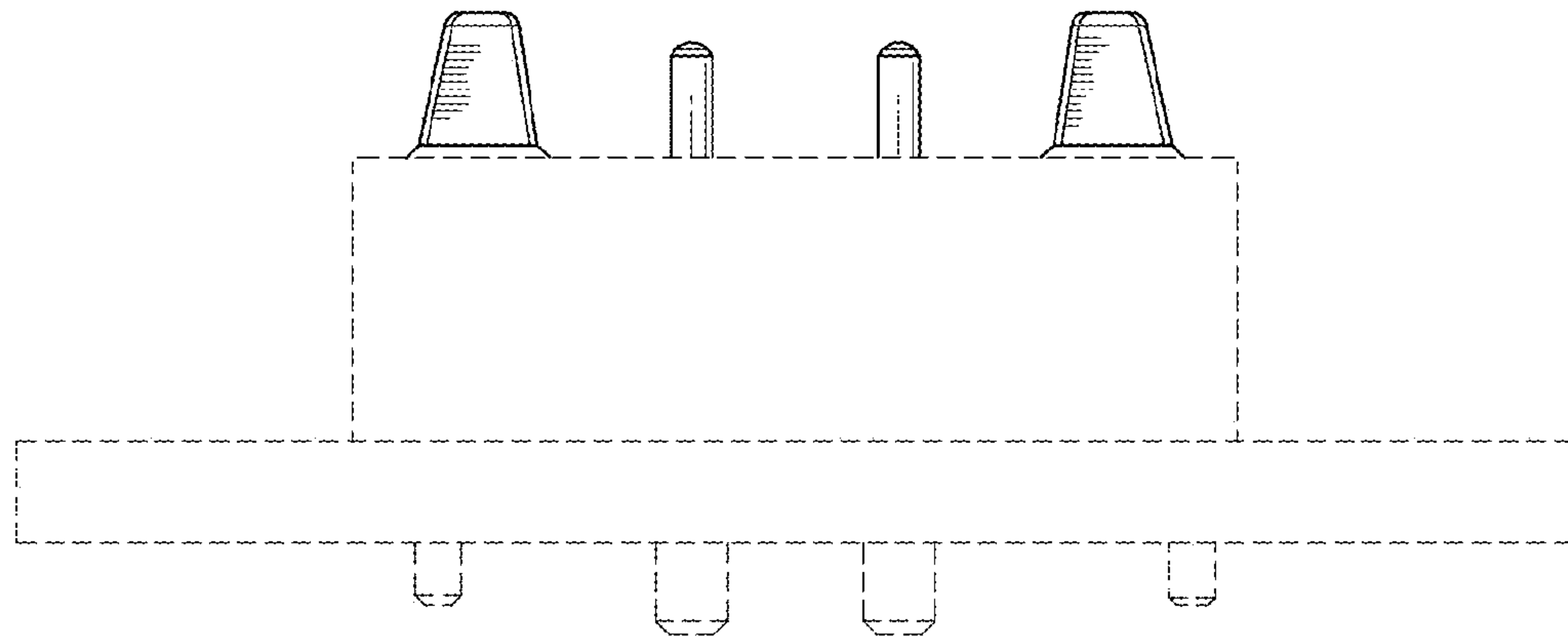


FIG. 4

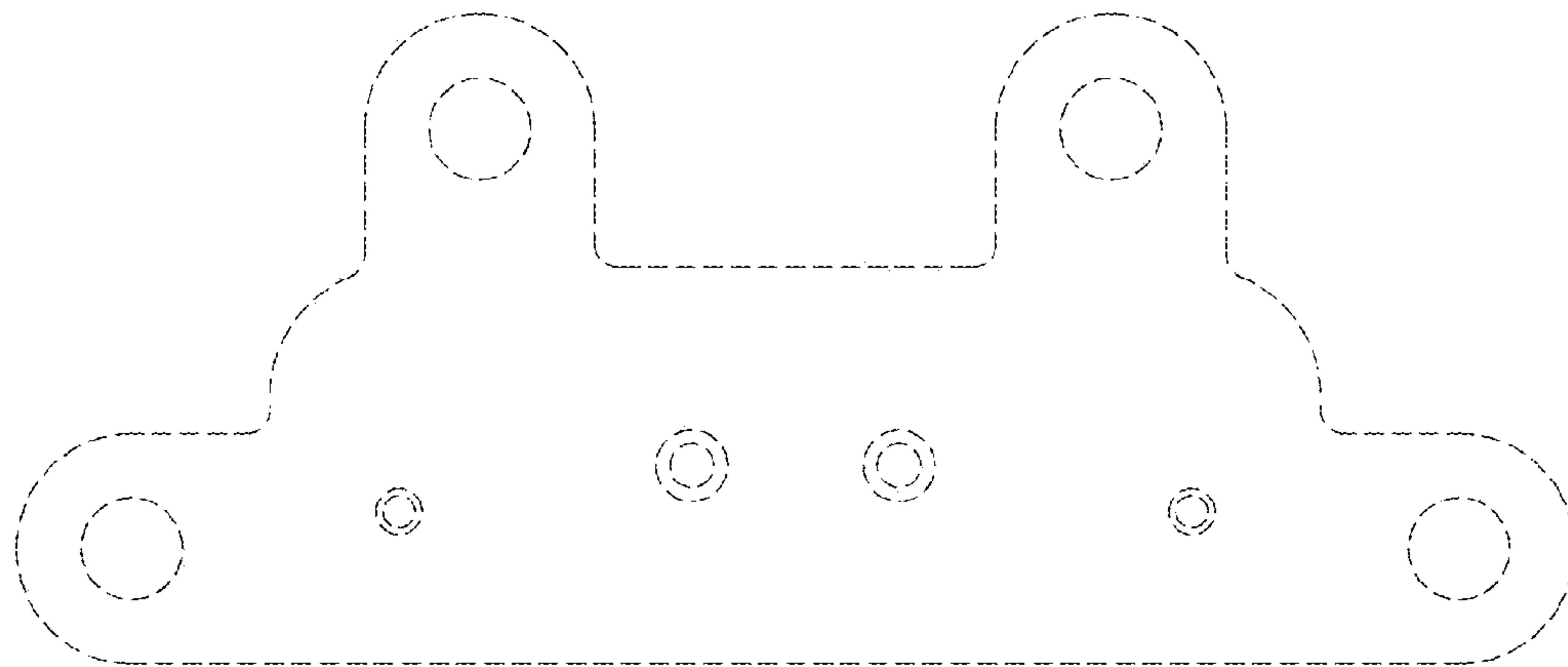


FIG. 5

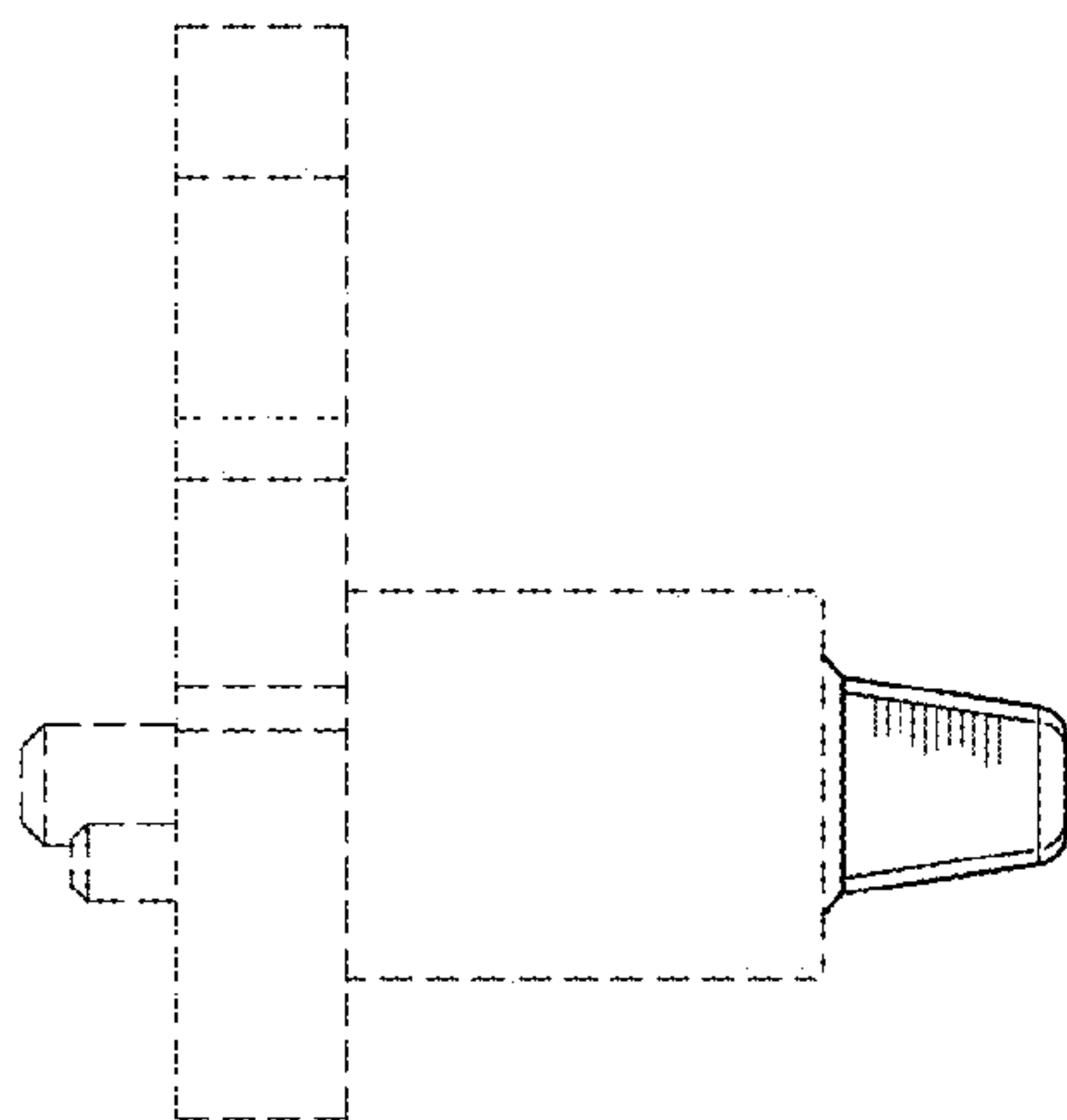


FIG. 6

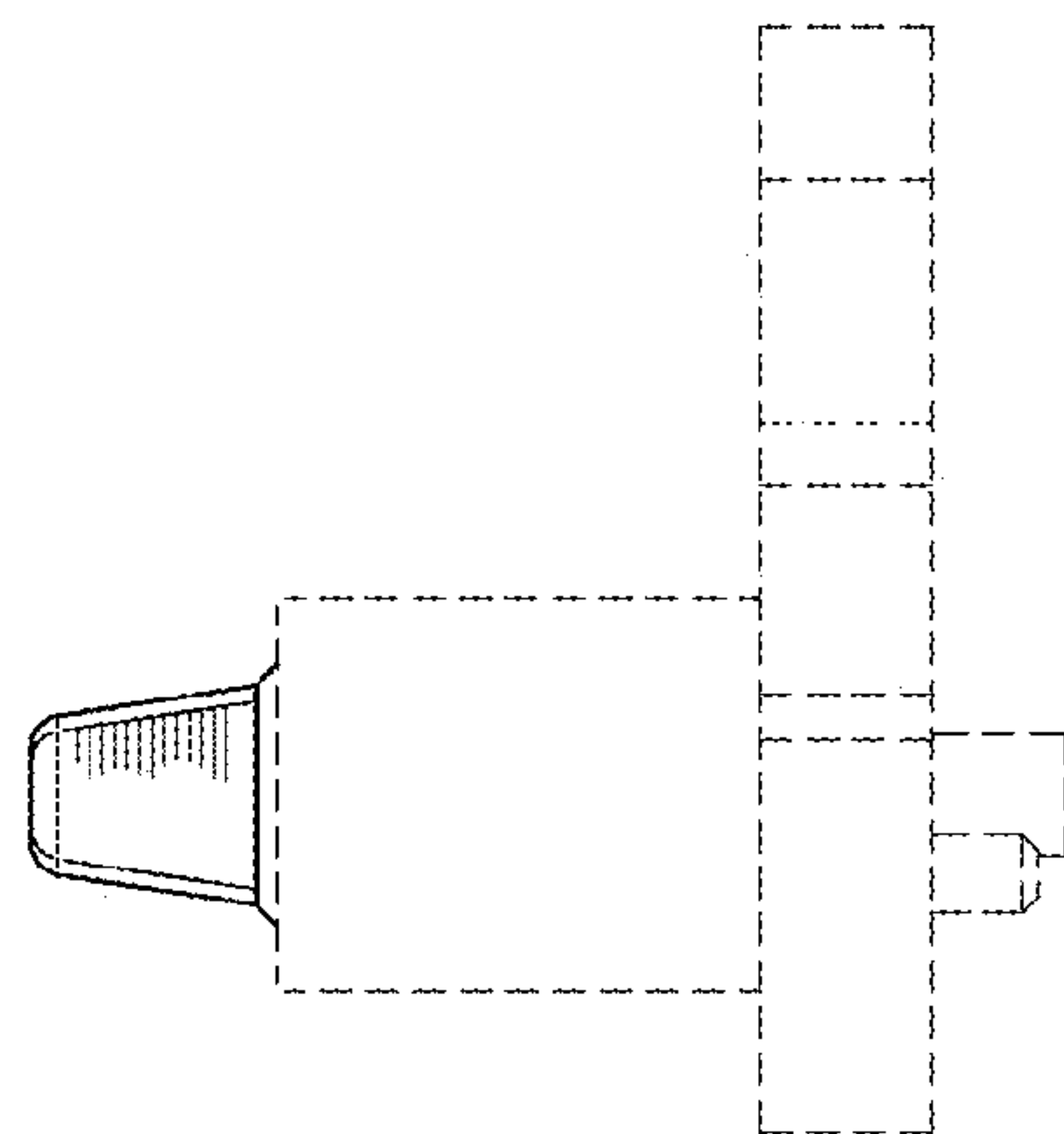


FIG. 7