



US00D701508S

(12) **United States Design Patent**
Bauermeister

(10) **Patent No.:** **US D701,508 S**
(45) **Date of Patent:** **** Mar. 25, 2014**

(54) **ELECTRONIC APPARATUS WITH INTEGRATED MOVABLE DISPLAY**

(71) Applicant: **Andreas Bauermeister**, Weimar (DE)

(72) Inventor: **Andreas Bauermeister**, Weimar (DE)

(73) Assignee: **Cross Match Technologies GmbH**, Jena (DE)

(**) Term: **14 Years**

(21) Appl. No.: **29/432,519**

(22) Filed: **Sep. 17, 2012**

(51) **LOC (10) Cl.** **14-02**

(52) **U.S. Cl.**
USPC **D14/384**

(58) **Field of Classification Search**
USPC D14/300–302, 313, 314, 341, 348–370, D14/383, 385, 432, 436, 496, 125, 135, 134, D14/155, 167, 168, 230, 231, 233, 235, 237, D14/240–242, 299; D3/201, 273; D10/65, D10/75, 78; D13/103, 149, 162, 184, 199; D18/4.4–4.6, 12.1, 56; 361/679.31–679.45, 752; 711/100, 711/115; 382/115, 124; 356/71; 235/380, 235/461, 382, 472.01, 472.02
See application file for complete search history.

(56) **References Cited**

U.S. PATENT DOCUMENTS

D346,158 S * 4/1994 Stanger et al. D14/384
D478,905 S * 8/2003 Byrne et al. D14/384

D495,335 S * 8/2004 Masamitsu et al. D14/384
D516,069 S * 2/2006 Kuroda et al. D14/384
D518,050 S * 3/2006 Wood et al. D14/384
D522,510 S * 6/2006 Su D14/384
D522,511 S * 6/2006 Sekou D14/385
D532,009 S * 11/2006 Zank et al. D14/342
D542,291 S * 5/2007 Kang et al. D14/384
D571,474 S * 6/2008 Sjo-Gaber et al. D24/186
D602,021 S * 10/2009 Noda et al. D14/383
D645,771 S * 9/2011 Shin et al. D10/106.1
D671,542 S * 11/2012 Siekmann et al. D14/422

* cited by examiner

Primary Examiner — Austin Murphy

(74) *Attorney, Agent, or Firm* — Leydig, Voit & Mayer, Ltd.

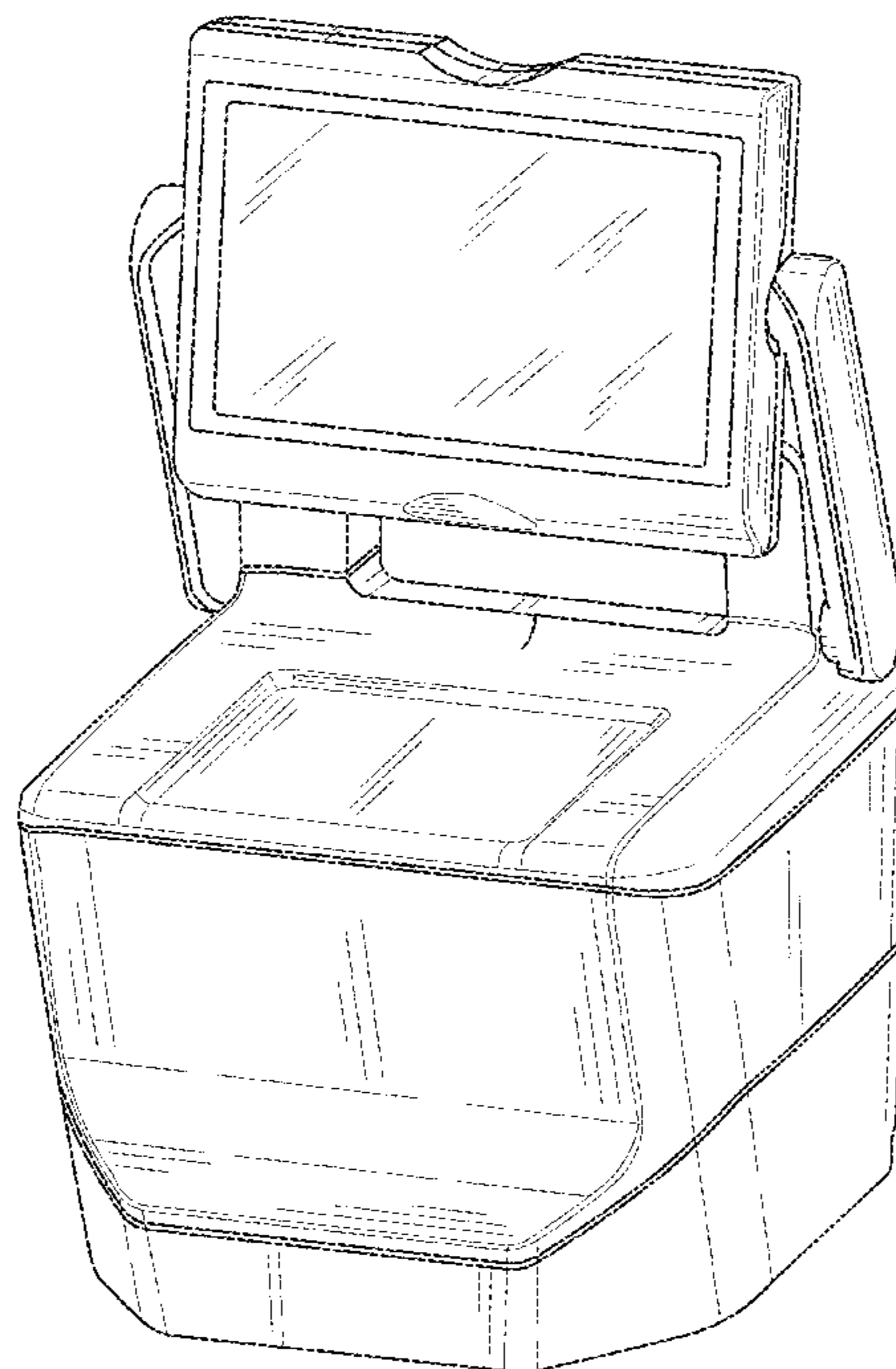
(57) **CLAIM**

The ornamental design for an electronic apparatus with integrated movable display, as shown and described.

DESCRIPTION

FIG. 1 is a front, right, top-side perspective view of a first embodiment of the electronic apparatus with integrated movable display showing my new design with the integrated display in an open position;
FIG. 2 is a front, right, top-side perspective view thereof with the integrated display in a closed position;
FIG. 3 is a front elevational view thereof;
FIG. 4 is a right side elevational view thereof, the left side elevational view being a mirror image thereof;
FIG. 5 is a rear elevational view thereof; and,
FIG. 6 is a top plan view thereof.

1 Claim, 6 Drawing Sheets



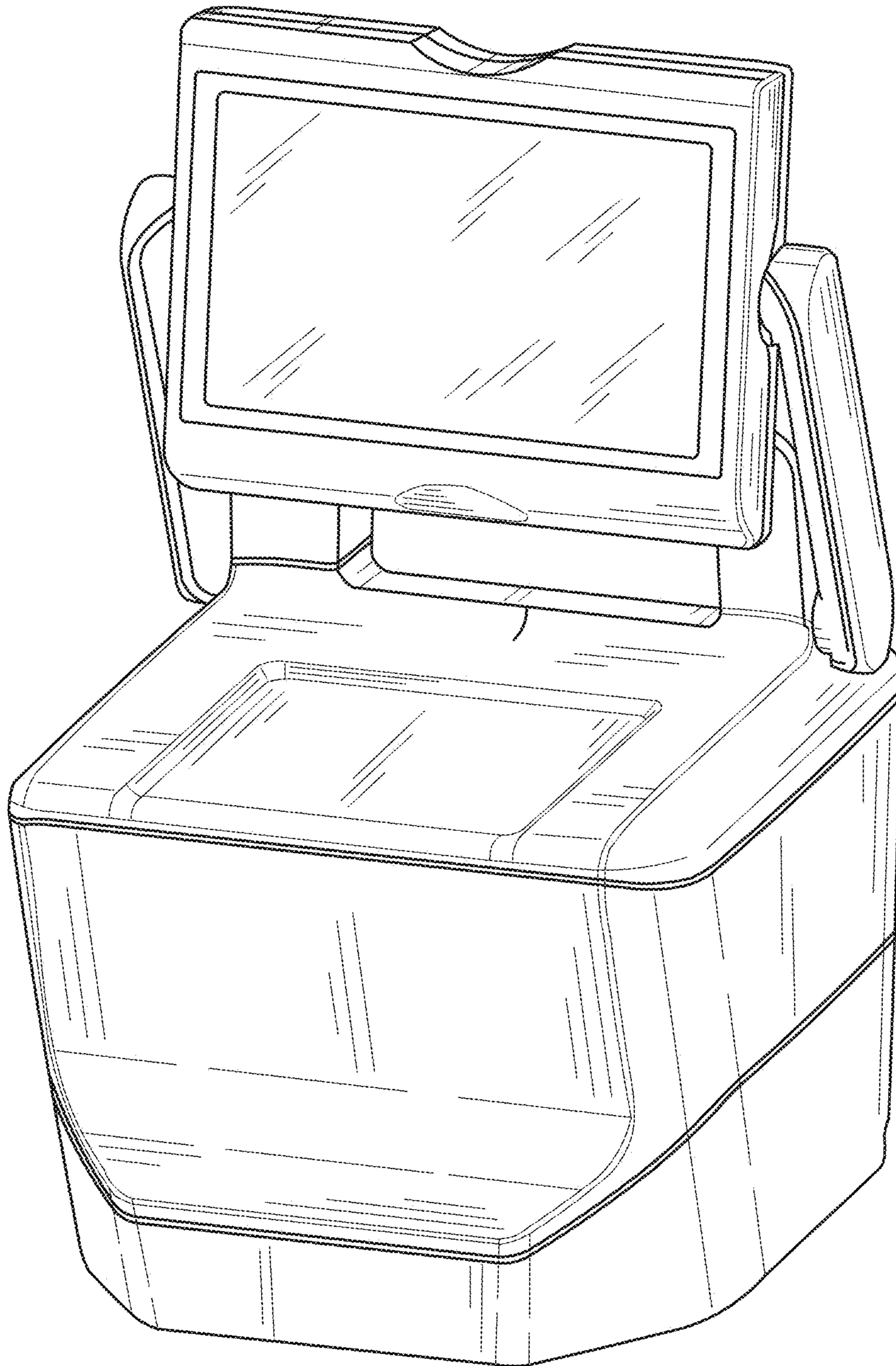


FIG. 1

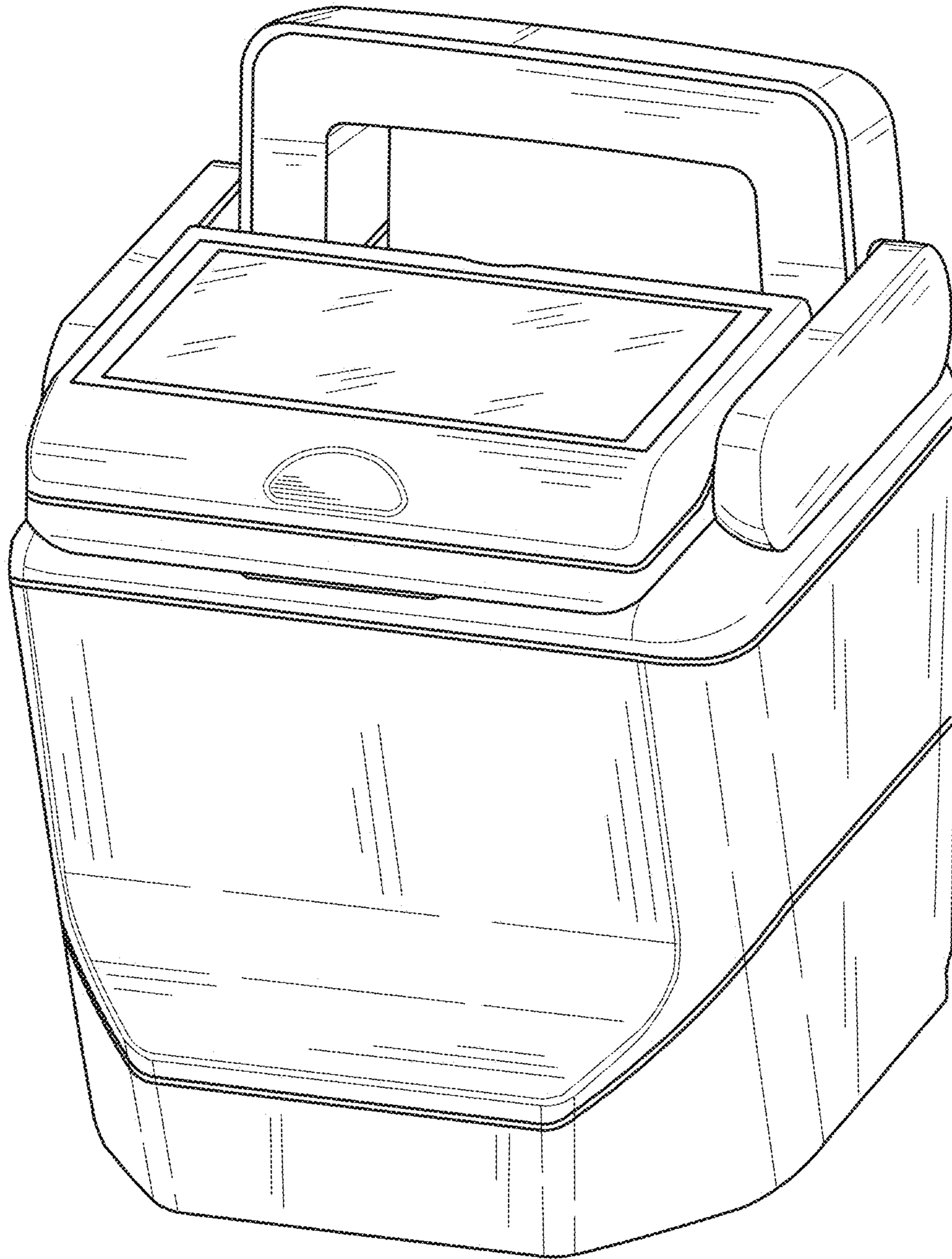


FIG. 2

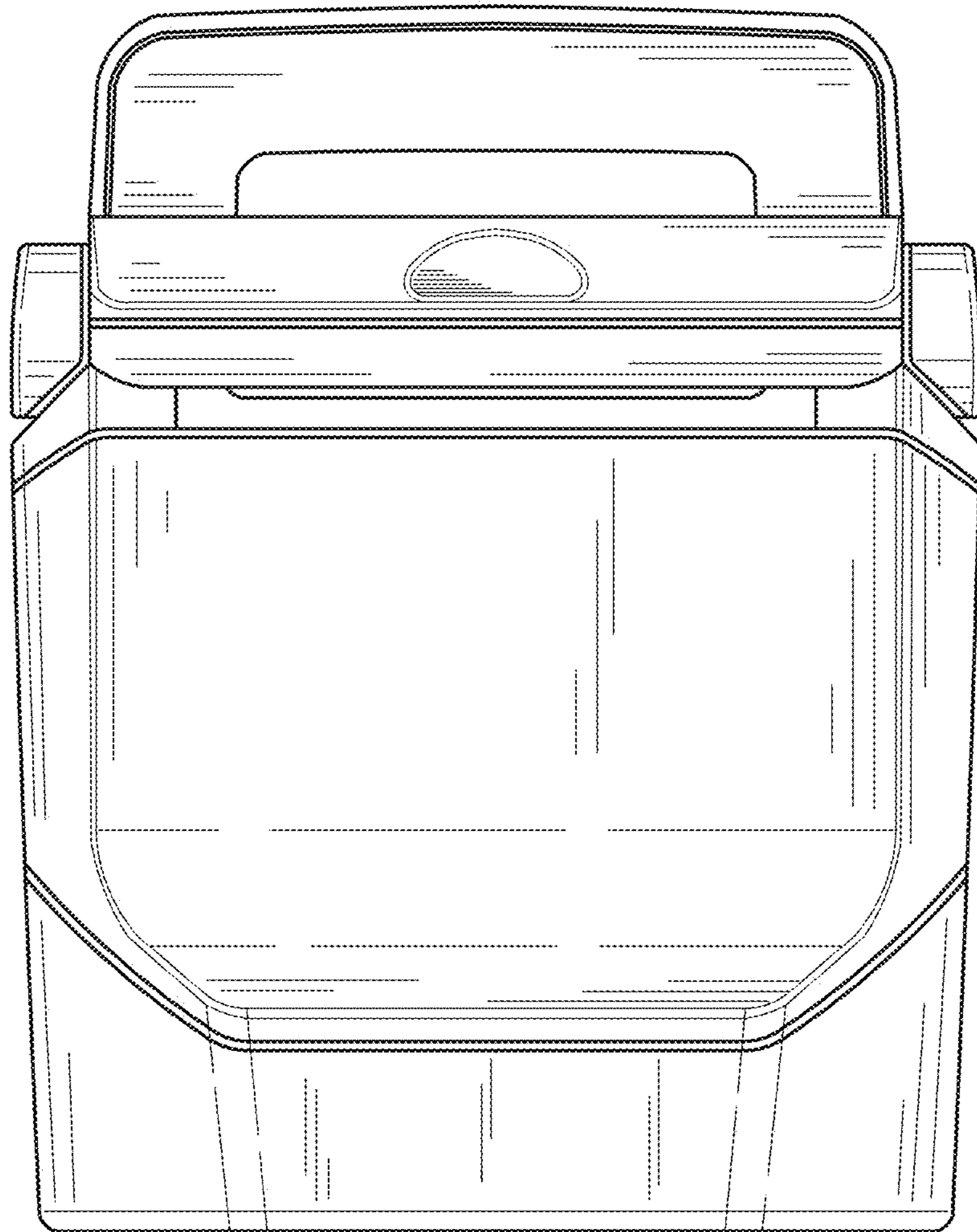


FIG. 3

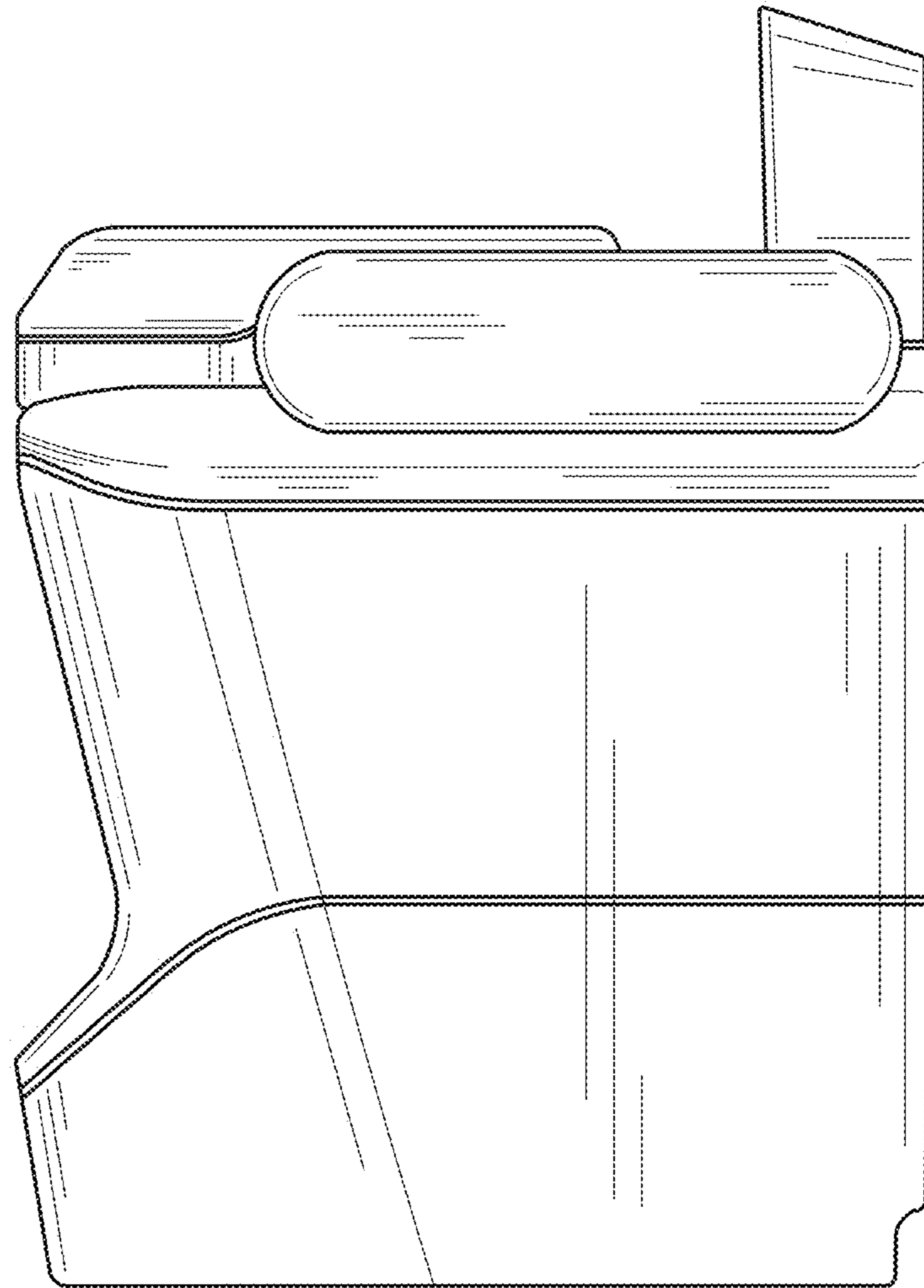


FIG. 4

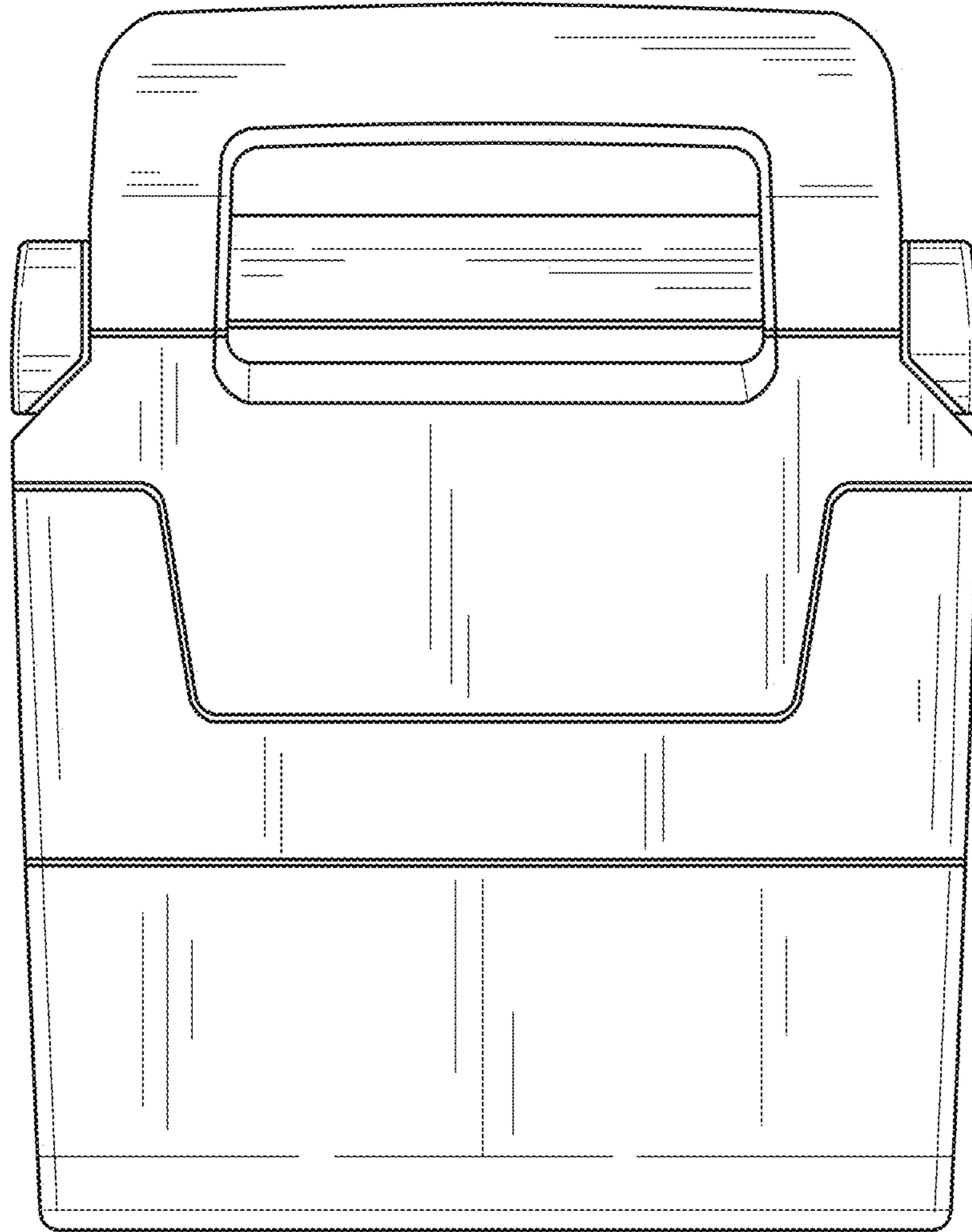


FIG. 5

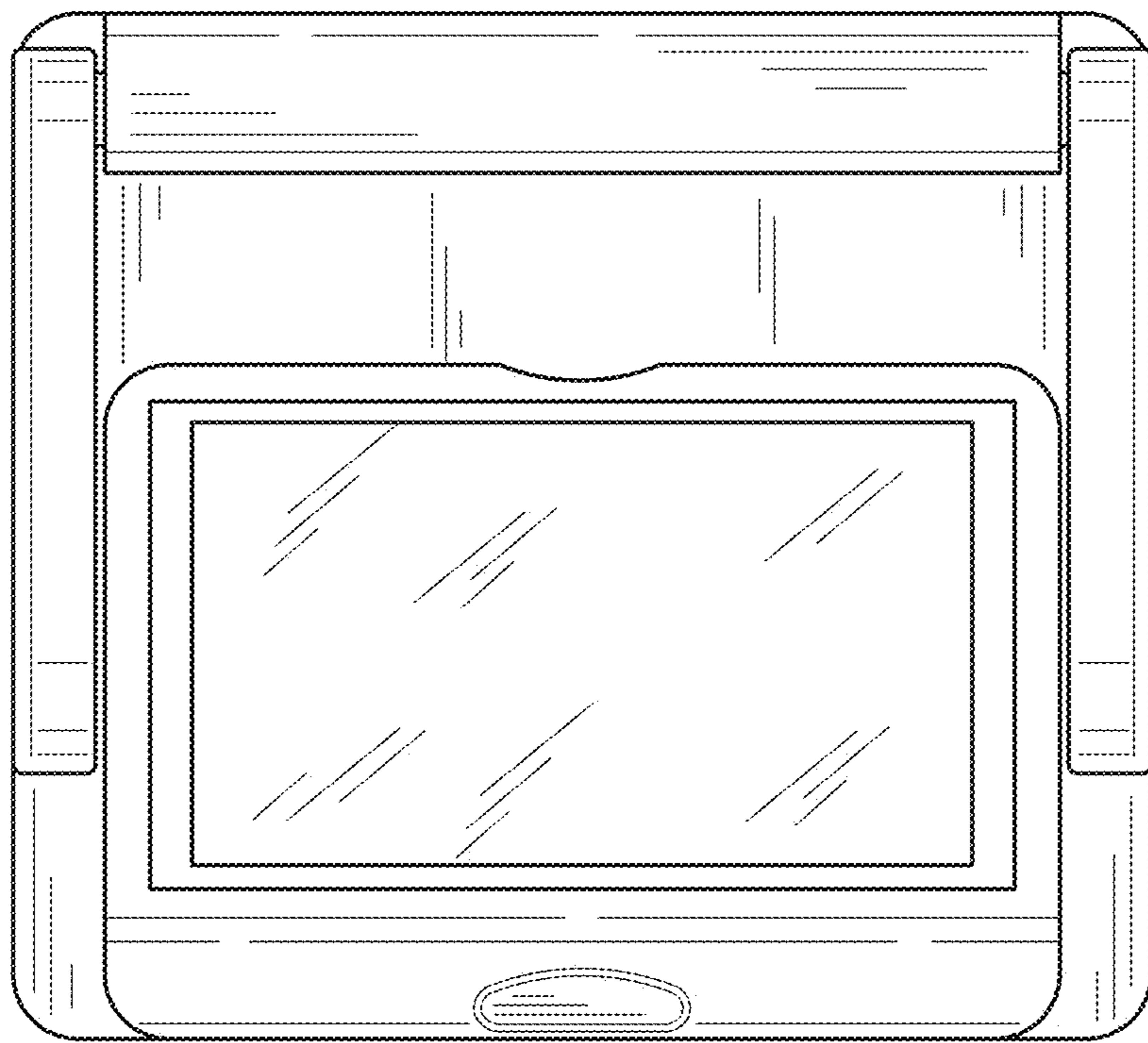


FIG. 6