



US00D701497S

(12) **United States Design Patent**
Grajcar

(10) **Patent No.:** **US D701,497 S**
(45) **Date of Patent:** **** Mar. 25, 2014**

- (54) **HEAT SINK OF A LIGHT EMITTING DIODE DEVICE**
- (71) Applicant: **Once Innovations, Inc.**, Plymouth, MN (US)
- (72) Inventor: **Zdenko Grajcar**, Crystal, MN (US)
- (73) Assignee: **Once Innovations, Inc.**, Plymouth, MN (US)
- (**) Term: **14 Years**
- (21) Appl. No.: **29/453,617**
- (22) Filed: **May 1, 2013**

Related U.S. Application Data

- (63) Continuation of application No. 13/715,884, filed on Dec. 14, 2012.
- (51) **LOC (10) Cl.** **13-03**
- (52) **U.S. Cl.**
USPC **D13/179; D26/2**
- (58) **Field of Classification Search**
USPC **D13/179; D26/2; 165/80.3, 104.26, 165/104.33, 122, 151, 185; 257/706, 707, 257/718-722; 313/46; 362/294, 373; 361/695, 697, 700, 702, 704, 709, 710, 361/711, 719**
See application file for complete search history.

(56) **References Cited**

U.S. PATENT DOCUMENTS

D626,094	S *	10/2010	Alexander et al.	D13/179
8,164,237	B2 *	4/2012	Wen	313/46
D661,260	S *	6/2012	Layevsky et al.	D13/179
D662,898	S *	7/2012	Petroski	D13/179
8,227,960	B2 *	7/2012	Huang	313/46
8,297,797	B2 *	10/2012	Kim et al.	362/294
D677,227	S *	3/2013	Petroski	D13/179

8,390,182	B2 *	3/2013	Yu	313/46
8,403,542	B2 *	3/2013	Chu	362/373
8,552,626	B1 *	10/2013	van de Ven	313/46
2005/0052870	A1 *	3/2005	Vamberi	362/294
2011/0128742	A9 *	6/2011	Yuen et al.	362/294
2011/0176316	A1 *	7/2011	Phipps et al.	362/373
2011/0215696	A1 *	9/2011	Tong et al.	313/46
2011/0242816	A1 *	10/2011	Chowdhury et al.	362/294
2012/0026740	A1 *	2/2012	Kim et al.	362/294
2012/0230034	A1 *	9/2012	Boomgaarden et al.	362/294
2012/0287641	A1 *	11/2012	Tsung	362/294
2012/0326589	A1 *	12/2012	Yu	313/46
2013/0058098	A1 *	3/2013	Kim et al.	362/294
2013/0214666	A1 *	8/2013	Leung et al.	313/46

* cited by examiner

Primary Examiner — Selina Sikder

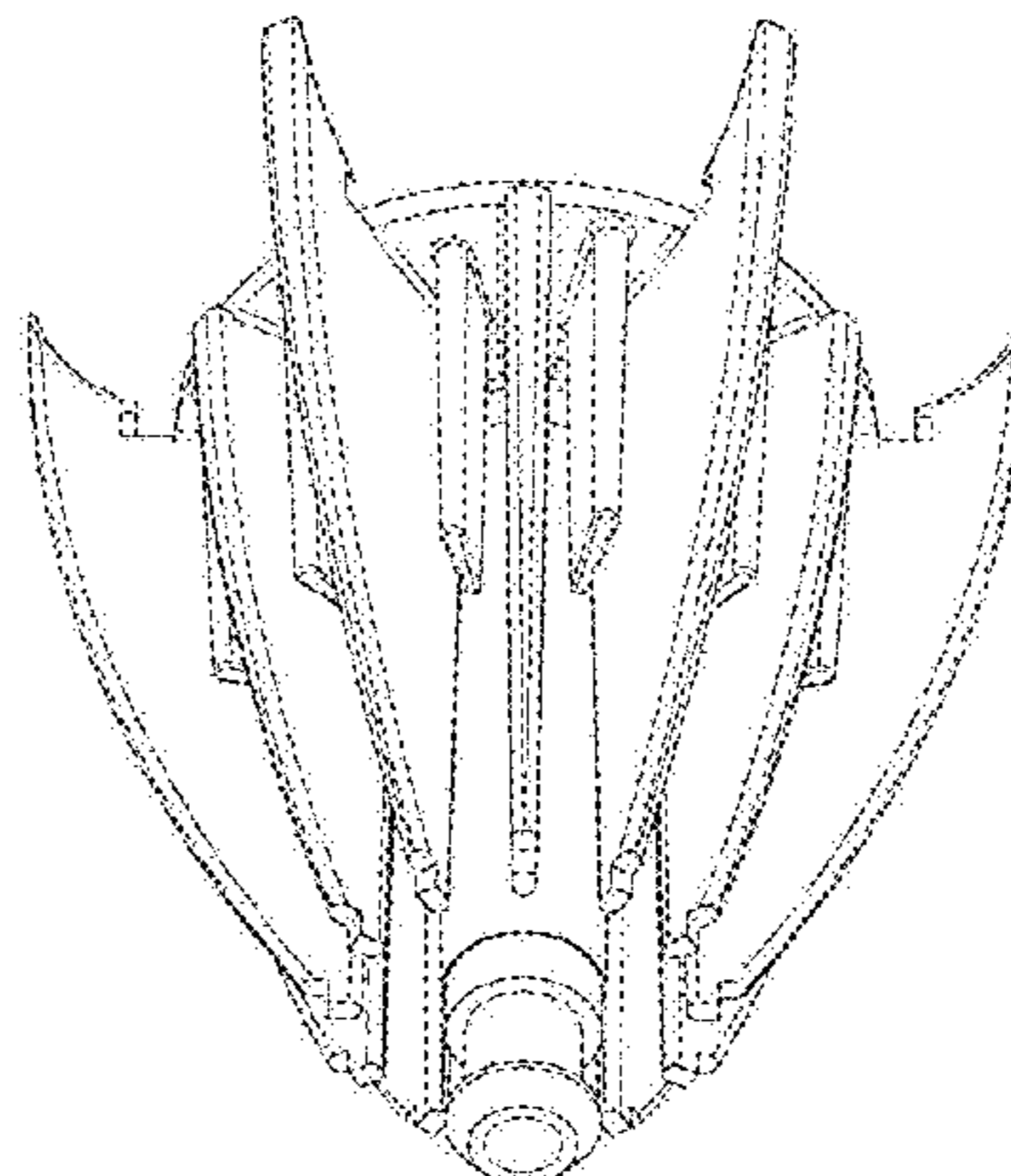
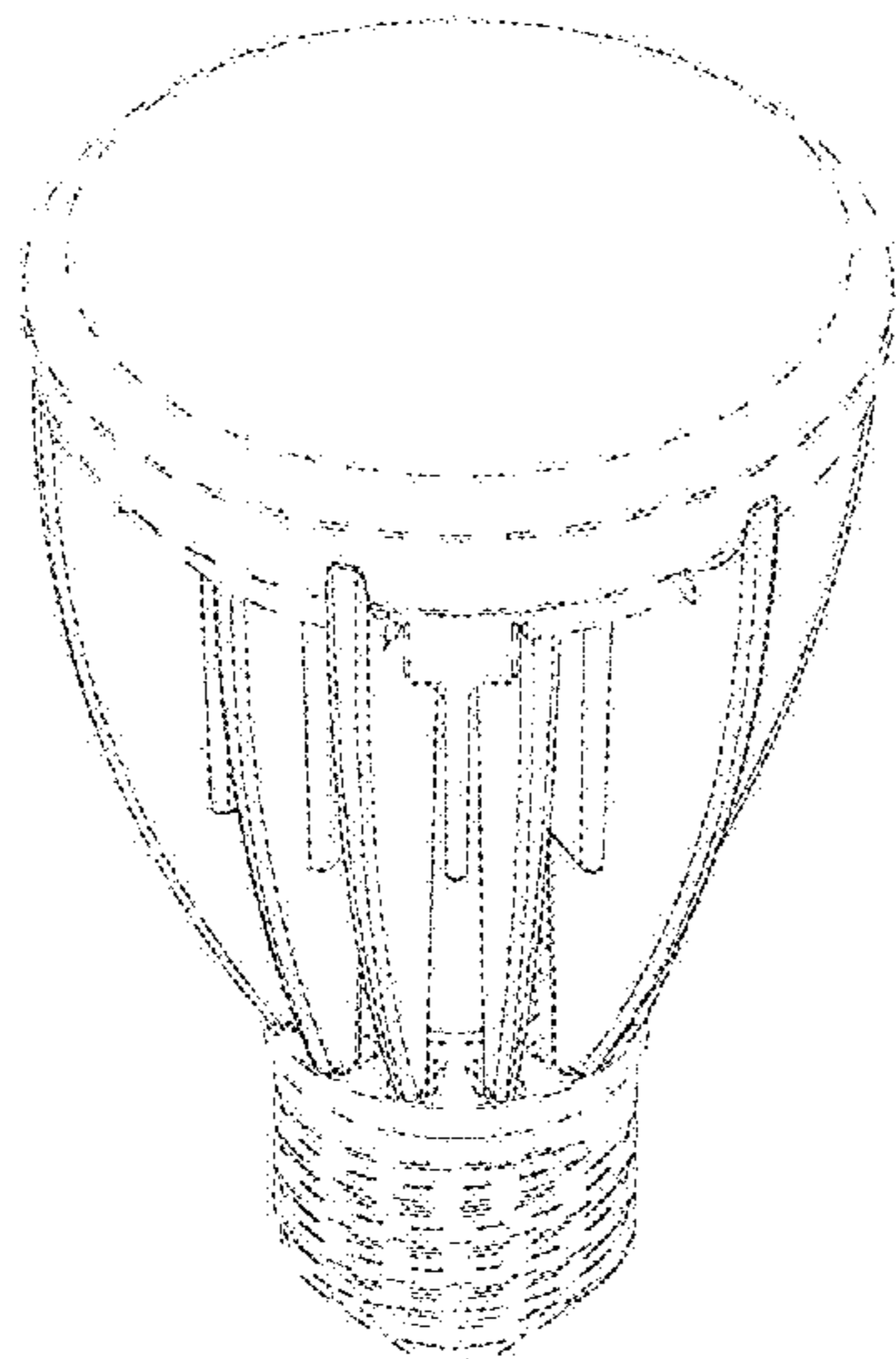
(57) **CLAIM**

The ornamental design for a heat sink of a light emitting diode device, as shown and described.

DESCRIPTION

FIG. 1 is an elevated front perspective view of a heat sink of an LED design showing my new design;
 FIG. 2 is a front bottom perspective view of the heat sink of FIG. 1 showing my design;
 FIG. 3 is a front top perspective view of the heat sink of FIG. 1 showing my design;
 FIG. 4 is a left side plan view of the heat sink of FIG. 1 of FIG. 1 showing my design;
 FIG. 5 is a right side plan view of the heat sink of FIG. 1 of FIG. 1 showing my design;
 FIG. 6 is a top plan view of the heat sink of FIG. 1 showing my design; and,
 FIG. 7 is a bottom plan view of the heat sink of FIG. 1 showing my design.
 The broken line showing of the bulb and the environment is for illustrative purposes only and forms no part of the claimed design.

1 Claim, 7 Drawing Sheets



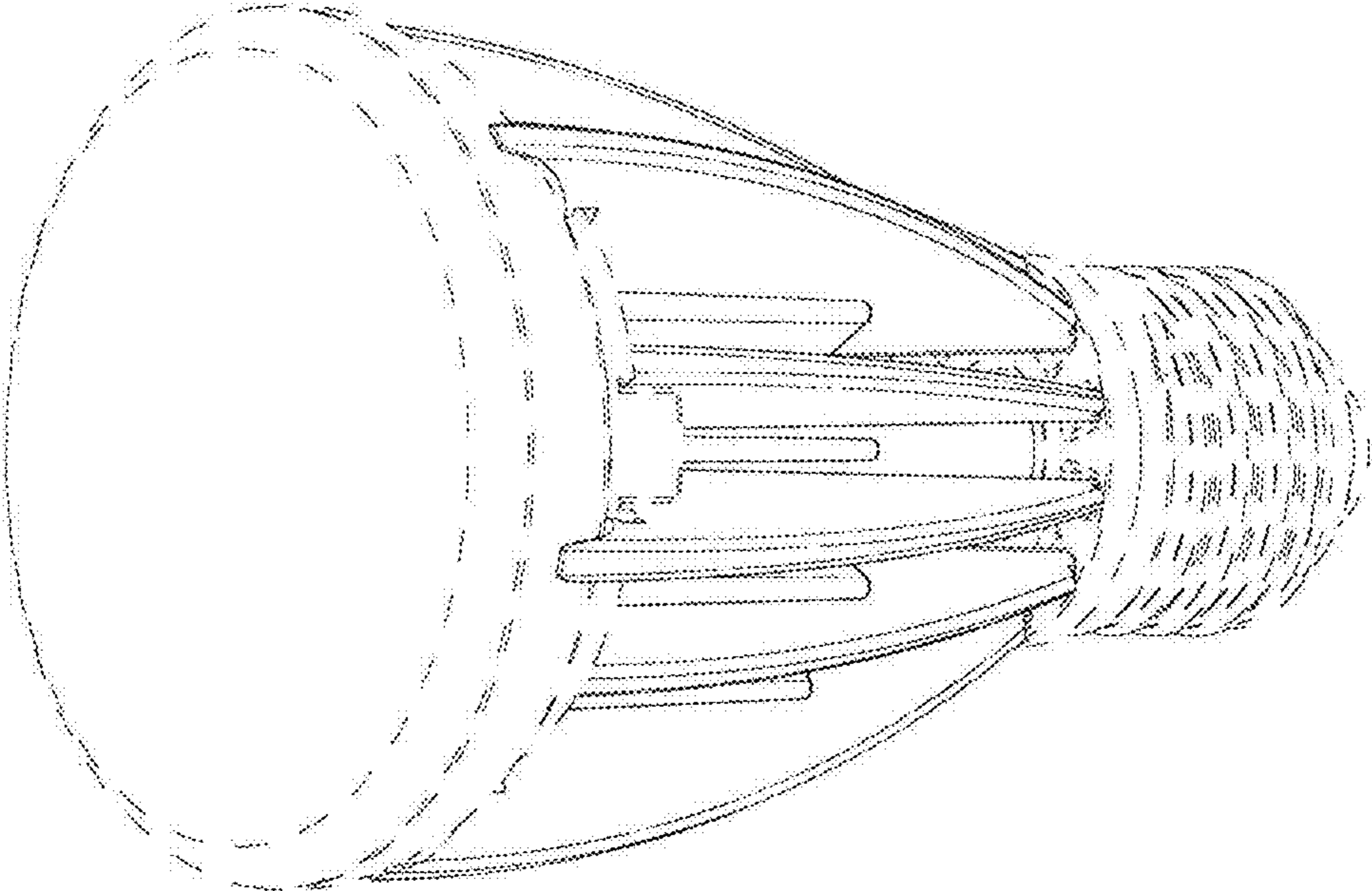
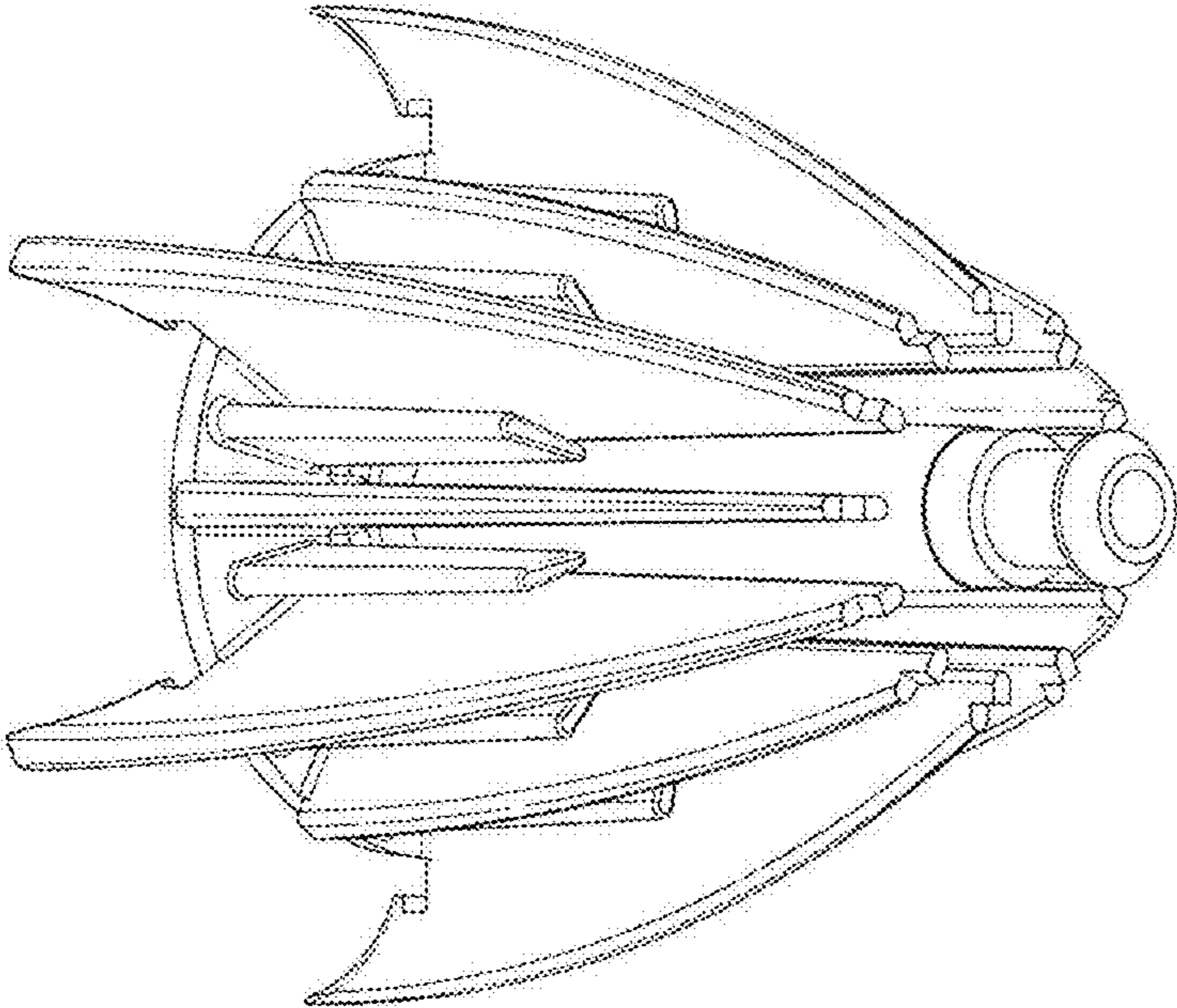


FIG. 1

FIG. 2



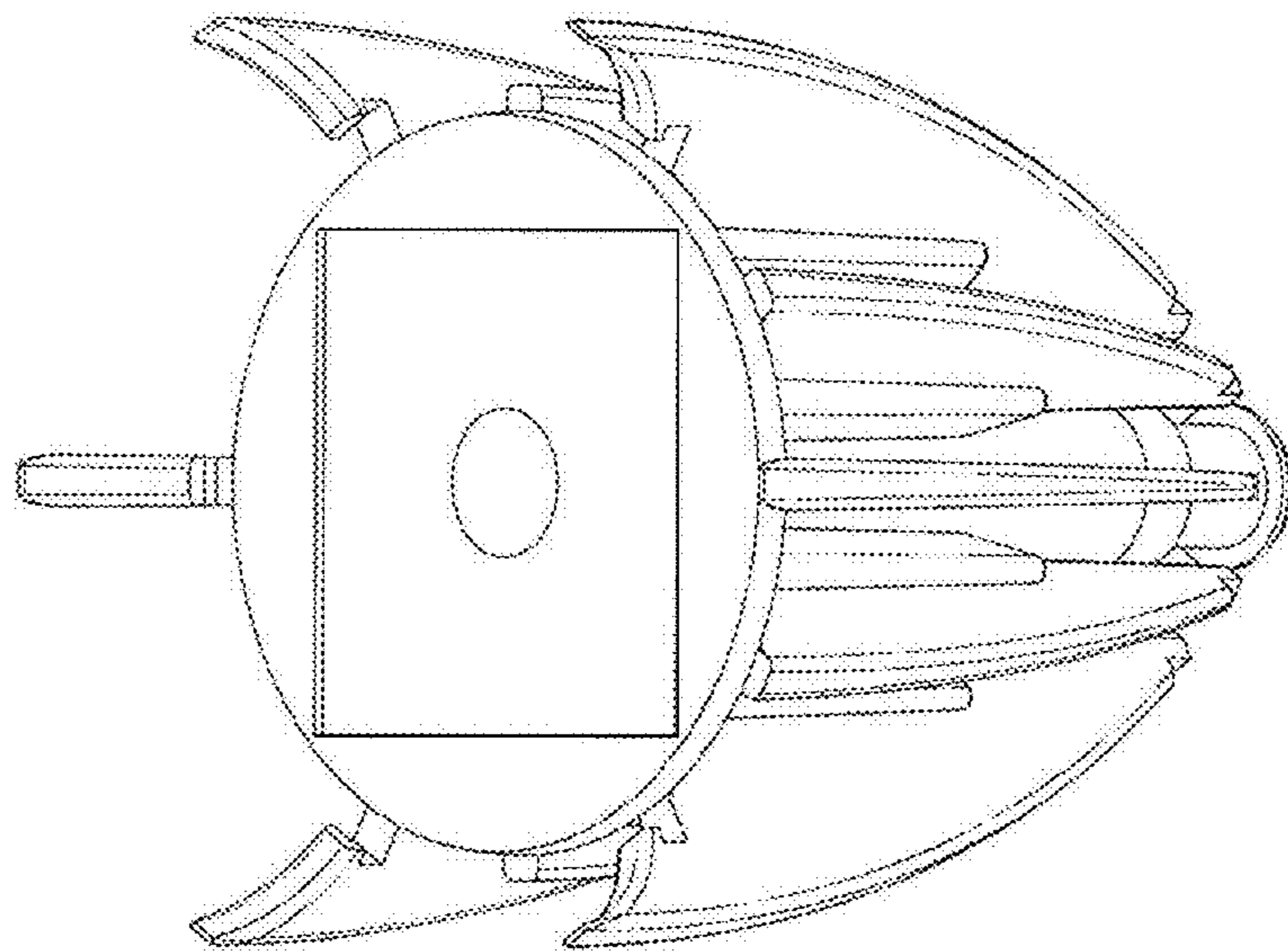
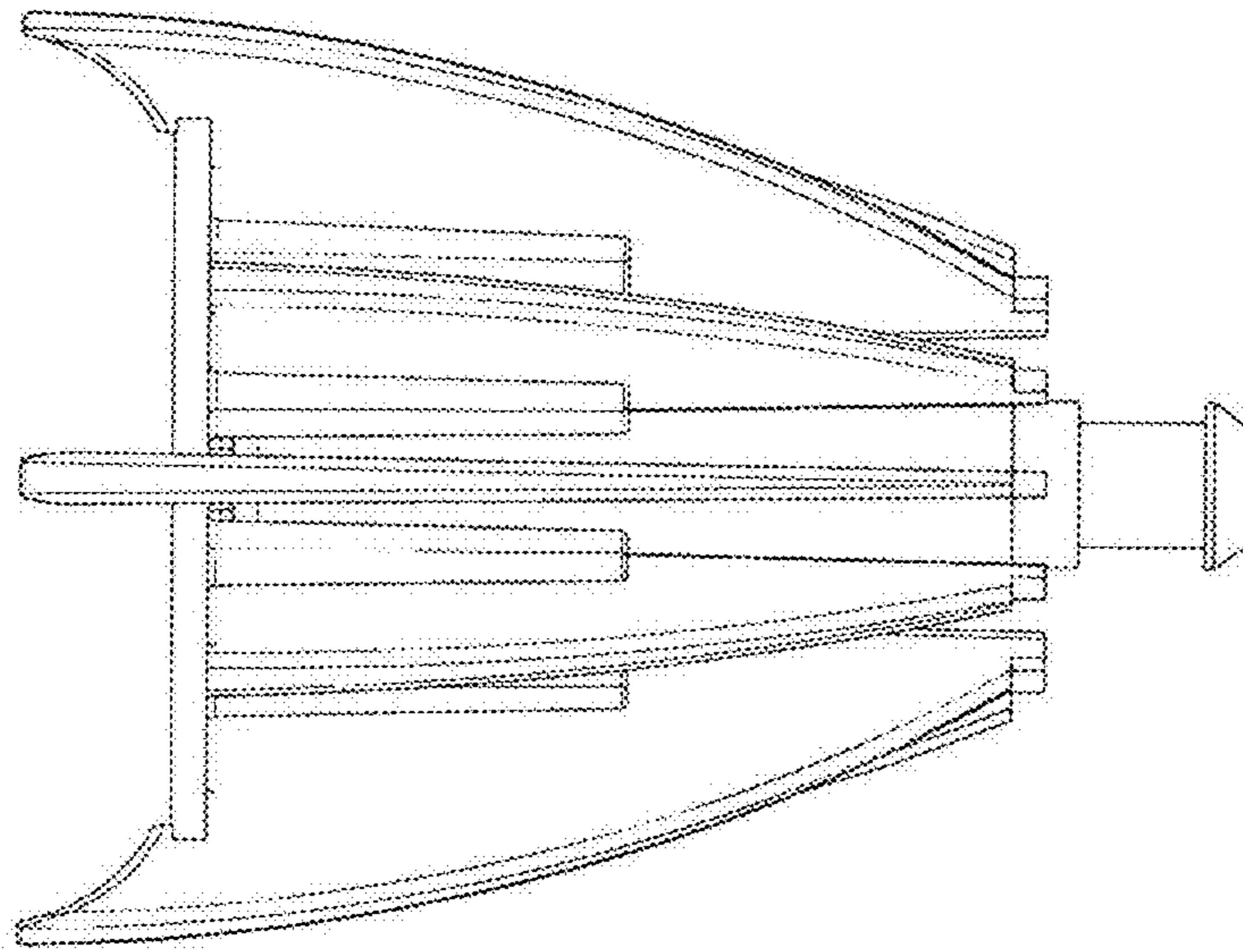


FIG. 3

FIG. 4



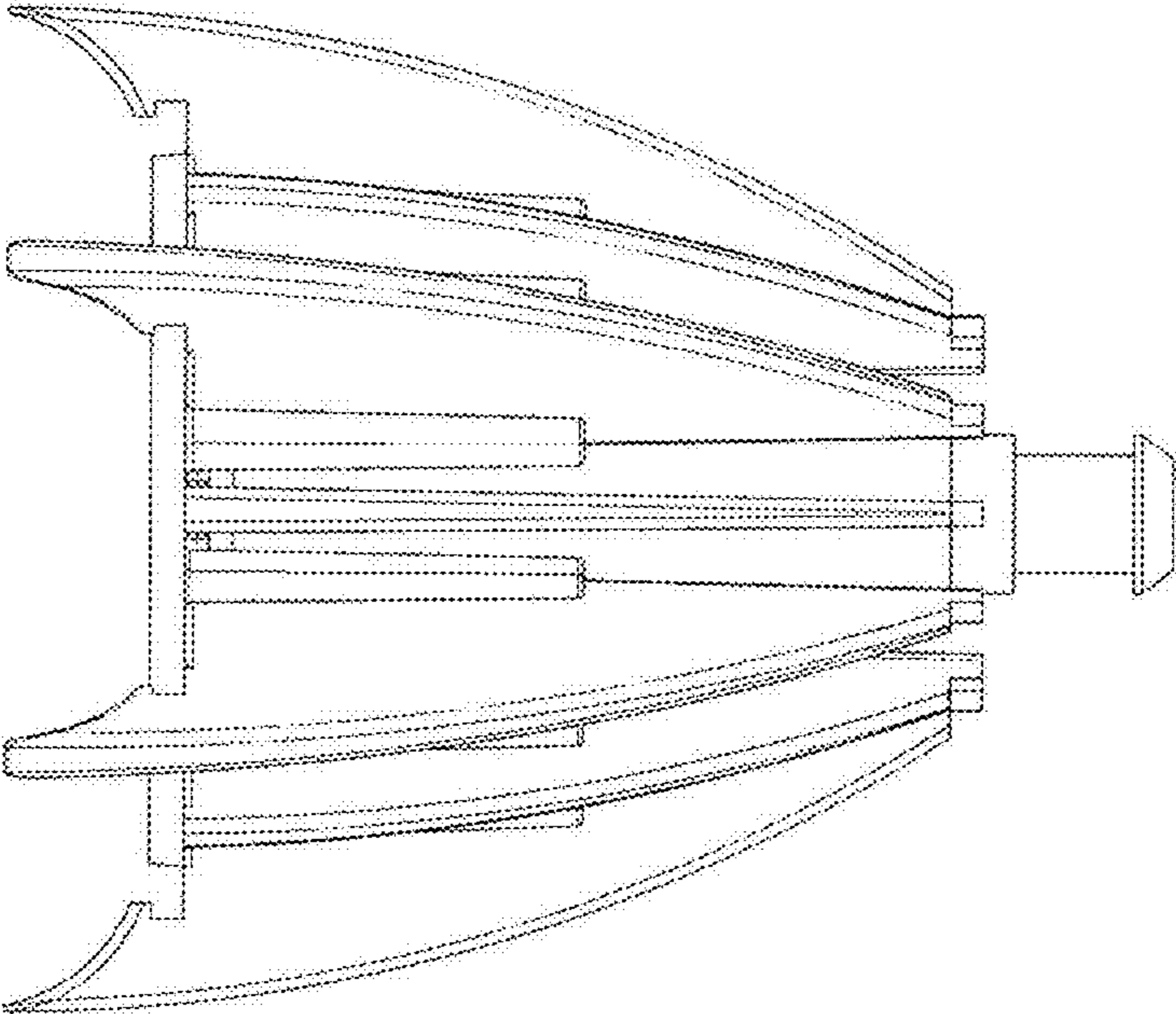


FIG. 5

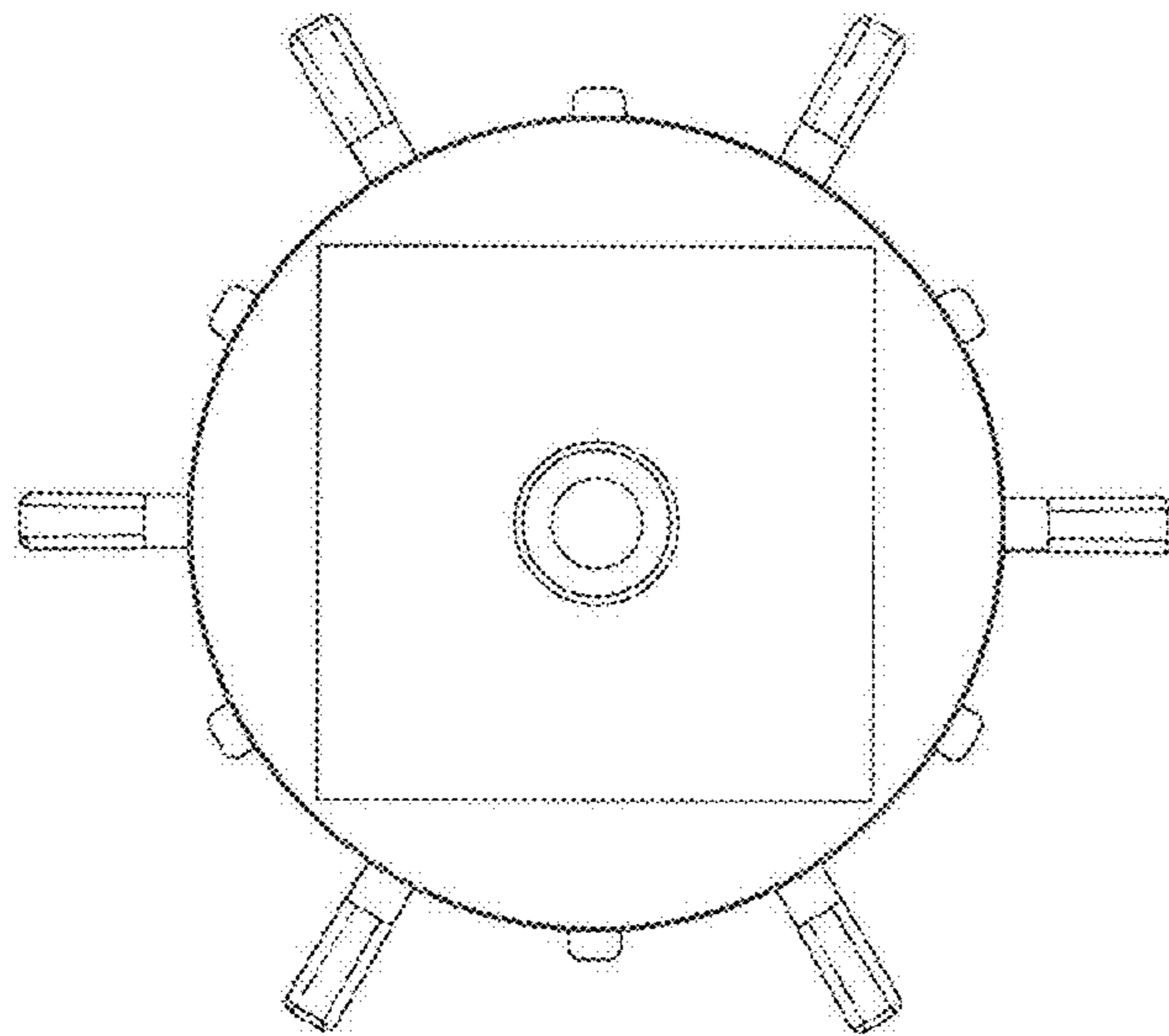


FIG. 6

FIG. 7

