



US00D701496S

(12) **United States Design Patent**
Namminga

(10) **Patent No.:** **US D701,496 S**
(45) **Date of Patent:** **** Mar. 25, 2014**

(54) **BAND-MOUNTED WIRELESS REMOTE CONTROL**

D638,806 S * 5/2011 Kim et al. D13/168
D639,752 S * 6/2011 Li et al. D13/168
D667,382 S * 9/2012 Cosentino et al. D13/168

(71) Applicant: **Mophie, Inc.**, Tustin, CA (US)

* cited by examiner

(72) Inventor: **Andrew Namminga**, Costa Mesa, CA (US)

Primary Examiner — Selina Sikder

(73) Assignee: **Mophie, Inc.**, Tustin, CA (US)

(74) *Attorney, Agent, or Firm* — Knobbe, Martens, Olson & Bear LLP

(**) Term: **14 Years**

(57) **CLAIM**

(21) Appl. No.: **29/441,686**

The ornamental design for a band-mounted wireless remote control, as shown and described.

(22) Filed: **Jan. 8, 2013**

DESCRIPTION

(51) **LOC (10) Cl.** **14-03**

(52) **U.S. Cl.**
USPC **D13/168**

(58) **Field of Classification Search**
USPC D13/168; D14/155, 218; D10/49, 50;
341/176; 345/169; 340/4.3, 4.42,
340/12.22, 12.23, 12.24, 12.29, 12.3, 12.55,
340/13.2, 13.21, 13.24; 455/92, 95, 128,
455/151.1–151.4, 352, 353; 700/17, 65, 83
See application file for complete search history.

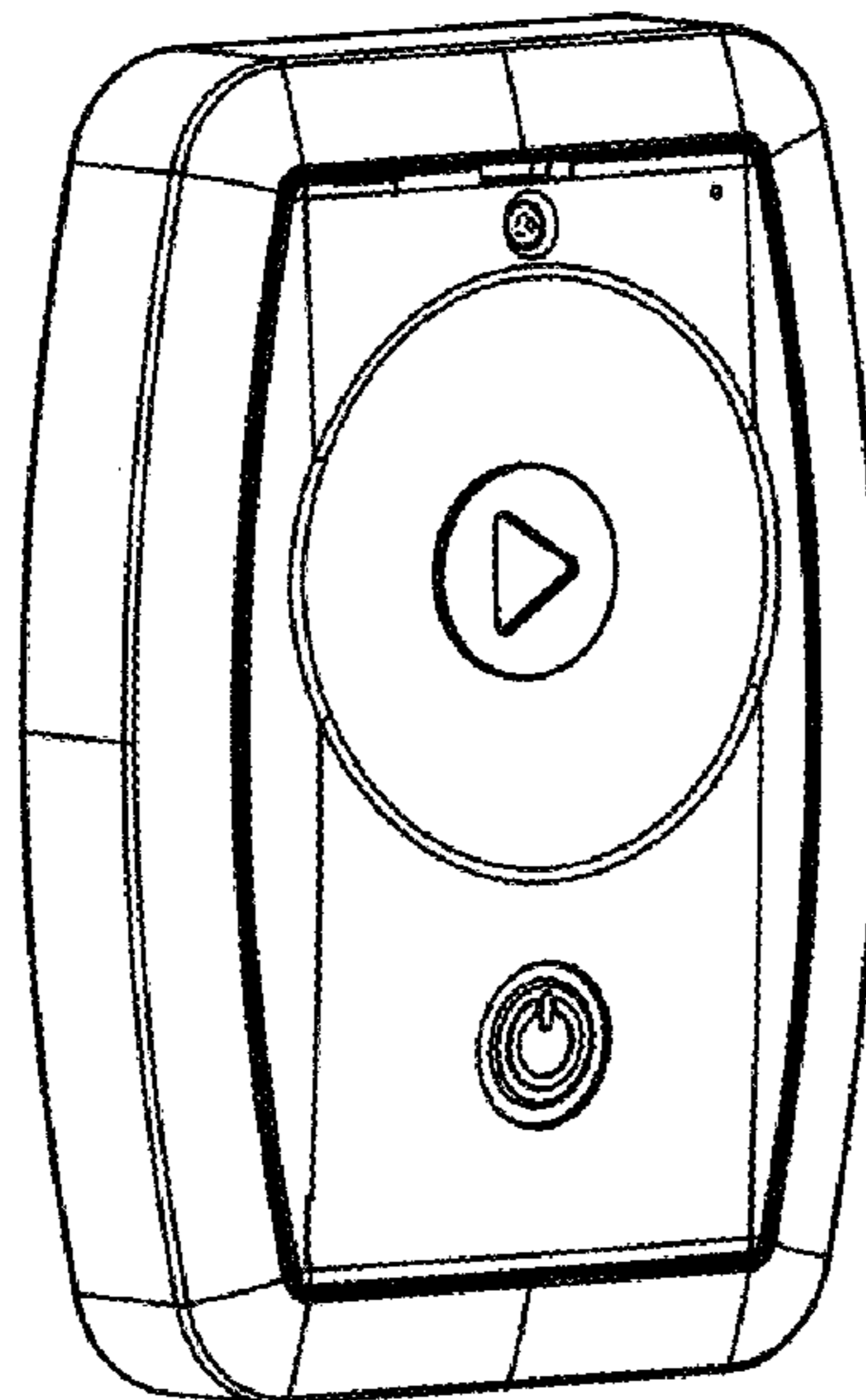
FIG. 1 is a front view of the band-mounted wireless remote control;
FIG. 2 is a rear view of the band-mounted wireless remote control;
FIG. 3 is a top view of the band-mounted wireless remote control;
FIG. 4 is a bottom view of the band-mounted wireless remote control;
FIG. 5 is a left view of the band-mounted wireless remote control;
FIG. 6 is a right view of the band-mounted wireless remote control;
FIG. 7 is a perspective view of the band-mounted wireless remote control; and,
FIG. 8 is a reverse perspective view of the band-mounted wireless remote control.

(56) **References Cited**

U.S. PATENT DOCUMENTS

D377,458 S * 1/1997 Tsui D10/104.1
D548,728 S * 8/2007 Yoshiyama D14/218
D582,395 S * 12/2008 Ikeda et al. D14/218
D592,158 S * 5/2009 Peterson et al. D13/168
D600,654 S * 9/2009 Liao D13/168

1 Claim, 8 Drawing Sheets



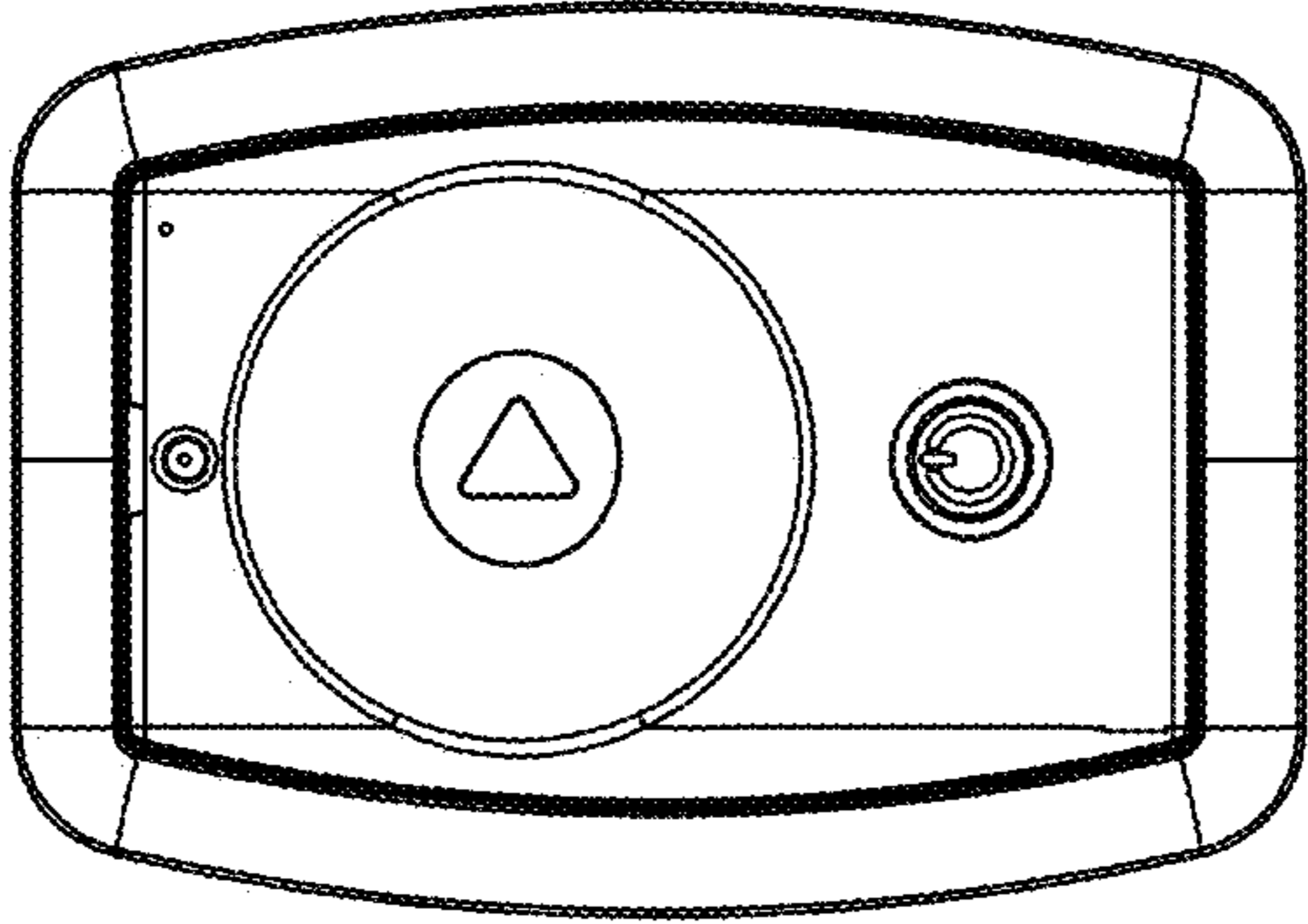


FIGURE 1

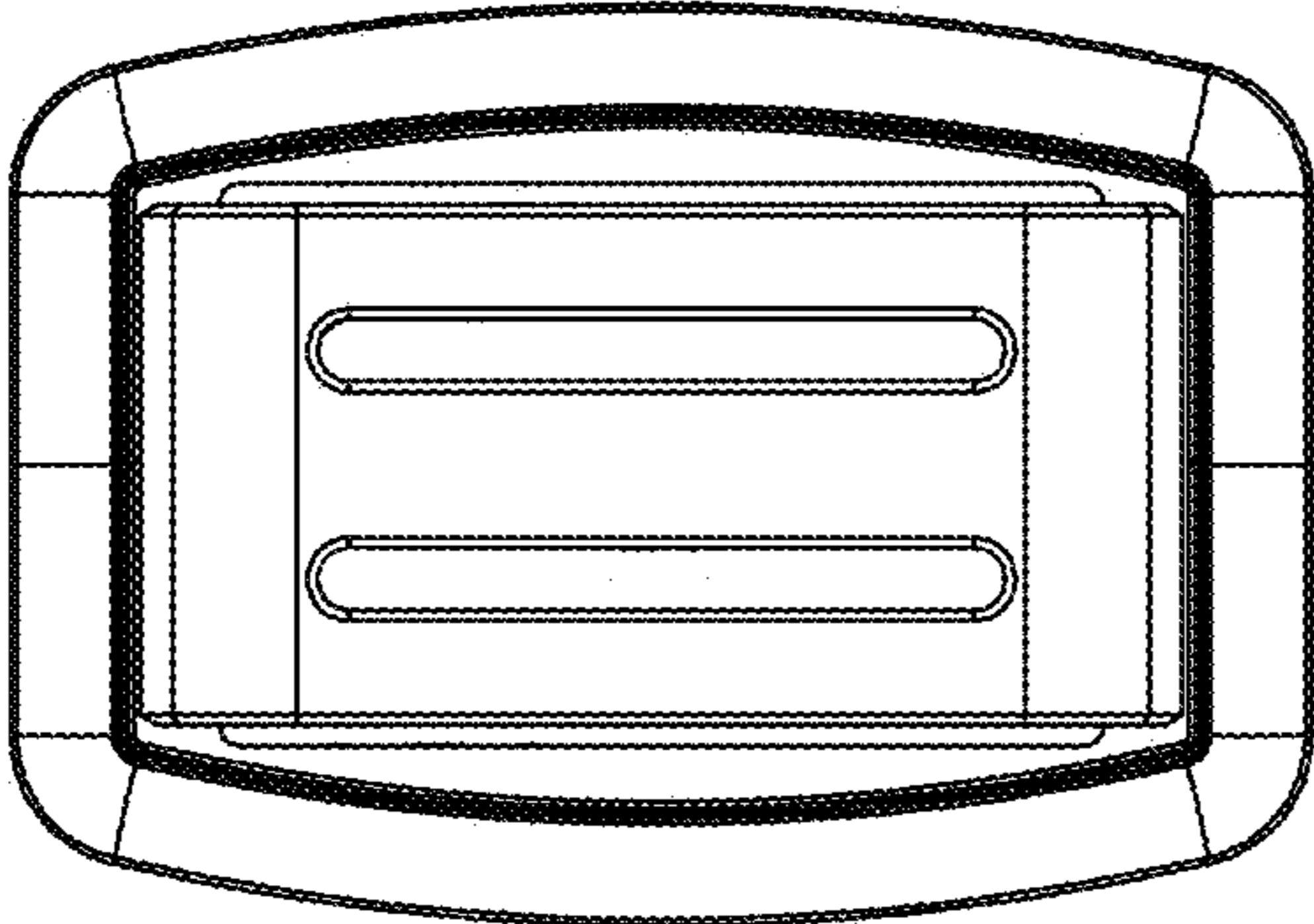


FIGURE 2

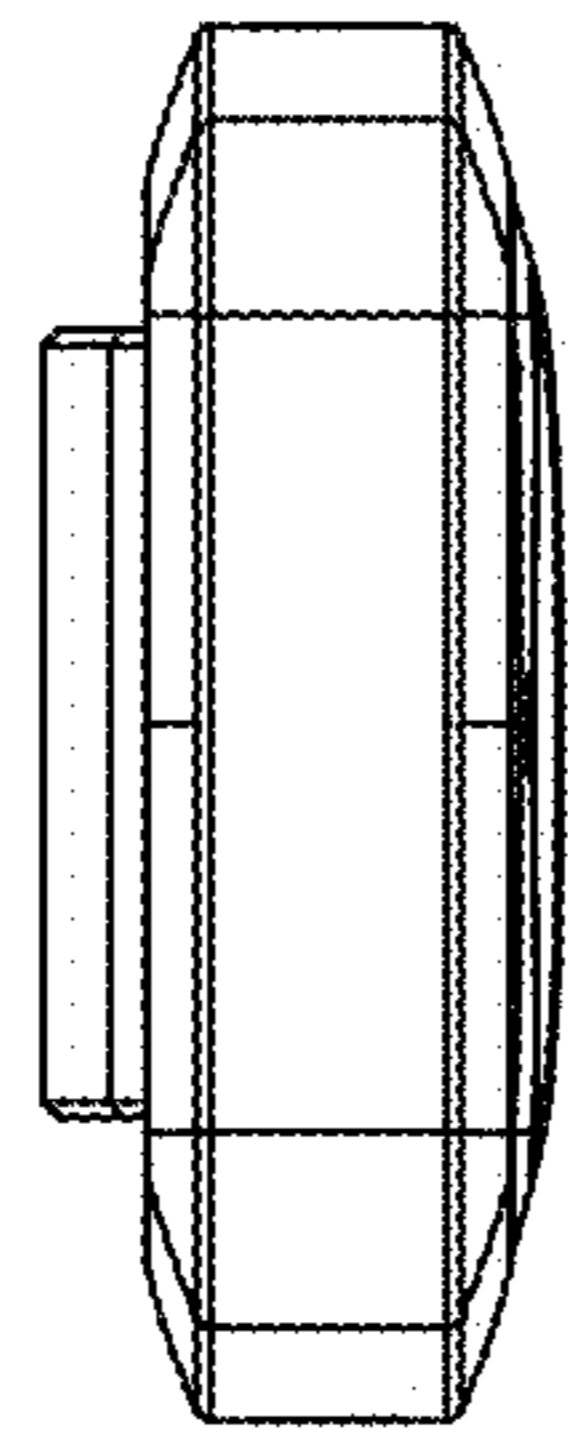


FIGURE 3

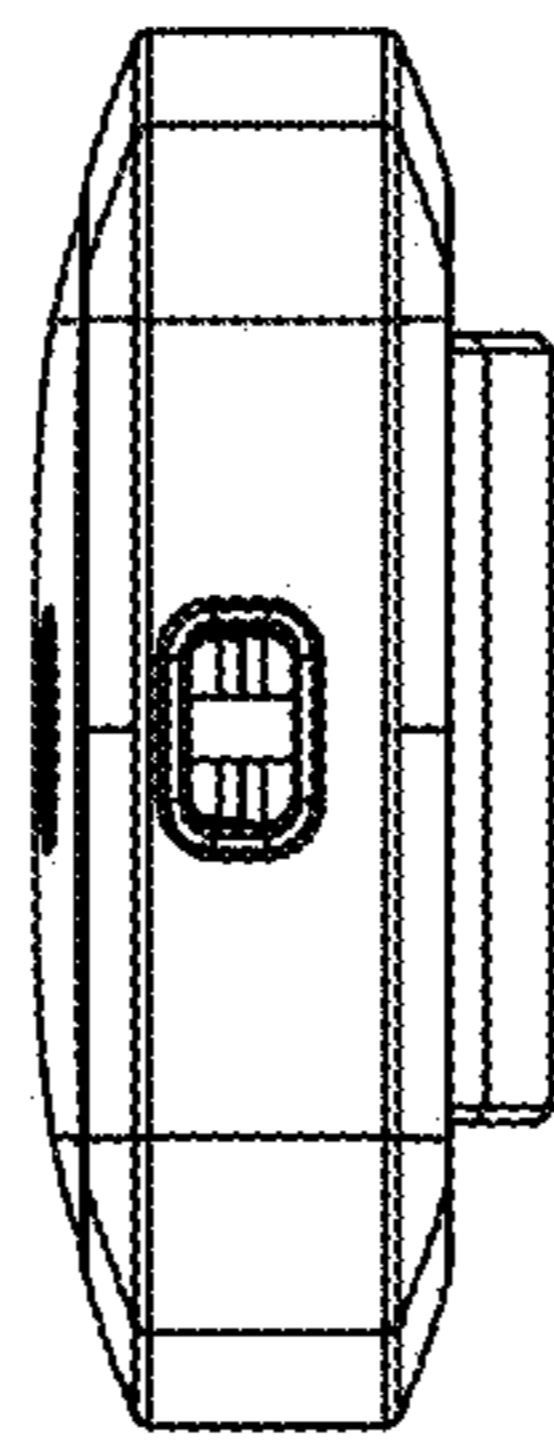


FIGURE 4

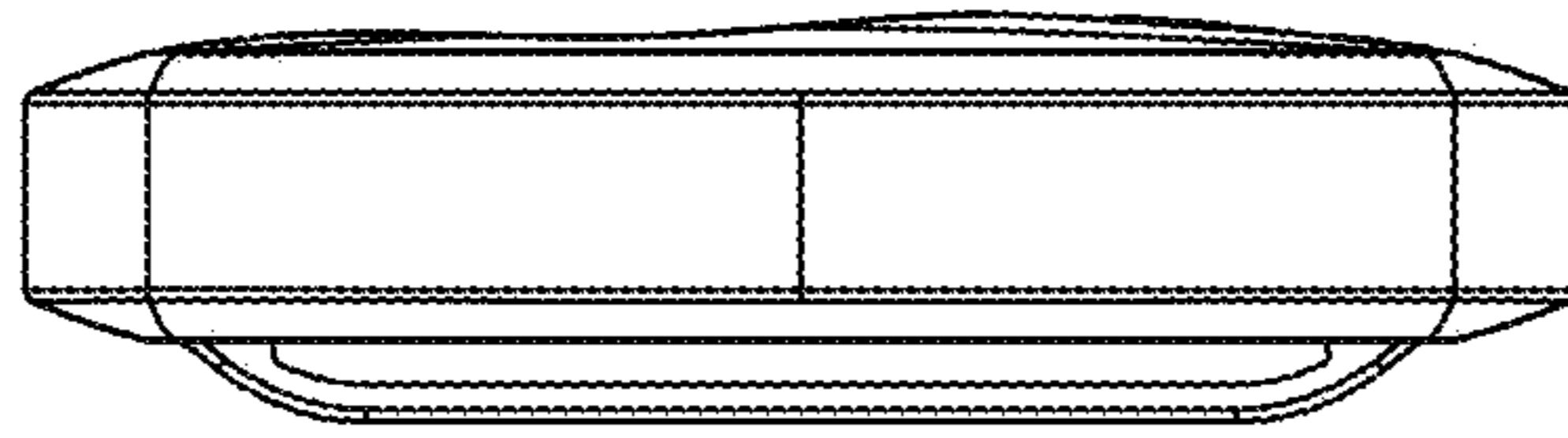


FIGURE 5

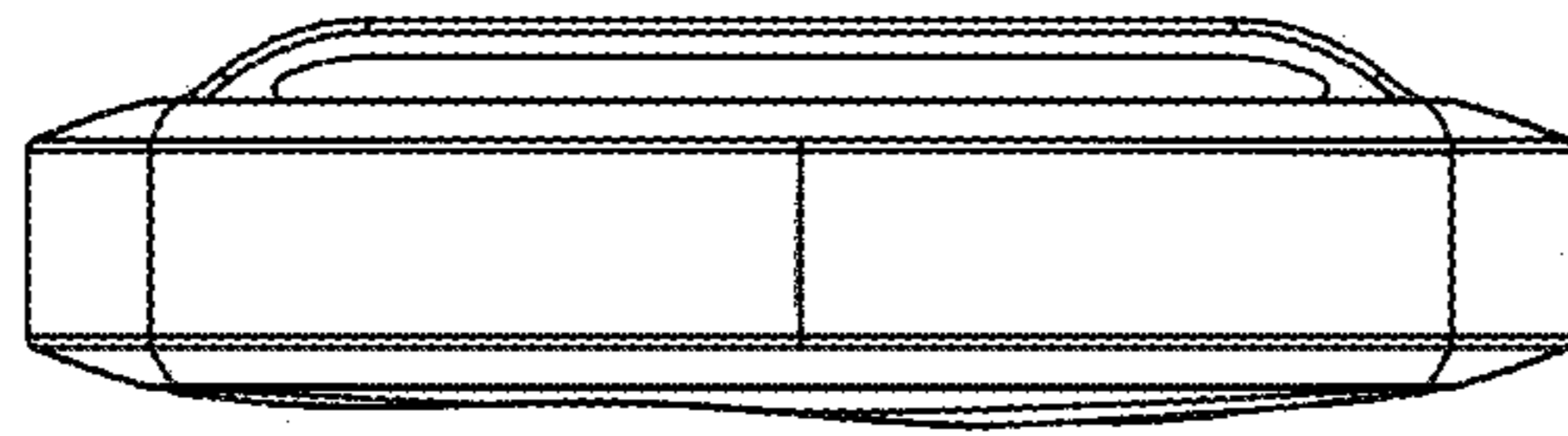


FIGURE 6

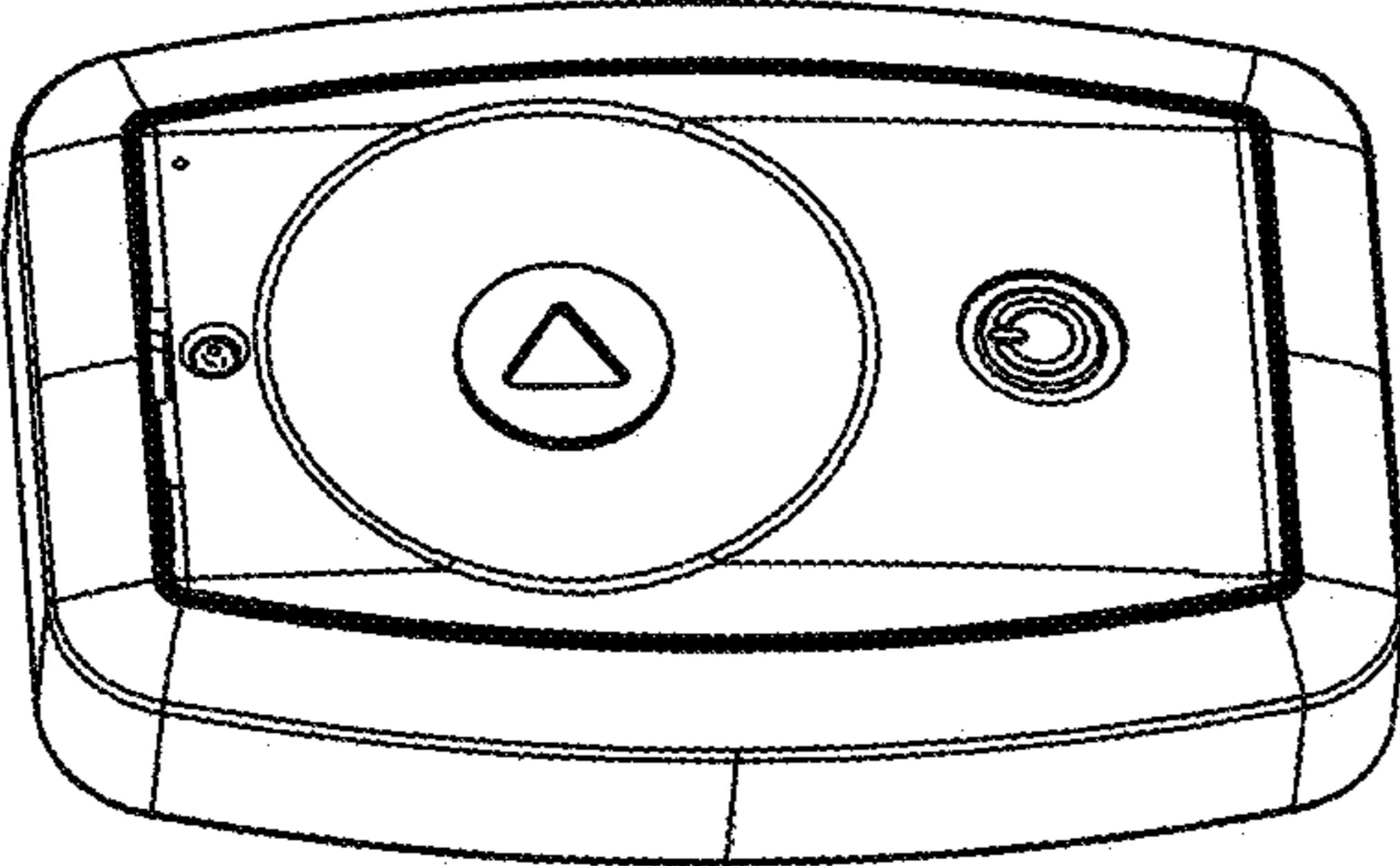


FIGURE 7

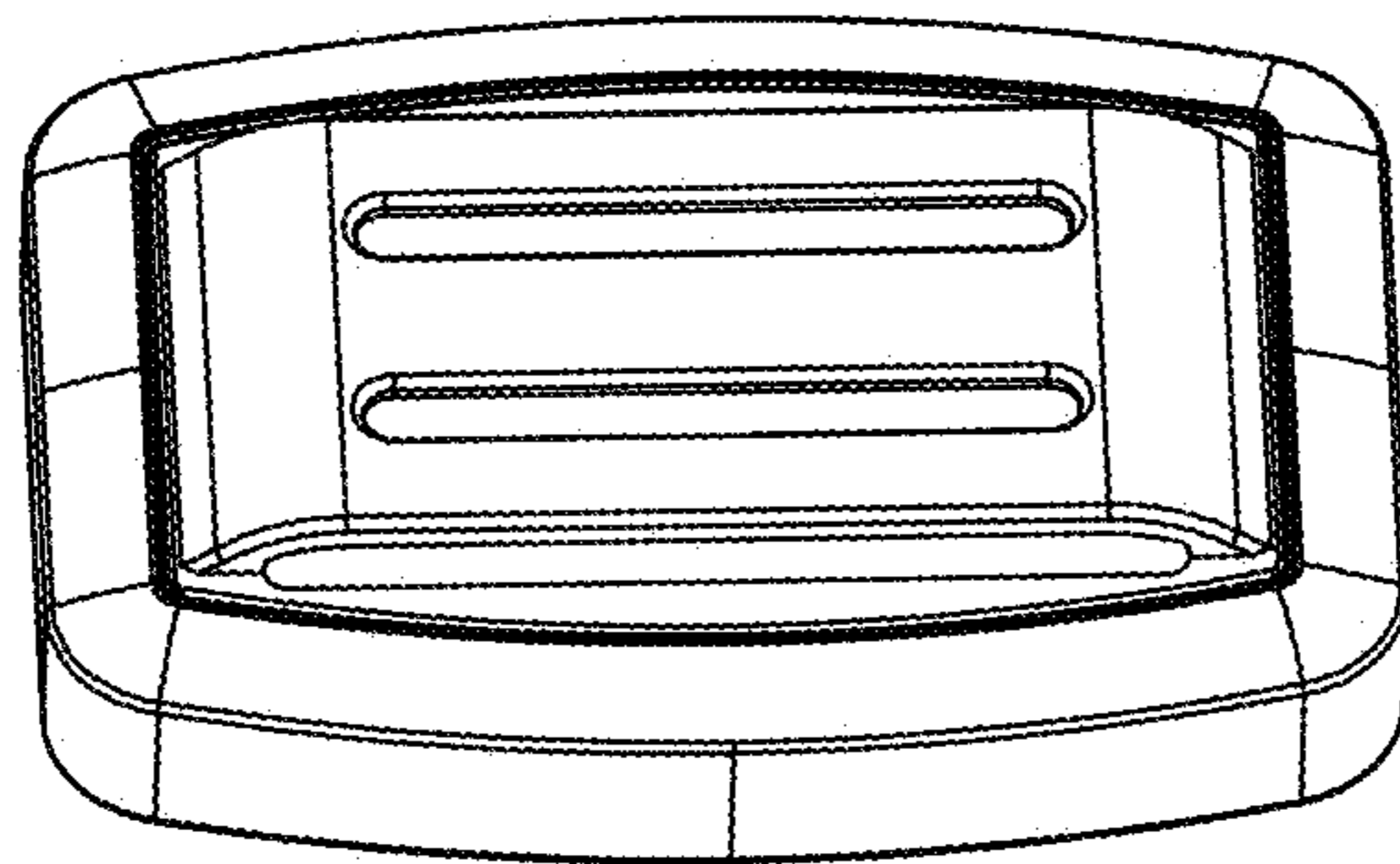


FIGURE 8