



US00D701494S

(12) **United States Design Patent**  
**Errato, Jr. et al.**

(10) **Patent No.:** **US D701,494 S**  
(45) **Date of Patent:** **\*\* Mar. 25, 2014**

(54) **OVER-MOLD STRAIN RELIEF**

*Primary Examiner* — Thomas Johannes

(76) Inventors: **Andrew Errato, Jr.**, Milford, CT (US);  
**Steven Burk**, Simi Valley, CA (US)

(74) *Attorney, Agent, or Firm* — Steven M. McHugh

(\*\*) Term: **14 Years**

(57) **CLAIM**

The ornamental design for an over-mold strain relief, as shown and described.

(21) Appl. No.: **29/417,816**

(22) Filed: **Apr. 9, 2012**

**DESCRIPTION**

(51) **LOC (10) Cl.** ..... **13-03**

(52) **U.S. Cl.**  
USPC ..... **D13/154**

(58) **Field of Classification Search**  
USPC ..... D13/123, 133, 146, 147, 149, 151, 154,  
D13/156, 184, 199; 439/491, 578, 583, 584,  
439/668, 669, 675, 751, 825; 385/76–87  
See application file for complete search history.

FIG. 1 is an isometric right-rear side perspective view of a first embodiment of an over-mold strain relief of the present invention;

FIG. 2 is a right side view thereof;

FIG. 3 is a left side view thereof;

FIG. 4 is a top view thereof;

FIG. 5 is a bottom view thereof;

FIG. 6 is a front view thereof;

FIG. 7 is a rear view thereof;

FIG. 8 is an isometric right-rear side perspective view of a second embodiment of an over-mold strain relief of the present invention;

FIG. 9 is a right side view thereof;

FIG. 10 is a left side view thereof;

FIG. 11 is a top view thereof;

FIG. 12 is a bottom view thereof;

FIG. 13 is a front view thereof; and,

FIG. 14 is a rear view thereof.

The portions shown in broken lines show unclaimed subject matter only and form no part of the claimed design.

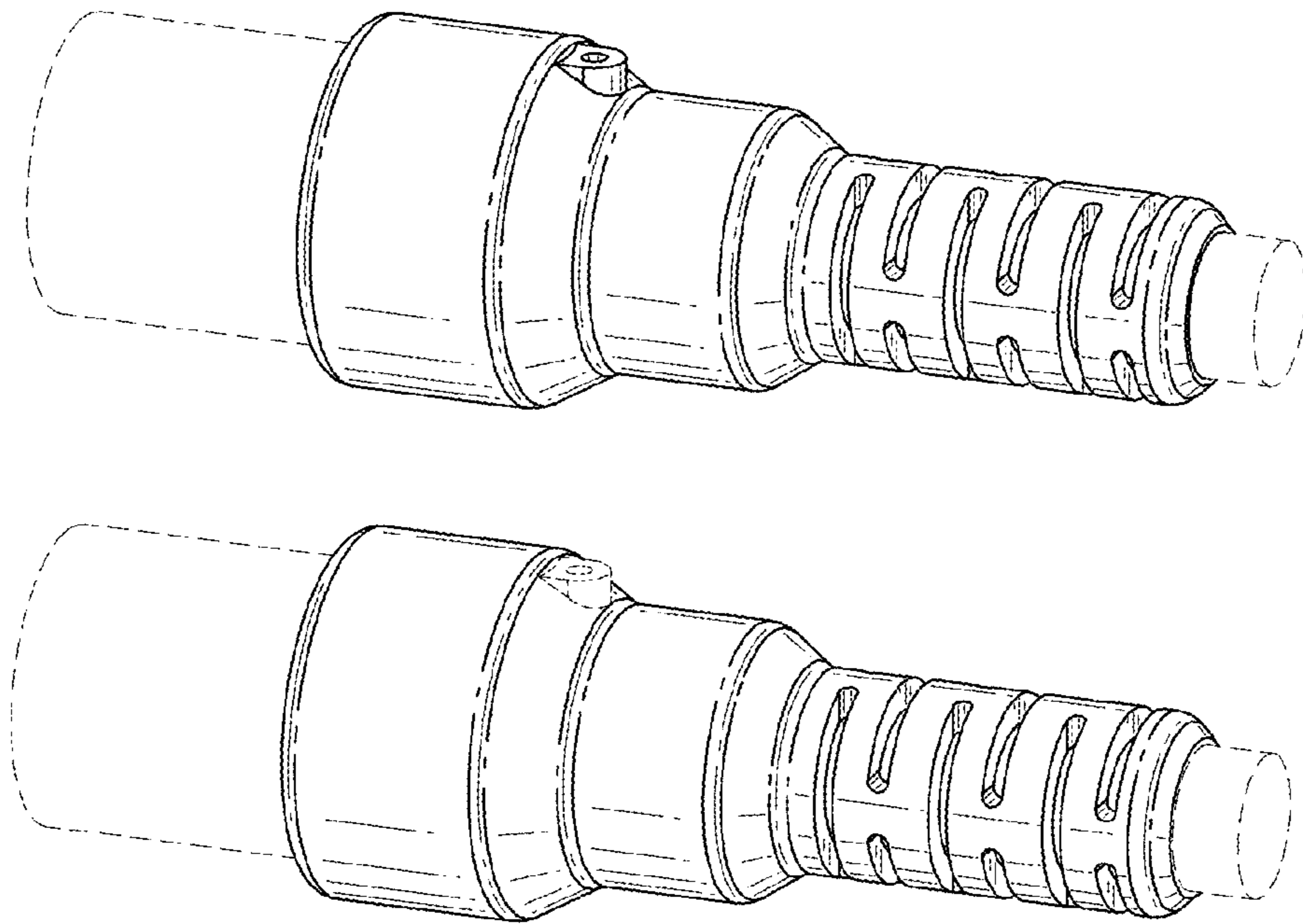
(56) **References Cited**

**U.S. PATENT DOCUMENTS**

3,395,244	A *	7/1968	Koehler	174/135
3,610,808	A *	10/1971	Horwinski	174/115
D334,172	S *	3/1993	Wilcoxon	D13/133
5,202,942	A *	4/1993	Collins et al.	385/87
D412,312	S *	7/1999	Myers	D13/146
D412,883	S *	8/1999	Nakazawa	D13/146
D413,100	S *	8/1999	Nakazawa	D13/146
D515,511	S *	2/2006	Nishio et al.	D13/147
D580,356	S *	11/2008	Shing et al.	D13/133
D610,989	S *	3/2010	Amidon	D13/133

\* cited by examiner

**1 Claim, 4 Drawing Sheets**



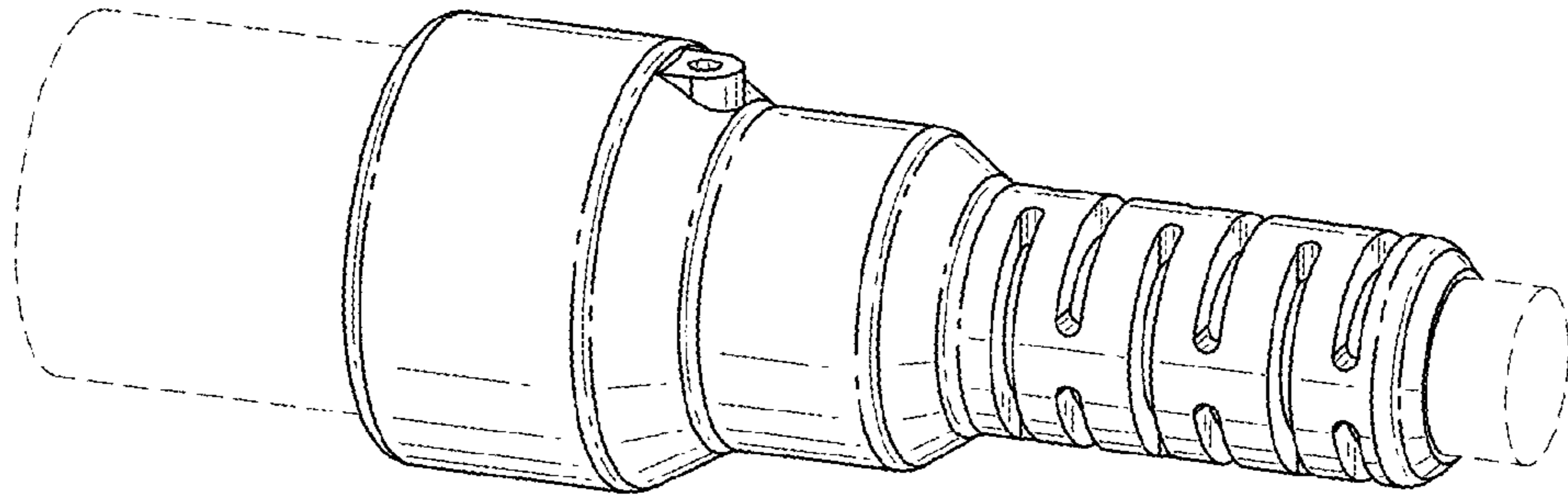


FIG. 1

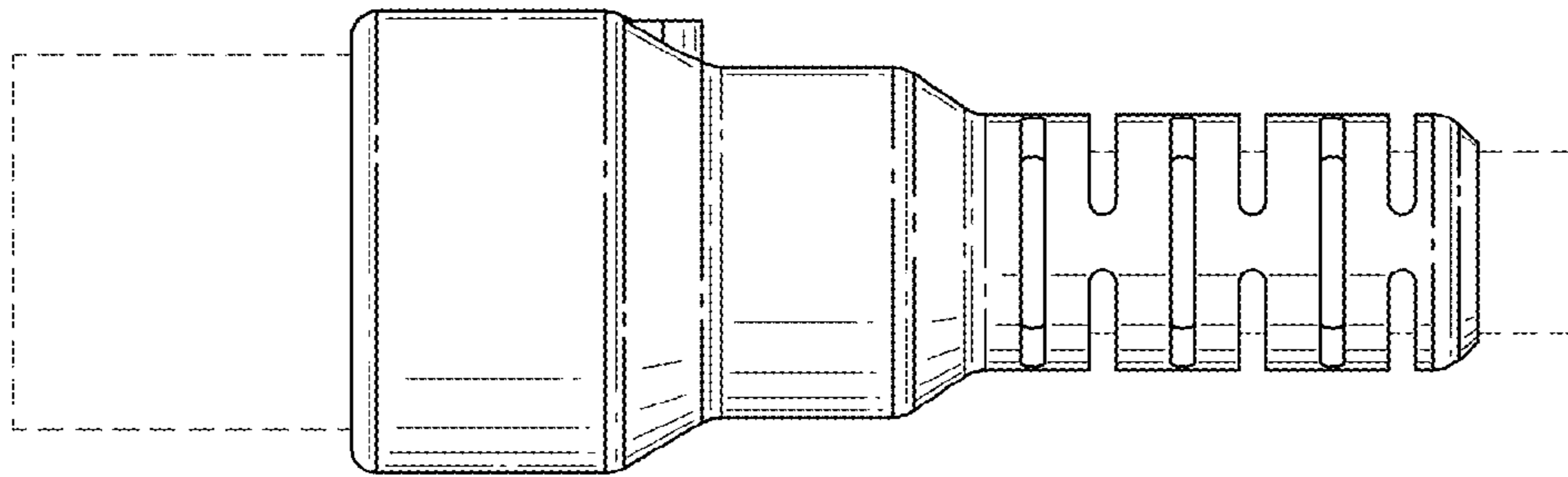


FIG. 2

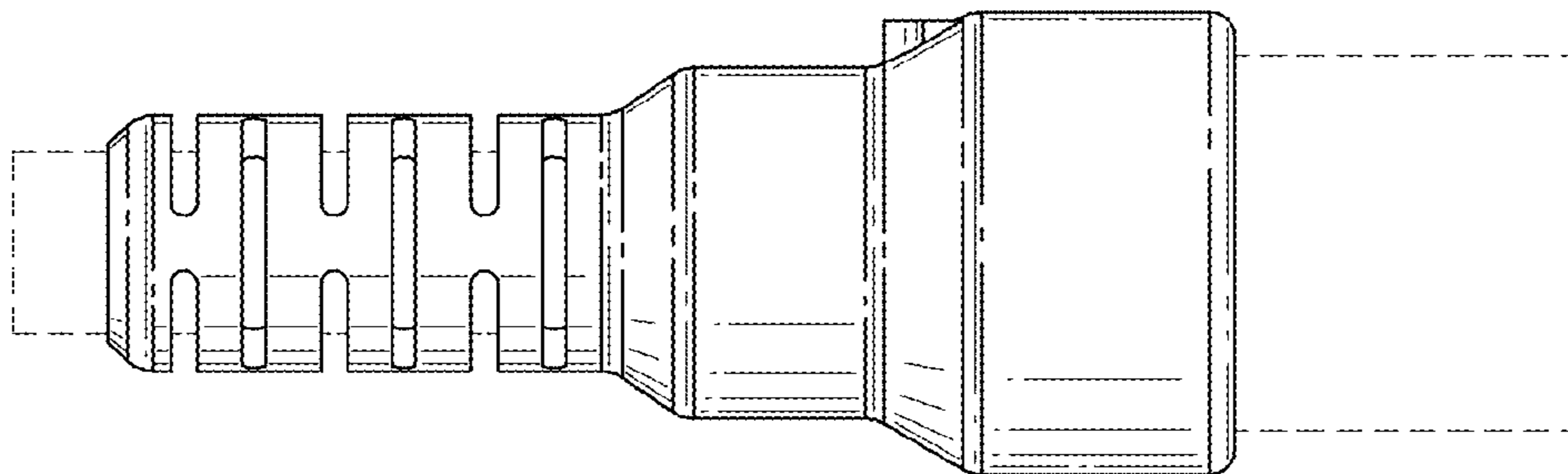


FIG. 3

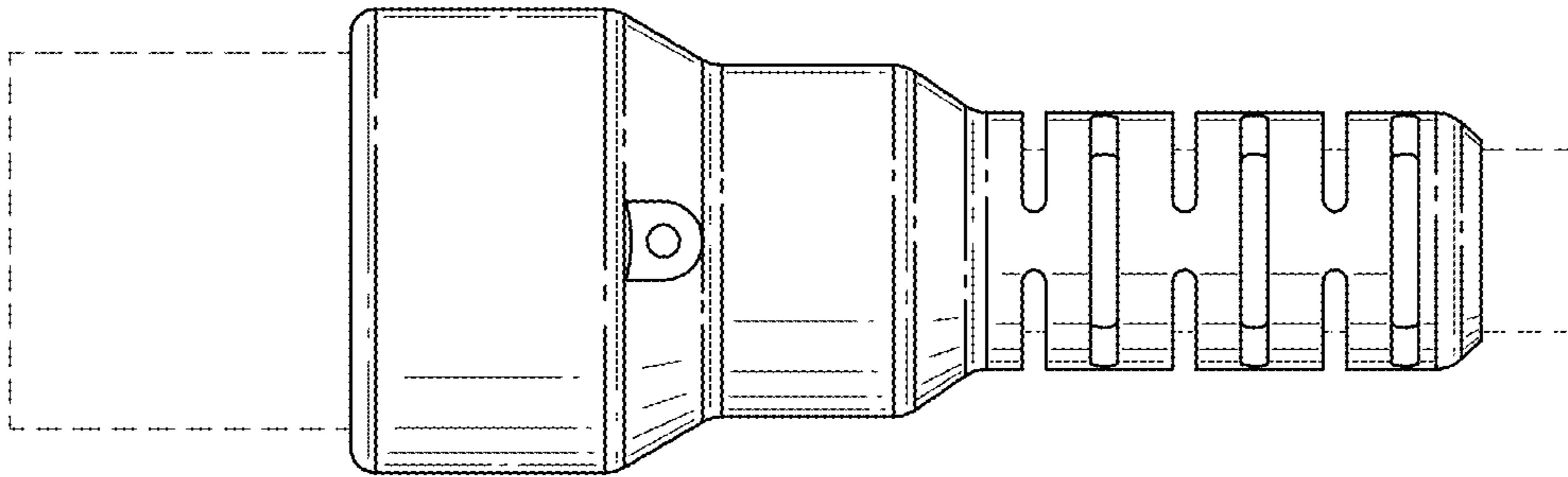


FIG. 4

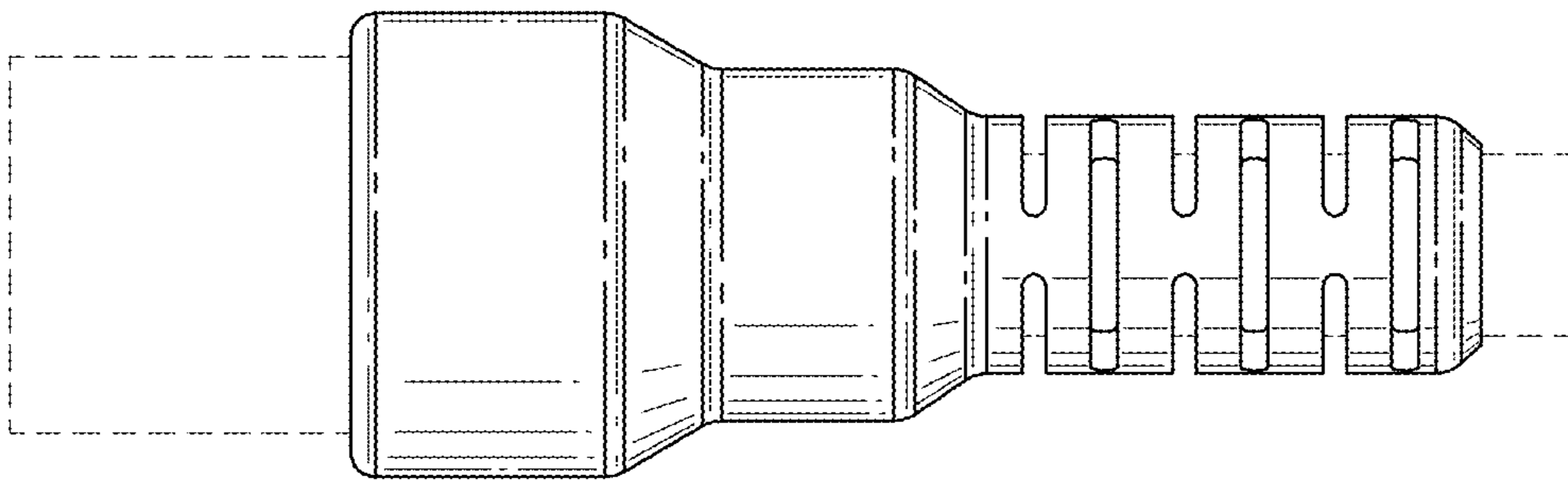


FIG. 5

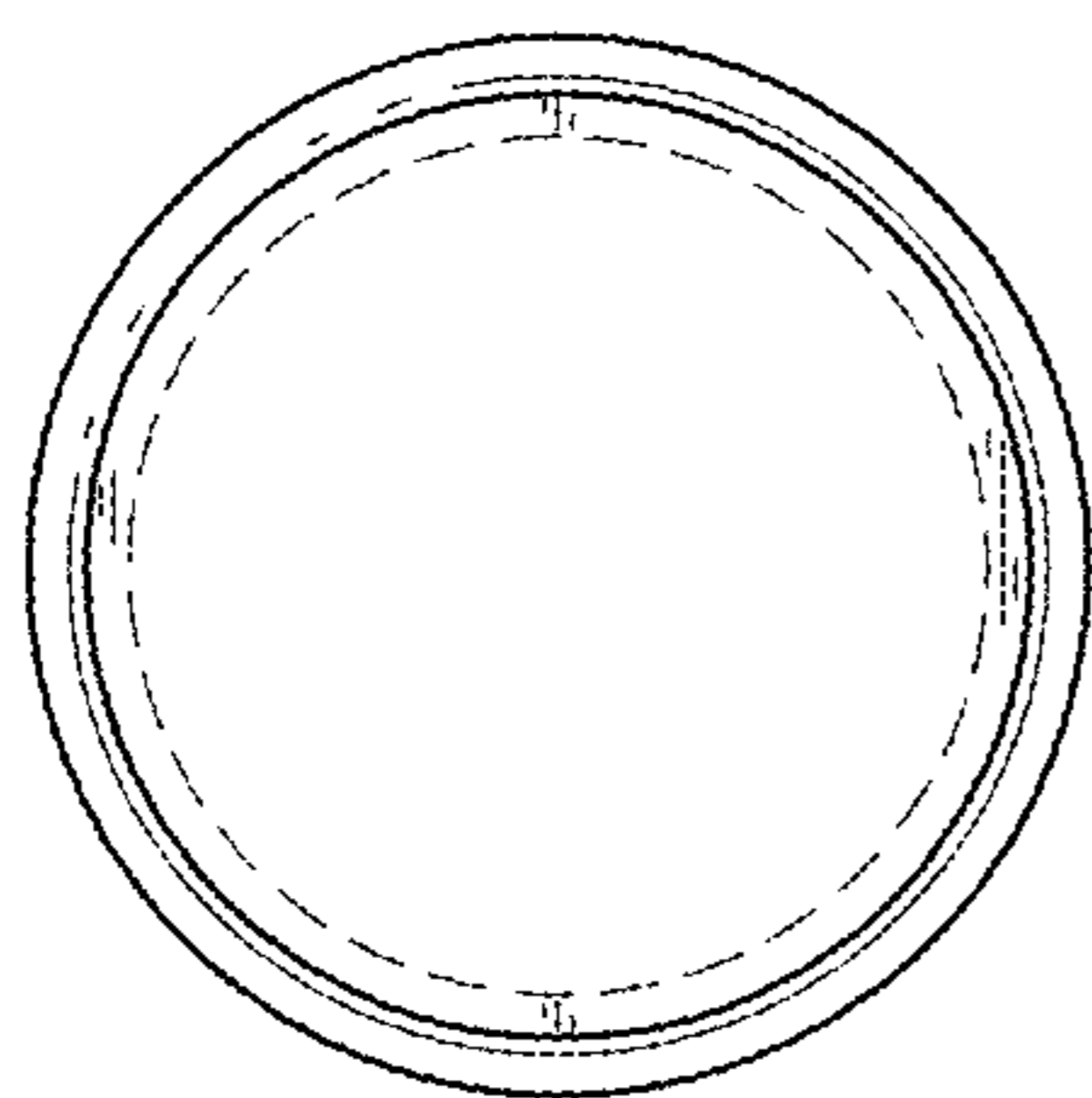


FIG. 6

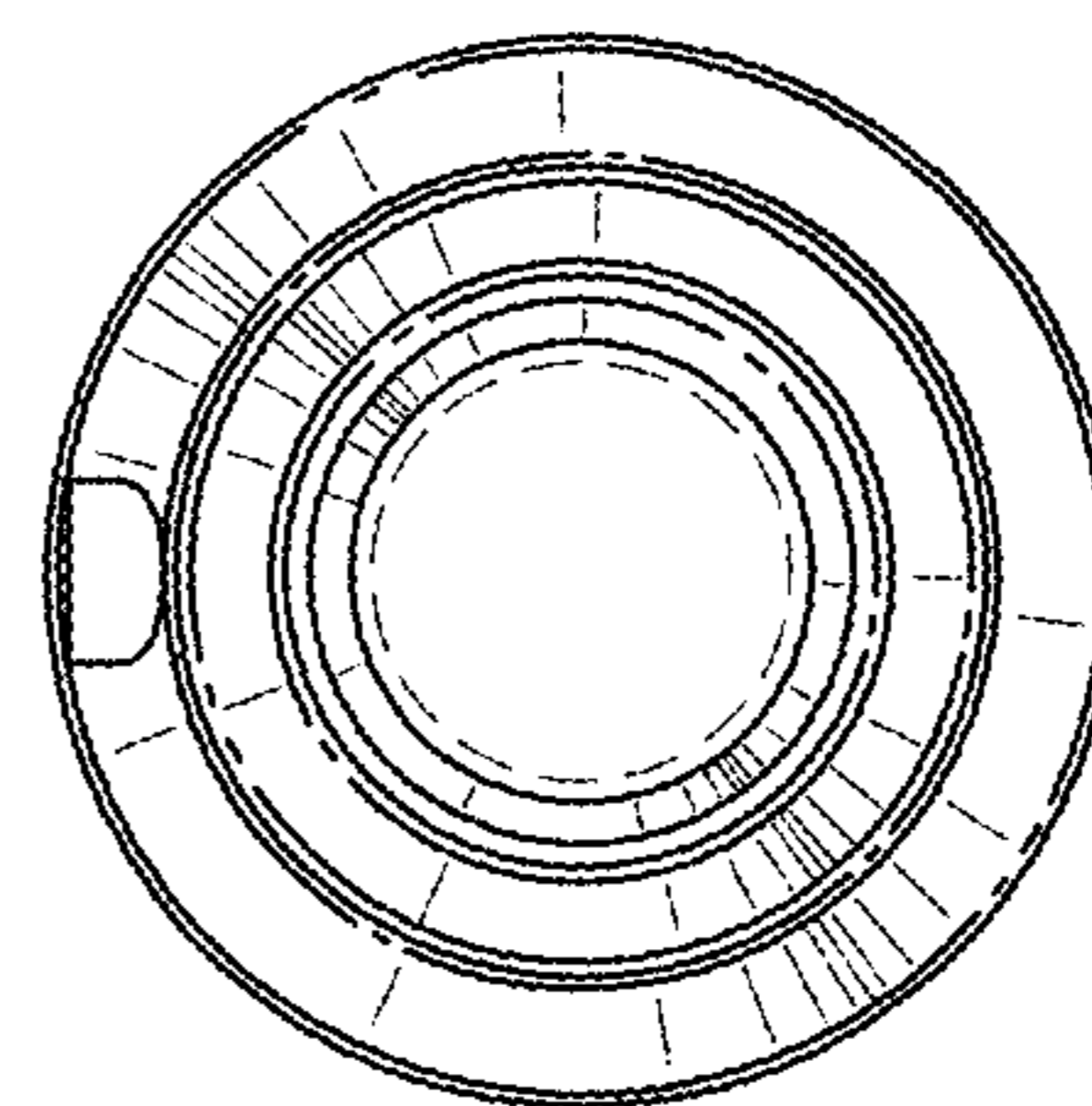


FIG. 7

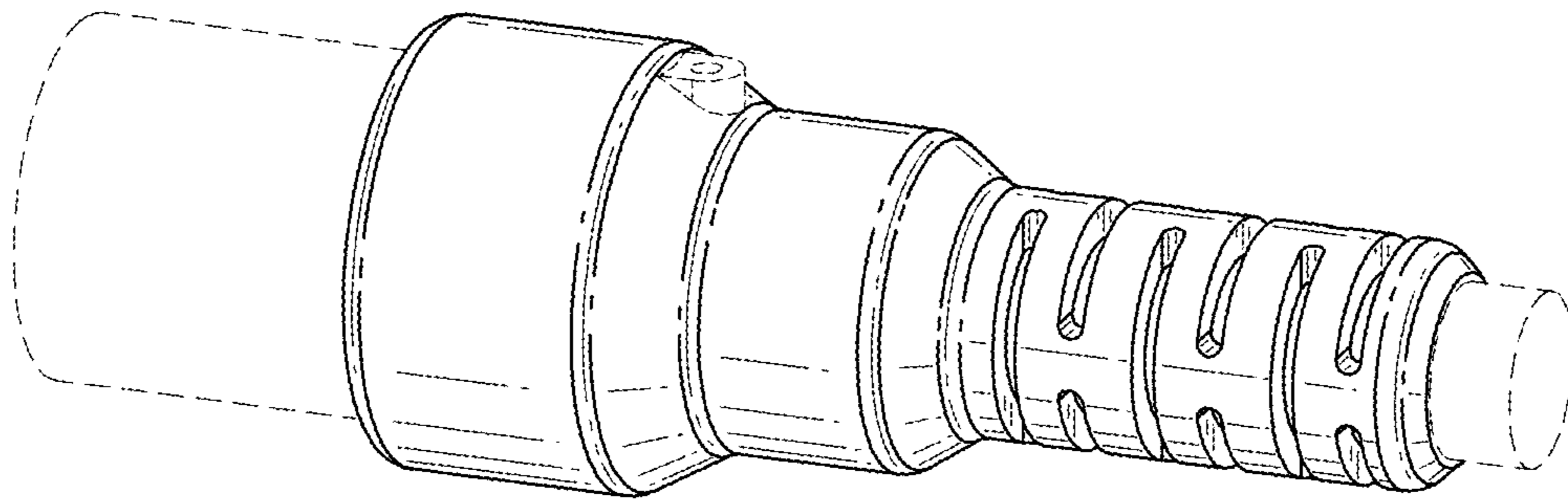


FIG. 8

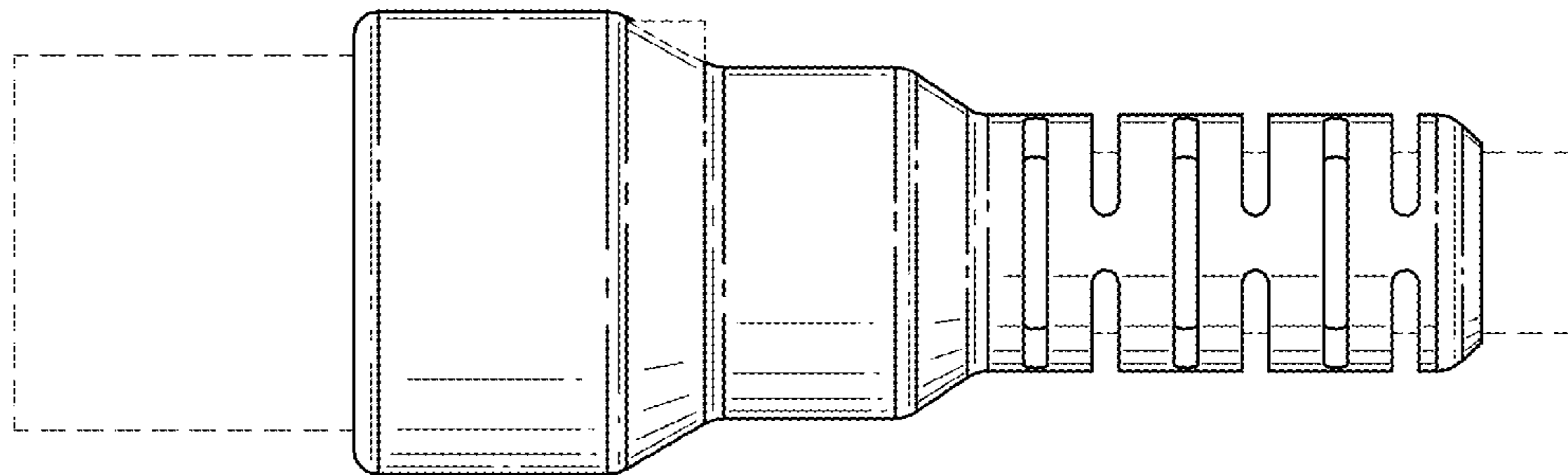


FIG. 9

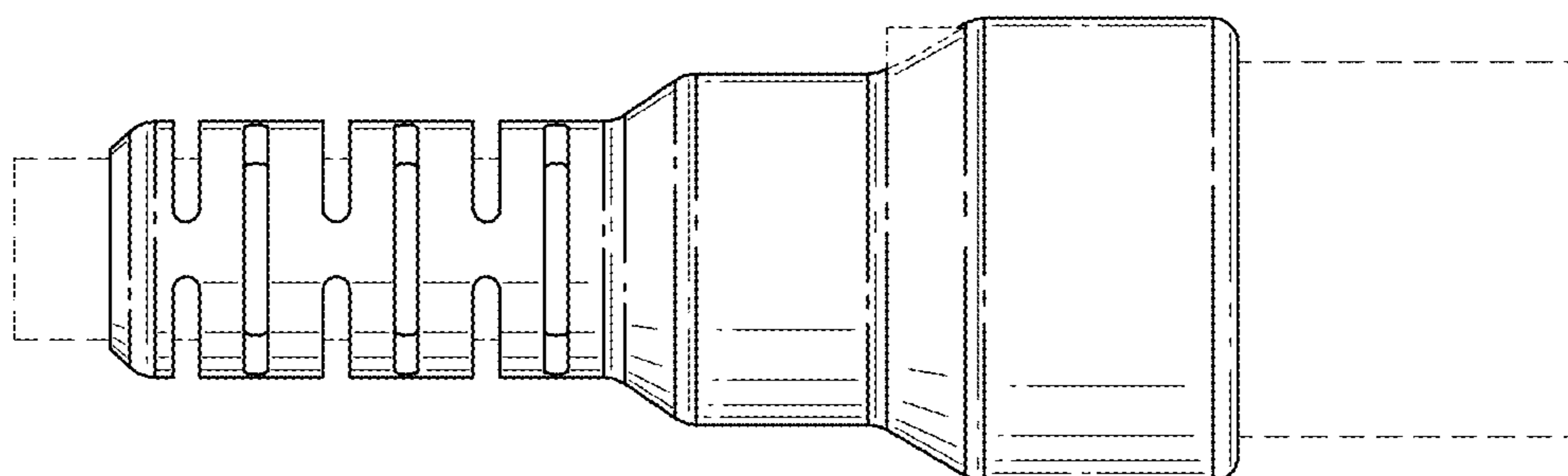
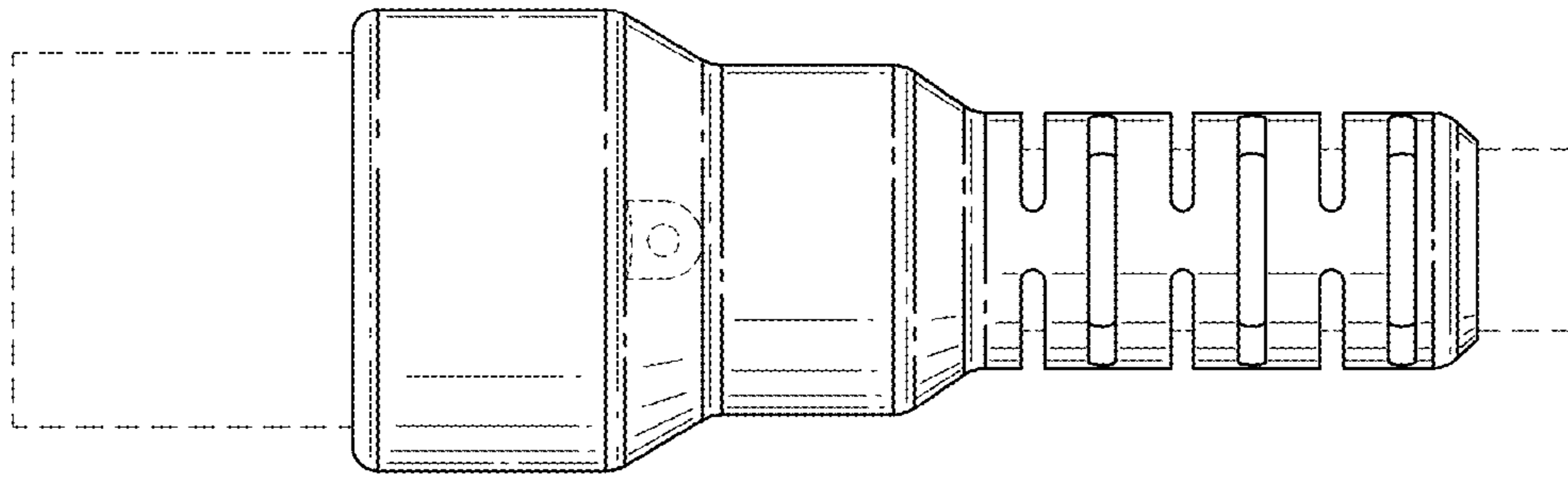
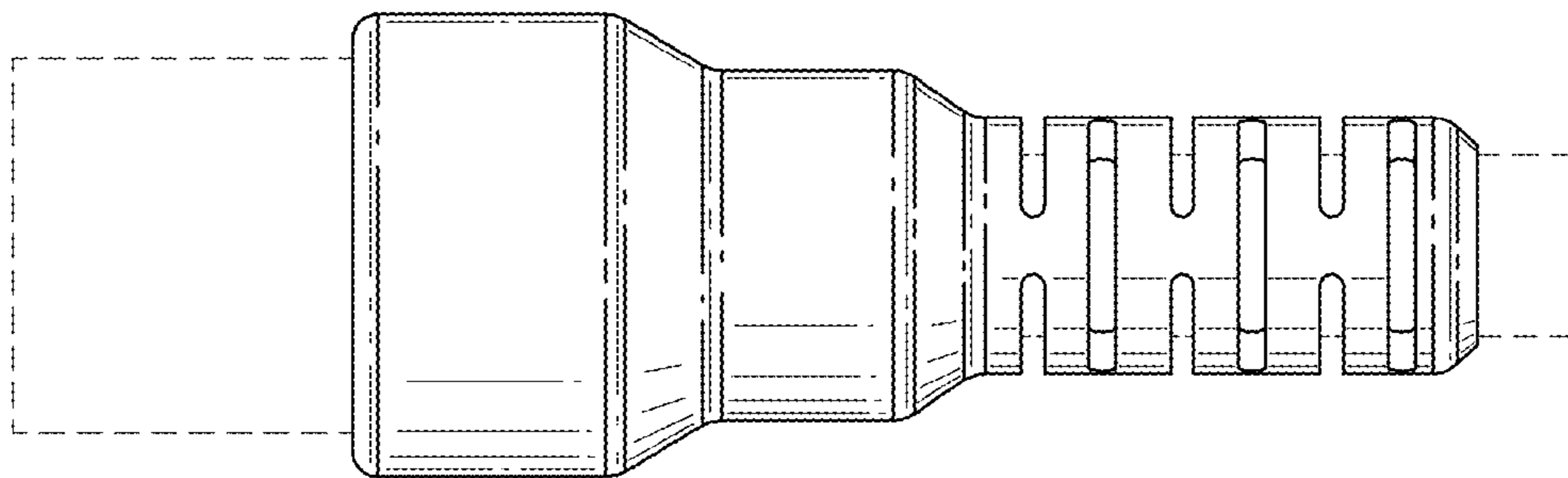


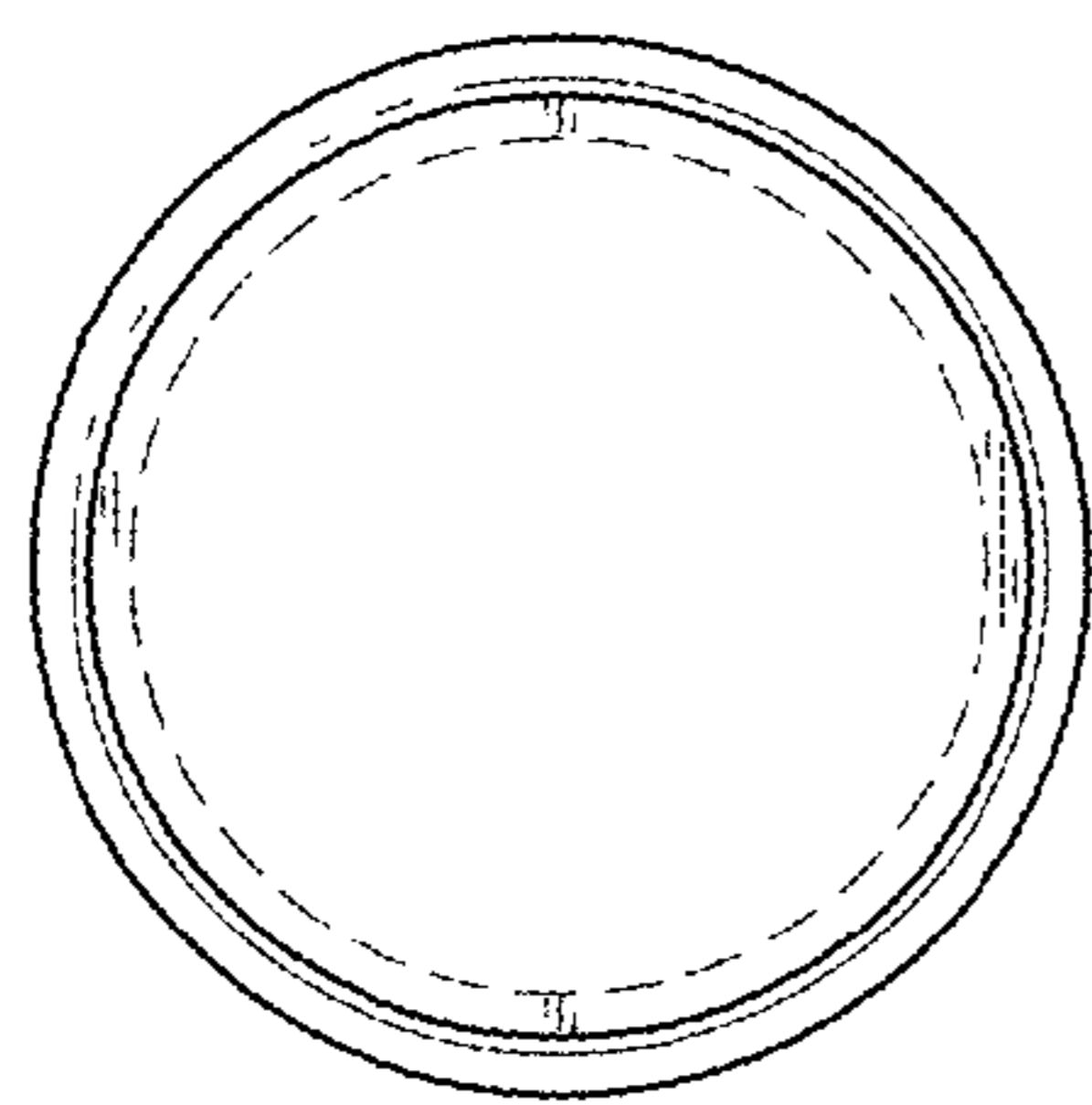
FIG. 10



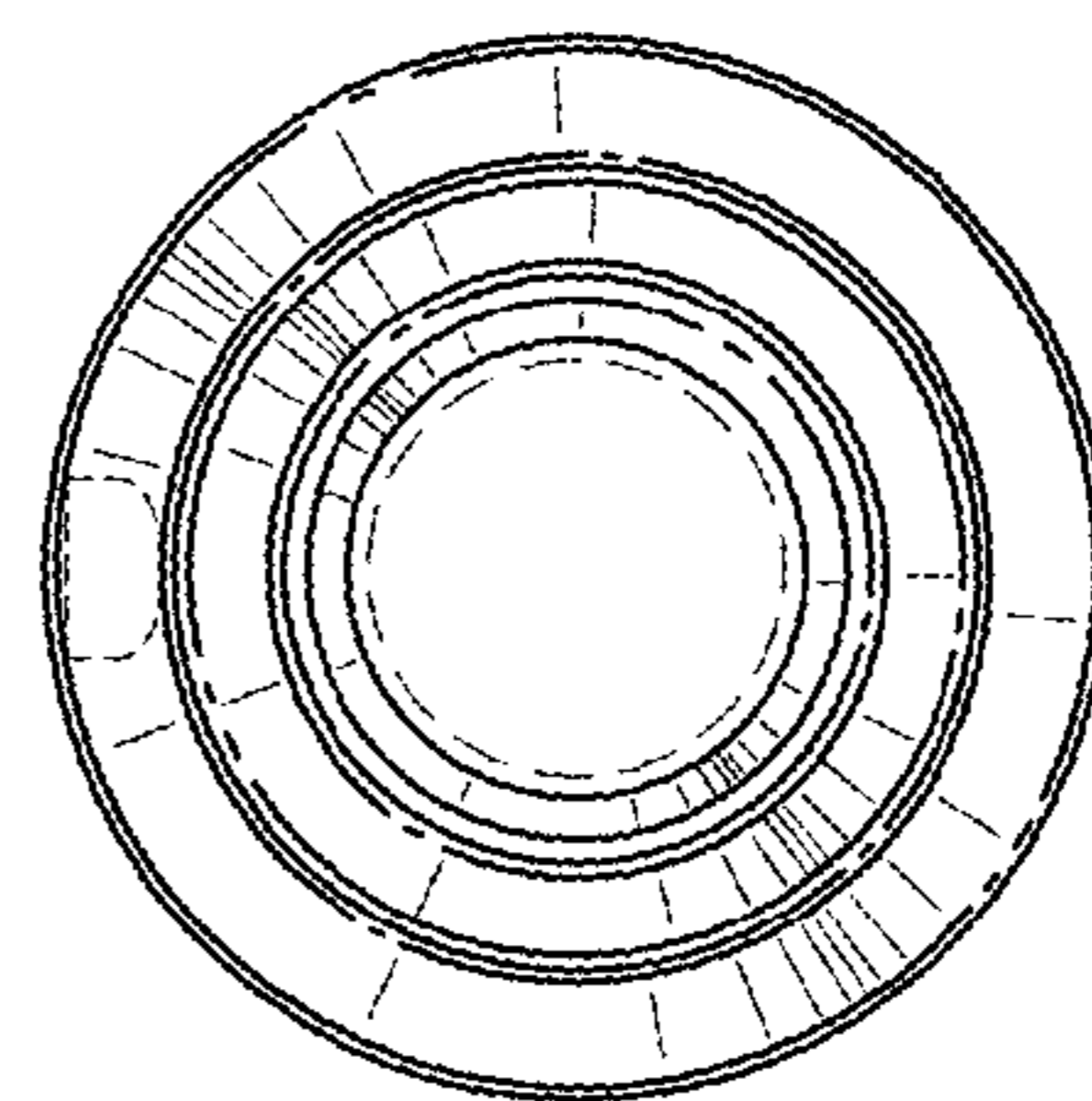
*FIG. 11*



*FIG. 12*



*FIG. 13*



*FIG. 14*