



US00D701493S

(12) **United States Design Patent**
Takemoto

(10) **Patent No.:** **US D701,493 S**
(45) **Date of Patent:** **** Mar. 25, 2014**

(54) **ELECTRICAL CONNECTOR**

(71) Applicant: **Dai-Ichi Seiko Co., Ltd.**, Kyoto (JP)

(72) Inventor: **Masatoshi Takemoto**, Tokyo (JP)

(73) Assignee: **Dai-Ichi Seiko Co., Ltd.**, Kyoto (JP)

(**) Term: **14 Years**

(21) Appl. No.: **29/440,983**

(22) Filed: **Dec. 28, 2012**

(30) **Foreign Application Priority Data**

Nov. 9, 2012 (JP) 2012-027348

(51) **LOC (10) Cl.** **13-03**

(52) **U.S. Cl.**
USPC **D13/147**

(58) **Field of Classification Search**
USPC D13/120, 133, 147, 154, 184, 199;
439/78-79, 83, 108, 181, 607.01,
439/607.04, 607.05, 607.17, 607.25,
439/607.34, 74, 607.41, 607.53, 630, 660
See application file for complete search history.

(56) **References Cited**

U.S. PATENT DOCUMENTS

D539,226 S * 3/2007 Yamada et al. D13/147
D576,103 S * 9/2008 Kojima et al. D13/147

D609,649 S * 2/2010 Kai et al. D13/147
D614,141 S * 4/2010 Takemoto D13/147
D688,210 S * 8/2013 Mashiyama et al. D13/147
2003/0124892 A1 * 7/2003 Soh 439/181

FOREIGN PATENT DOCUMENTS

JP D1418225 S 6/2011
JP D1418227 S 6/2011
JP D1437303 S 3/2012

* cited by examiner

Primary Examiner — Daniel Bui

(74) *Attorney, Agent, or Firm* — Studebaker & Brackett PC

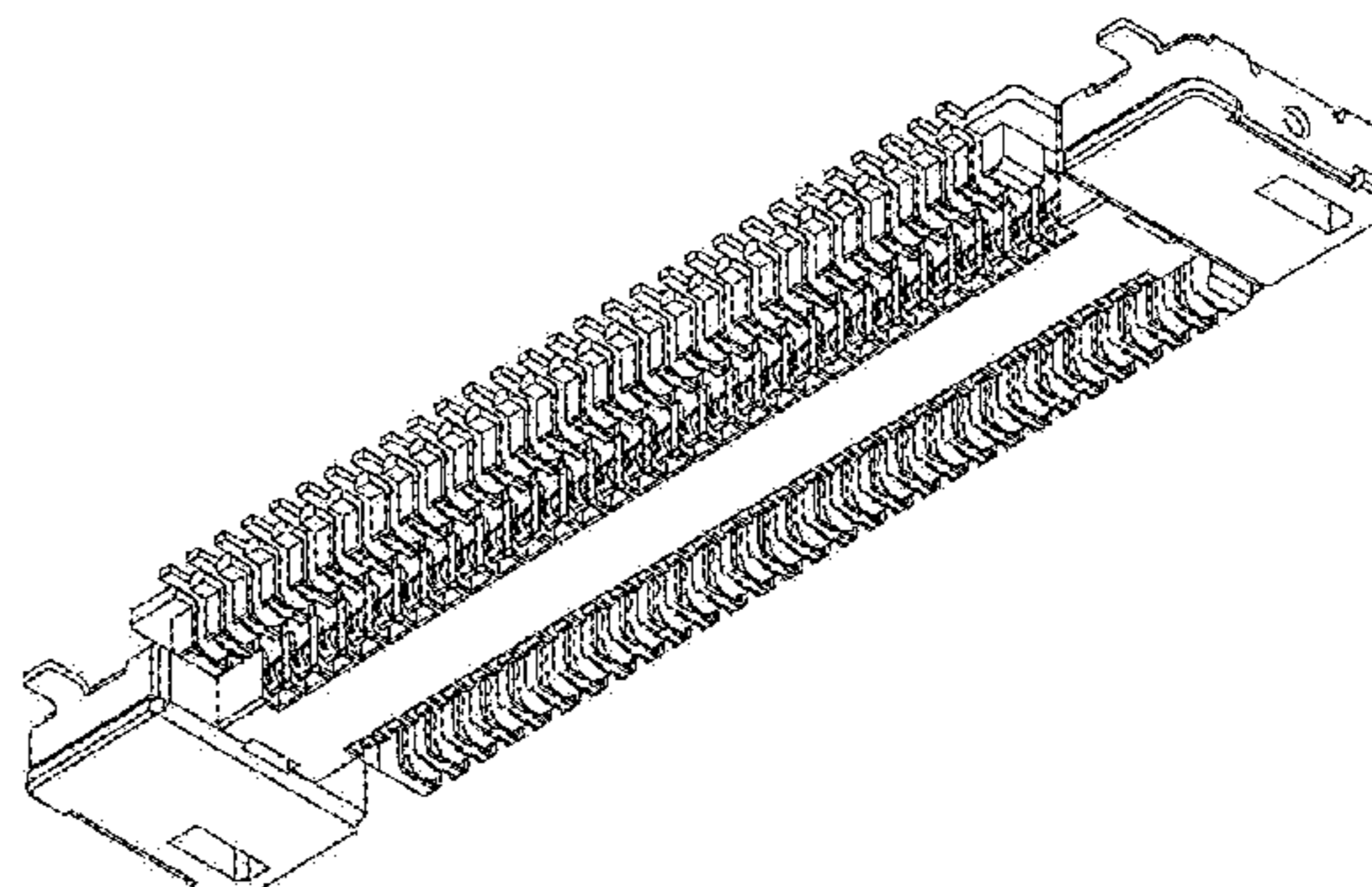
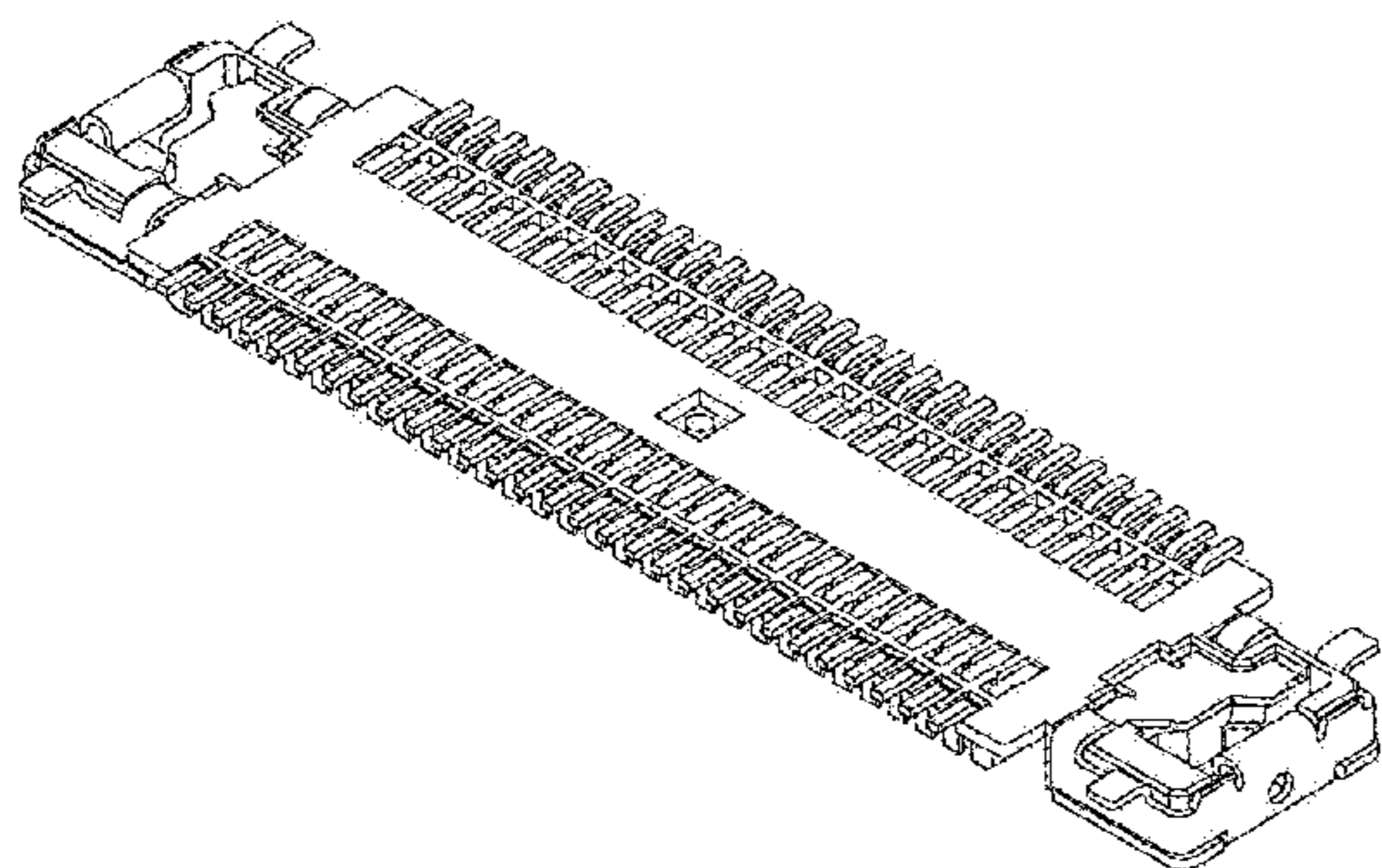
(57) **CLAIM**

The ornamental design for an electrical connector, as shown and described.

DESCRIPTION

FIG. 1 is a top plan view of an electrical connector showing my new design;
FIG. 2 is a front view thereof;
FIG. 3 is a bottom view thereof;
FIG. 4 is a rear view thereof;
FIG. 5 is a right side view thereof;
FIG. 6 is a left side view thereof;
FIG. 7 is a front, top and right side perspective view thereof;
and,
FIG. 8 is a front, bottom and right side perspective view thereof.

1 Claim, 7 Drawing Sheets



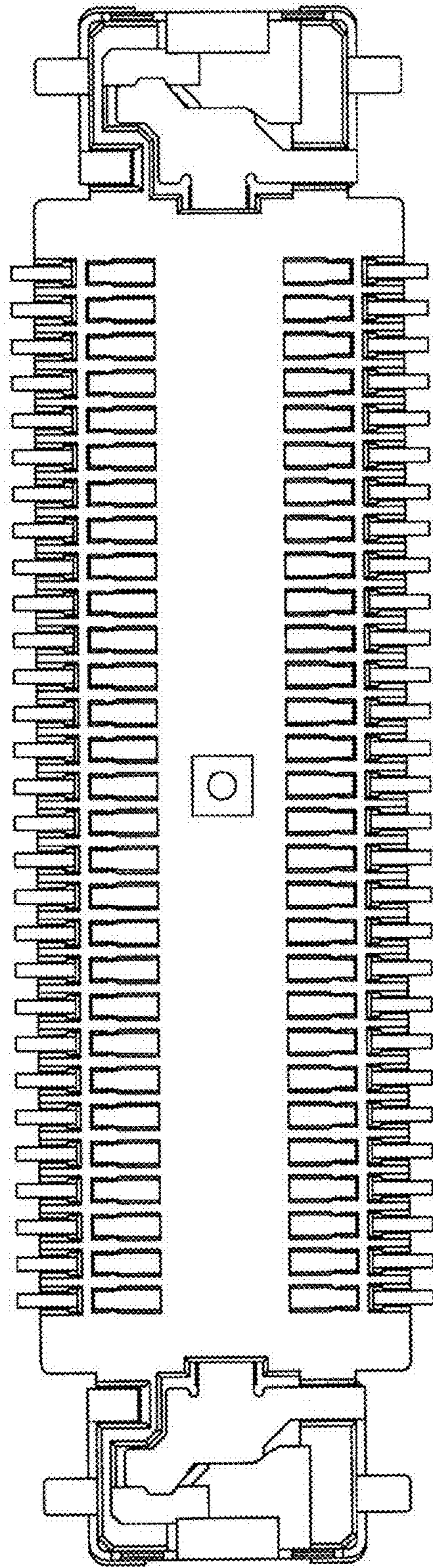


FIG. 1

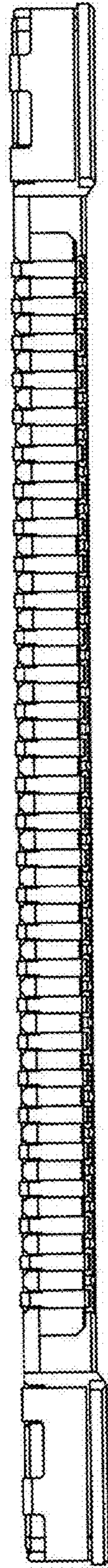


FIG. 2

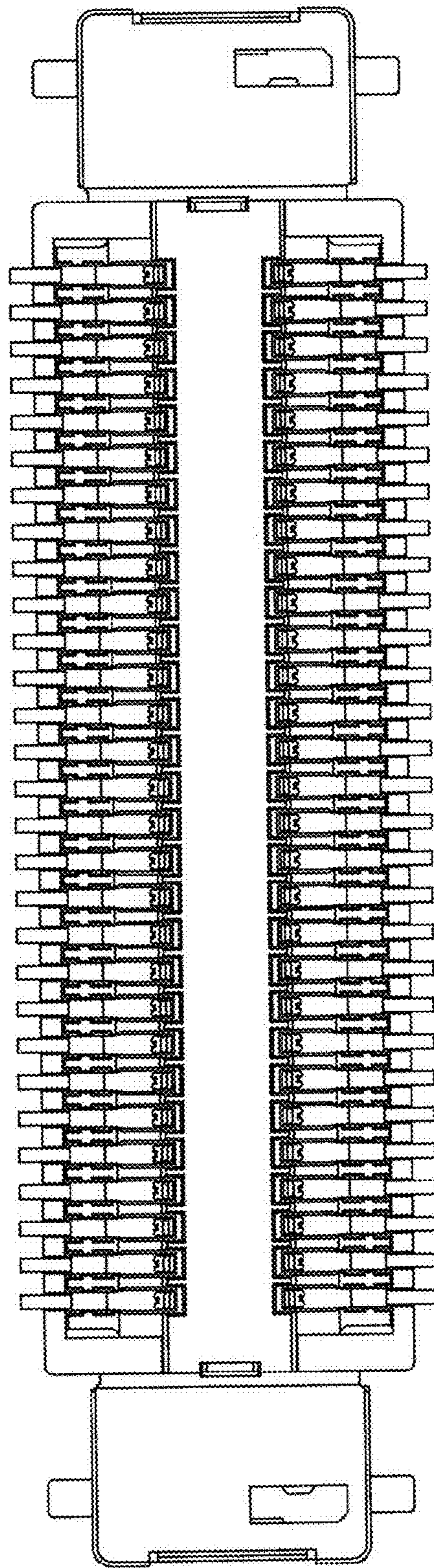


FIG. 3

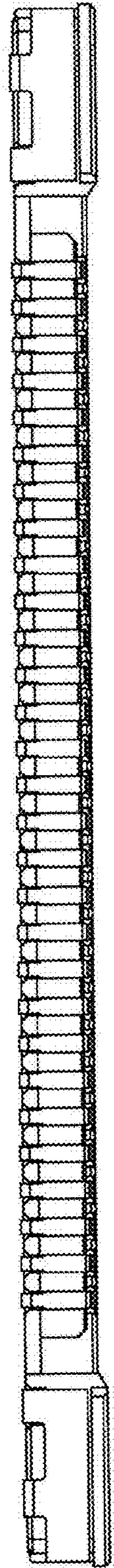
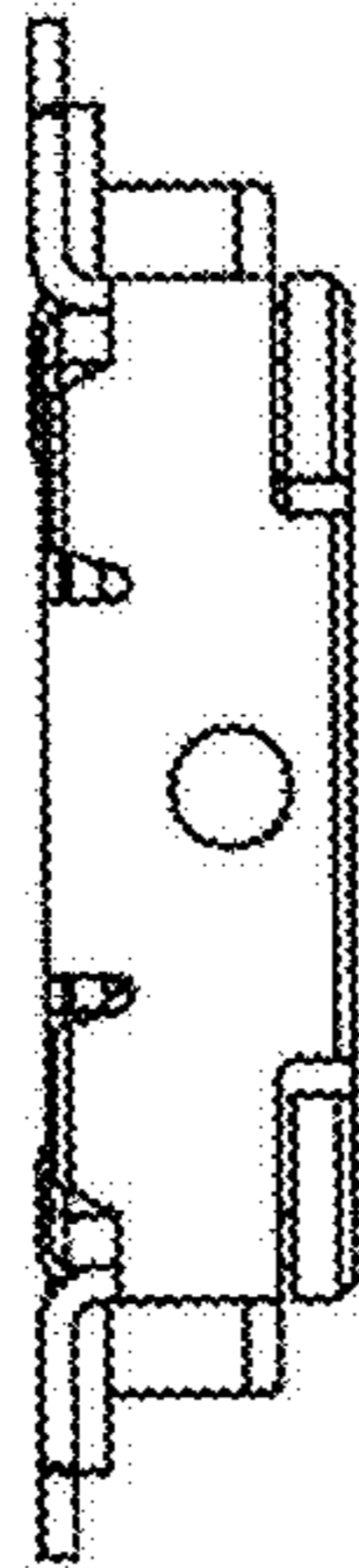


FIG. 4



FIG. 5

FIG. 6



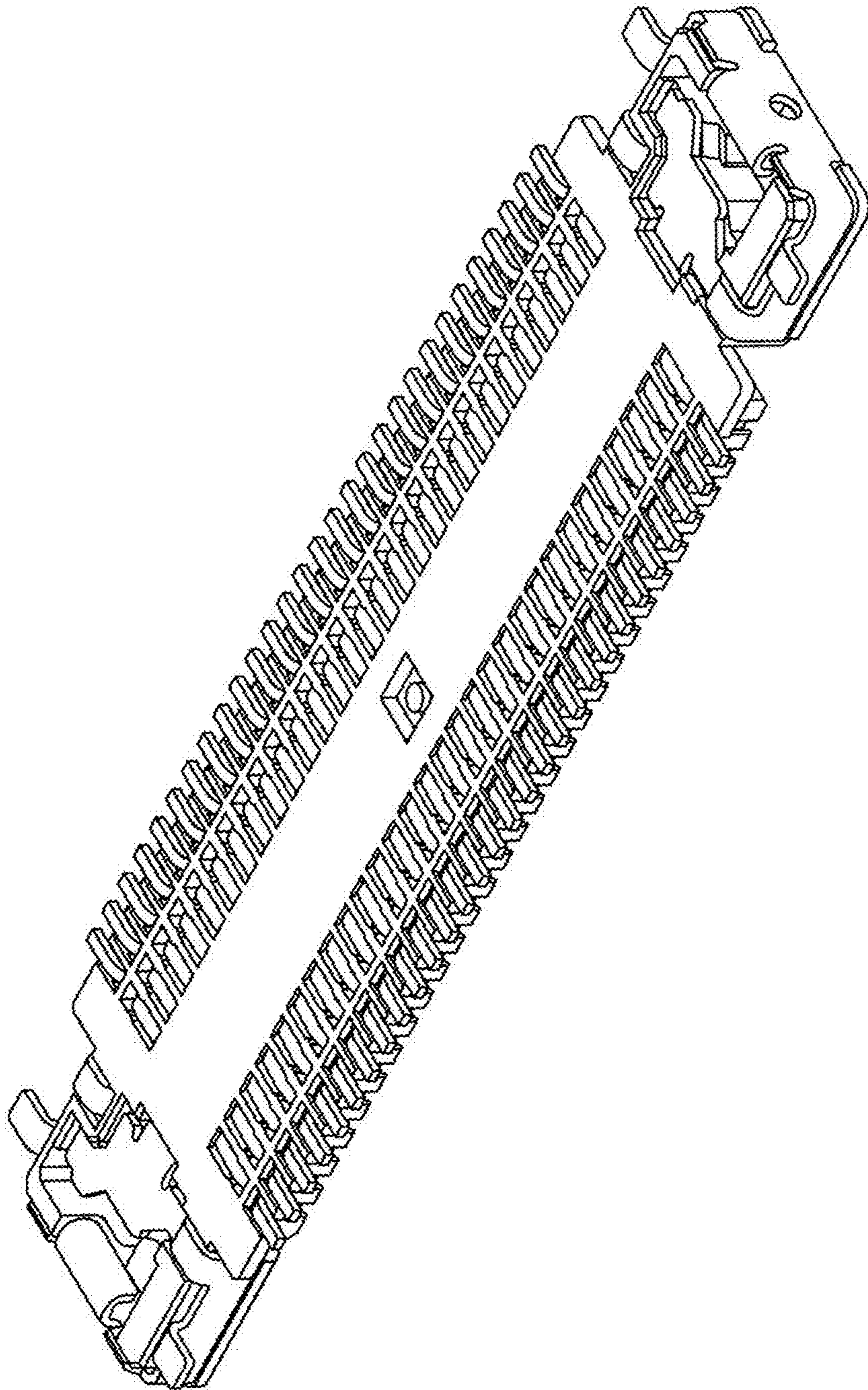


FIG. 7

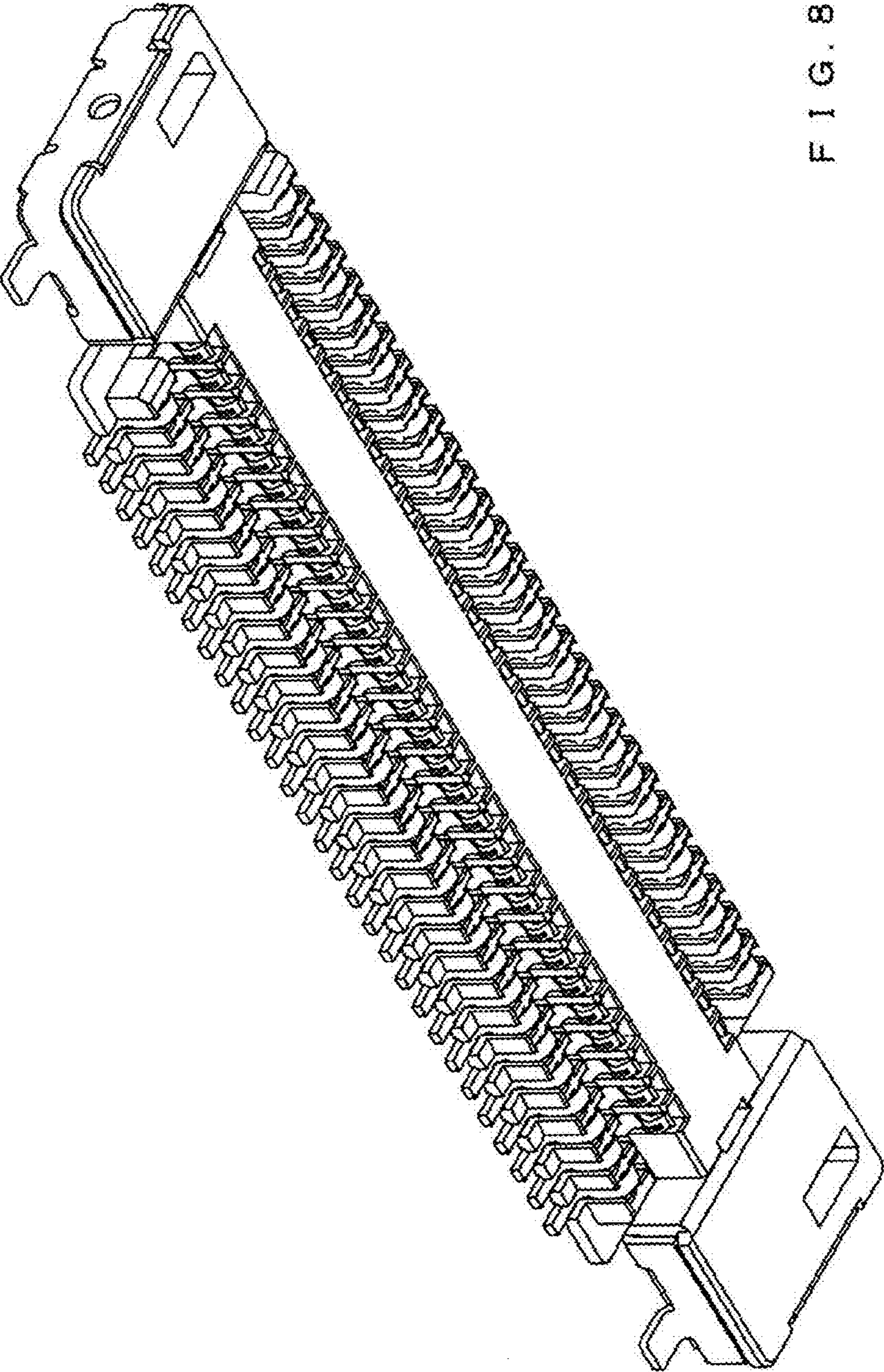


FIG. 8