



US00D701492S

(12) **United States Design Patent**
Miyoshi

(10) **Patent No.:** **US D701,492 S**
(45) **Date of Patent:** **** Mar. 25, 2014**

(54) **ELECTRICAL CONNECTOR**

(75) Inventor: **Toshiharu Miyoshi, Yao (JP)**

(73) Assignee: **Hodisen Corporation, Yao-Shi (JP)**

(**) Term: **14 Years**

(21) Appl. No.: **29/426,481**

(22) Filed: **Jul. 6, 2012**

(30) **Foreign Application Priority Data**

Jan. 13, 2012 (JP) 2012-000538

(51) **LOC (10) CL.** **13-03**

(52) **U.S. CL.**
USPC **D13/147**

(58) **Field of Classification Search**
USPC D13/147, 154, 184, 199; 439/79, 108,
439/378, 607.01, 607.04, 607.05, 607.17,
439/607.25, 607.34, 607.41, 607.53, 668,
439/680

See application file for complete search history.

(56) **References Cited**

U.S. PATENT DOCUMENTS

D425,868 S * 5/2000 Doorhy et al. D13/147
D450,657 S * 11/2001 Wu D13/147

D466,869 S * 12/2002 Chen et al. D13/147
D479,197 S * 9/2003 Zhang et al. D13/146
D629,753 S * 12/2010 Chang D13/147
D651,176 S * 12/2011 Kobayashi et al. D13/147
D687,780 S * 8/2013 Shimizu D13/147
2005/0101194 A1* 5/2005 Deng et al. 439/676

* cited by examiner

Primary Examiner — Daniel Bui

(74) *Attorney, Agent, or Firm* — Rankin, Hill & Clark LLP

(57) **CLAIM**

The ornamental design for an electrical connector, as shown and described.

DESCRIPTION

FIG. 1 is a front, left side and top perspective view of an electrical connector showing my new design;
FIG. 2 is a front, left side and bottom perspective view thereof;
FIG. 3 is a front elevation view thereof, a rear elevation view being a mirror image thereof;
FIG. 4 is a left side view thereof;
FIG. 5 is a right side view thereof;
FIG. 6 is a top plan view thereof;
FIG. 7 is a bottom plan view thereof; and,
FIG. 8 is a sectional view taken along a line A-A in FIG. 4 thereof.

1 Claim, 4 Drawing Sheets

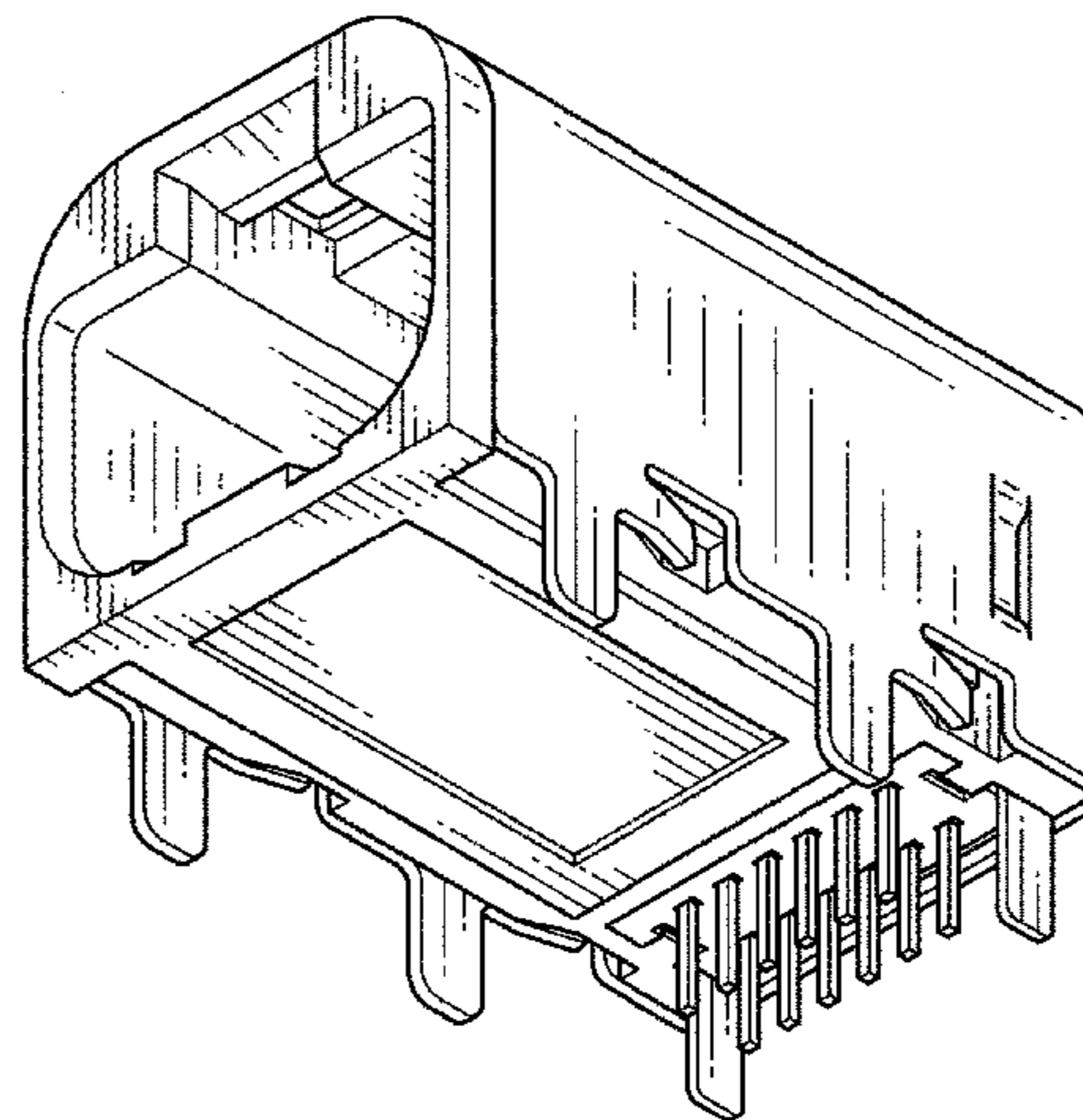
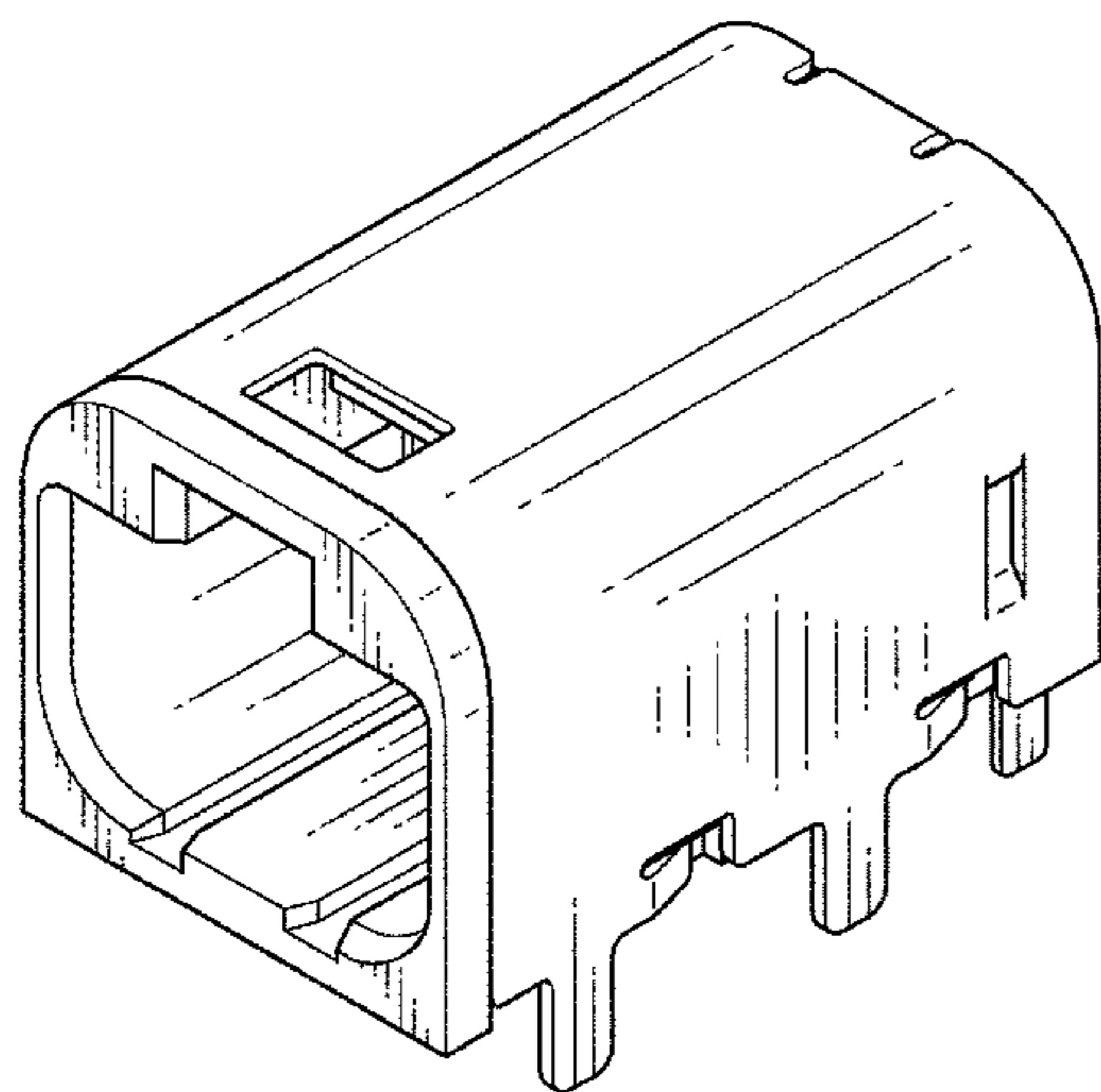


Fig. 1

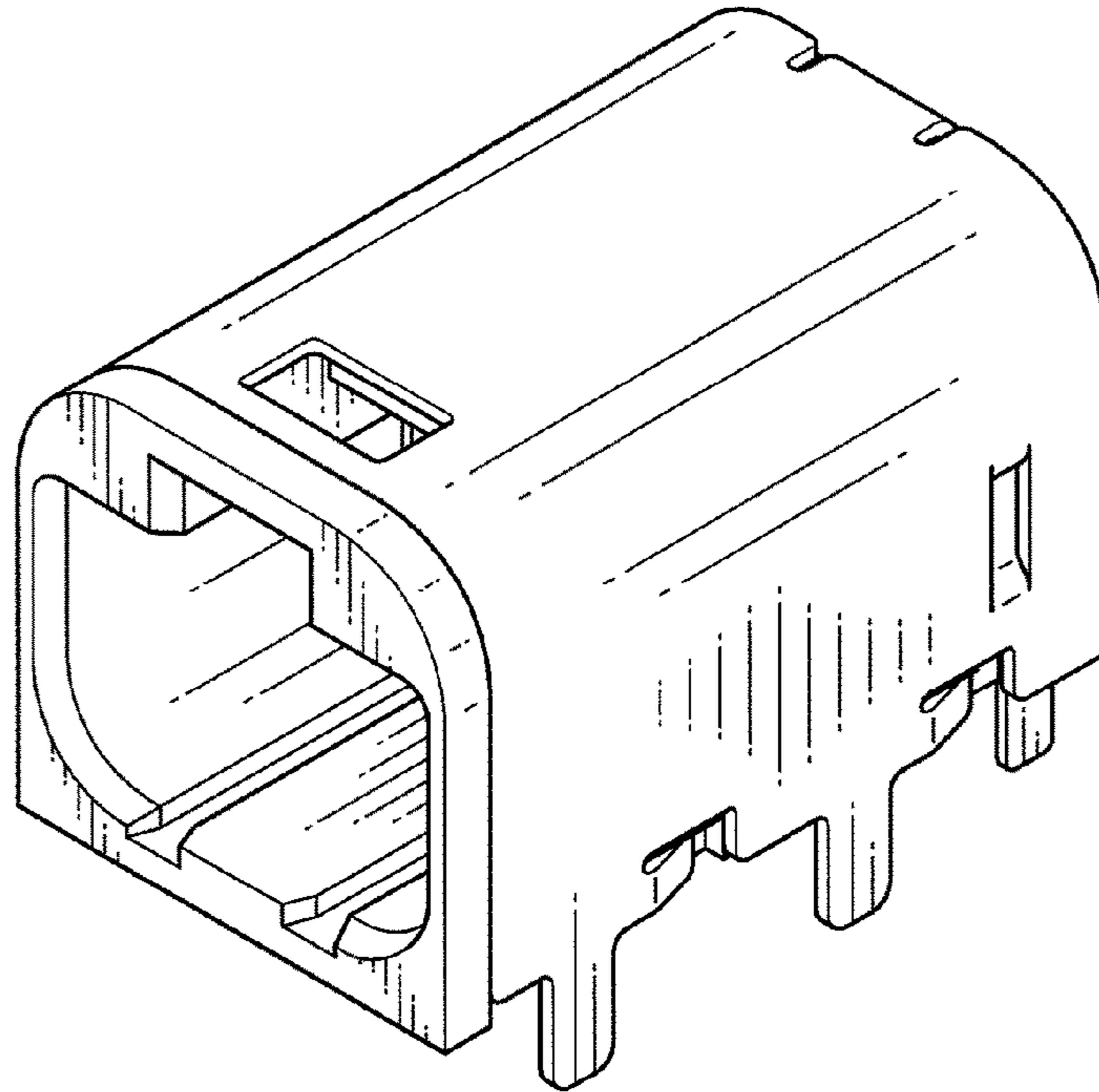


Fig. 2

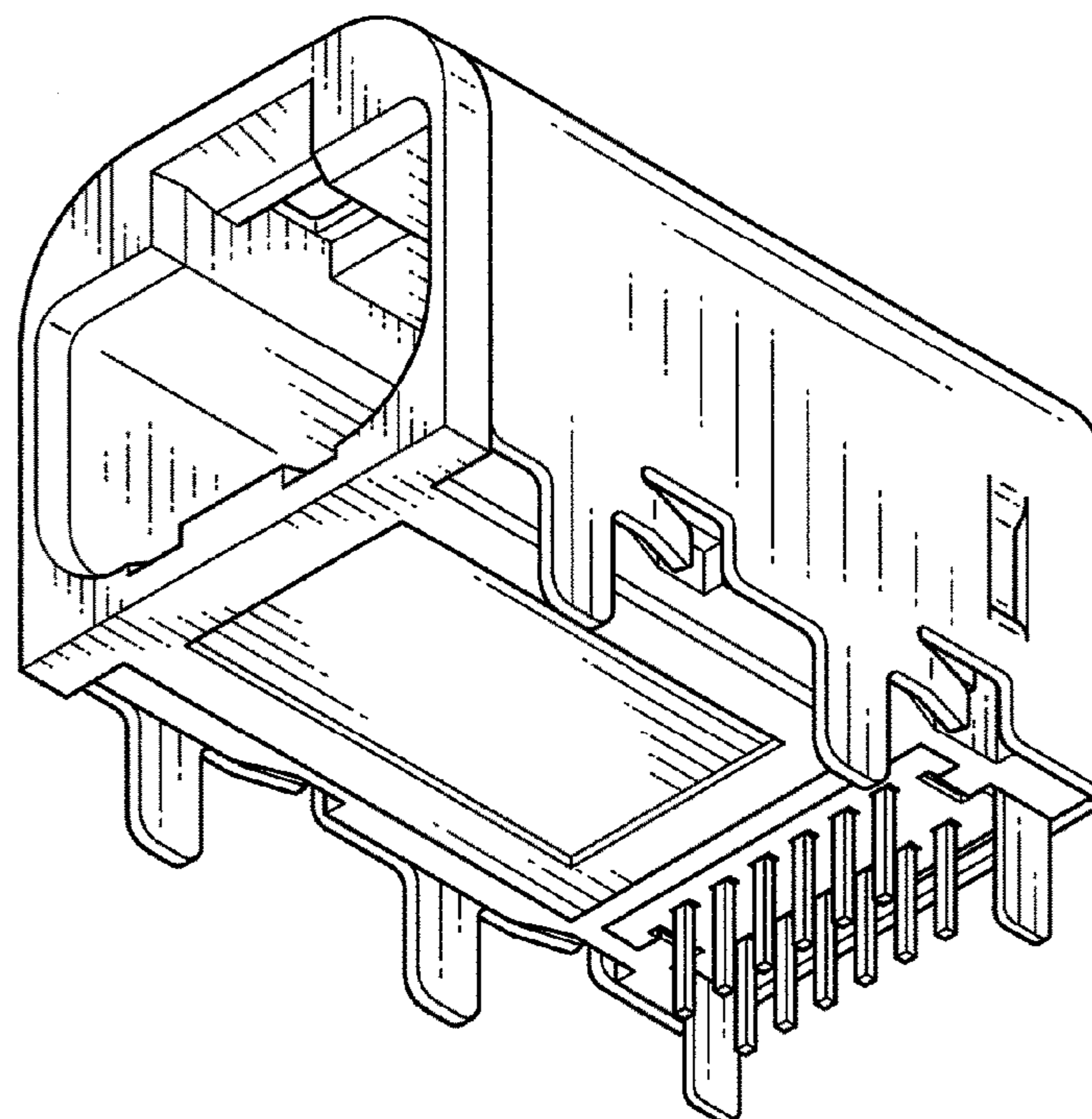


Fig. 3

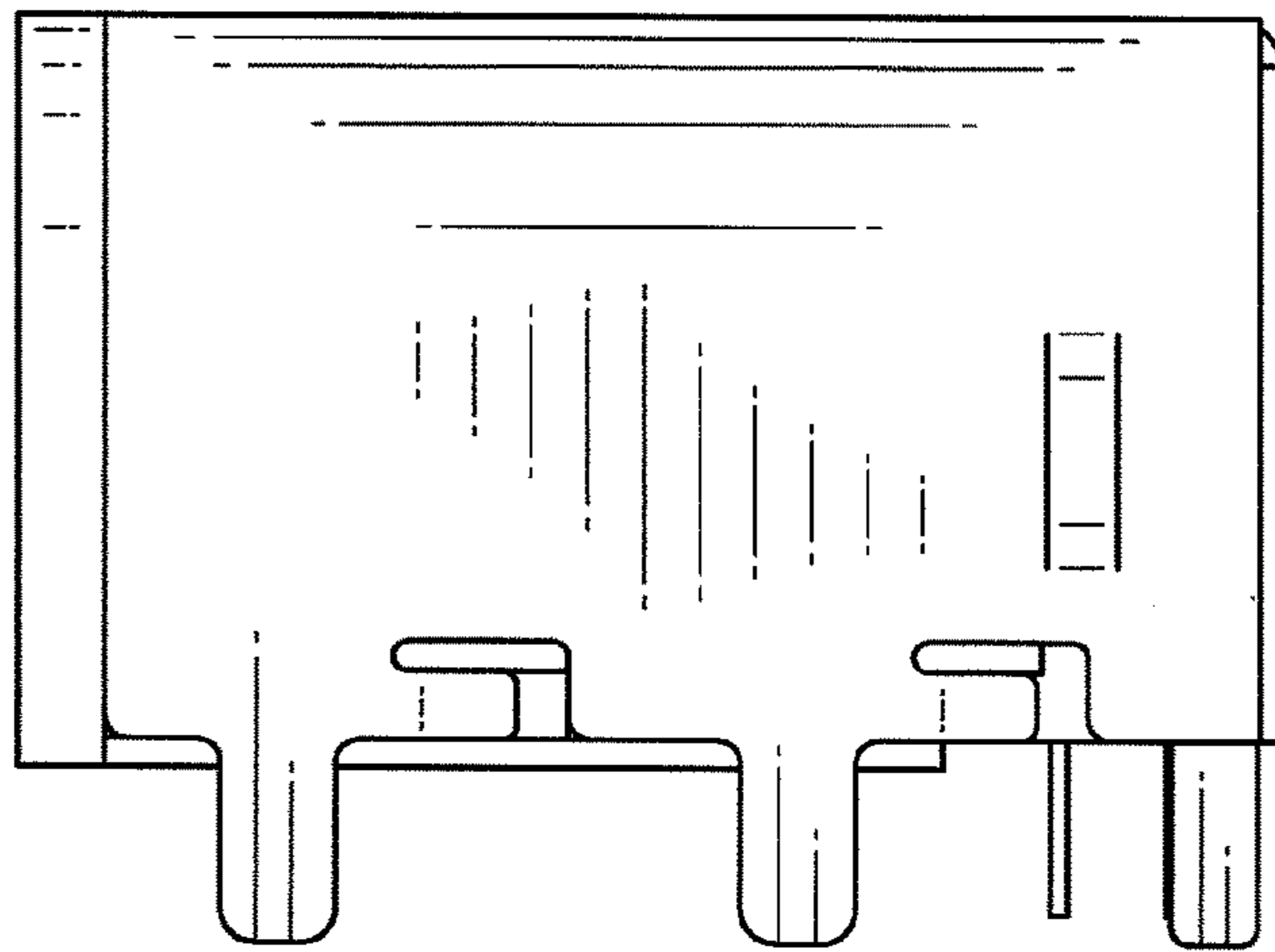


Fig. 4

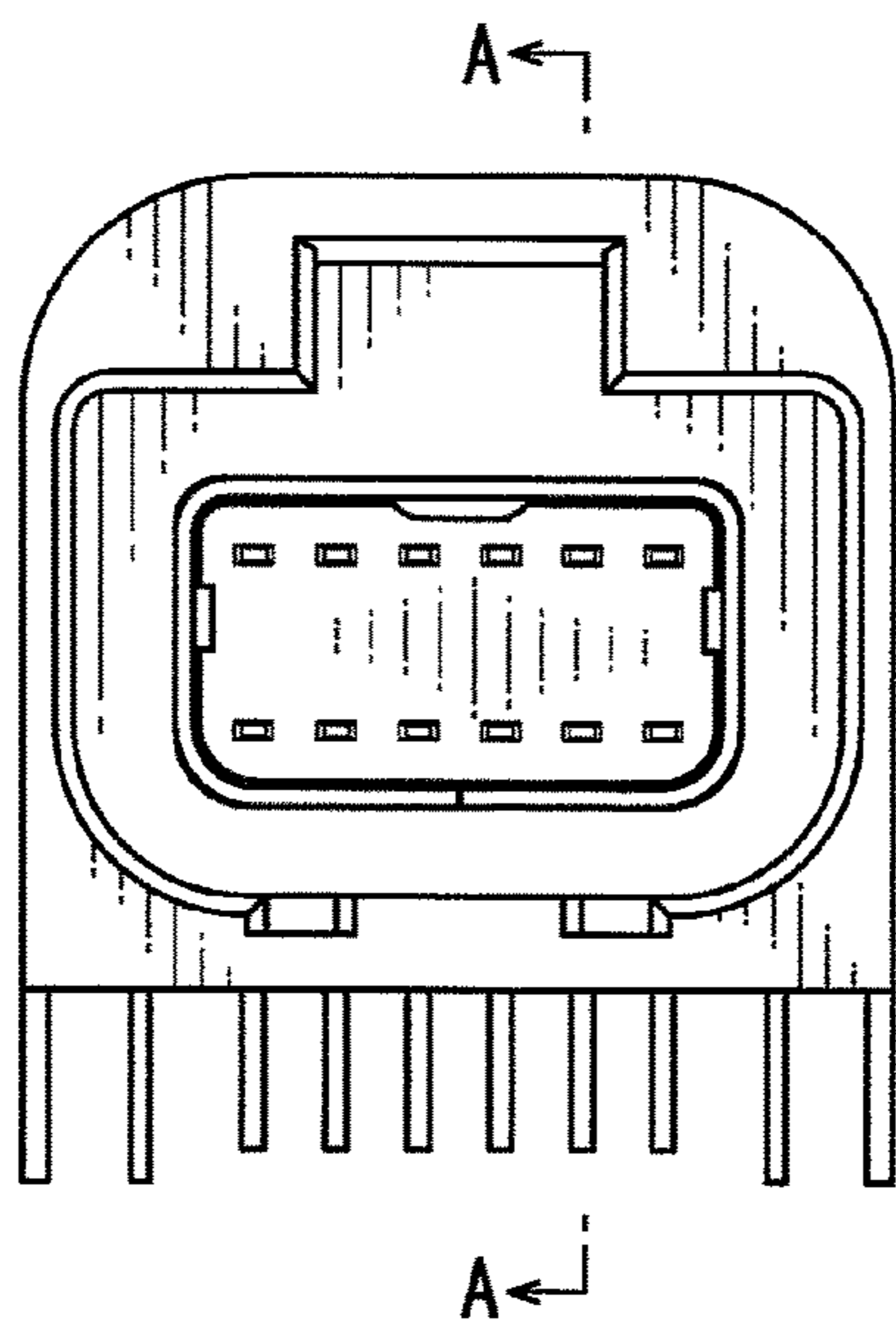


Fig. 5

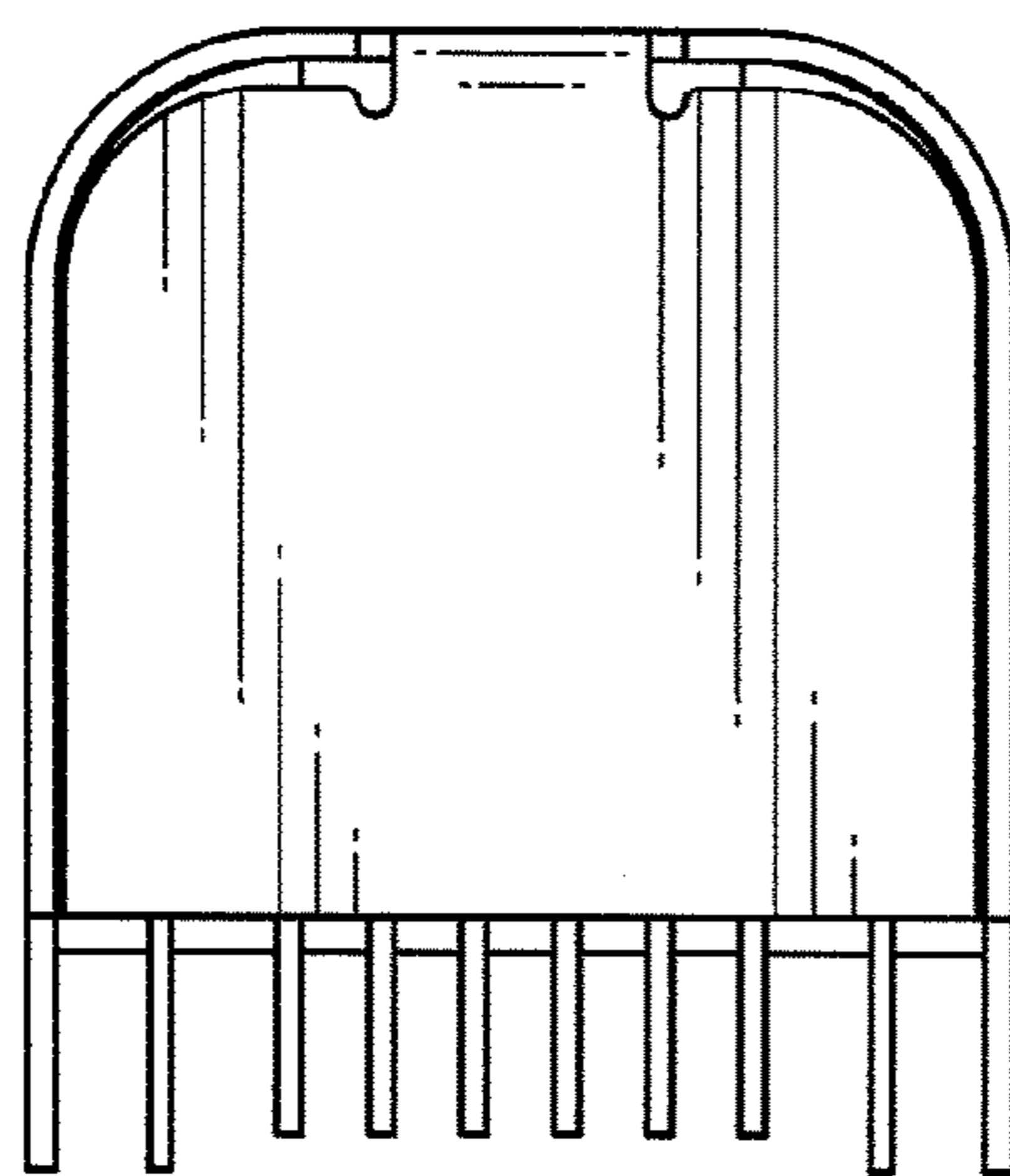


Fig. 6

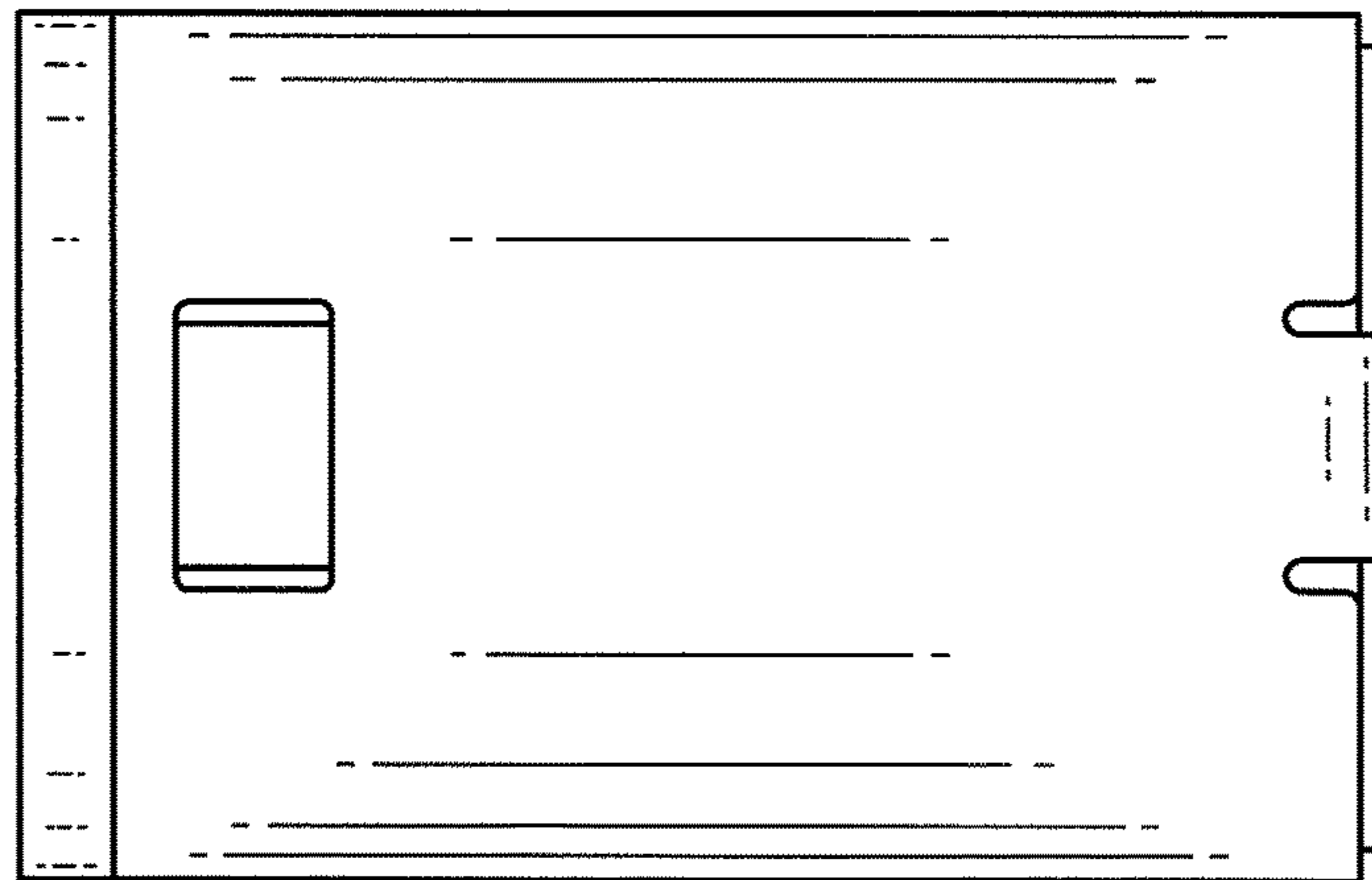


Fig. 7

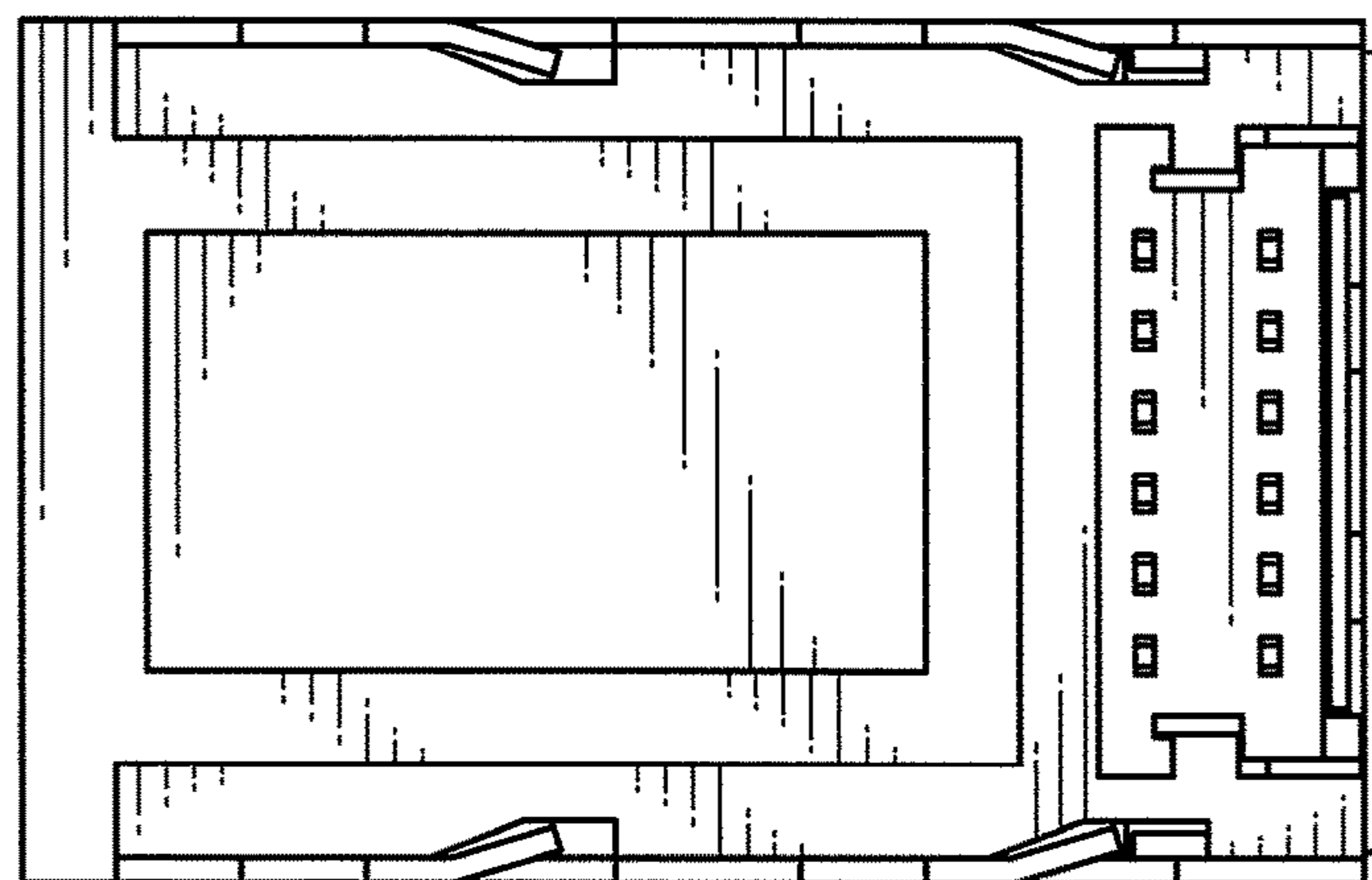


Fig. 8

