

US00D701491S

(12) **United States Design Patent**
Miyoshi

(10) **Patent No.:** **US D701,491 S**
(45) **Date of Patent:** **** Mar. 25, 2014**

(54) **ELECTRICAL CONNECTOR**

(75) Inventor: **Toshiharu Miyoshi, Yao (JP)**

(73) Assignee: **Hosiden Corporation, Yao-Shi (JP)**

(**) Term: **14 Years**

(21) Appl. No.: **29/409,220**

(22) Filed: **Dec. 21, 2011**

(30) **Foreign Application Priority Data**

Jul. 8, 2011 (JP) 2011-015638

(51) **LOC (10) Cl.** **13-03**

(52) **U.S. Cl.**

USPC **D13/147**

(58) **Field of Classification Search**

USPC D13/147, 154, 184, 199; 439/79, 108,
439/378, 607.01, 607.04, 607.05, 607.17,
439/607.25, 607.34, 607.41, 607.53, 668,
439/680

See application file for complete search history.

(56) **References Cited**

U.S. PATENT DOCUMENTS

D584,688	S	*	1/2009	Sasada et al.	D13/133
D589,447	S	*	3/2009	Sasada et al.	D13/133
D605,134	S	*	12/2009	Tanaka et al.	D13/147
D655,678	S	*	3/2012	Kobayashi et al.	D13/147
D665,358	S	*	8/2012	Kobayashi et al.	D13/147

* cited by examiner

Primary Examiner — Daniel Bui

(74) *Attorney, Agent, or Firm* — Rankin, Hill & Clark LLP

(57) **CLAIM**

The ornamental design for an electrical connector, as shown and described.

DESCRIPTION

FIG. 1 is a front, right side and top perspective view of an electrical connector showing my new design;
FIG. 2 is a front, right side and bottom perspective view thereof;
FIG. 3 is a front elevation view thereof;
FIG. 4 is a rear elevation view thereof;
FIG. 5 is a left side view thereof, a right side view being a mirror image thereof;
FIG. 6 is a top plan view thereof;
FIG. 7 is a bottom plan view thereof; and,
FIG. 8 is an enlarged sectional view taken along a line 8-8 in FIG. 3 thereof.

1 Claim, 4 Drawing Sheets

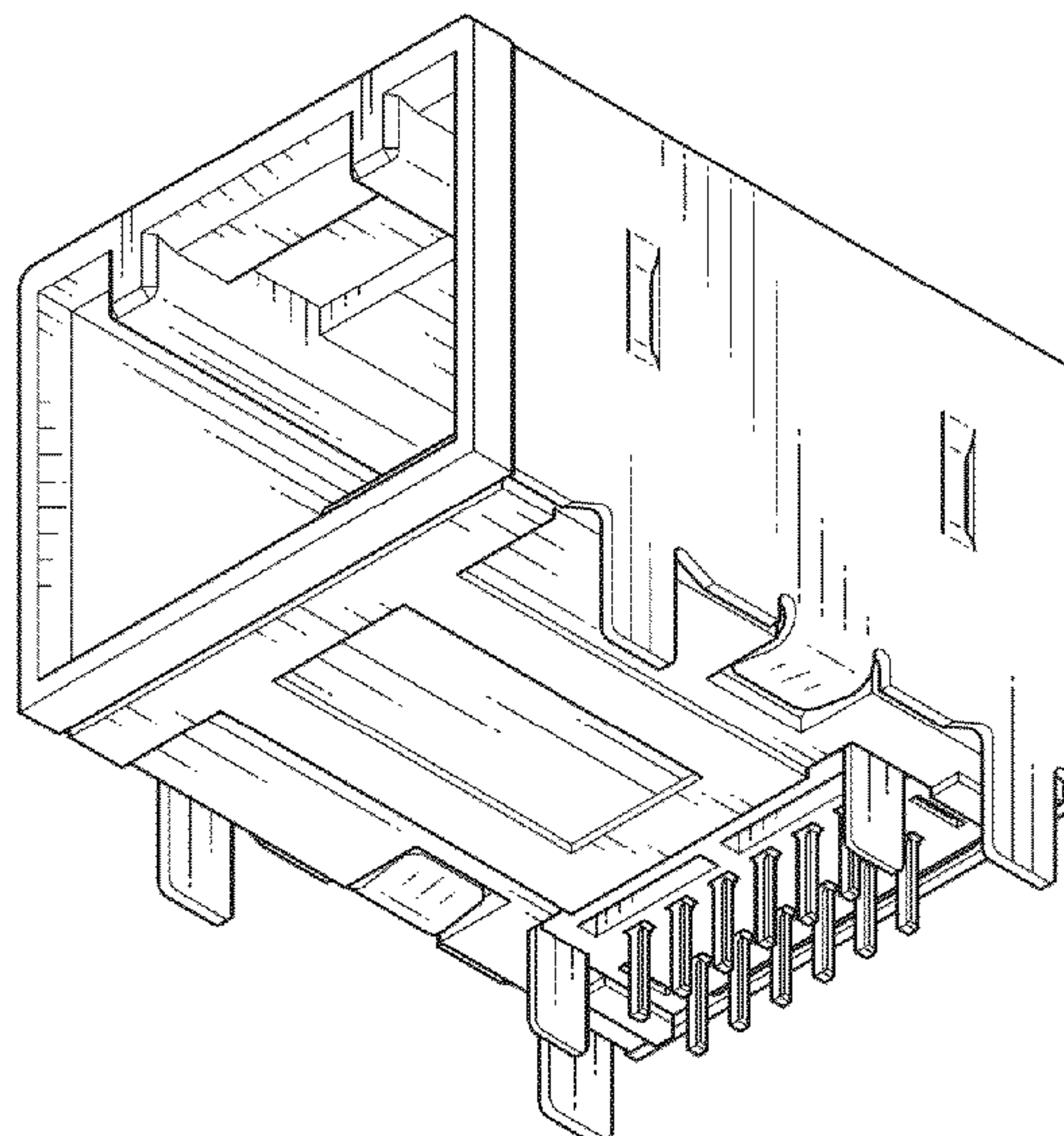
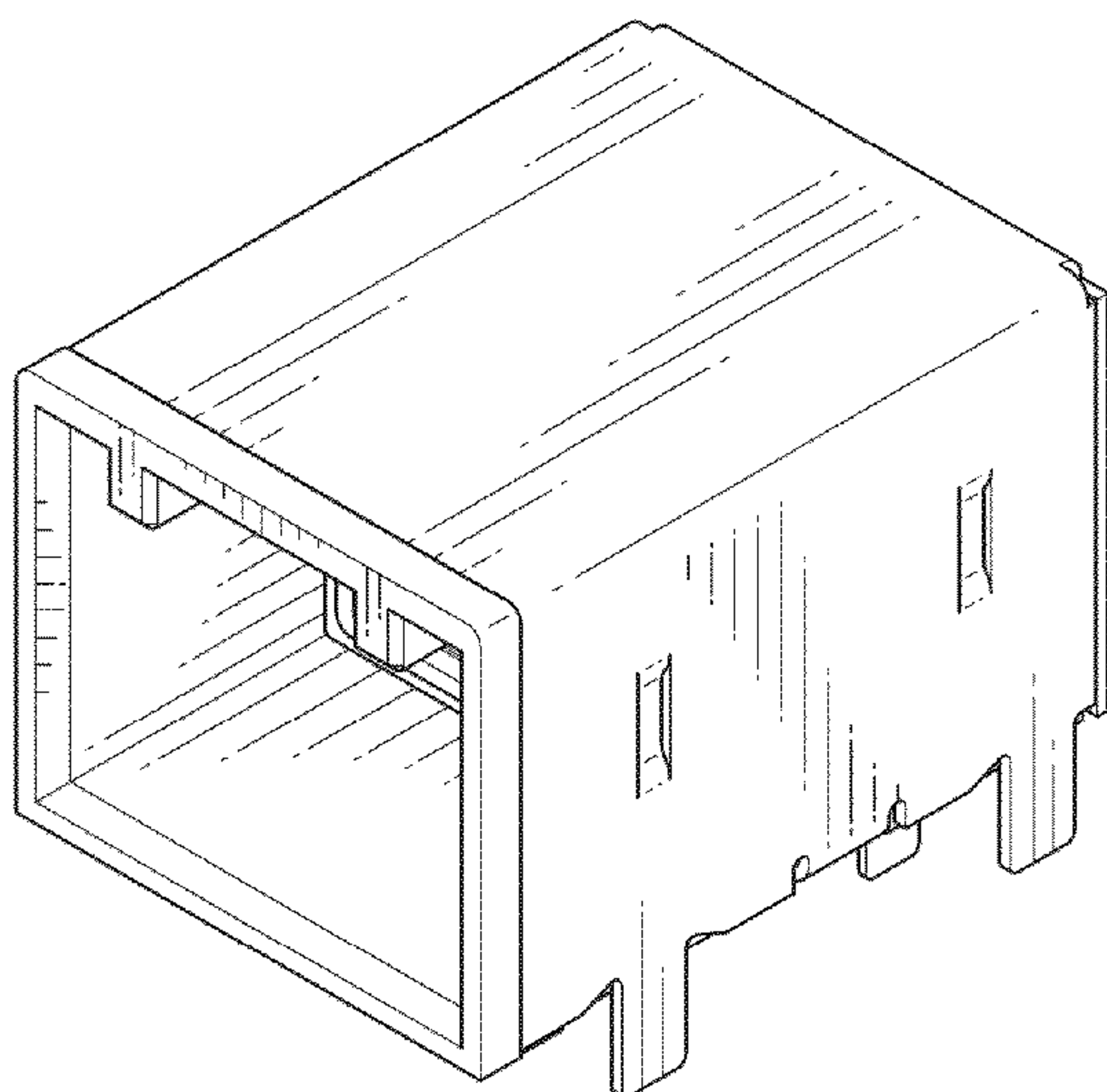


Fig. 1

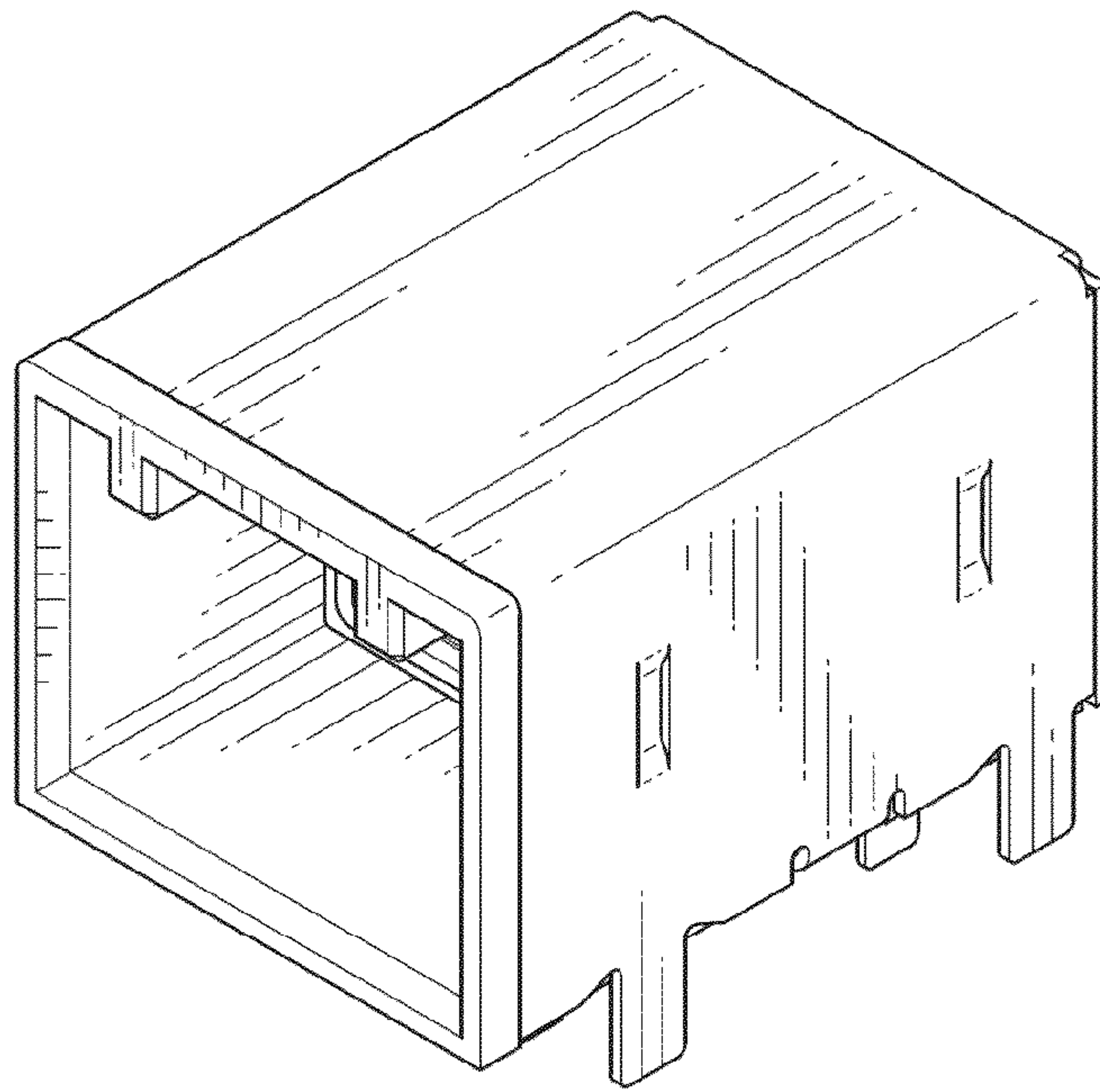


Fig. 2

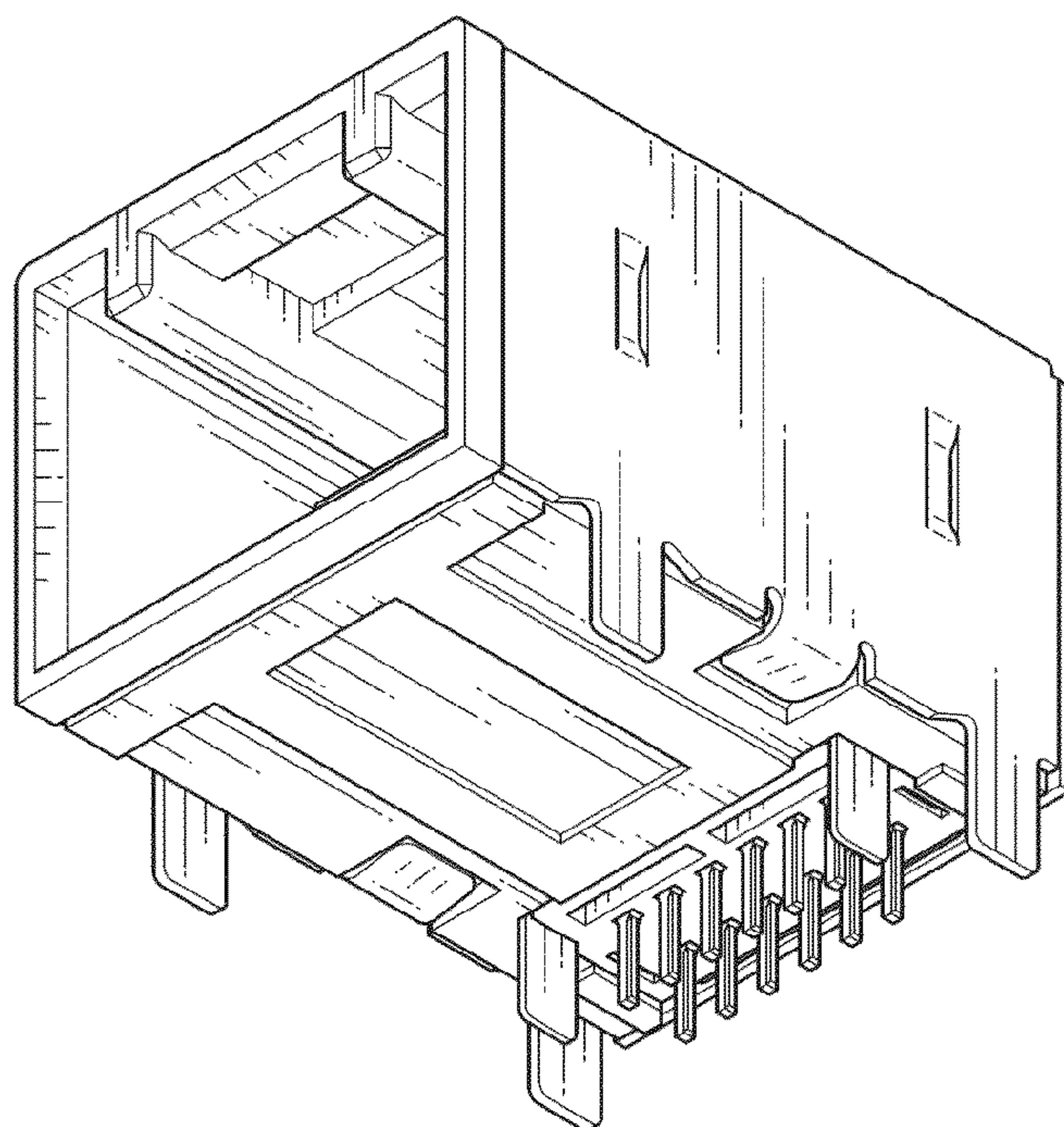


Fig. 3

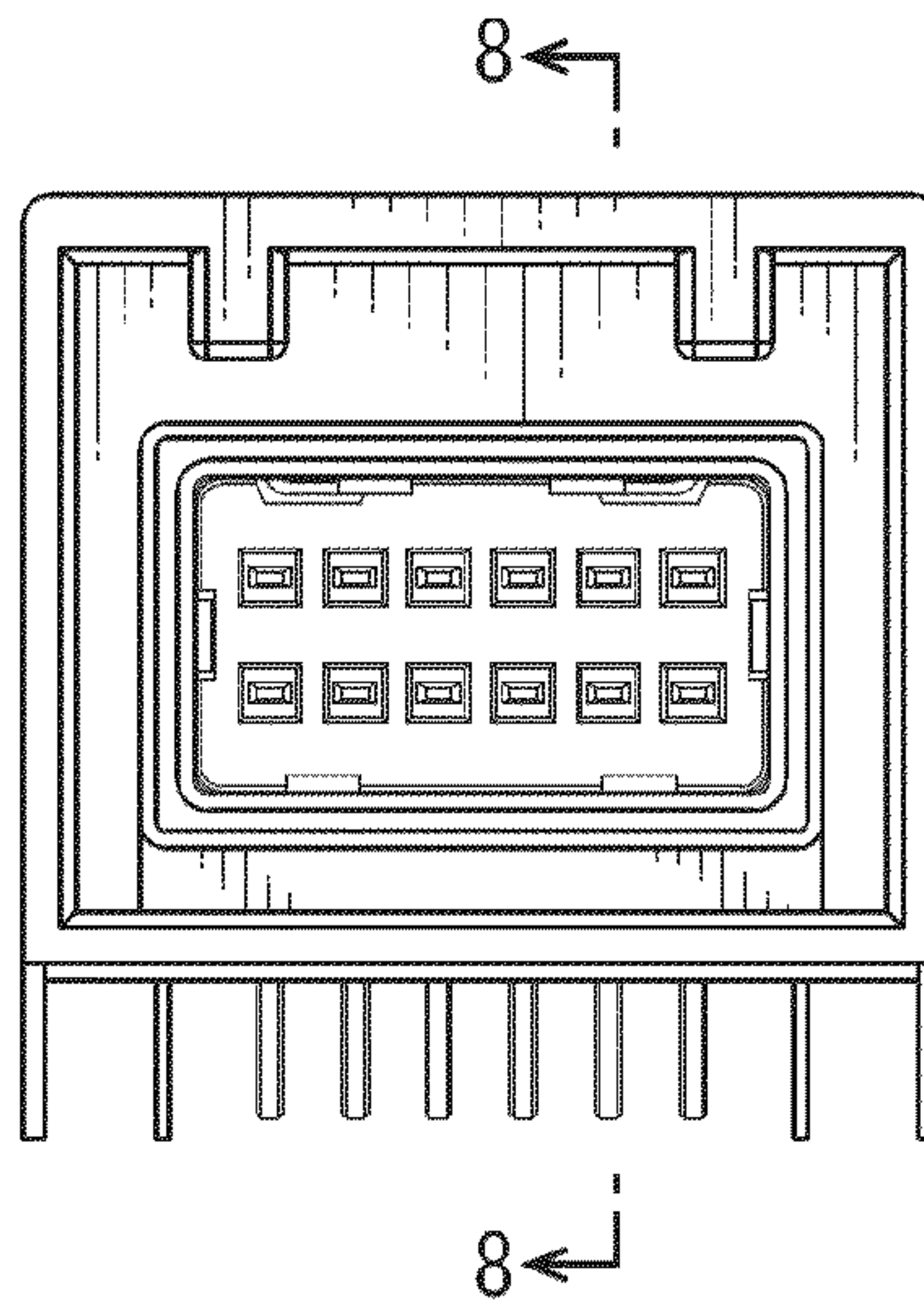


Fig. 4

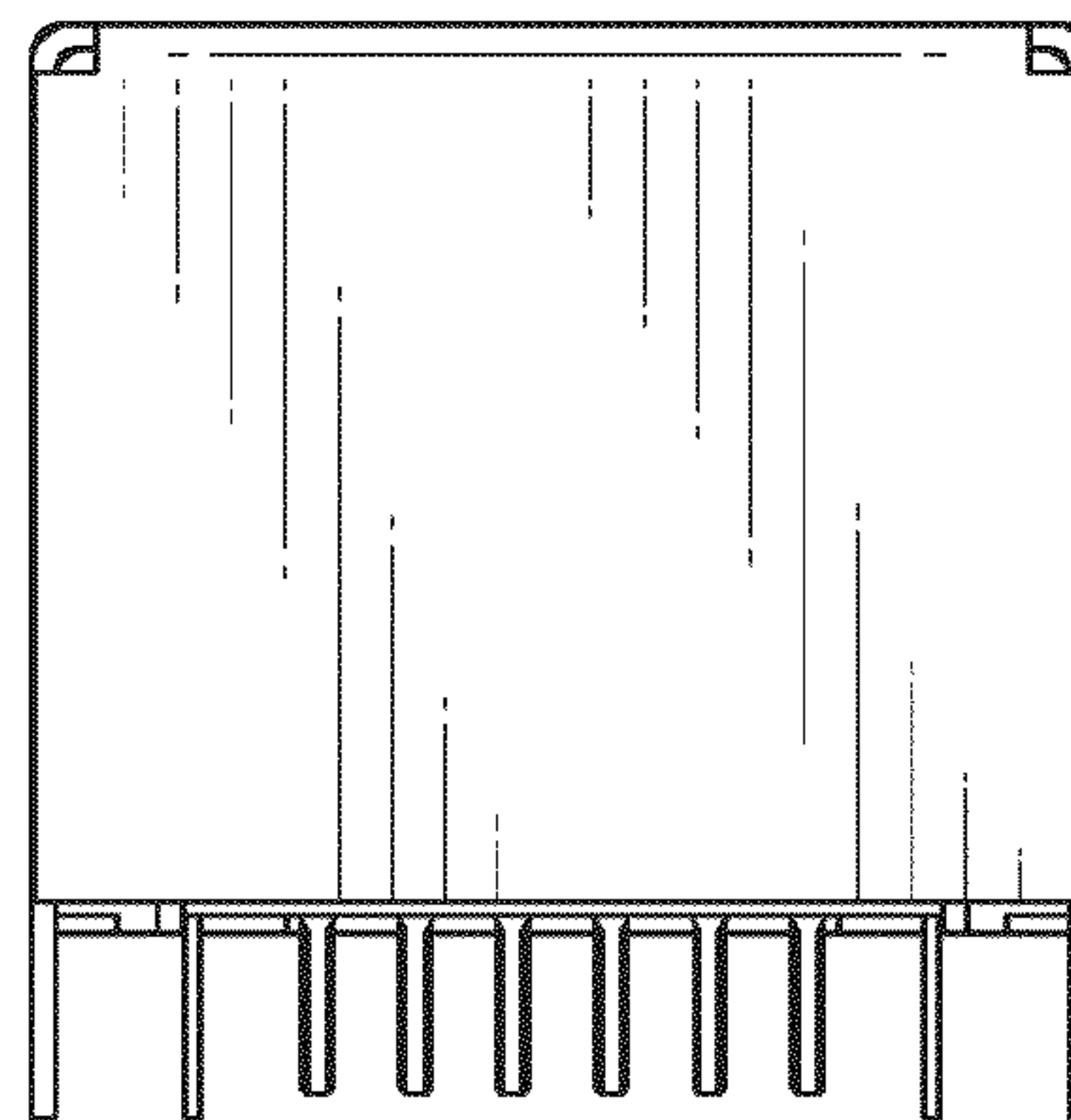


Fig. 5

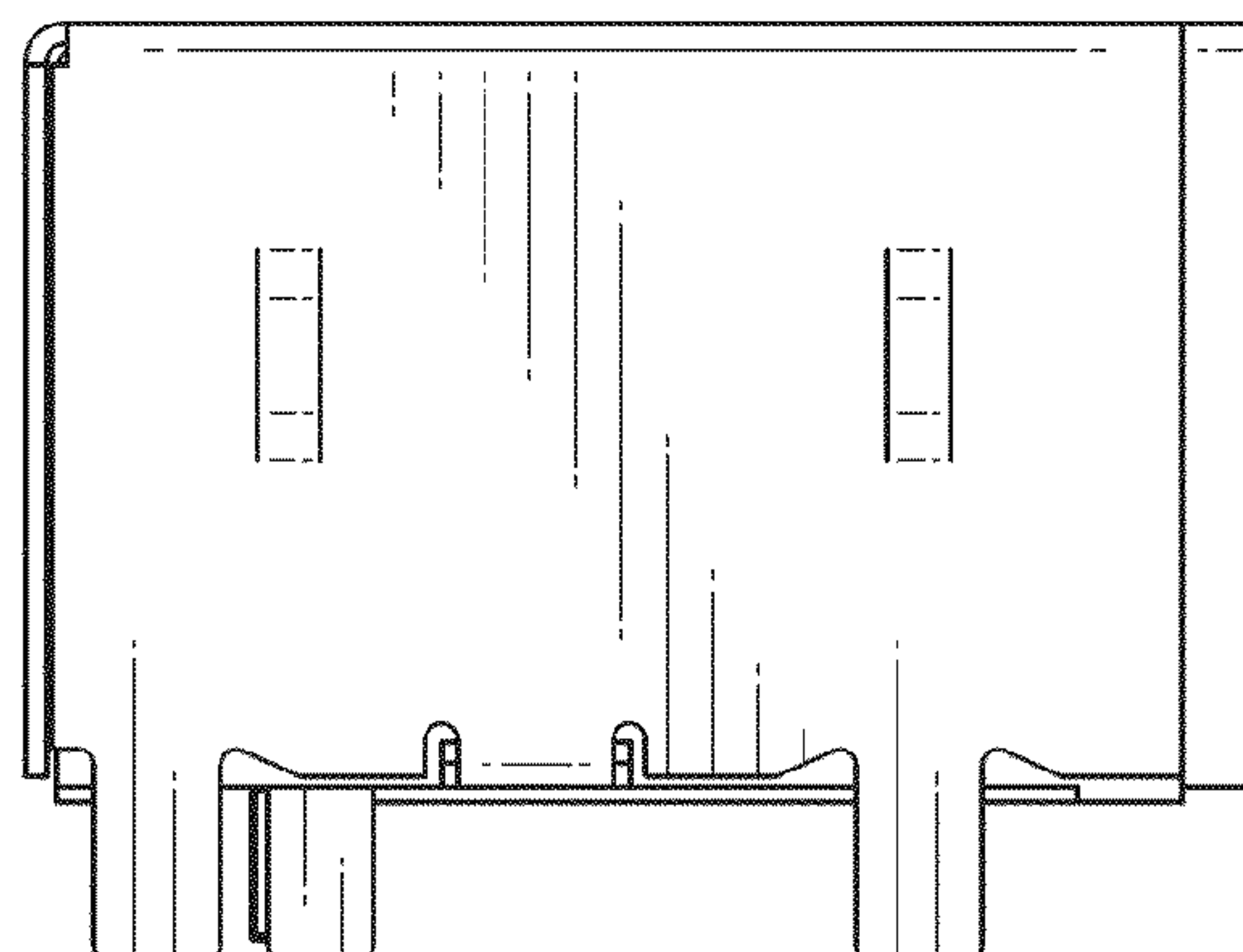


Fig. 6

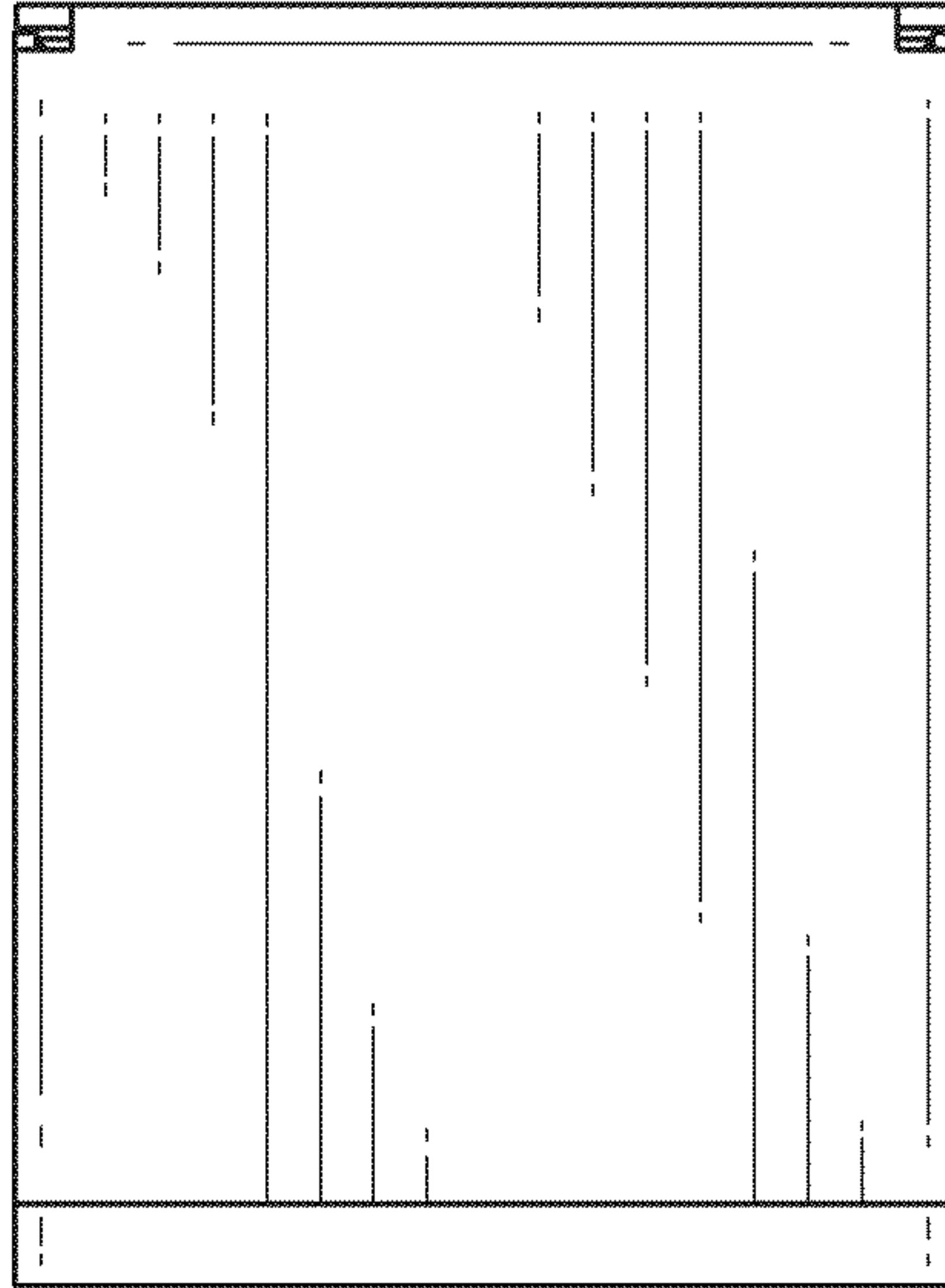


Fig. 7

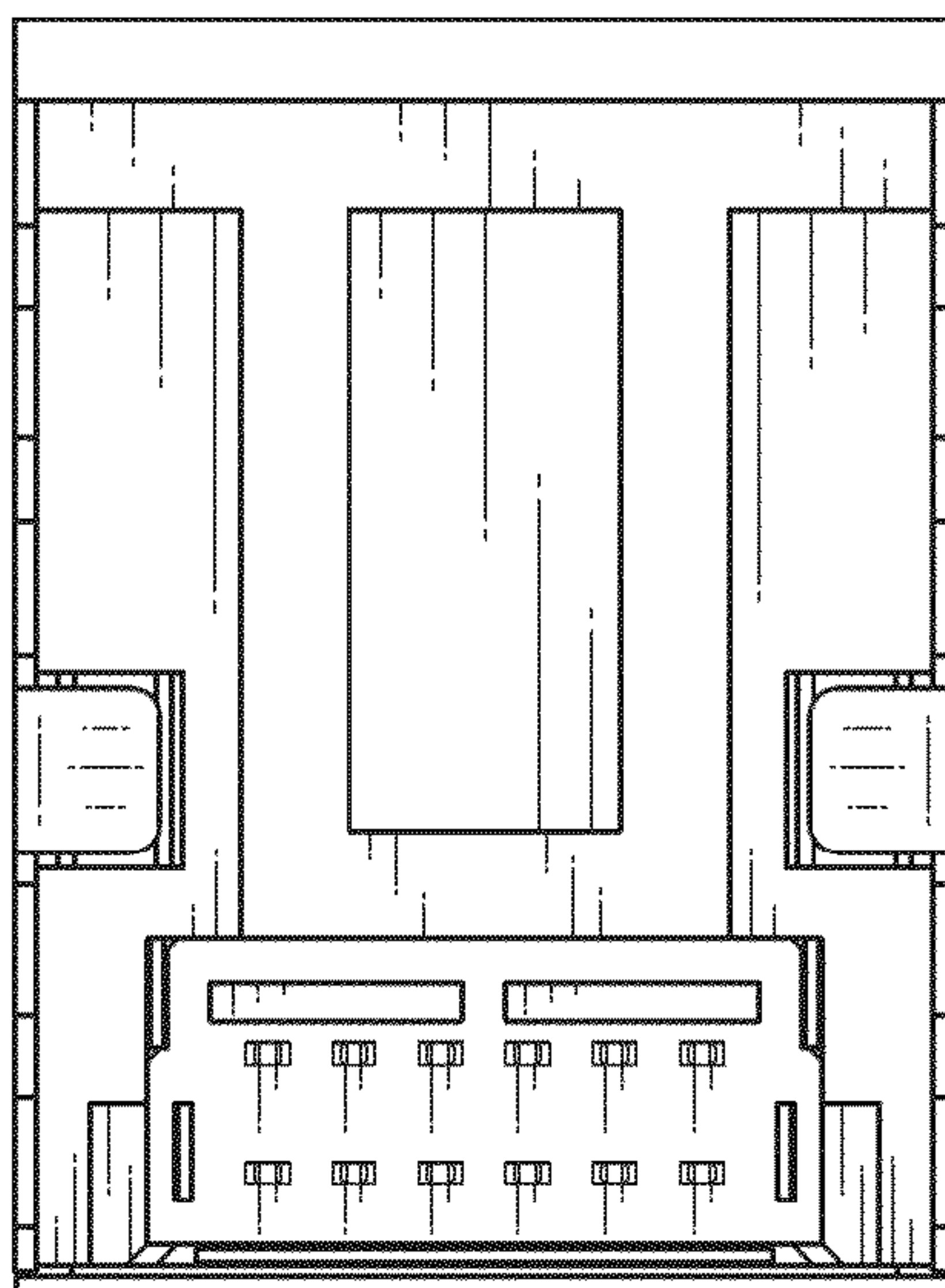


Fig. 8

