



US00D701490S

(12) **United States Design Patent**  
**Inskeep**

(10) **Patent No.:** **US D701,490 S**  
(45) **Date of Patent:** **\*\* Mar. 25, 2014**

(54) **PORTABLE POWER SUPPLY**

(71) Applicant: **Mathew Inskeep**, Boca Raton, FL (US)

(72) Inventor: **Mathew Inskeep**, Boca Raton, FL (US)

(\*\*) Term: **14 Years**

(21) Appl. No.: **29/469,145**

(22) Filed: **Oct. 8, 2013**

(51) **LOC (10) Cl.** ..... **13-02**

(52) **U.S. Cl.**  
USPC ..... **D13/110**

(58) **Field of Classification Search**

USPC ..... D13/110, 107, 108, 118, 119, 123, 133,  
D13/137.1, 184, 199; D14/251, 432, 434;  
174/53, 54, 59, 61; 307/11, 150, 151;  
320/107, 111, 112, 113, 114, 115;  
361/679.01; 363/142, 146; 439/131,  
439/172, 626, 628, 638

See application file for complete search history.

(56) **References Cited**

**U.S. PATENT DOCUMENTS**

5,949,640 A \* 9/1999 Cameron et al. .... 361/600  
D433,993 S \* 11/2000 Tang ..... D13/110

D588,535 S \* 3/2009 Krieger et al. .... D13/107  
D595,647 S \* 7/2009 Shum et al. .... D13/110  
D616,815 S \* 6/2010 Jdraque Aznarez  
et al. .... D13/110  
D617,267 S \* 6/2010 Li ..... D13/107  
D627,719 S \* 11/2010 DuMelle et al. .... D13/110  
D639,736 S \* 6/2011 Su ..... D13/110

\* cited by examiner

*Primary Examiner* — Derrick Holland

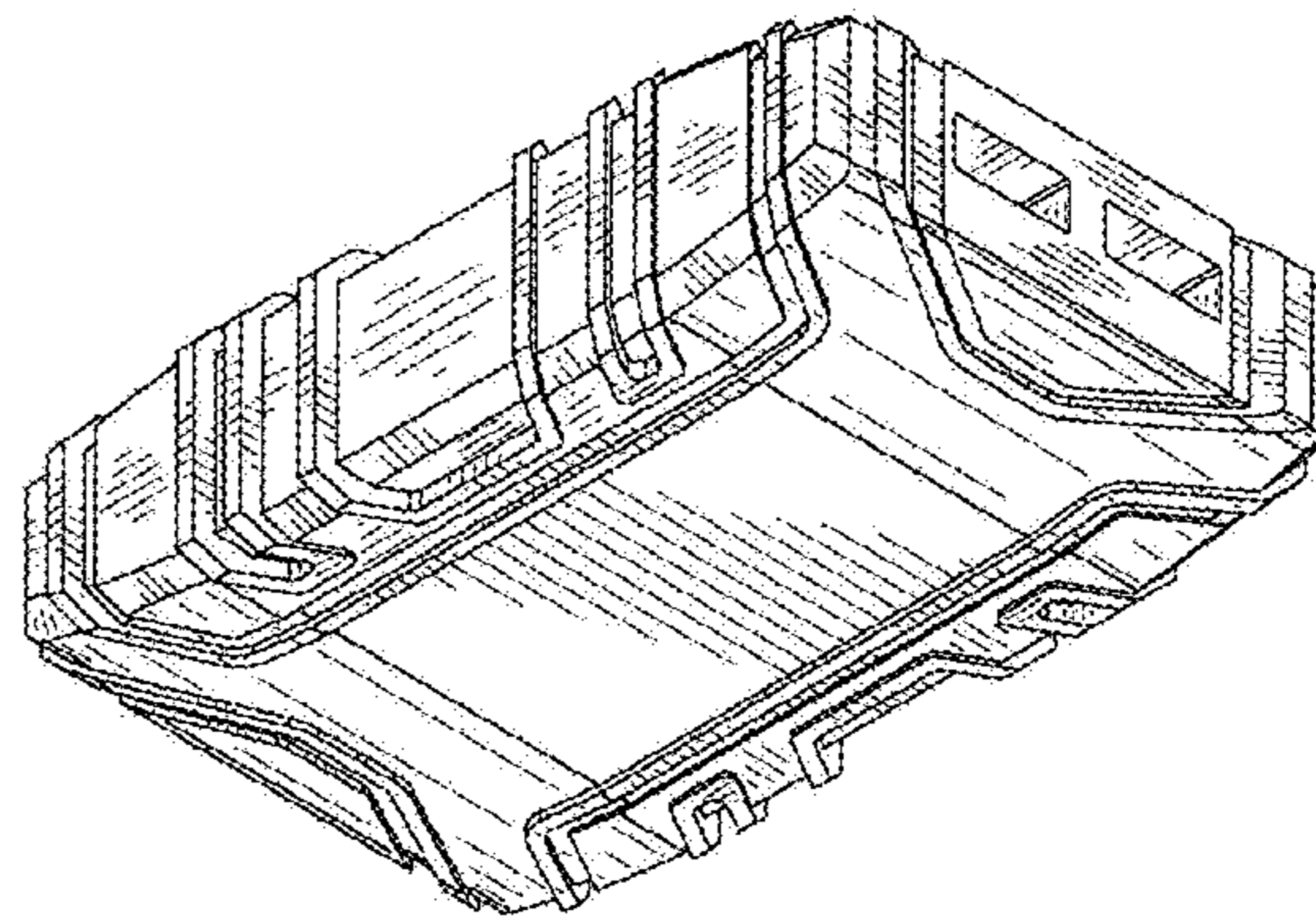
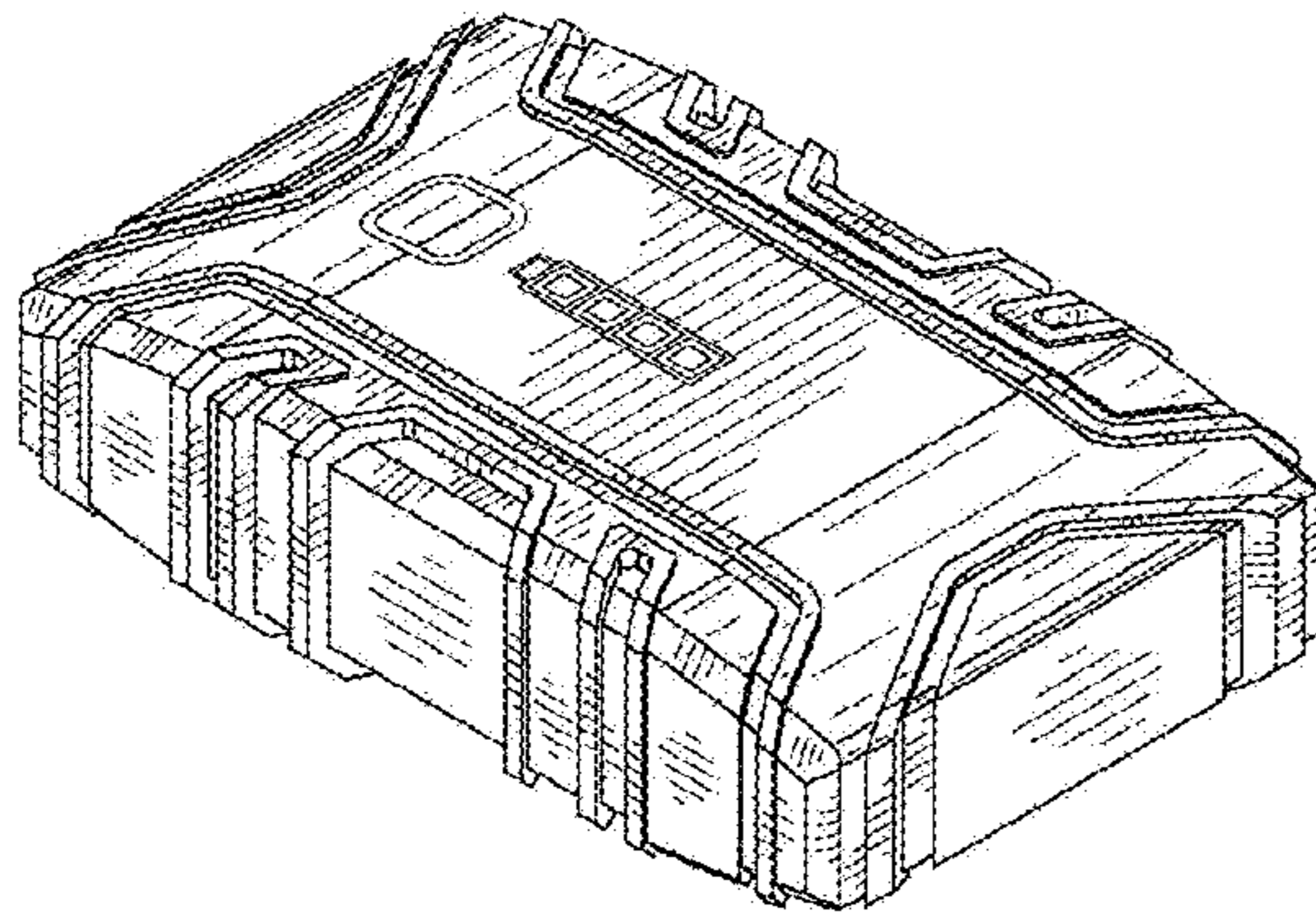
(57) **CLAIM**

I, Mathew Inskeep, claim the ornamental design for a portable power supply, as shown and described.

**DESCRIPTION**

FIG. 1 is a top perspective view of the portable power supply showing my new design.  
FIG. 2 is a bottom perspective view thereof.  
FIG. 3 is a top view thereof.  
FIG. 4 is a bottom view thereof.  
FIG. 5 is side view thereof.  
FIG. 6 is a front view thereof; and,  
FIG. 7 is a back view thereof.

**1 Claim, 3 Drawing Sheets**



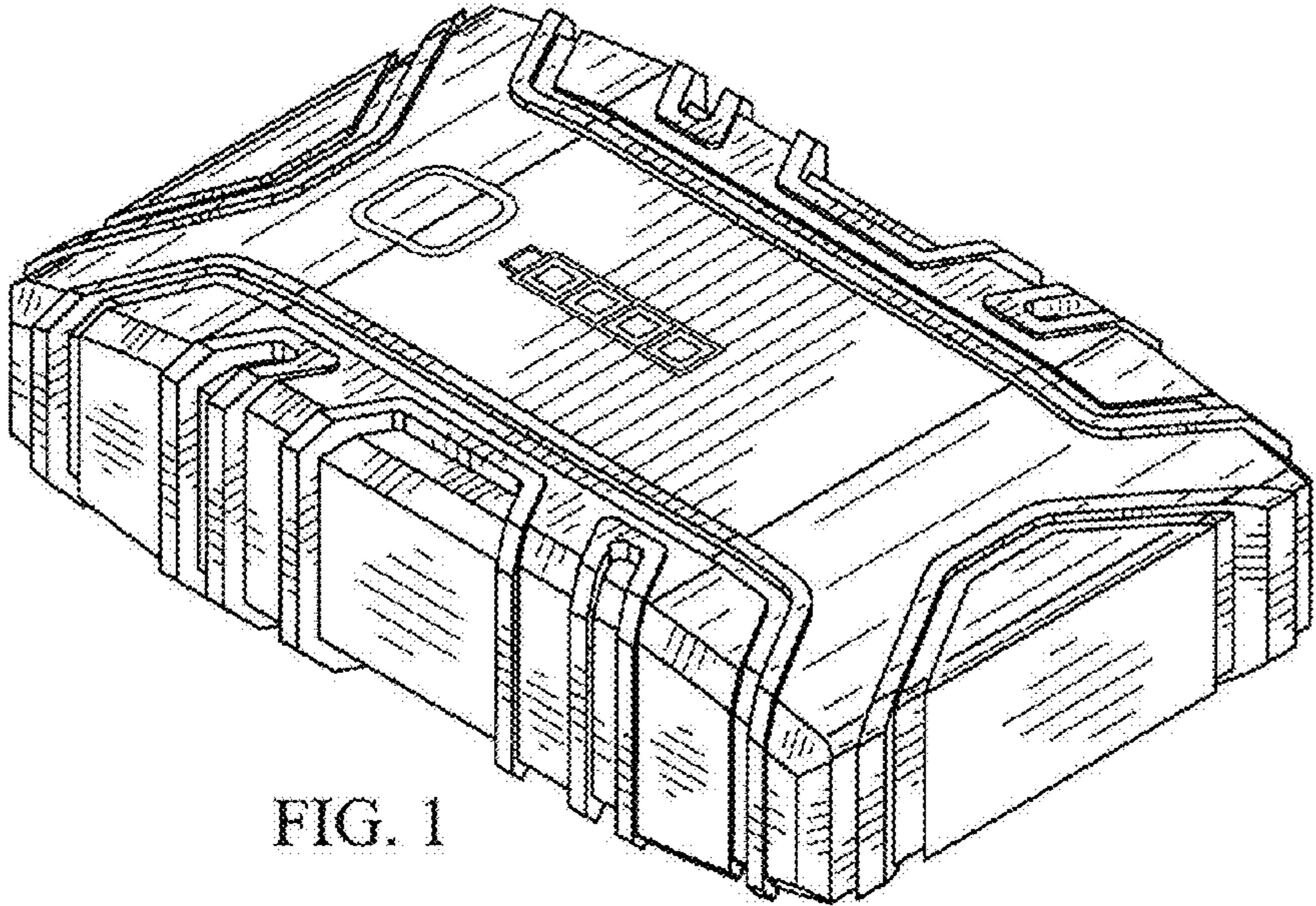


FIG. 1

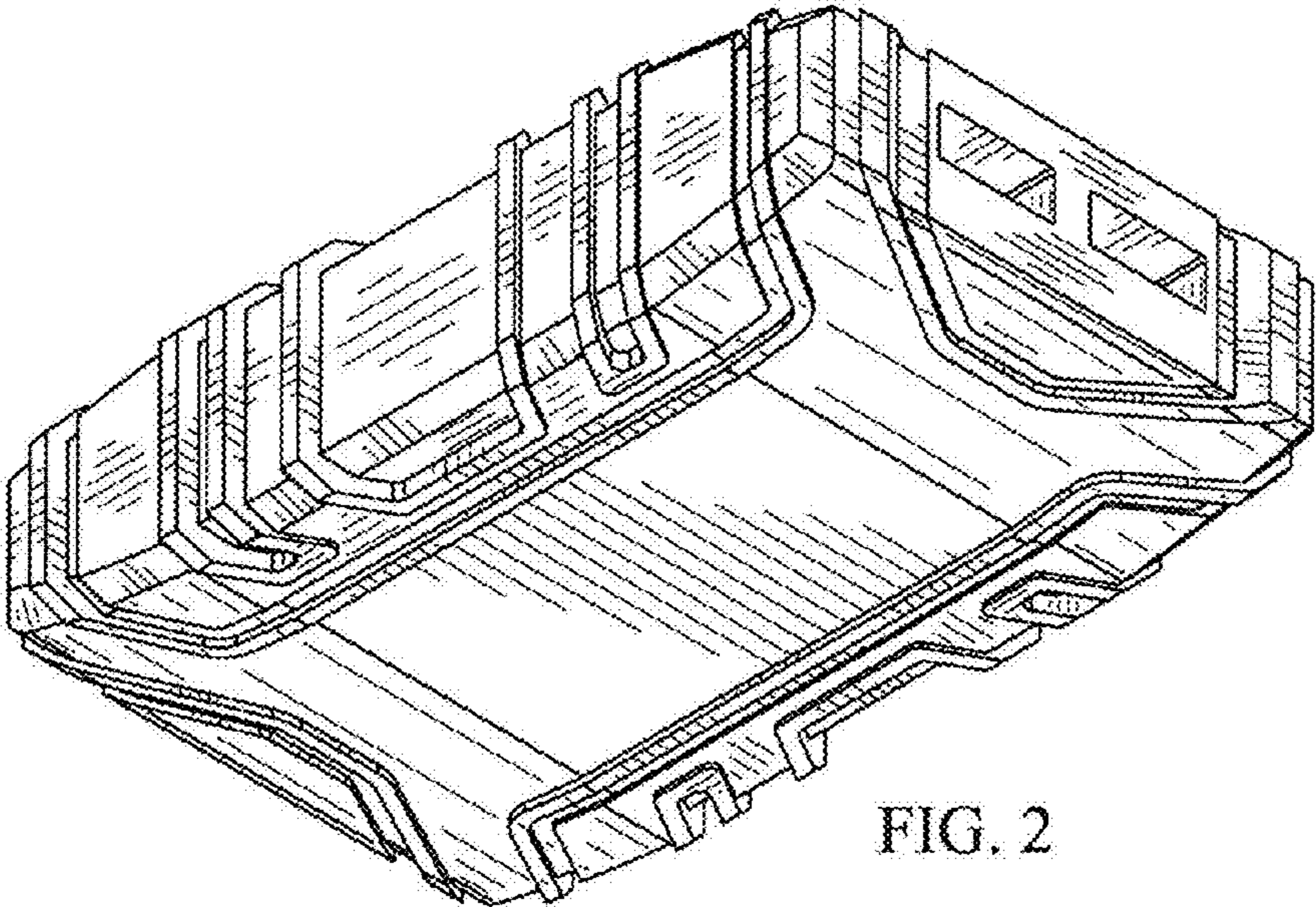


FIG. 2



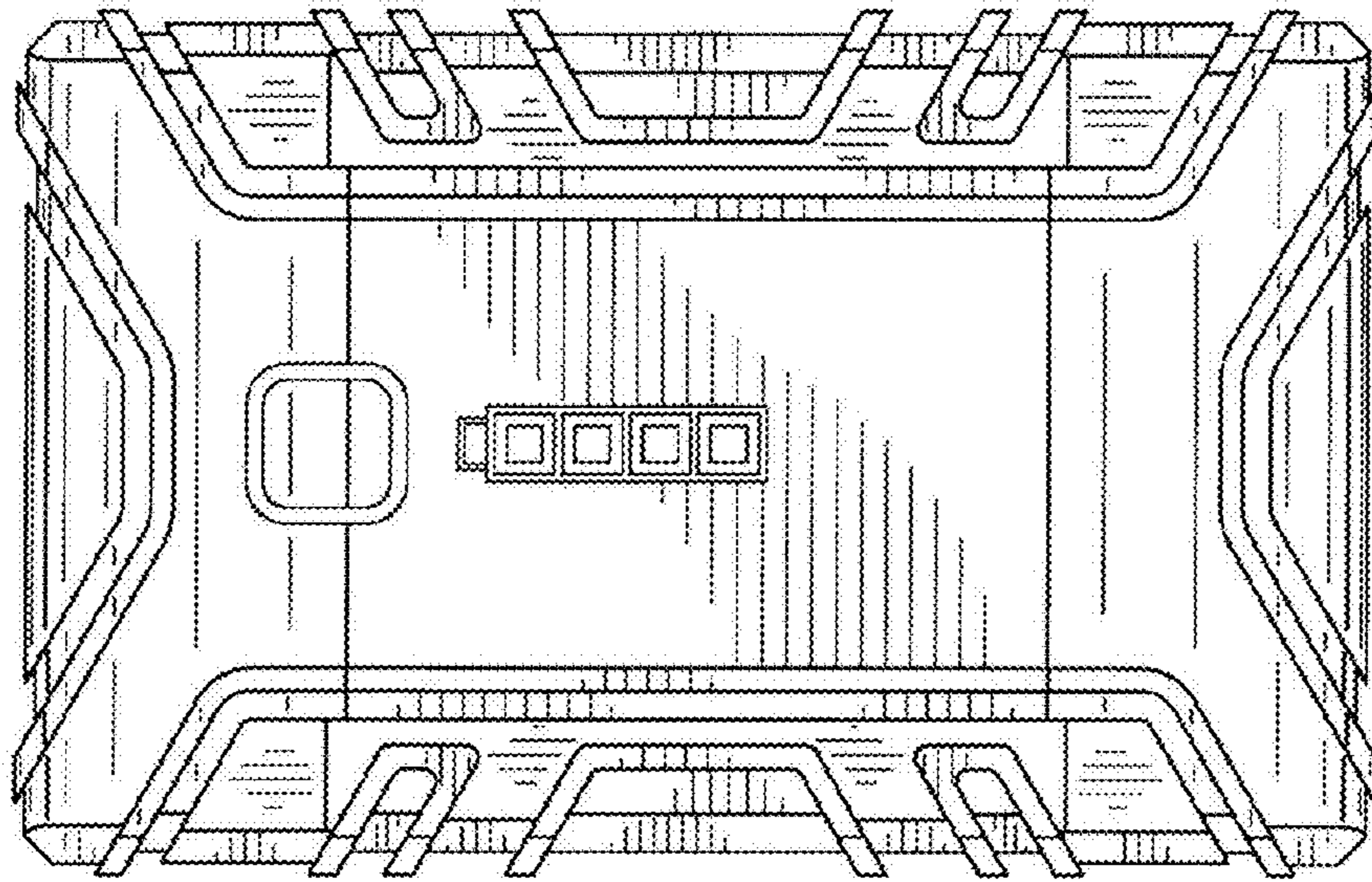


FIG. 3

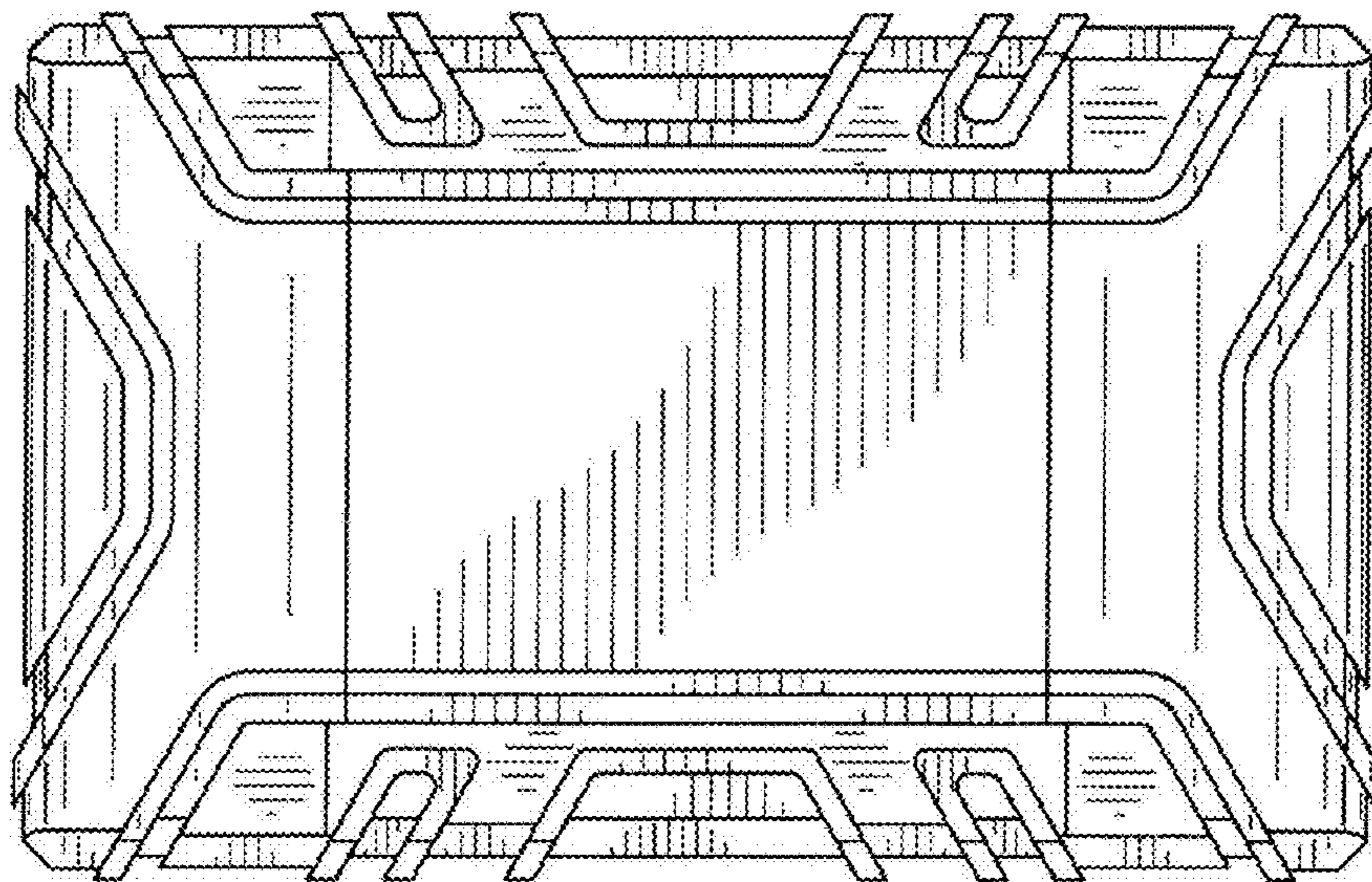


FIG. 4

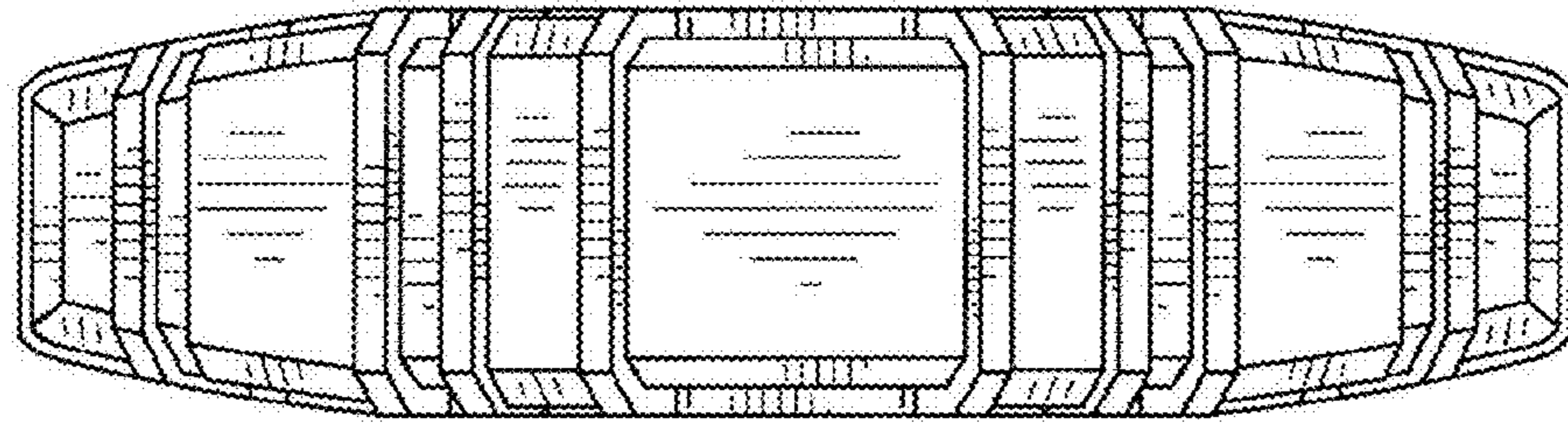


FIG. 5

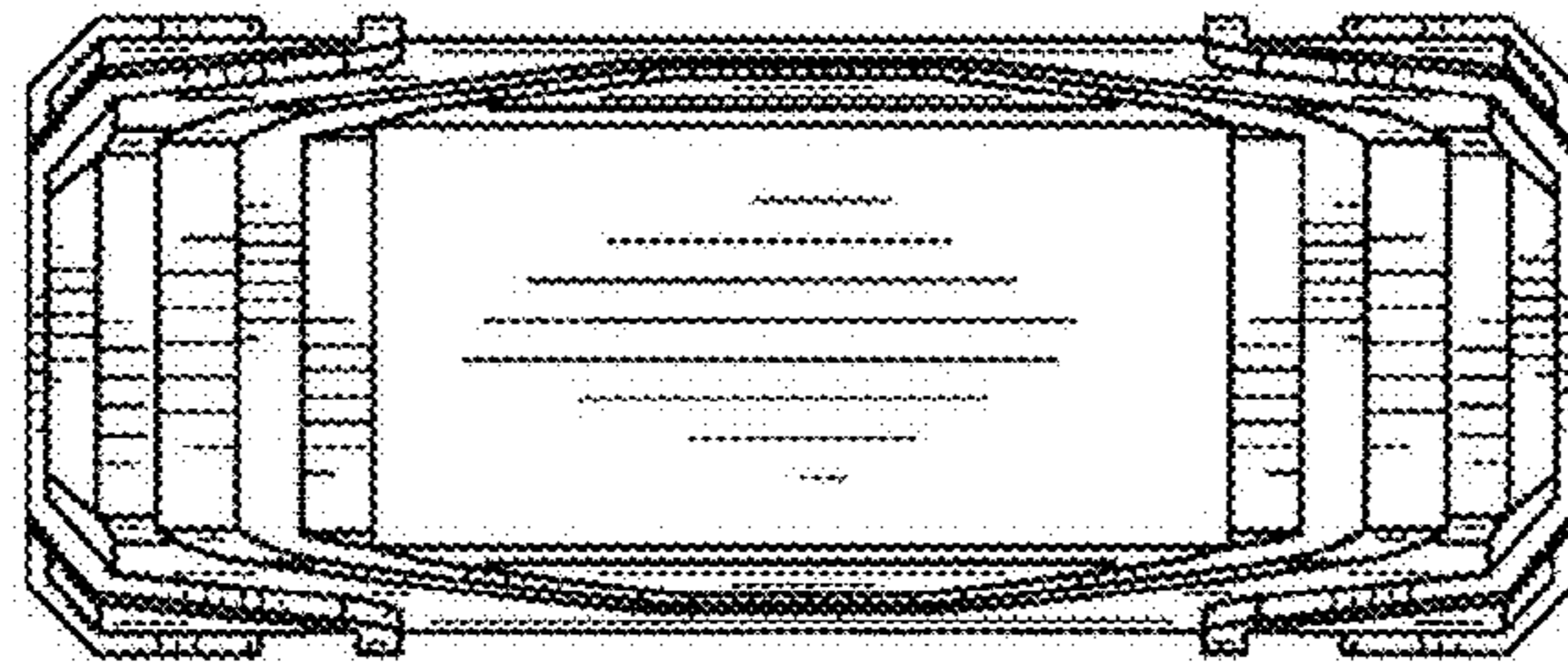


FIG. 6

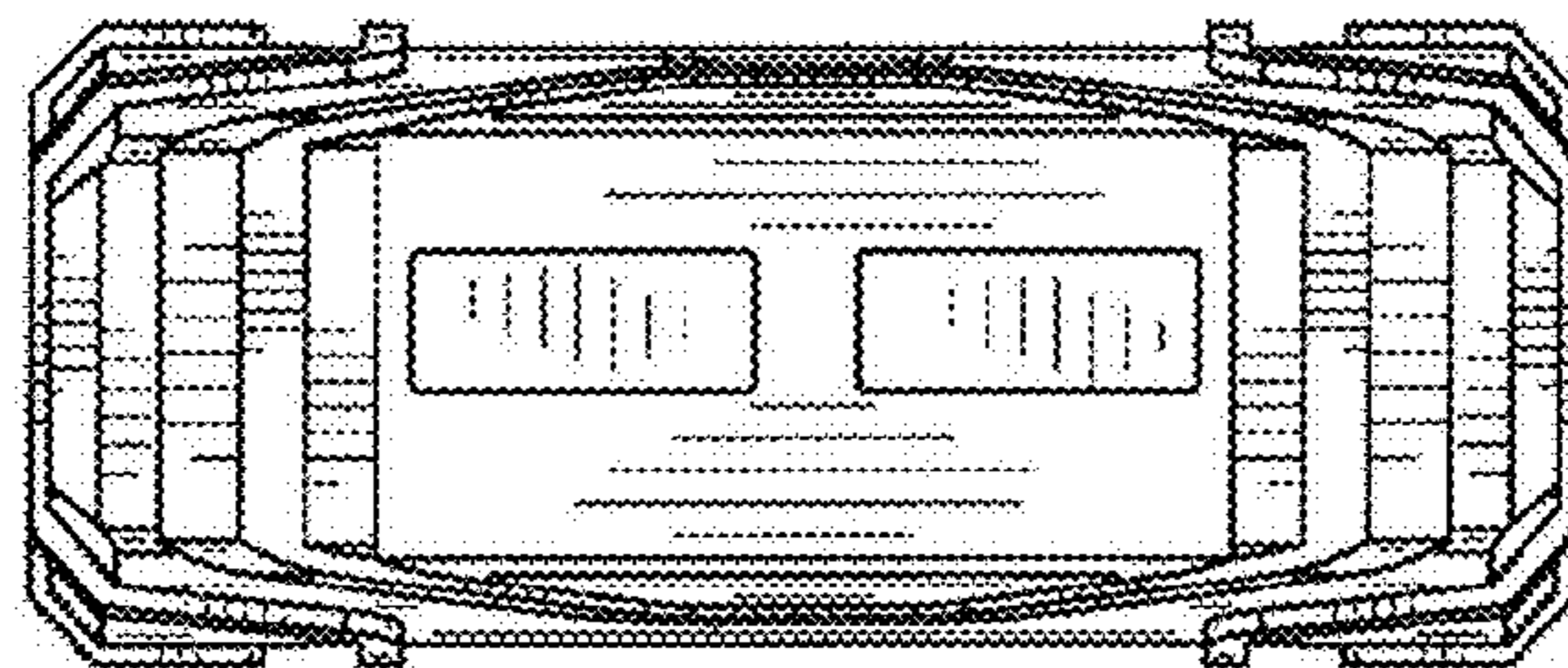


FIG. 7