



US00D701488S

(12) **United States Design Patent**
Lim

(10) **Patent No.:** **US D701,488 S**
(45) **Date of Patent:** **** Mar. 25, 2014**

(54) **SOLAR DEVICE WITH REMOVABLE CASSETTE**

(71) Applicant: **Third Wave Power Pte Ltd**, Singapore (SG)

(72) Inventor: **Chuin Kiat Lim**, Singapore (SG)

(73) Assignee: **Third Wave Power Pte Ltd**, Singapore (SG)

(**) Term: **14 Years**

(21) Appl. No.: **29/449,533**

(22) Filed: **Mar. 15, 2013**

(51) **LOC (10) Cl.** **13-02**

(52) **U.S. Cl.**
USPC **D13/102**

(58) **Field of Classification Search**
USPC D13/102, 101, 103, 107, 108, 110, 184,
D13/199; D14/125, 126, 203.7, 203.8, 440,
D14/447; 136/206, 243, 244, 245, 252;
320/101, 102, 114, 115, 120
See application file for complete search history.

(56) **References Cited**

U.S. PATENT DOCUMENTS

5,522,943 A * 6/1996 Spencer et al. 136/245
D391,921 S * 3/1998 Zimmer et al. D13/102

(Continued)

FOREIGN PATENT DOCUMENTS

WO 2009-155698 A1 12/2009

OTHER PUBLICATIONS

Goal Zero, Sherpa 50 Solar Recharging Kit—Goal Zero—Endurance Class. Retrieved Mar. 25, 2013. <<http://www.goalzero.com/shop/p/149/Sherpa-50-Solar-Recharging-Kit/1:4/>>.

(Continued)

Primary Examiner — Derrick Holland
(74) *Attorney, Agent, or Firm* — Maschoff Brennan

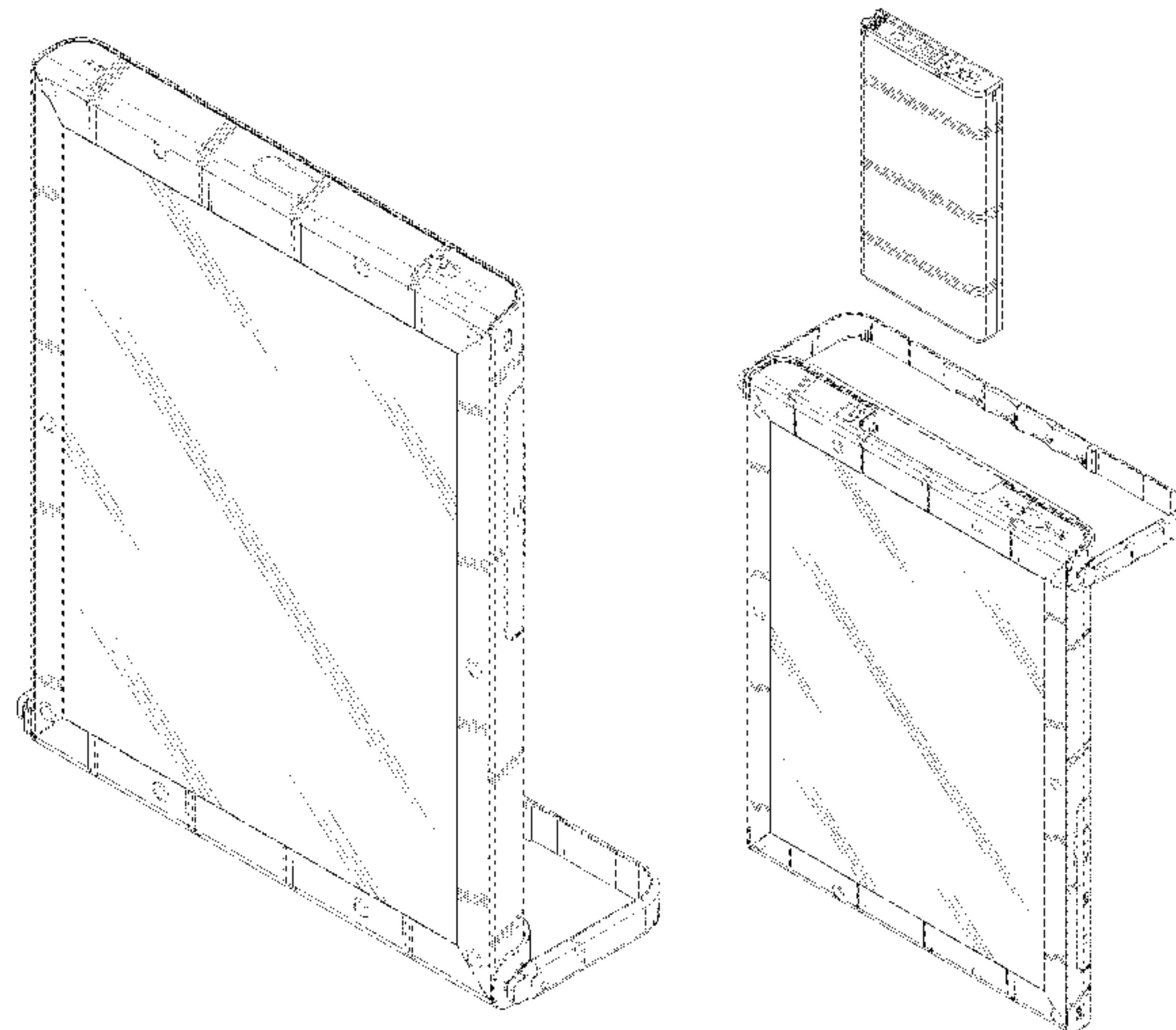
(57) **CLAIM**

The ornamental design for a solar device with removable cassette, as shown and described.

DESCRIPTION

FIG. 1 is a perspective view taken from a front, top side of a solar device with removable cassette showing my new design, with the handle/stand in a first position;
FIG. 2 is a perspective view taken from a front, bottom side of the solar device with removable cassette shown in FIG. 1;
FIG. 3 is a front view of the solar device with removable cassette shown in FIG. 1;
FIG. 4 is a back view of the solar device with removable cassette shown in FIG. 1, and illustrates the removable cassette shown in an engaged position;
FIG. 5 is a first side view of the solar device with removable cassette shown in FIG. 1;
FIG. 6 is a second side view of the solar device with removable cassette shown in FIG. 1;
FIG. 7 is a top view of the solar device with removable cassette shown in FIG. 1;
FIG. 8 is a bottom view of the solar device with removable cassette shown in FIG. 1, and illustrates the removable cassette in the engaged position;
FIG. 9 is a front perspective view taken from the bottom of the solar device with removable cassette shown in FIG. 1, and illustrates the removable cassette in a disengaged position;
FIG. 10 is a back perspective view taken from the bottom of the solar device with removable cassette shown in FIG. 1, and illustrates the removable cassette in the disengaged position; and,
FIG. 11 is a front perspective view taken from the top of the solar device with removable cassette shown in FIG. 1, with the handle/stand in a second position.
The broken lines shown represent unclaimed subject matter and form no part of the claimed design.

1 Claim, 9 Drawing Sheets



(56)

References Cited

U.S. PATENT DOCUMENTS

D454,837 S * 3/2002 Ibuki et al. D13/107
D489,680 S * 5/2004 Stobart D13/107
D493,768 S * 8/2004 Lam D13/102
6,977,479 B2 12/2005 Hsu
D534,861 S * 1/2007 Lam D13/102
D567,170 S * 4/2008 Chung et al. D13/102
D599,286 S * 9/2009 Horito et al. D13/102
D630,578 S * 1/2011 Ekmejdje D13/102
D645,401 S * 9/2011 Kurata D13/102

8,134,332 B2 3/2012 Lin et al.
D658,188 S * 4/2012 Diebel D14/440
2007/0075676 A1 4/2007 Novak
2011/0273133 A1 11/2011 Sala
2012/0281392 A1 11/2012 Workman et al.
2013/0043826 A1 2/2013 Workman et al.

OTHER PUBLICATIONS

Eton Corp, BoostSolar—Eton. Retrieved Mar. 25, 2013. <<http://www.etoncorp.com/en/productdisplay/boostsolar>>.

* cited by examiner

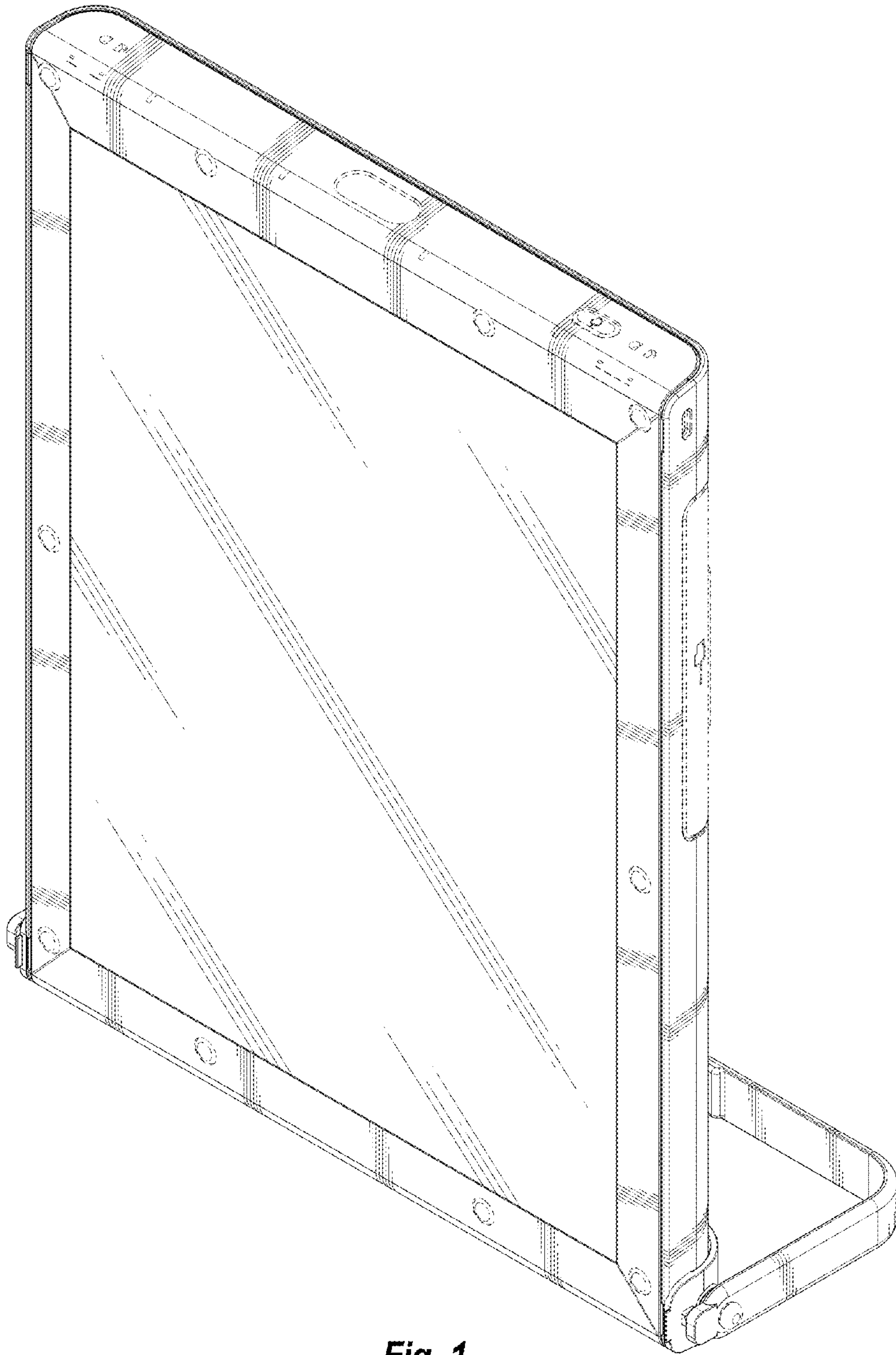


Fig. 1

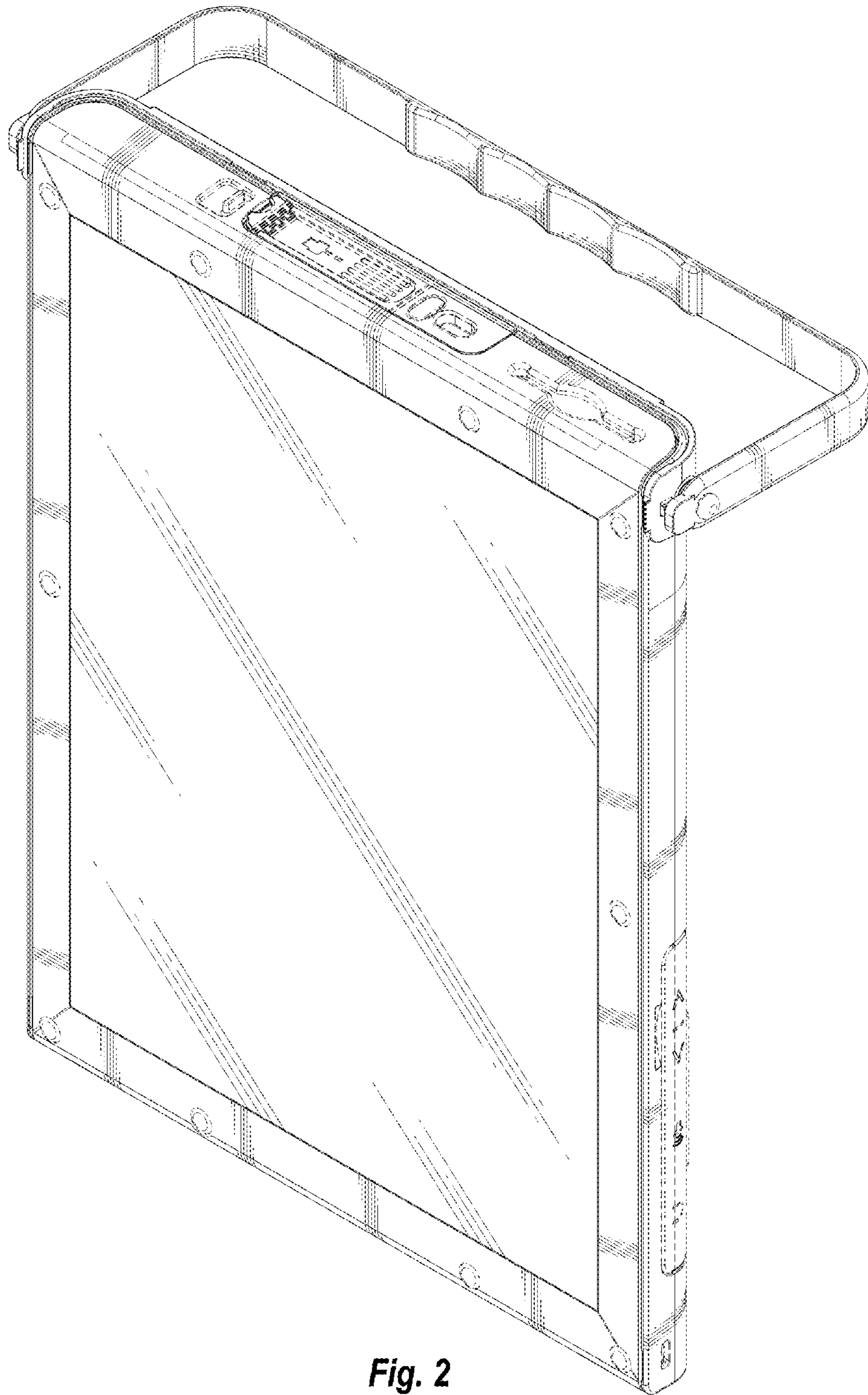


Fig. 2

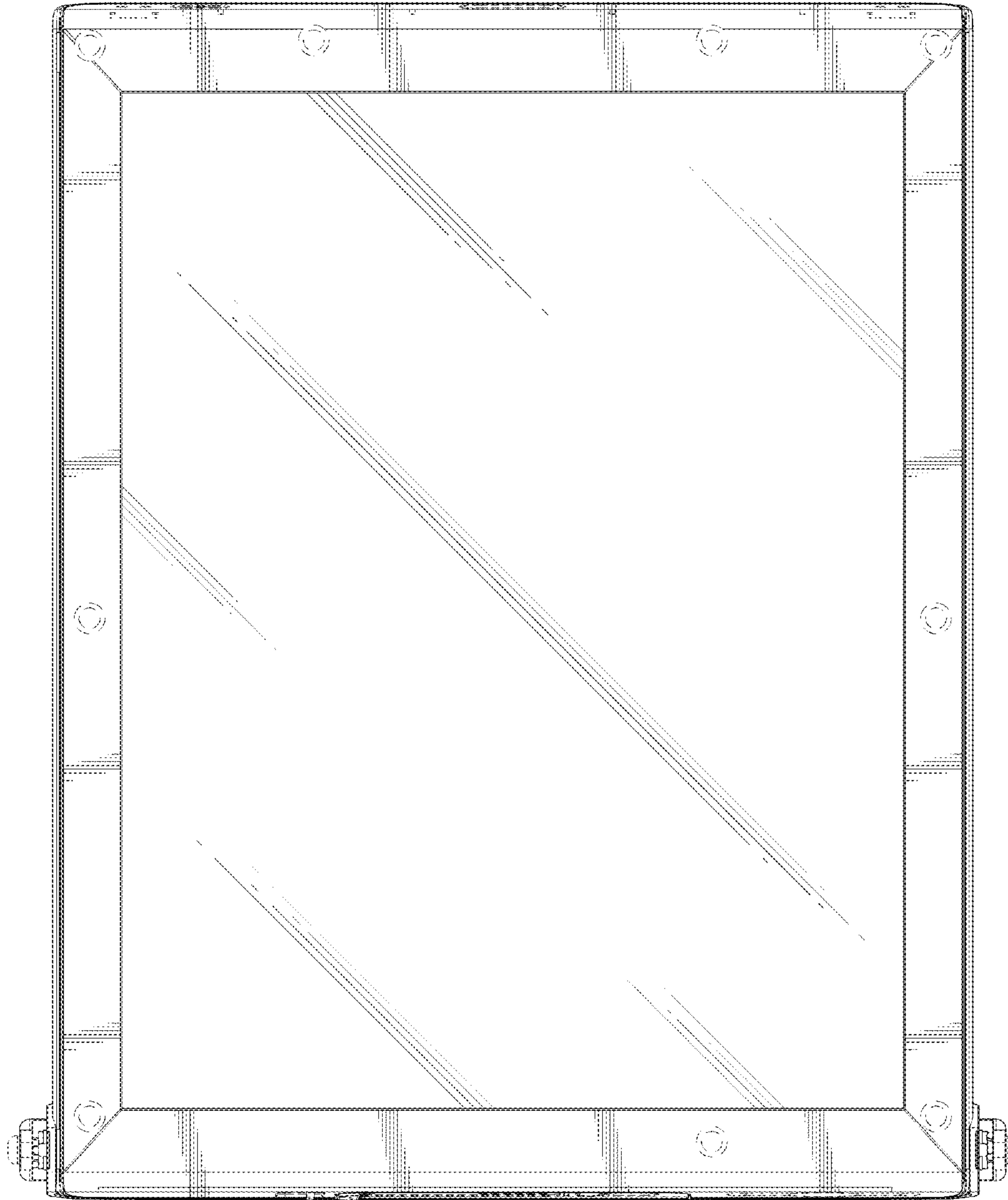


Fig. 3

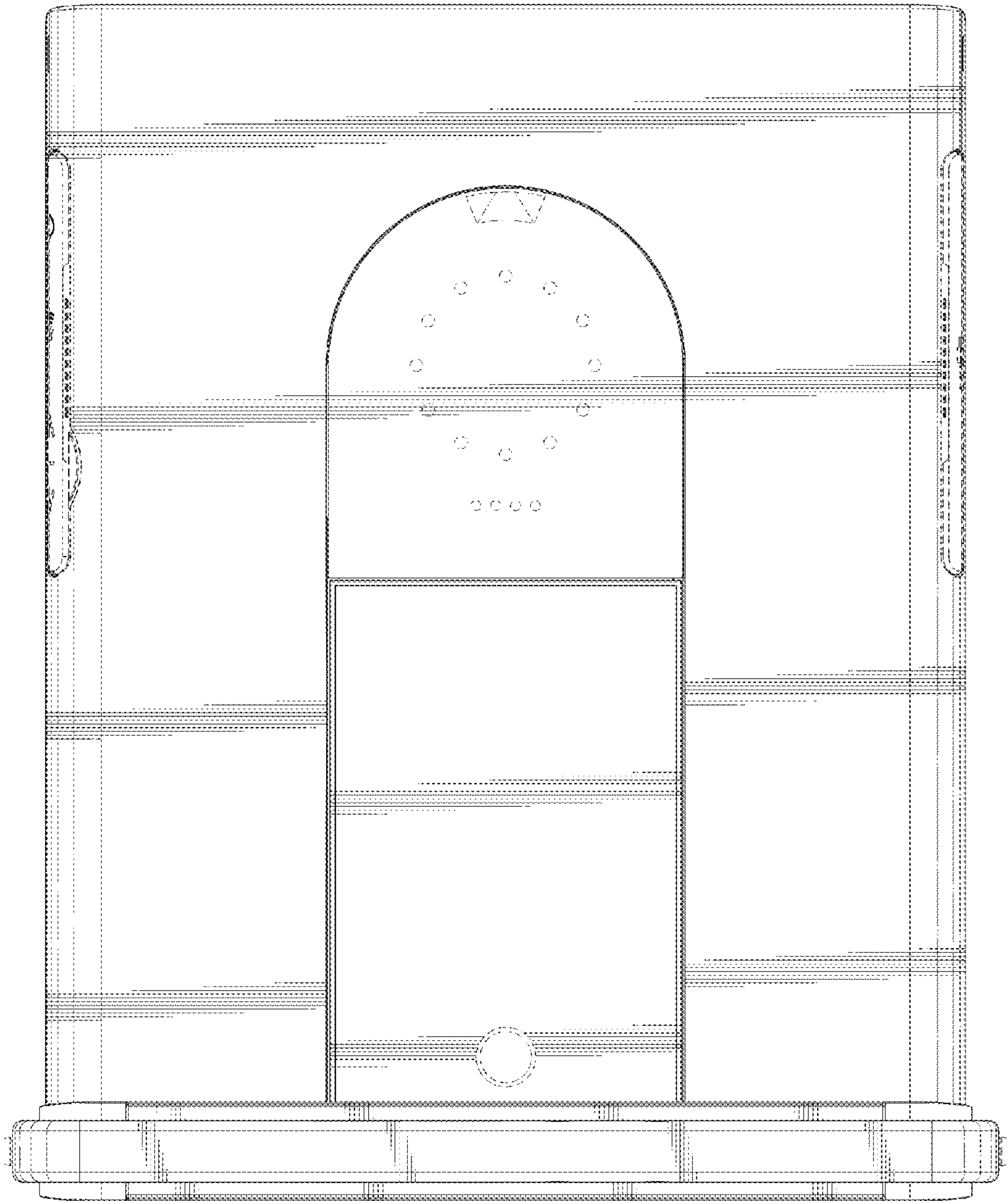


Fig. 4

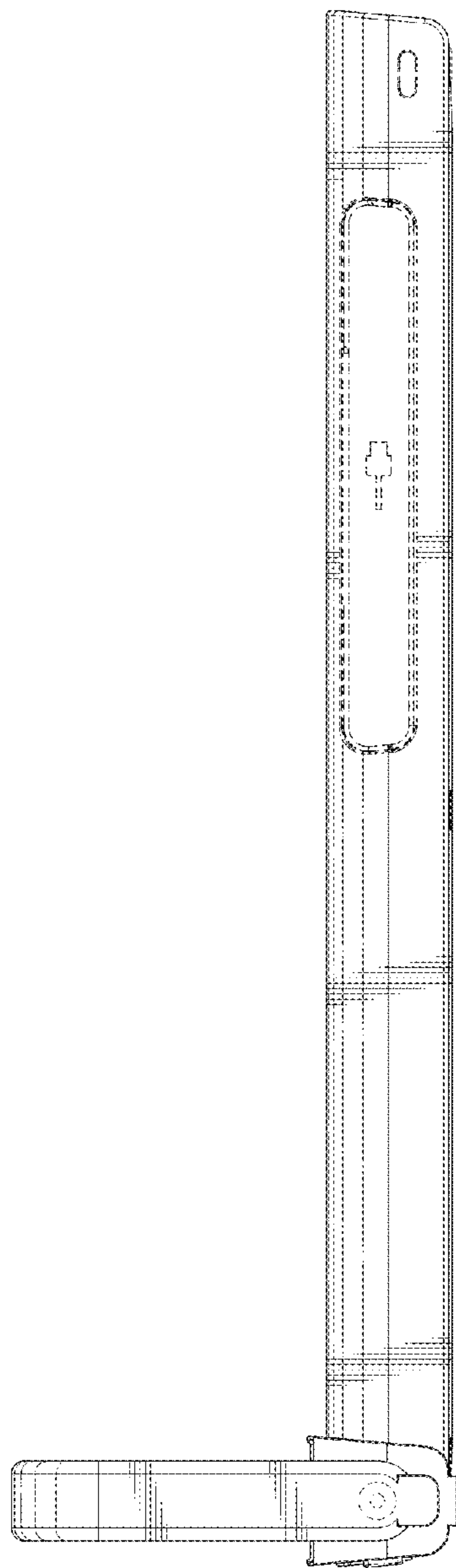


Fig. 5

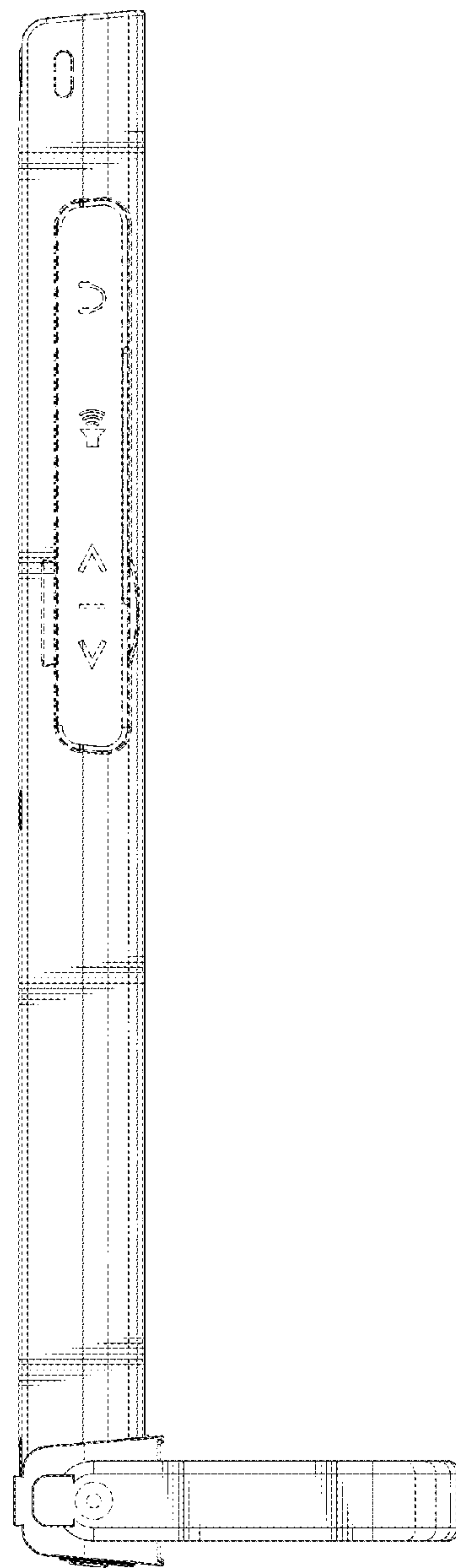


Fig. 6

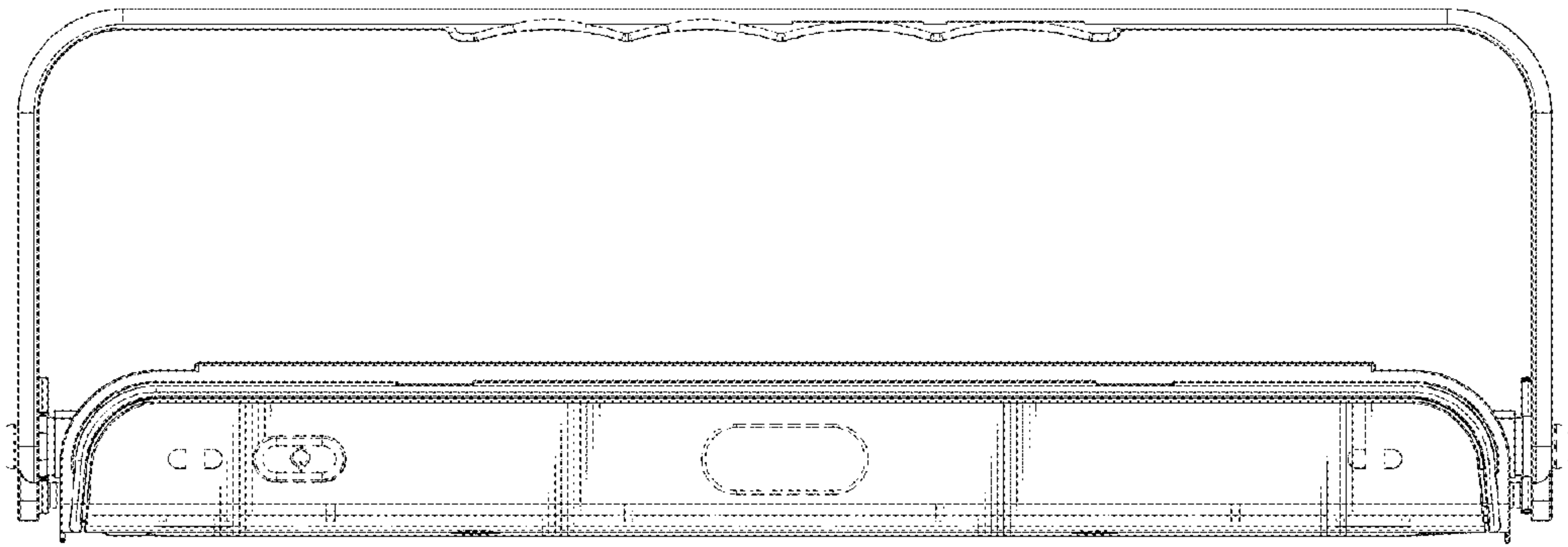


Fig. 7

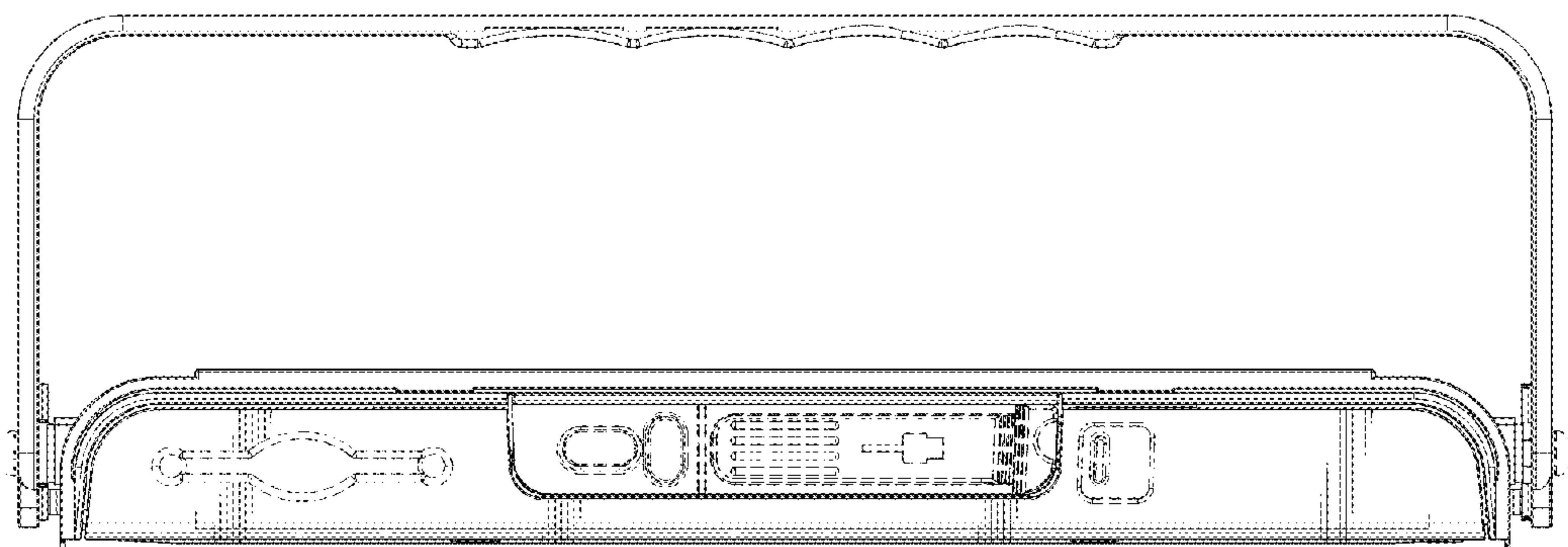


Fig. 8

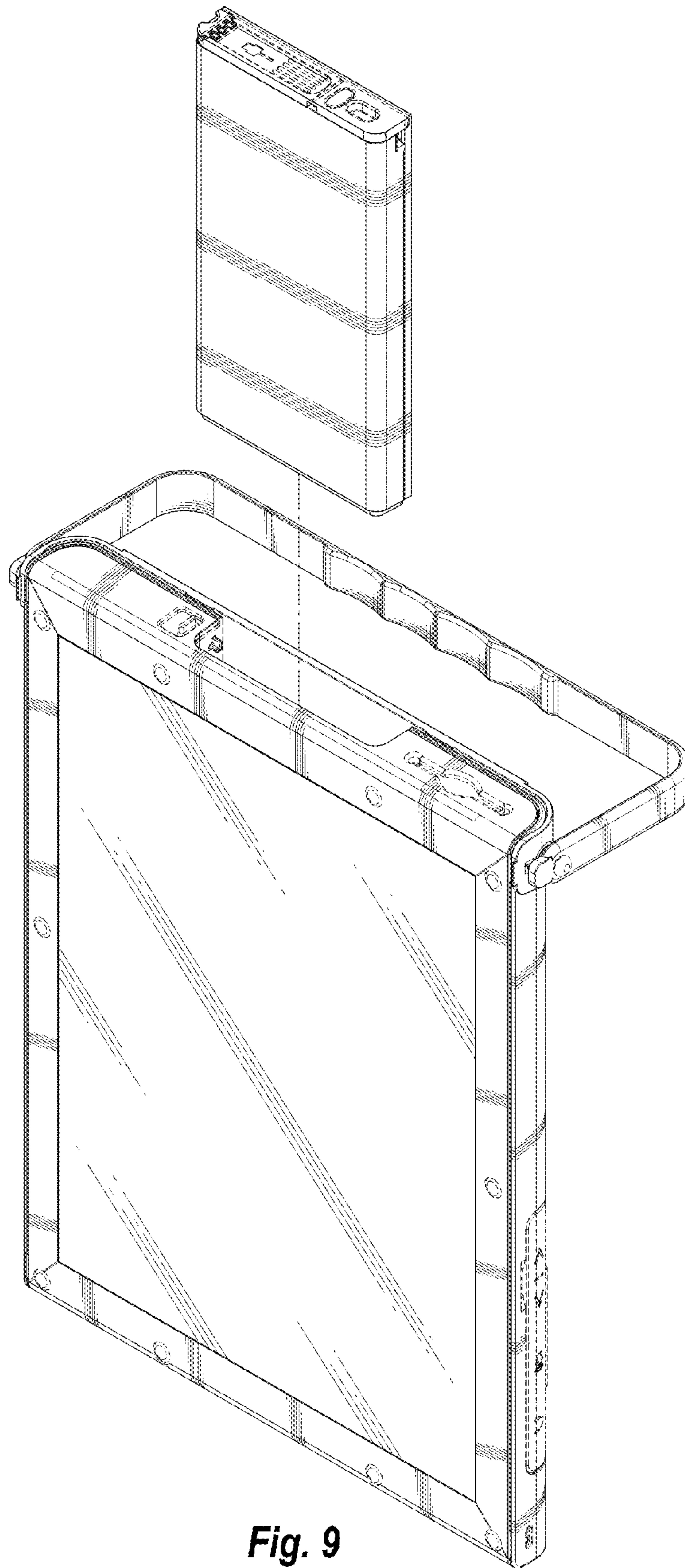


Fig. 9

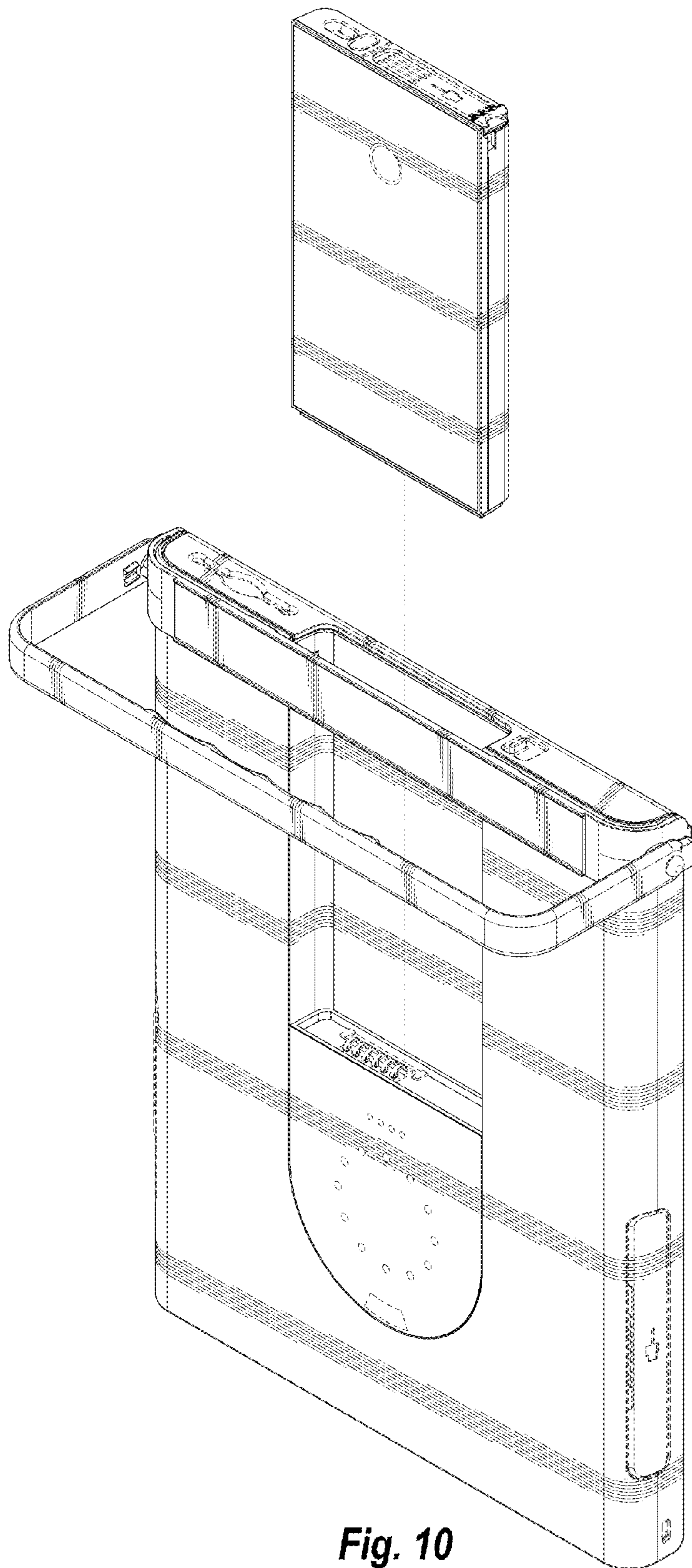


Fig. 10

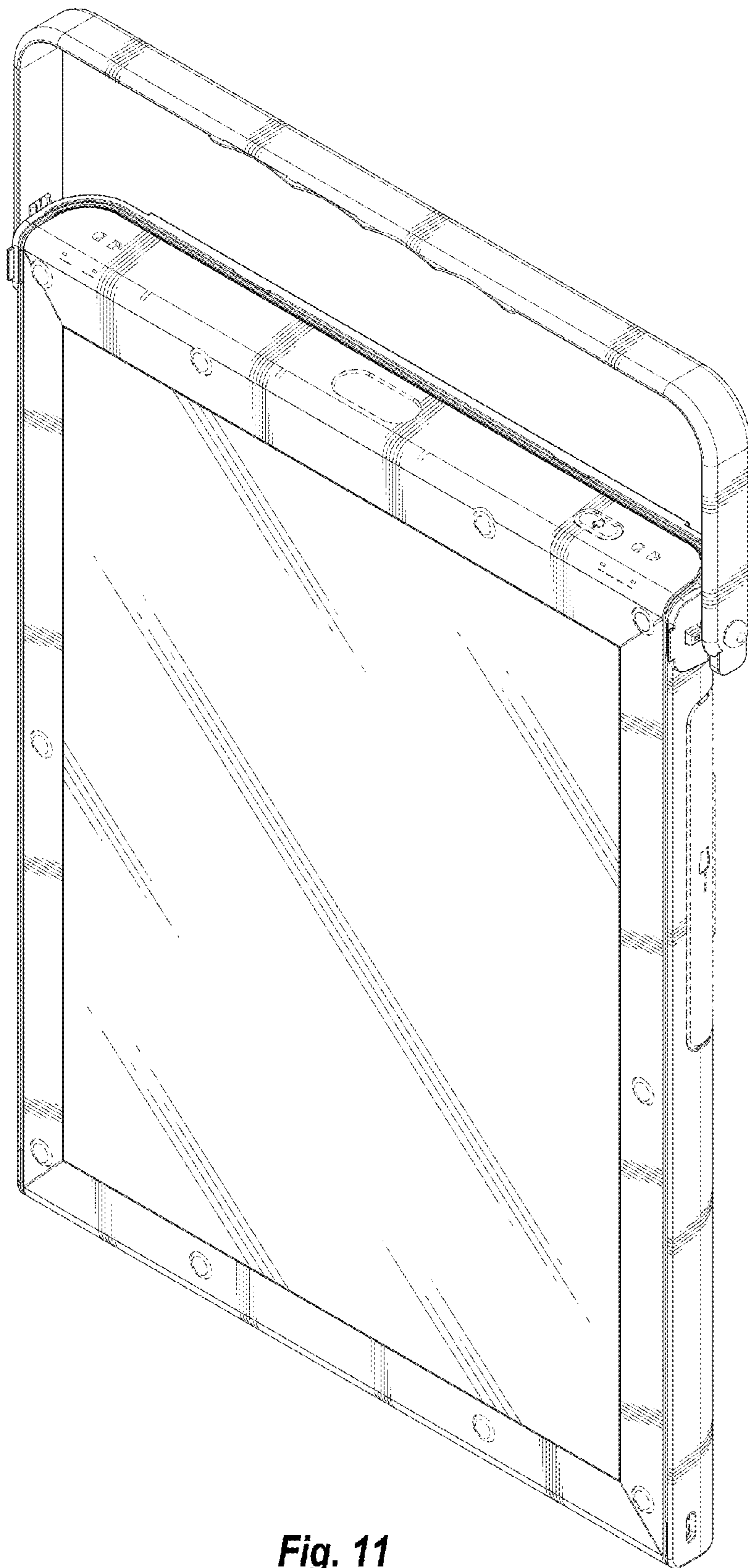


Fig. 11