



US00D701486S

(12) **United States Design Patent**  
**Yates et al.**

(10) **Patent No.:** **US D701,486 S**  
(45) **Date of Patent:** **\*\* Mar. 25, 2014**

- (54) **COLLECTIVE CONTROL POST AND GRIP**
  - (71) Applicant: **Bell Helicopter Textron Inc.**, Fort Worth, TX (US)
  - (72) Inventors: **Travis L. Yates**, Lakeside, TX (US);  
**Bradley D. Linton**, Mansfield, TX (US);  
**Chad R. Haugeberg**, Arlington, TX (US)
  - (73) Assignee: **Bell Helicopter Textron Inc.**, Fort Worth, TX (US)
  - (\*\*) Term: **14 Years**
  - (21) Appl. No.: **29/447,393**
  - (22) Filed: **Mar. 3, 2013**
  - (51) **LOC (10) Cl.** ..... **12-07**
  - (52) **U.S. Cl.**  
USPC ..... **D12/345**
  - (58) **Field of Classification Search**  
USPC ..... D12/16.1, 319, 326-329, 331-334,  
D12/337-339, 344, 345, 400, 415, 421,  
D12/423-425, 192; D14/405, 412-416;  
D21/324, 333, 477, 566, 430,  
D21/436-453; 273/148 B; 244/2, 5, 6, 7 A,  
244/7 R, 7 C, 8, 12.1-12.4, 17.11, 17.13,  
244/17.19, 17.23, 17.25, 17.27, 60, 99.1,  
244/117 R, 118.5, 118.6, 119, 221, 223,  
244/229, 234; 74/471 XY, 491; 318/574,  
318/585, 675; 345/156, 161; 463/36-38;  
296/37.8; D15/28
- See application file for complete search history.

4,865,277	A *	9/1989	Smith et al.	244/234
4,887,782	A *	12/1989	Carnell et al.	244/234
4,895,040	A *	1/1990	Soederberg	74/491
5,137,234	A *	8/1992	Sakurai	244/234
5,149,023	A *	9/1992	Sakurai et al.	244/229
5,156,363	A *	10/1992	Cizewski et al.	244/223
5,456,428	A *	10/1995	Hegg	244/229
5,769,363	A *	6/1998	Griswold et al.	244/234
5,900,710	A *	5/1999	Gautier et al.	318/675
6,254,037	B1 *	7/2001	Fenny et al.	244/223
D462,685	S *	9/2002	Yamamoto et al.	D14/415
6,631,652	B1 *	10/2003	Okazawa et al.	74/471 XY
6,682,116	B1 *	1/2004	Okumura	296/37.8
D516,096	S *	2/2006	Bergman et al.	D15/28
D581,861	S *	12/2008	Anttila et al.	D12/421
D581,862	S *	12/2008	Anttila et al.	D12/421
D613,232	S *	4/2010	Guering	D12/345
D613,668	S *	4/2010	Guering	D12/345
2009/0139360	A1 *	6/2009	Diccion	74/471 XY
2009/0230252	A1 *	9/2009	Daunois et al.	244/234

\* cited by examiner

*Primary Examiner* — Caron D Veynar  
*Assistant Examiner* — Martie K Holtje

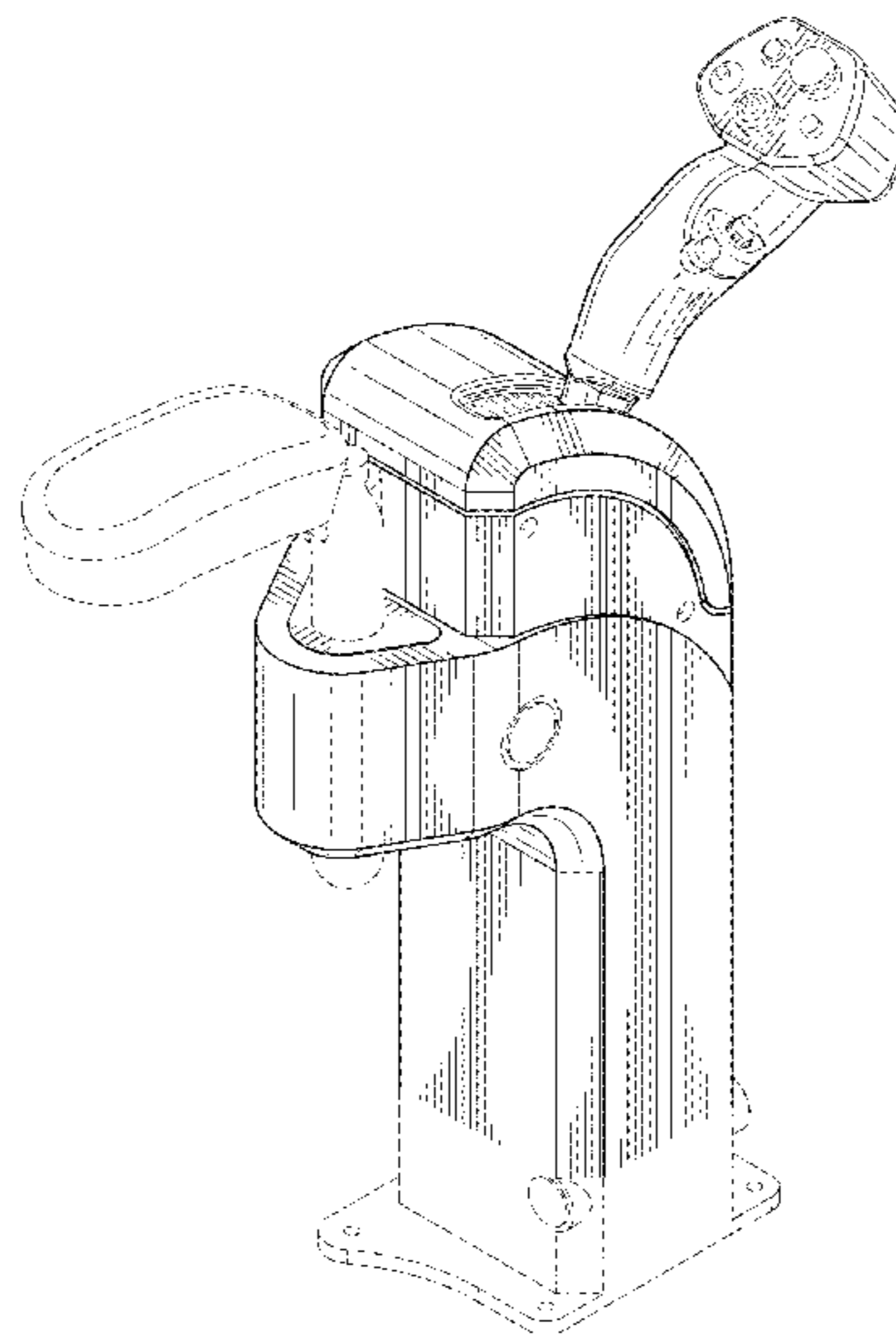
(57) **CLAIM**  
The ornamental design for a collective control post and grip, as shown and described.

**DESCRIPTION**

FIG. 1 is a front perspective view of a collective control post and grip showing our new design;  
FIG. 2 is a front elevational view thereof;  
FIG. 3 is a rear elevational view thereof;  
FIG. 4 is a right side elevational view thereof;  
FIG. 5 is a left side elevational view thereof;  
FIG. 6 is a top plan view thereof;  
FIG. 7 is a bottom plan view thereof; and,  
FIG. 8 is a rear perspective view thereof.  
The broken line showing of structural elements is included for the purpose of illustrating portions of the collective control post and grip that form no part of the claimed design.

**1 Claim, 6 Drawing Sheets**

- (56) **References Cited**  
U.S. PATENT DOCUMENTS
- |           |     |         |                |         |
|-----------|-----|---------|----------------|---------|
| 4,012,014 | A * | 3/1977  | Marshall       | 244/234 |
| 4,130,259 | A * | 12/1978 | Carlson et al. | 244/234 |
| 4,584,510 | A * | 4/1986  | Hollow         | 318/584 |



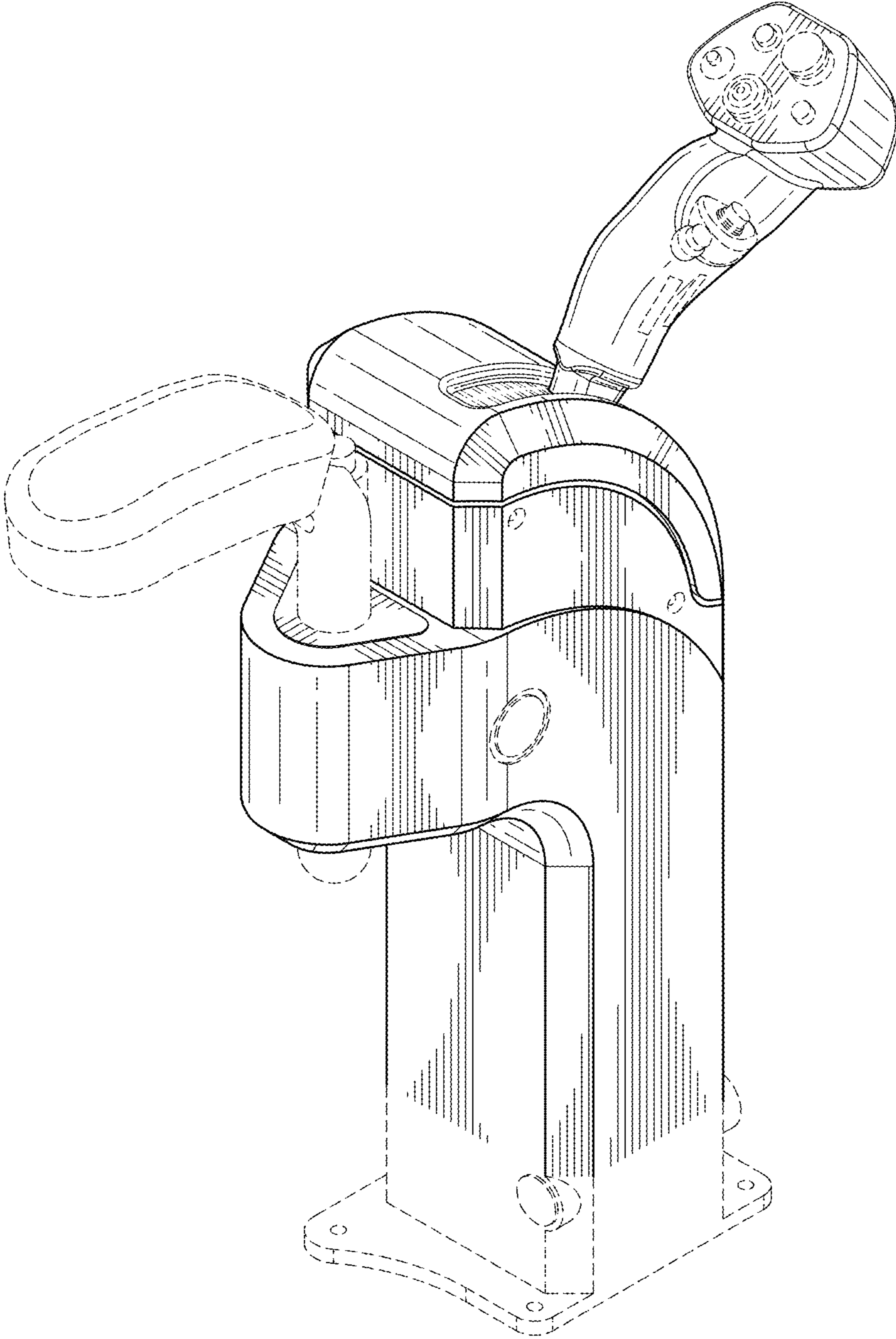


FIG. 1

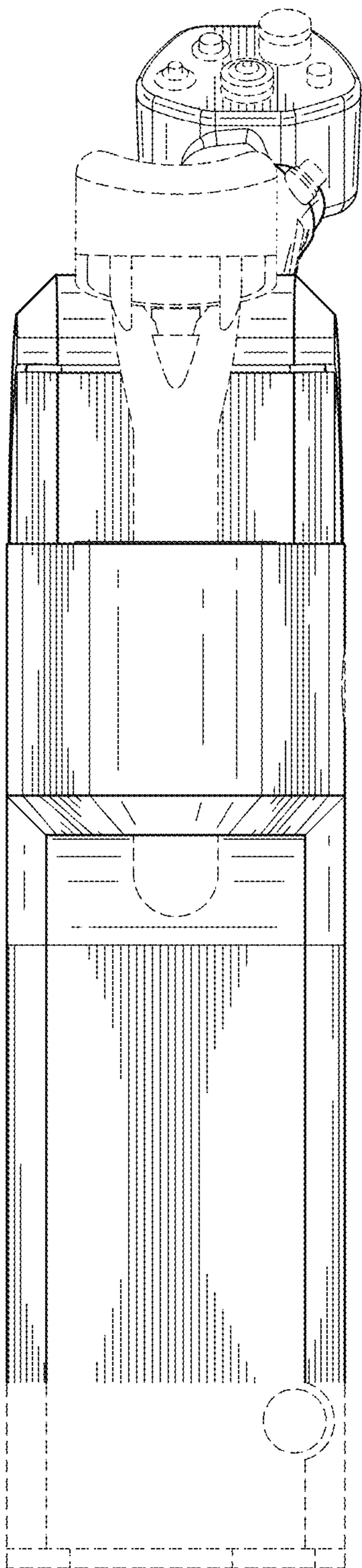


FIG. 2

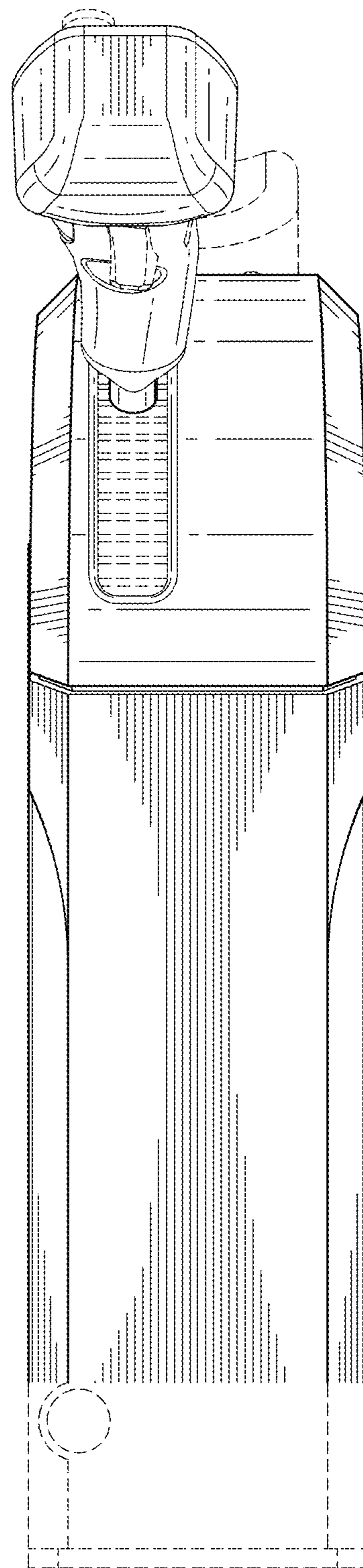


FIG. 3

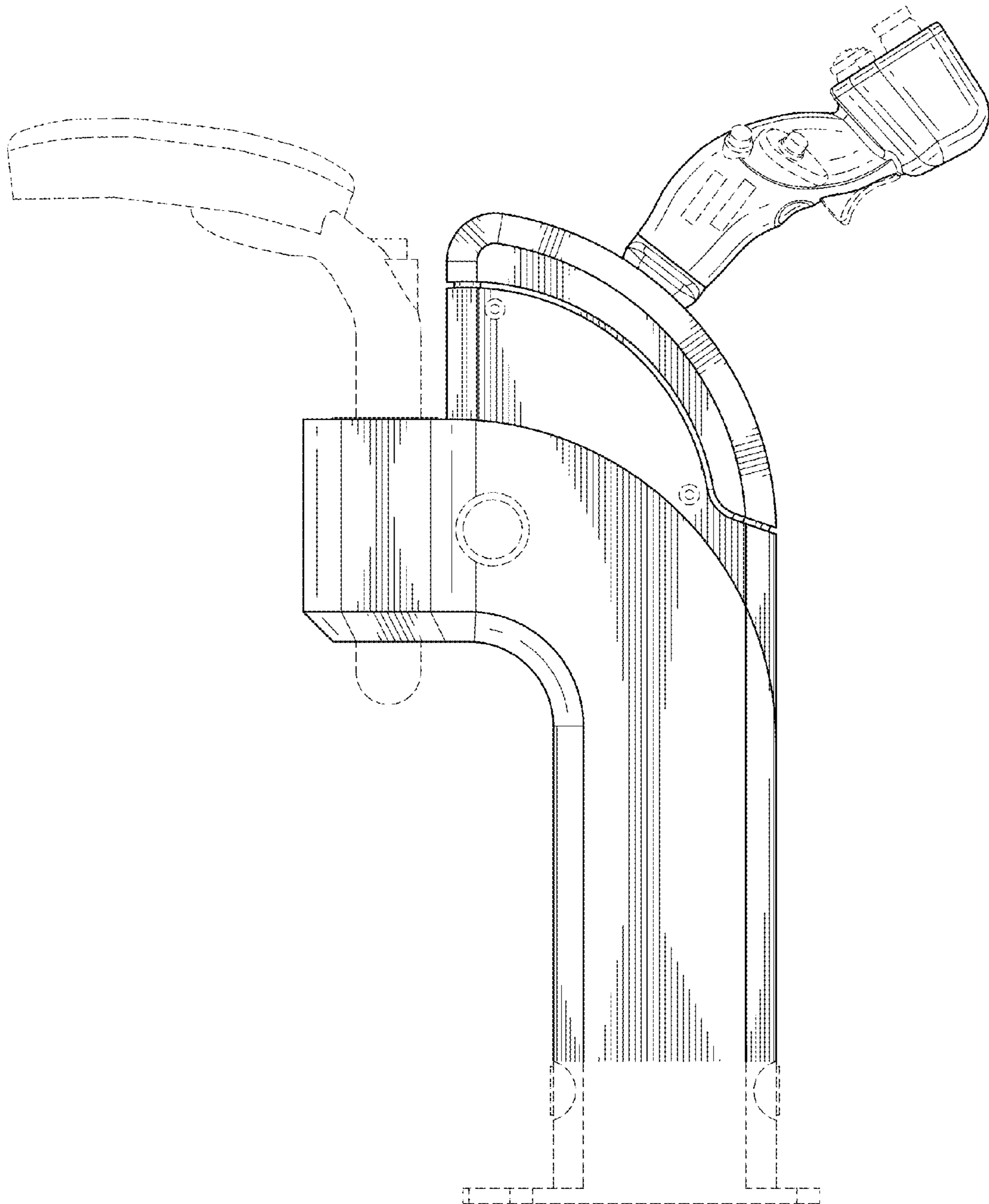


FIG. 4

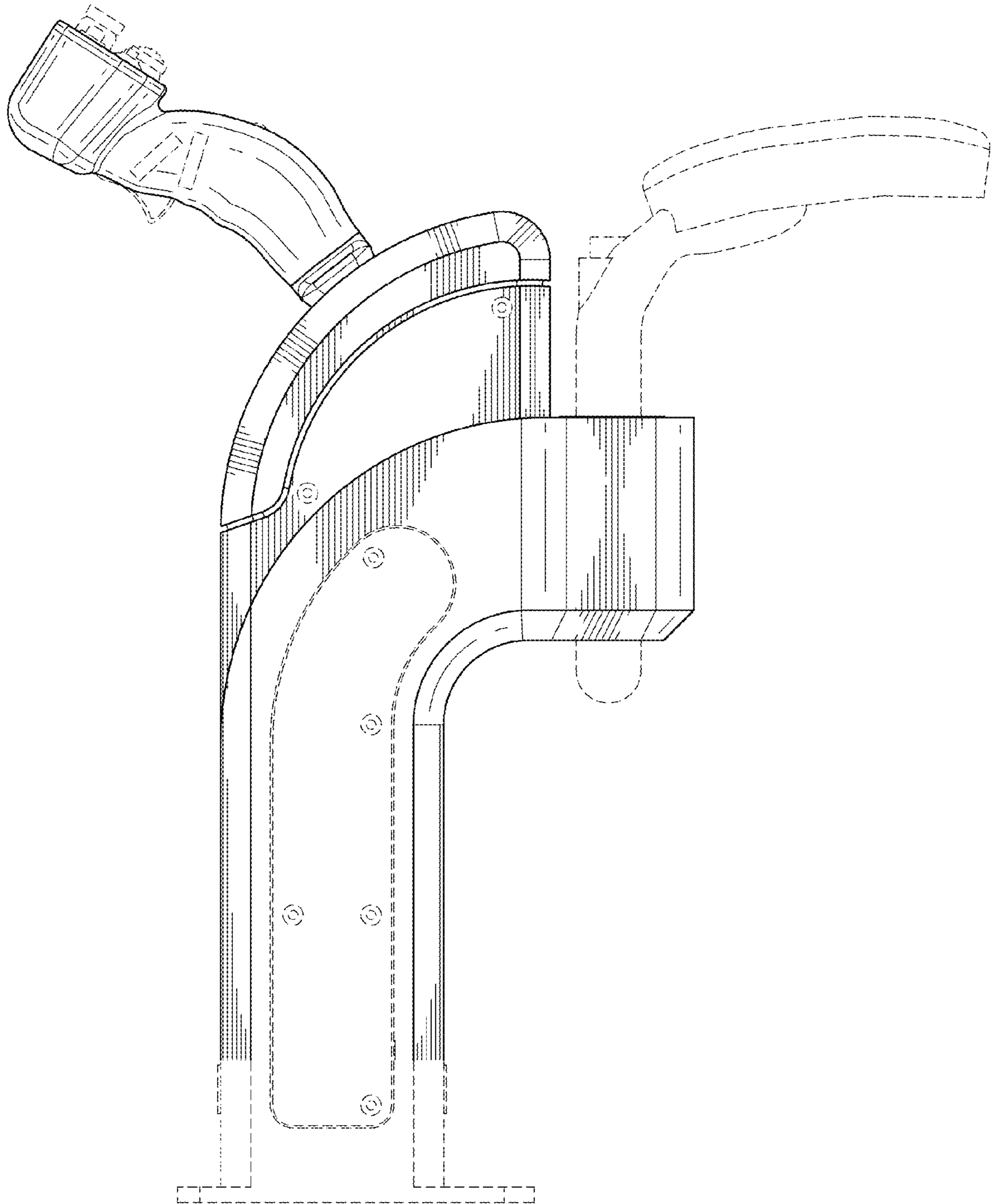


FIG. 5

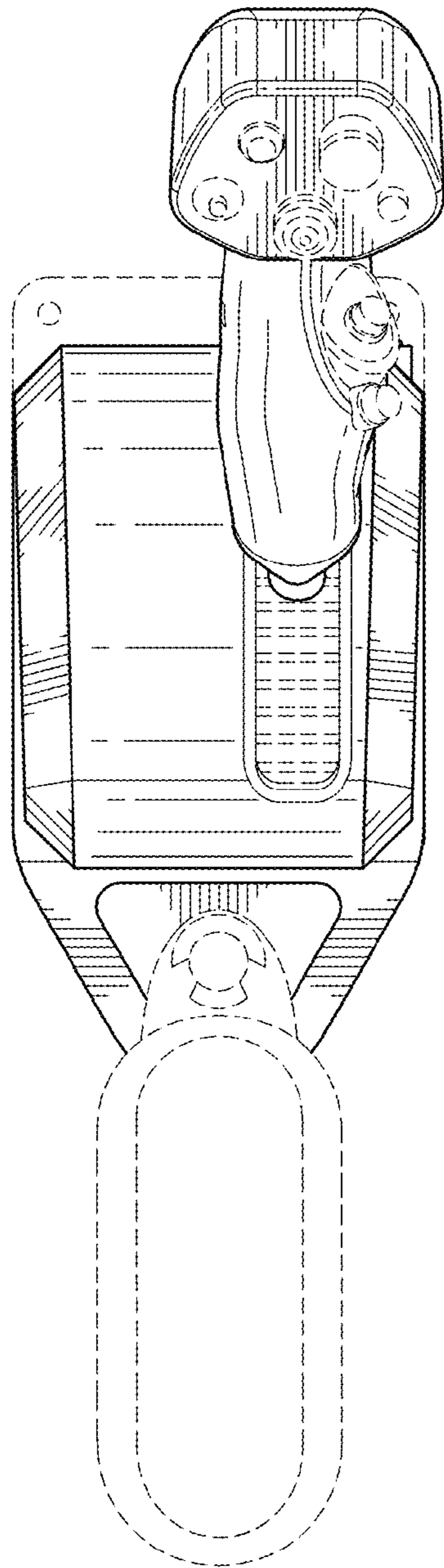


FIG. 6

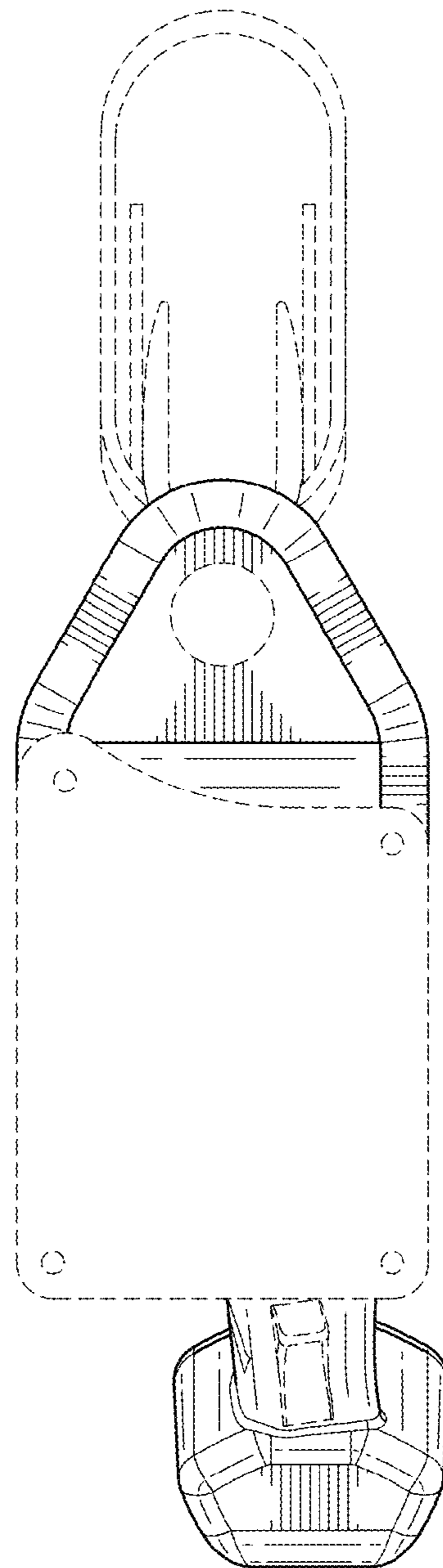


FIG. 7

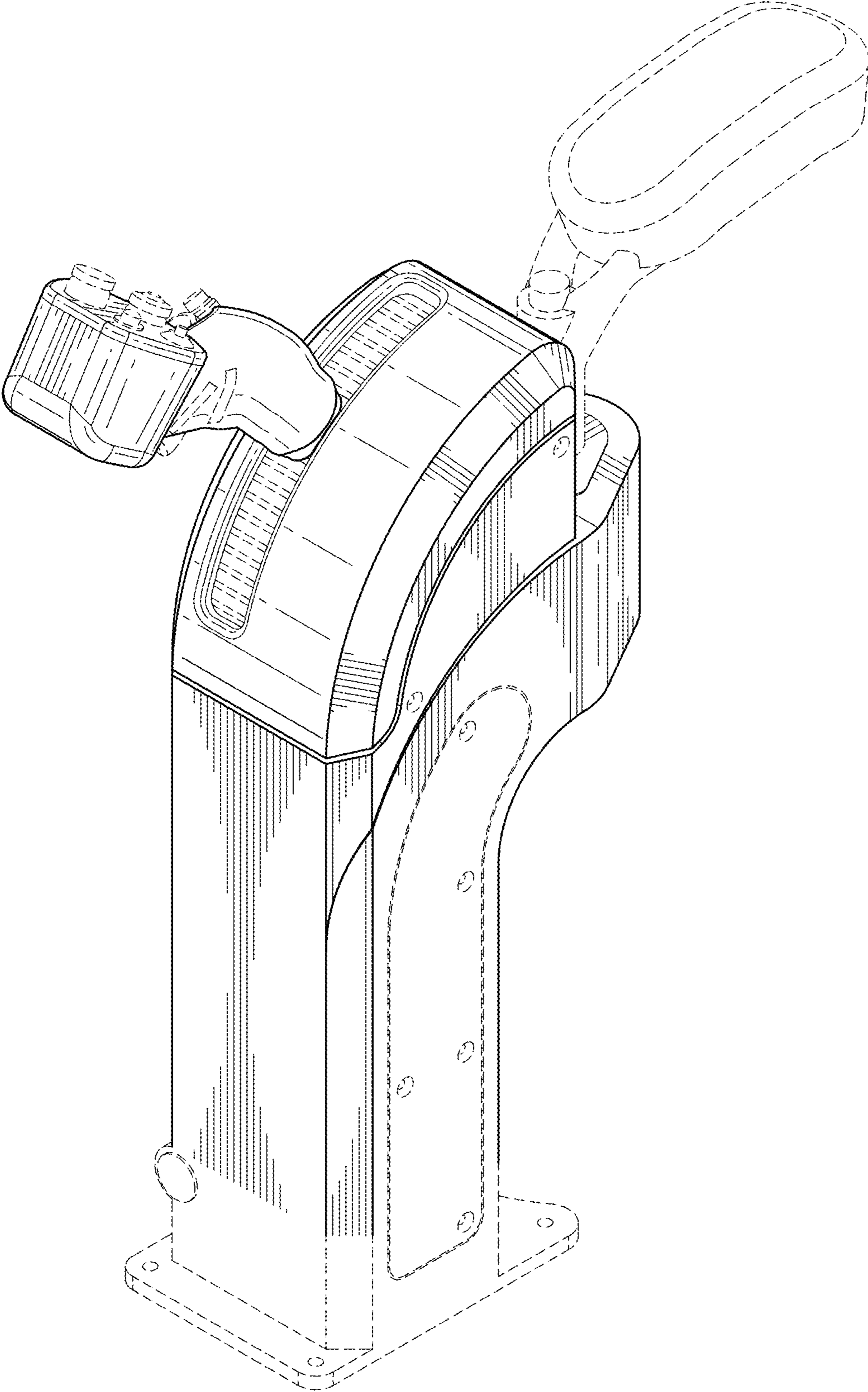


FIG. 8