



US00D701484S

(12) **United States Design Patent**  
**Vaughn et al.**

(10) **Patent No.:** **US D701,484 S**  
(45) **Date of Patent:** **\*\* Mar. 25, 2014**

- (54) **BOAT HULL PAD**
- (75) Inventors: **Michael D. Vaughn**, Ketchum, OK (US); **James R. Killman**, Claremore, OK (US)
- (73) Assignee: **HydroHoist Marine Group, Inc.**, Claremore, OK (US)
- (\*\*) Term: **14 Years**
- (21) Appl. No.: **29/368,647**
- (22) Filed: **Aug. 26, 2010**
- (51) **LOC (10) Cl.** ..... **12-06**
- (52) **U.S. Cl.**  
USPC ..... **D12/317**
- (58) **Field of Classification Search**  
USPC ..... D12/203, 317; 114/344; 405/1-7; 280/163, 166, 169, 414.1; 414/529, 414/531, 534; 15/215  
See application file for complete search history.

7,819,412	B2 *	10/2010	McPherson	.....	280/163
7,896,374	B2 *	3/2011	Kuntze et al.	.....	280/169
8,136,826	B2 *	3/2012	Watson	.....	280/166
8,152,187	B1 *	4/2012	Crandall	.....	280/163
2006/0207491	A1 *	9/2006	Brown	.....	114/344
2007/0045984	A1 *	3/2007	Remedios et al.	.....	280/414.1
2007/0170692	A1 *	7/2007	MacKarvich	.....	280/414.1
2008/0018074	A1 *	1/2008	Steffens et al.	.....	280/163
2008/0100022	A1 *	5/2008	VanBelle et al.	.....	280/163
2009/0121449	A1 *	5/2009	Kuntze et al.	.....	280/163
2009/0174170	A1 *	7/2009	Remedios et al.	.....	280/414.1
2010/0102528	A1 *	4/2010	Stickles et al.	.....	280/163

\* cited by examiner

*Primary Examiner* — Cynthia M Chin

(74) *Attorney, Agent, or Firm* — GableGotwals

(57) **CLAIM**

The ornamental design for a boat hull pad, as shown and described.

**DESCRIPTION**

FIG. 1 is a perspective view of a boat hull pad, showing the front, bottom, and left side of our new design.

FIG. 2 is a front elevational view.

FIG. 3 is a top plan view, the bottom plan view being a mirror image thereof.

FIG. 4 is a left side elevational view, the right side elevational view being a mirror image thereof; and,

FIG. 5 is a rear elevational view.

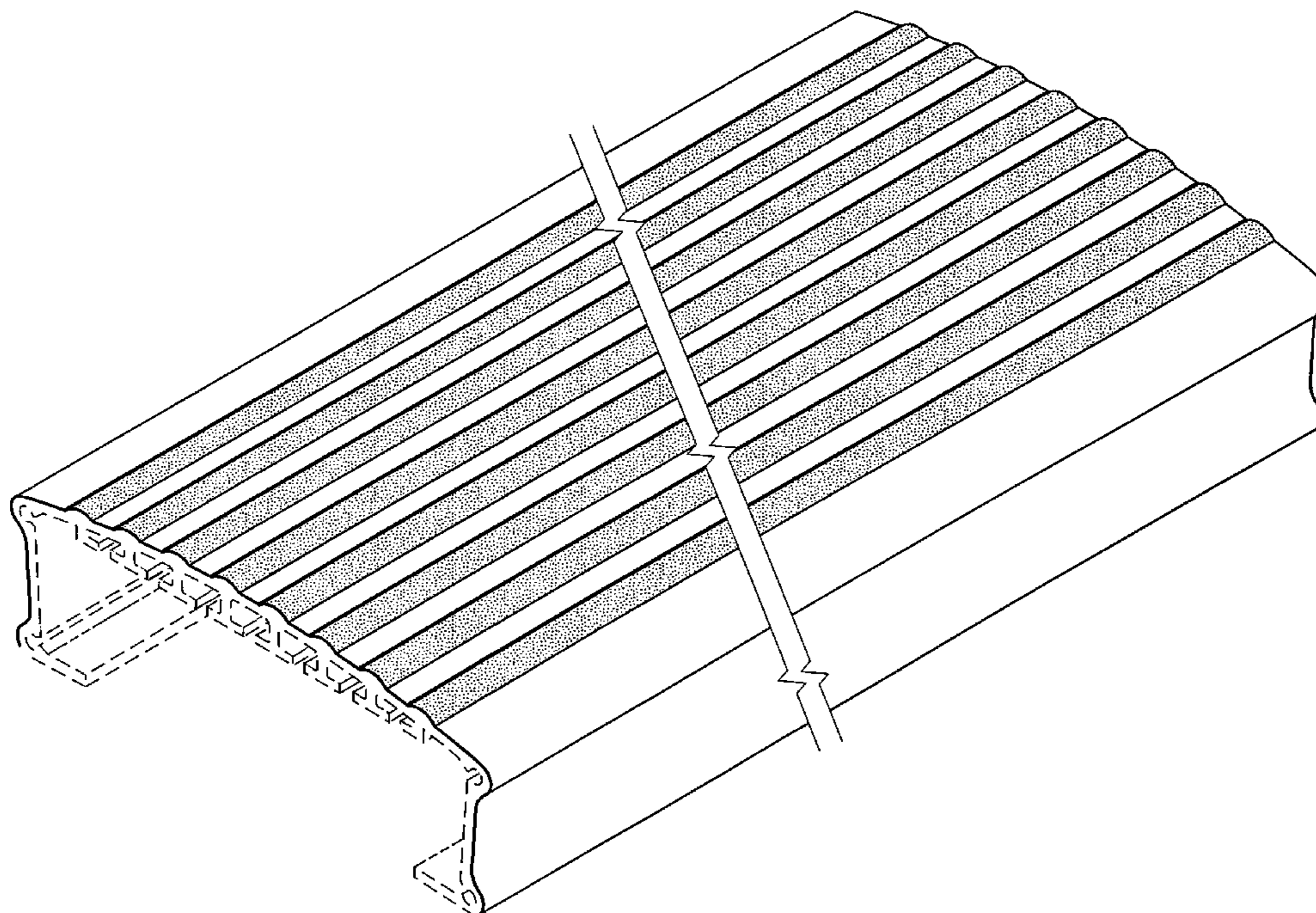
The broken lines represent portions of the article that form no part of the claim. The broken away symbols in the drawings indicate the appearance of any portion of the article between the break lines forms no part of the claimed design.

**1 Claim, 3 Drawing Sheets**

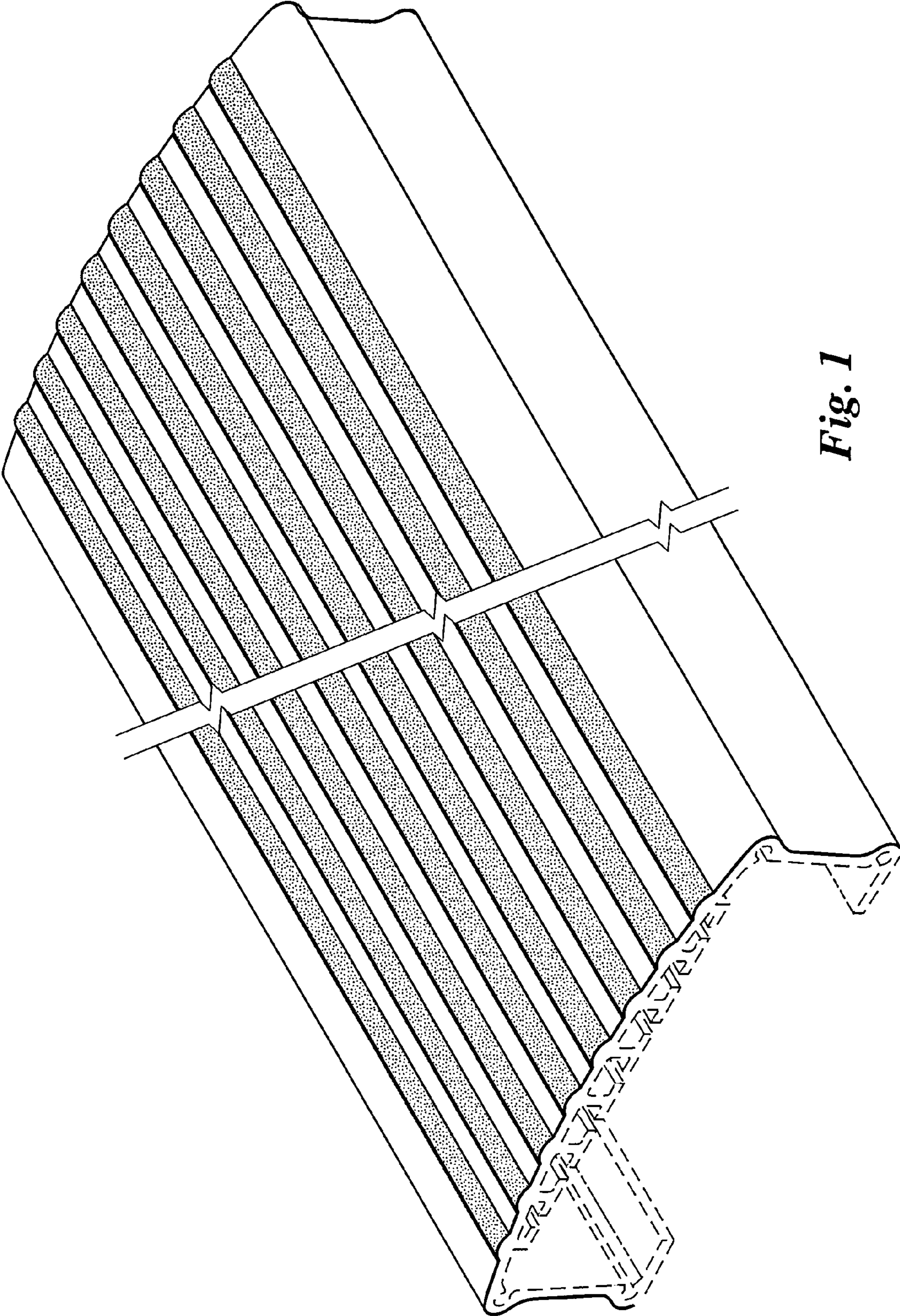
(56) **References Cited**

**U.S. PATENT DOCUMENTS**

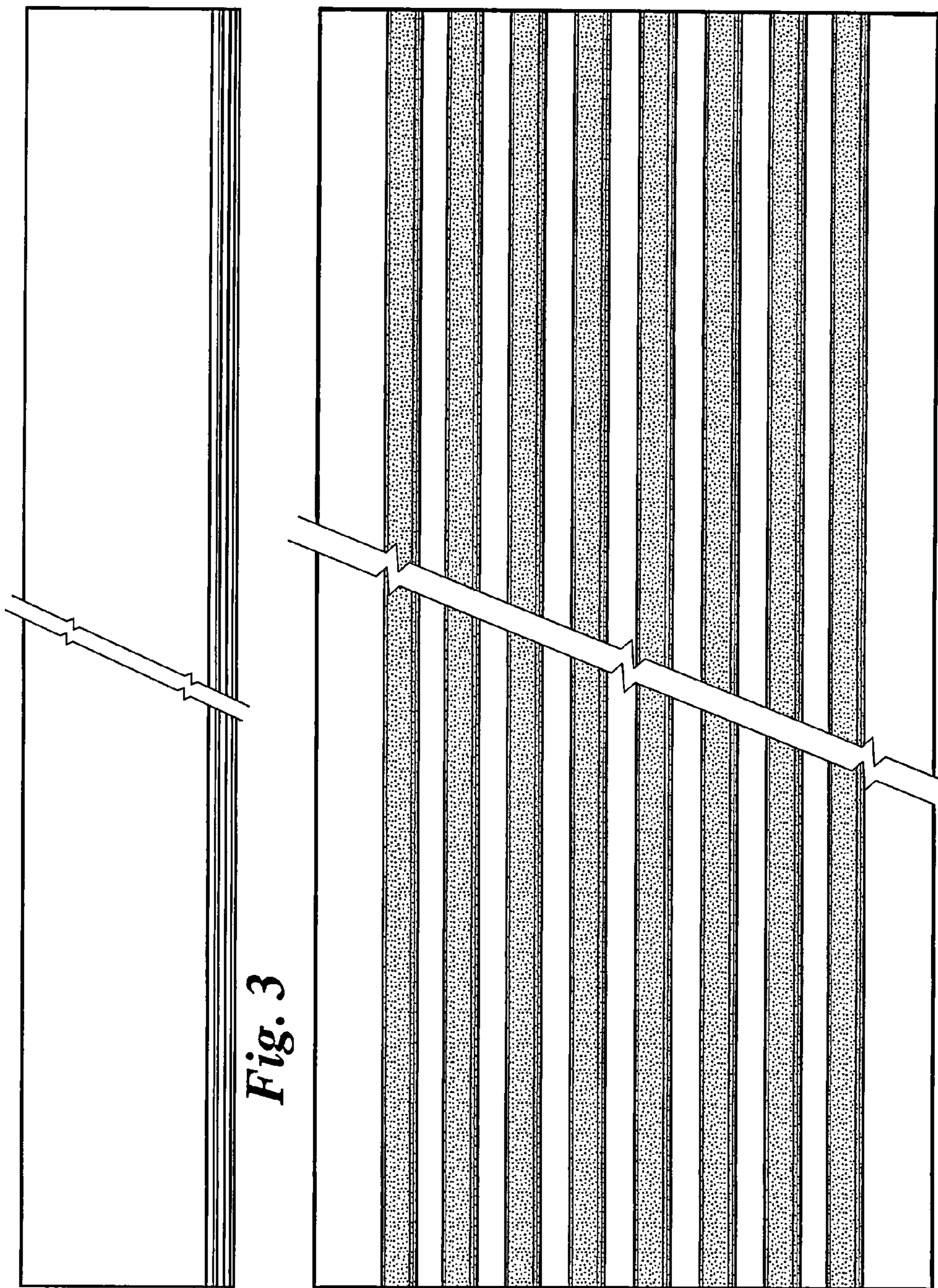
5,186,576	A *	2/1993	Fournier	.....	405/7
6,189,909	B1 *	2/2001	Danchuk	.....	280/414.1
6,409,193	B2 *	6/2002	Bernard	.....	280/163
7,168,721	B2 *	1/2007	Mulder	.....	280/163
7,191,726	B2 *	3/2007	Argitis	.....	114/344
7,334,807	B2 *	2/2008	Mulder et al.	.....	280/163
7,513,565	B2 *	4/2009	Watson	.....	280/163
7,581,745	B2 *	9/2009	Remedios et al.	.....	280/414.1
7,607,674	B2 *	10/2009	Watson	.....	280/166







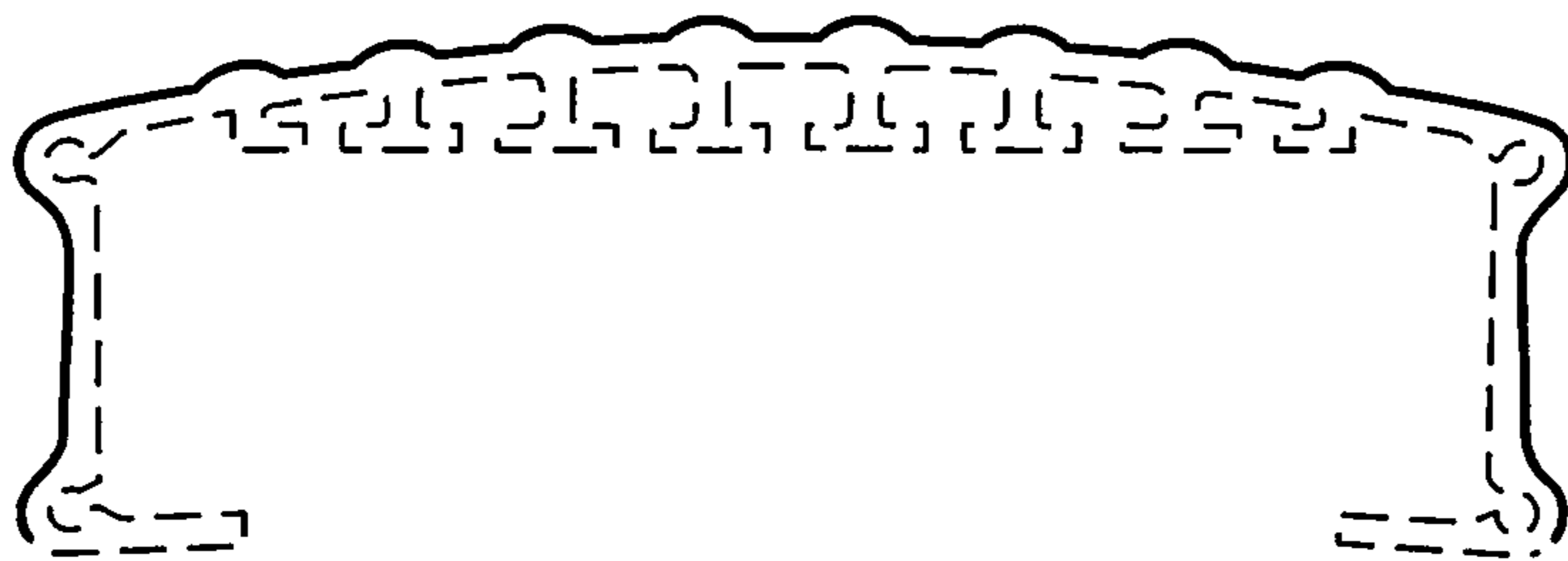
*Fig. 1*



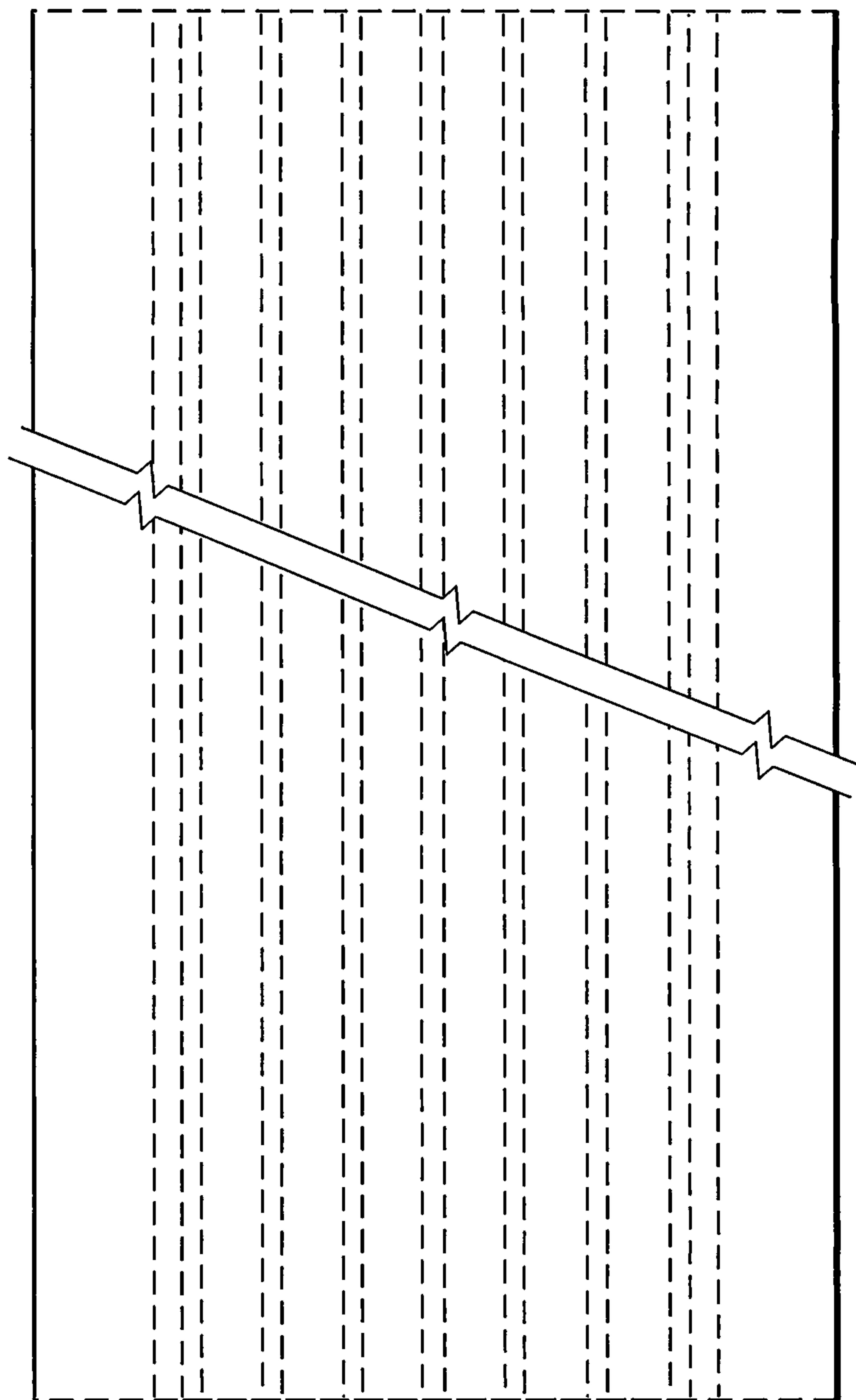
*Fig. 3*

*Fig. 2*





*Fig. 4*



*Fig. 5*