



US00D701481S

(12) **United States Design Patent**
Chung

(10) **Patent No.:** **US D701,481 S**

(45) **Date of Patent:** **** Mar. 25, 2014**

(54) **WHEEL**

(71) Applicant: **Wheel Pros, LLC**, Lakewood, CO (US)

(72) Inventor: **Suny Chung**, Yorba Linda, CA (US)

(73) Assignee: **Wheel Pros, LLC**, Greenwood Village, CO (US)

(**) Term: **14 Years**

(21) Appl. No.: **29/447,892**

(22) Filed: **Mar. 7, 2013**

Related U.S. Application Data

(62) Division of application No. 29/435,797, filed on Oct. 29, 2012.

(51) **LOC (10) Cl.** **12-16**

(52) **U.S. Cl.**
USPC **D12/211**

(58) **Field of Classification Search**
USPC D12/204-213; 301/37.101, 64.101, 65,
301/64.201

See application file for complete search history.

(56) **References Cited**

U.S. PATENT DOCUMENTS

D451,873 S *	12/2001	Donikoglu	D12/209
D463,348 S *	9/2002	Kataoka	D12/209
D470,812 S *	2/2003	Chu	D12/211
D481,985 S *	11/2003	Cahyono	D12/211
D491,511 S *	6/2004	Brintouch et al.	D12/209
D540,733 S *	4/2007	Castiglione et al.	D12/211
D638,767 S *	5/2011	Groom	D12/211
D666,960 S *	9/2012	Chung	D12/211
D695,200 S *	12/2013	Zhao	D12/211

* cited by examiner

Primary Examiner — Stacia Cadmus

(74) *Attorney, Agent, or Firm* — Garcia-Zamor IP Law; Ruy M. Garcia-Zamor

(57) **CLAIM**

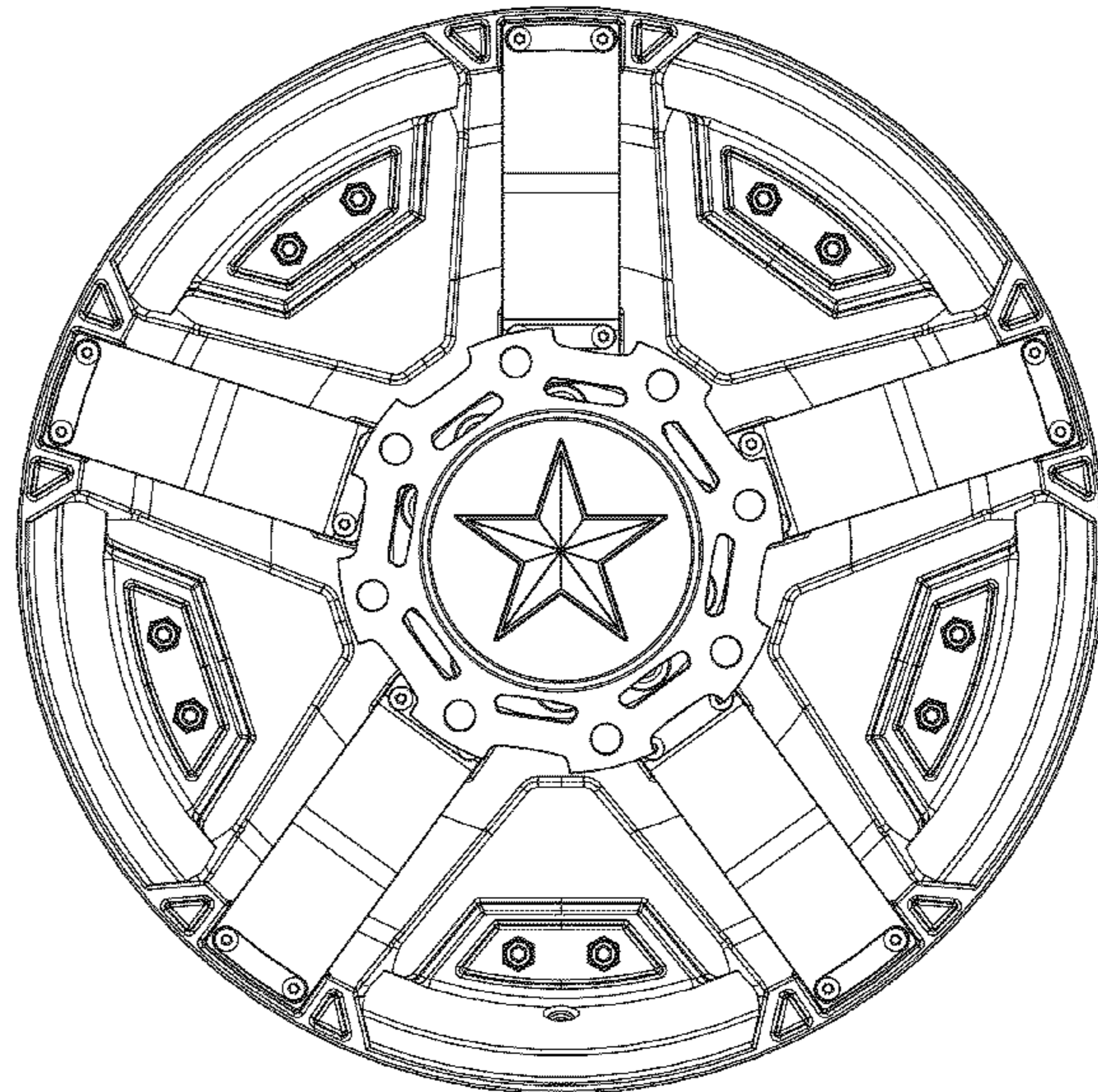
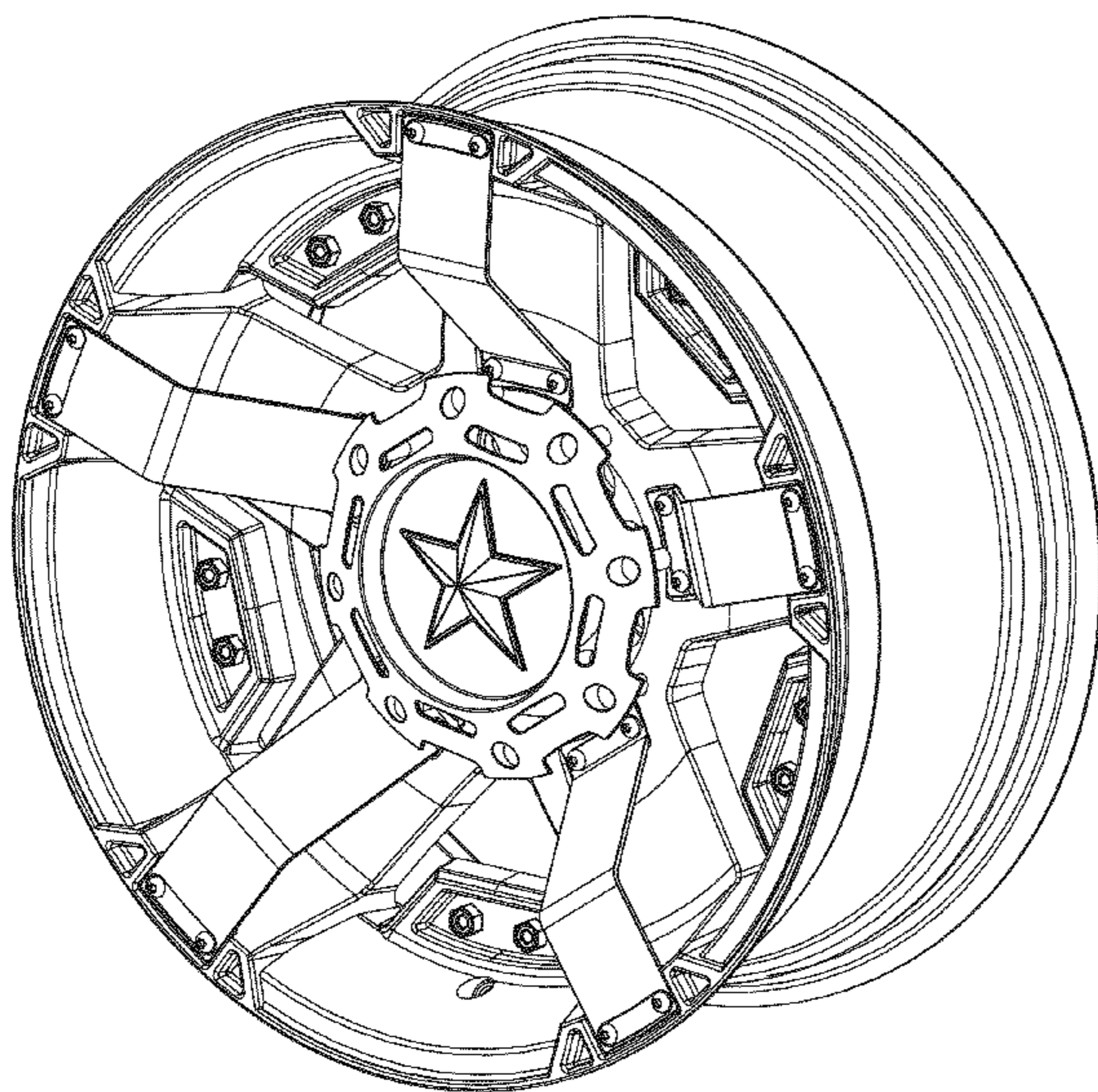
The ornamental design for a wheel, as shown and described.

DESCRIPTION

FIG. 1 is a perspective view of a wheel, showing my new design; and,

FIG. 2 is a front view thereof.

1 Claim, 2 Drawing Sheets



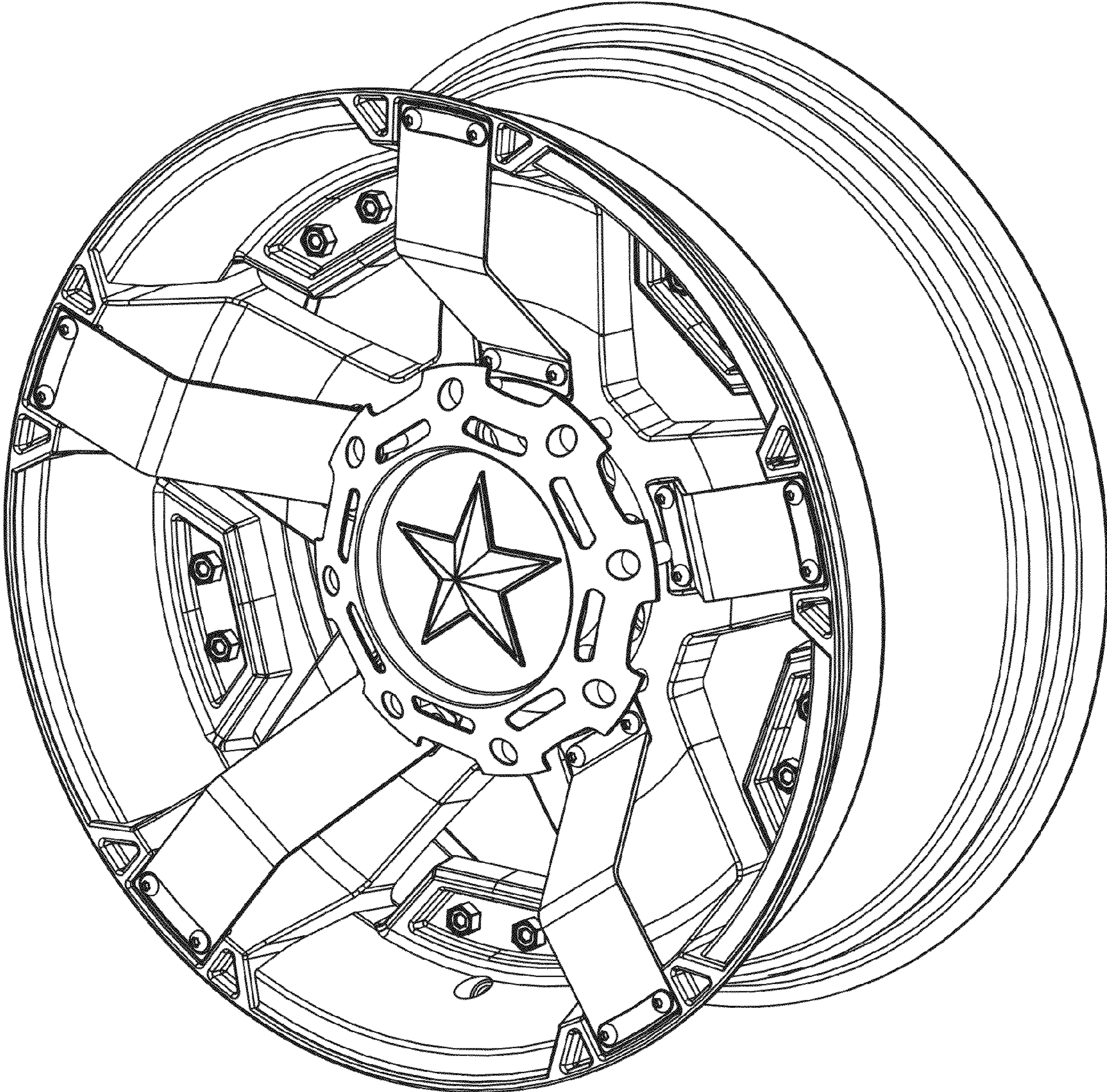


Fig. 1

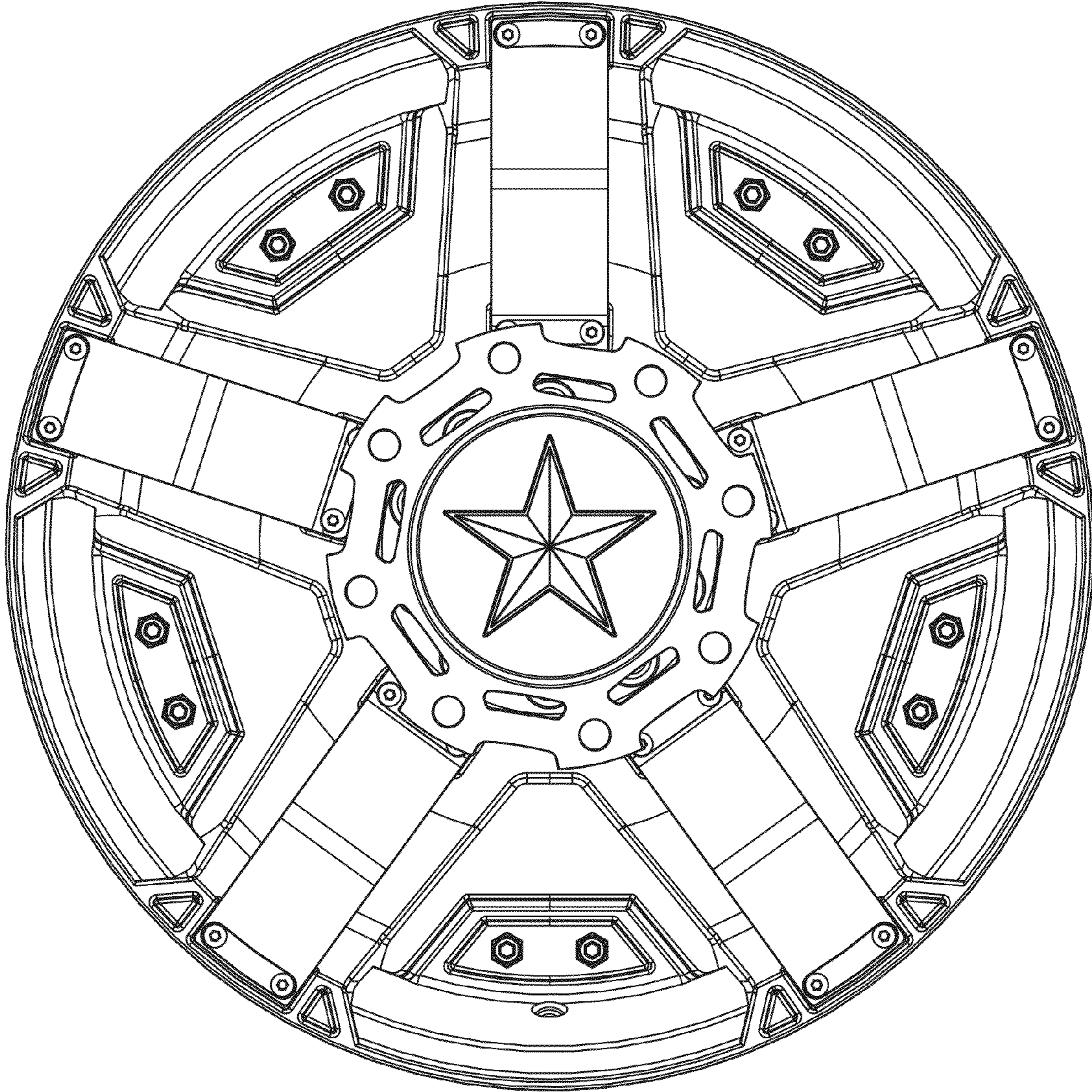


Fig. 2