



US00D701480S

(12) **United States Design Patent**  
**Kong**

(10) **Patent No.:** **US D701,480 S**  
(45) **Date of Patent:** **\*\* Mar. 25, 2014**

(54) **WHEEL**

(71) Applicant: **Wheel Pros, LLC**, Lakewood, CO (US)

(72) Inventor: **Yee Wan Kong**, Hong Kong (HK)

(73) Assignee: **Wheel Pros, LLC**, Greenwood Village, CO (US)

(\*\*) Term: **14 Years**

(21) Appl. No.: **29/447,899**

(22) Filed: **Mar. 7, 2013**

**Related U.S. Application Data**

(62) Division of application No. 29/435,797, filed on Oct. 29, 2012.

(51) **LOC (10) Cl.** ..... **12-16**

(52) **U.S. Cl.**  
USPC ..... **D12/209**

(58) **Field of Classification Search**  
USPC ..... D12/204-213; 301/37.101, 64.101, 65,  
301/64.201

See application file for complete search history.

(56) **References Cited**

U.S. PATENT DOCUMENTS

D480,346 S *	10/2003	Kataoka .....	D12/209
D639,223 S *	6/2011	Johnson .....	D12/209
D649,107 S *	11/2011	Hale, Jr. ....	D12/211
D670,222 S *	11/2012	Chung .....	D12/209
D675,971 S *	2/2013	Lee .....	D12/209
D678,156 S *	3/2013	Gotschke .....	D12/209
D680,047 S *	4/2013	Hale, Jr. ....	D12/209
D690,249 S *	9/2013	Finnie .....	D12/209
D691,543 S *	10/2013	Gordon .....	D12/209
D695,181 S *	12/2013	Kong .....	D12/209
D695,182 S *	12/2013	Chung .....	D12/209

\* cited by examiner

*Primary Examiner* — Stacia Cadmus

(74) *Attorney, Agent, or Firm* — Garcia-Zamor IP Law; Ruy M. Garcia-Zamor

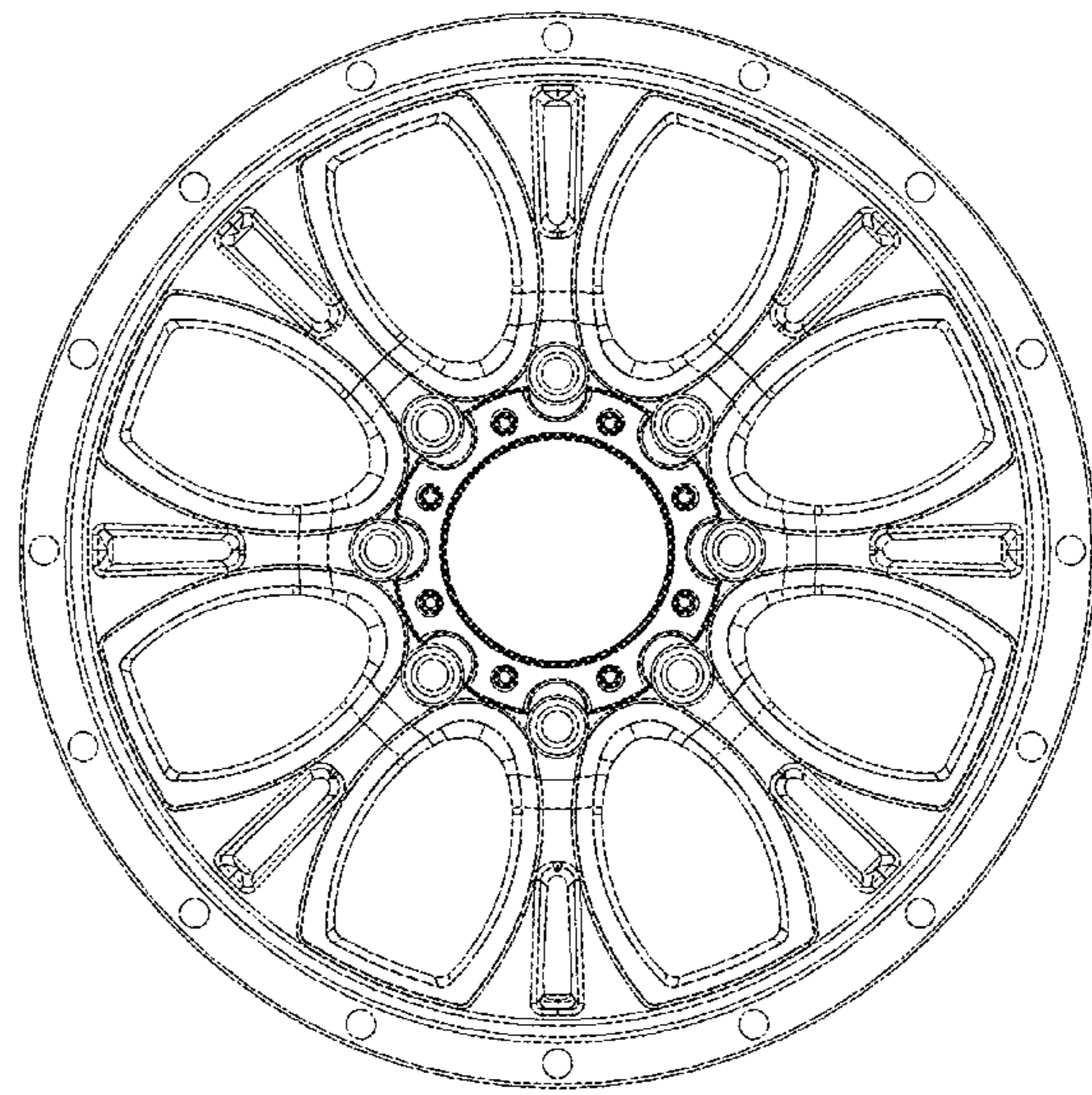
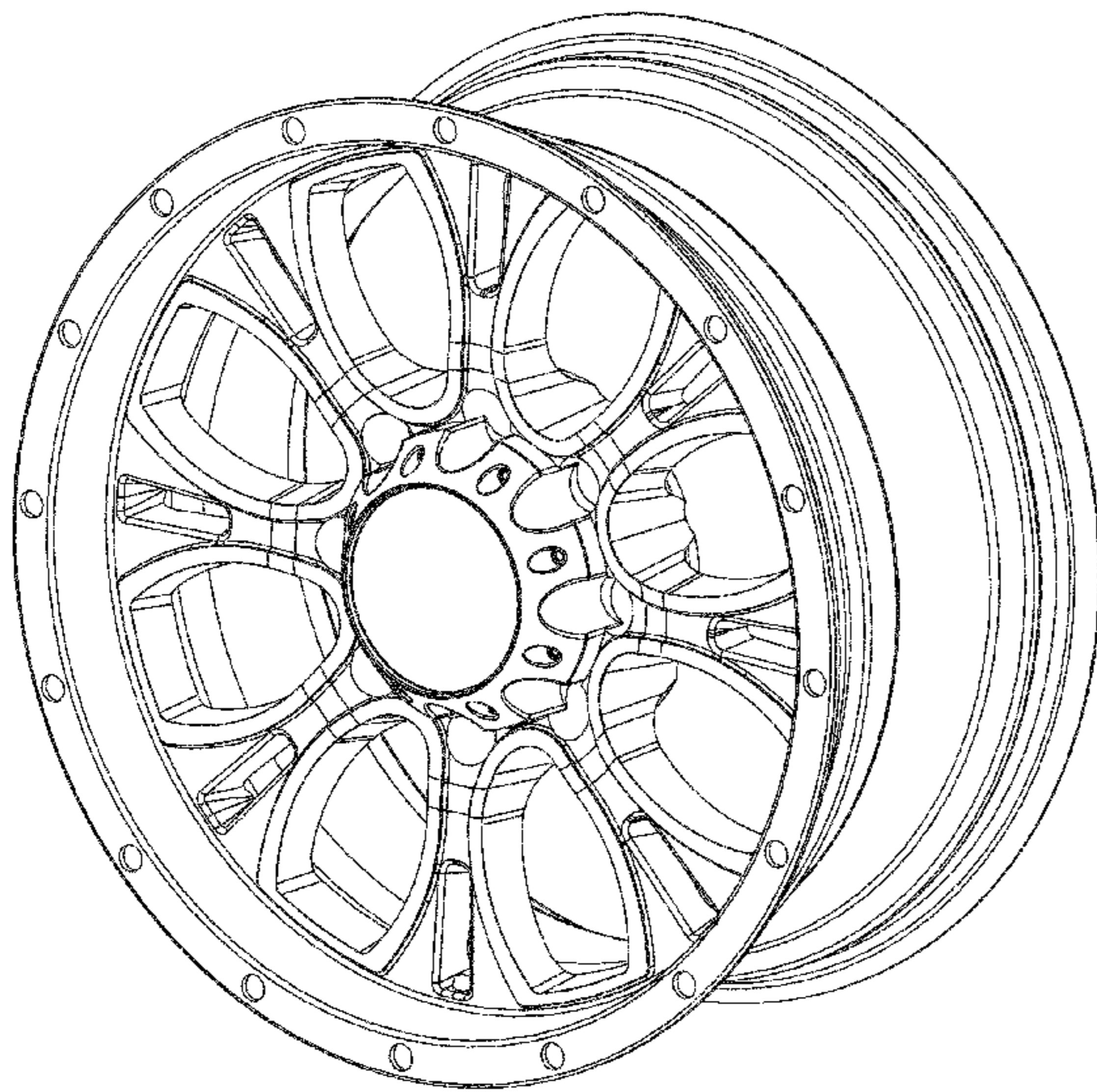
(57) **CLAIM**

The ornamental design for a wheel, as shown and described.

**DESCRIPTION**

FIG. 1 is a perspective view of a wheel, showing my new design; and, FIG. 2 is a front view thereof.

**1 Claim, 2 Drawing Sheets**



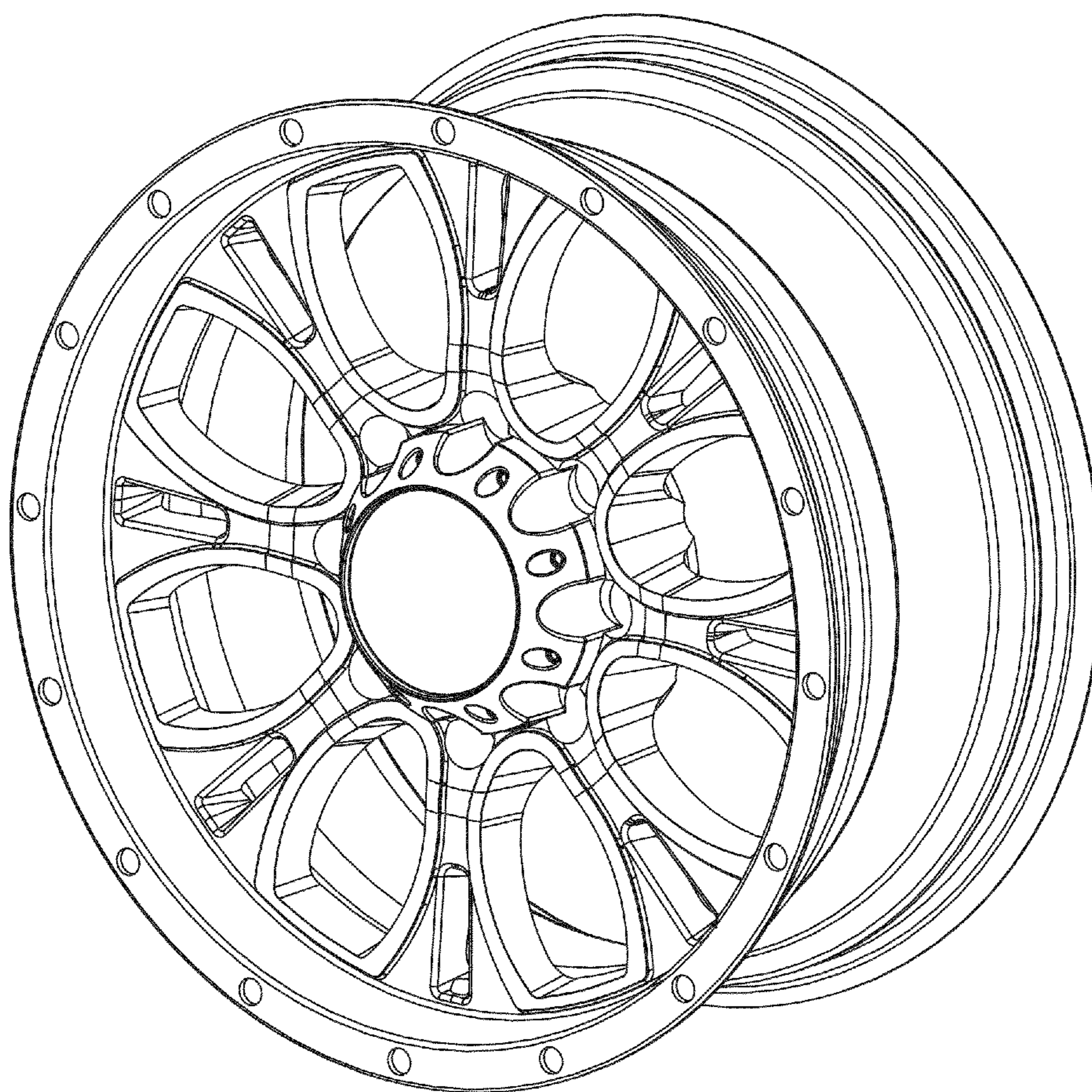


Fig. 1

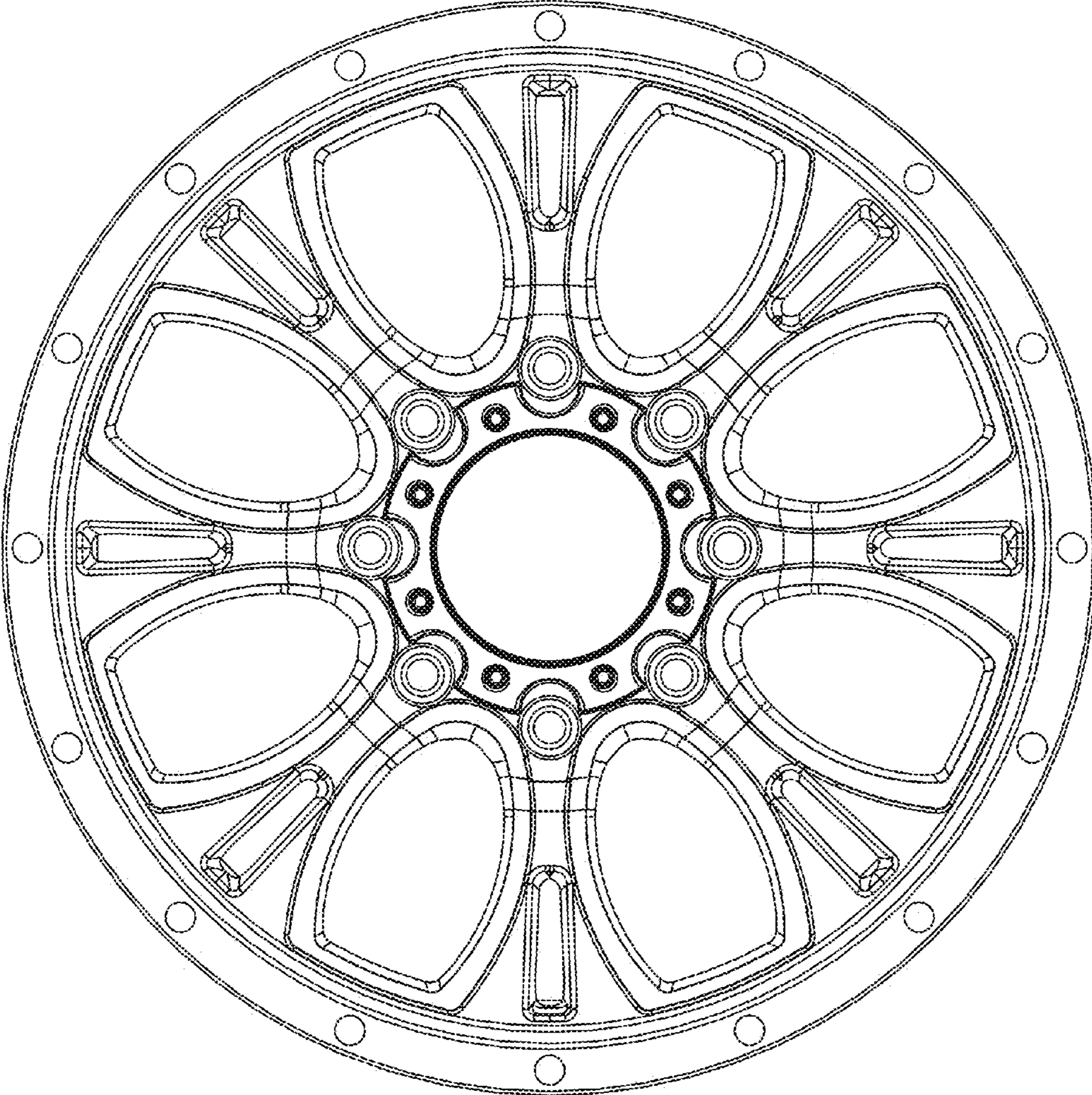


Fig. 2