

US00D701476S

(12) **United States Design Patent**  
**Kurisu et al.**

(10) **Patent No.:** **US D701,476 S**  
(45) **Date of Patent:** **\*\* Mar. 25, 2014**

- (54) **BUMPER FOR MOTOR VEHICLE**
  - (71) Applicant: **Mazda Motor Corporation**, Hiroshima (JP)
  - (72) Inventors: **Kunihiko Kurisu**, Hiroshima (JP);  
**Tomoyuki Suzuki**, Hiroshima (JP);  
**Ryuji Kumagai**, Hiroshima (JP)
  - (73) Assignee: **Mazda Motor Corporation**, Hiroshima (JP)
  - (\*\*) Term: **14 Years**
  - (21) Appl. No.: **29/433,140**
  - (22) Filed: **Sep. 26, 2012**
  - (51) **LOC (10) Cl.** ..... **12-16**
  - (52) **U.S. Cl.**  
USPC ..... **D12/169**
  - (58) **Field of Classification Search**  
USPC ..... D12/169, 196, 171, 216, 163, 86,  
D12/90-92; 293/102, 113, 115, 117, 120;  
296/180.1, 180.2
- See application file for complete search history.

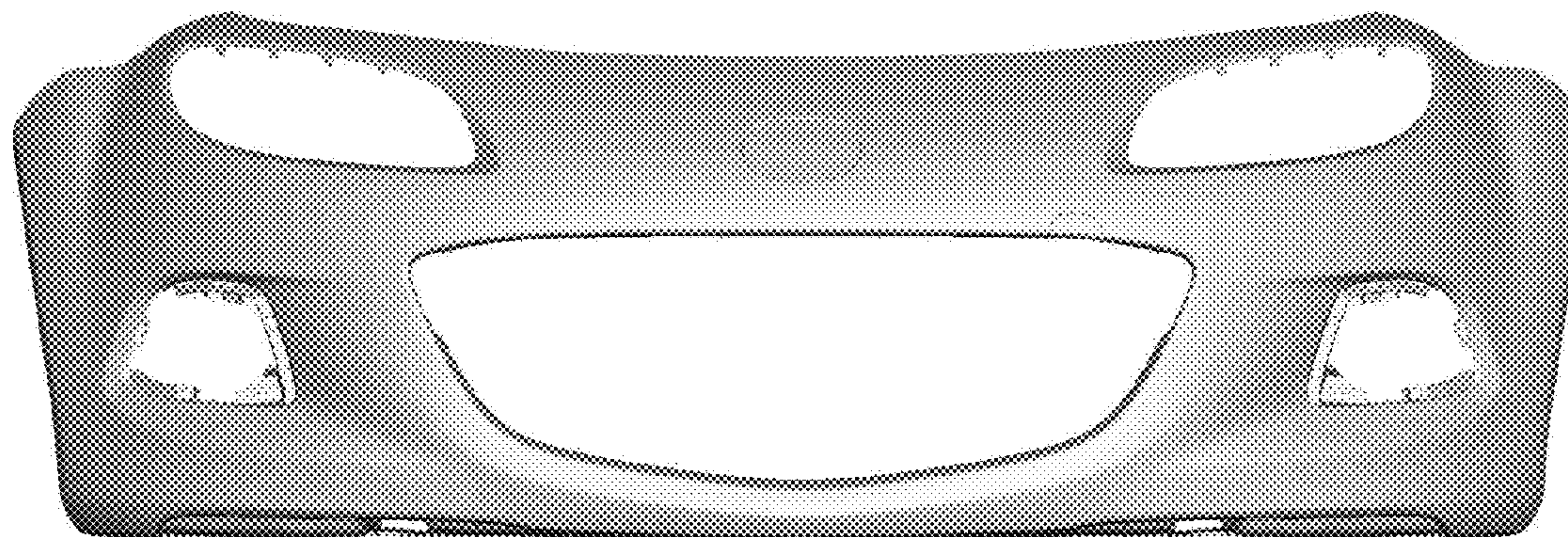
- (56) **References Cited**  
U.S. PATENT DOCUMENTS
  - D559,743 S 1/2008 Nakamuta et al.
  - D596,999 S 7/2009 Nakamuta et al.
  - D677,200 S \* 3/2013 Hamilton et al. .... D12/169
  - D680,922 S \* 4/2013 Jara ..... D12/169
  - D684,099 S \* 6/2013 McCabe et al. .... D12/169
- \* cited by examiner
- Primary Examiner* — Melody Brown  
(74) *Attorney, Agent, or Firm* — Studebaker & Brackett PC

(57) **CLAIM**  
The ornamental design for a bumper for motor vehicle, as shown and described.

**DESCRIPTION**

FIG. 1 is a perspective view of a bumper for motor vehicle; FIG. 2 is a front view thereof; FIG. 3 is a rear view thereof; FIG. 4 is a left side view thereof; FIG. 5 is a right side view thereof; FIG. 6 is a top view thereof; and, FIG. 7 is a bottom view thereof.

**1 Claim, 4 Drawing Sheets**



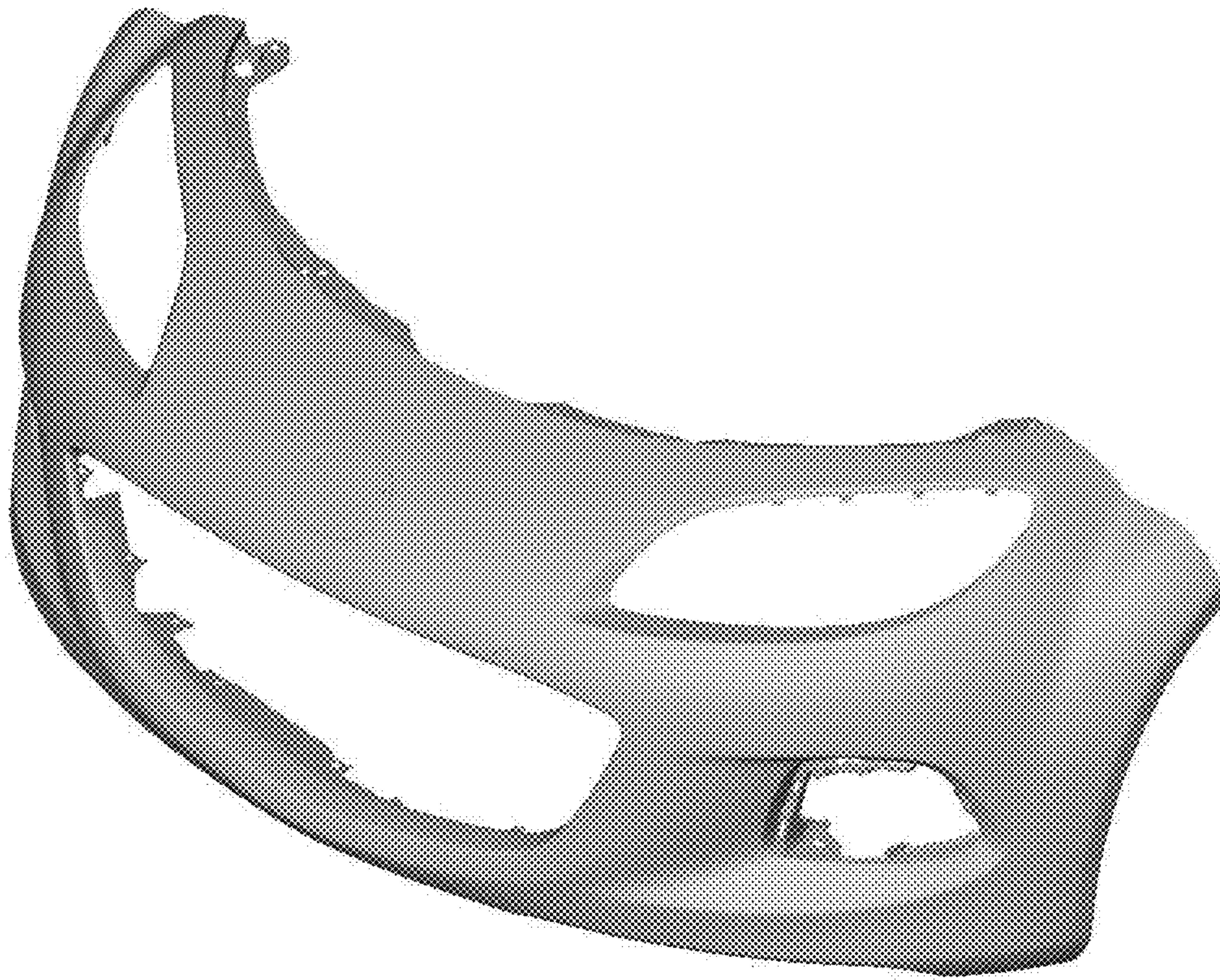


FIG.1



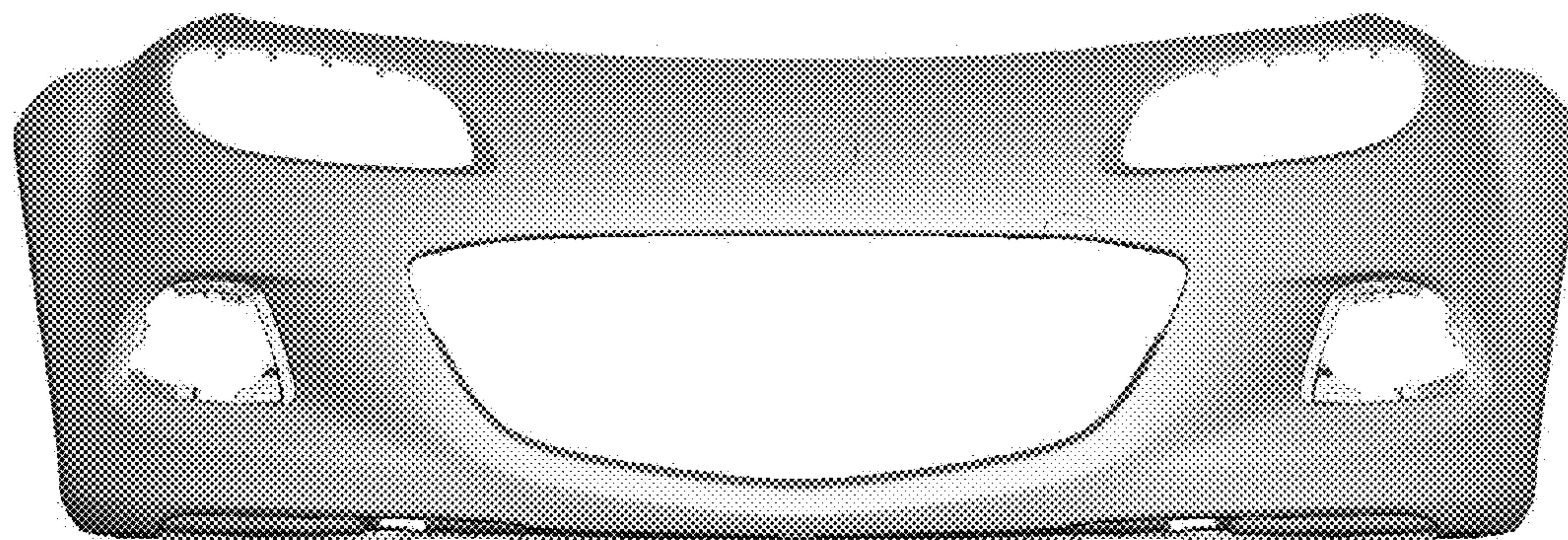


FIG. 2

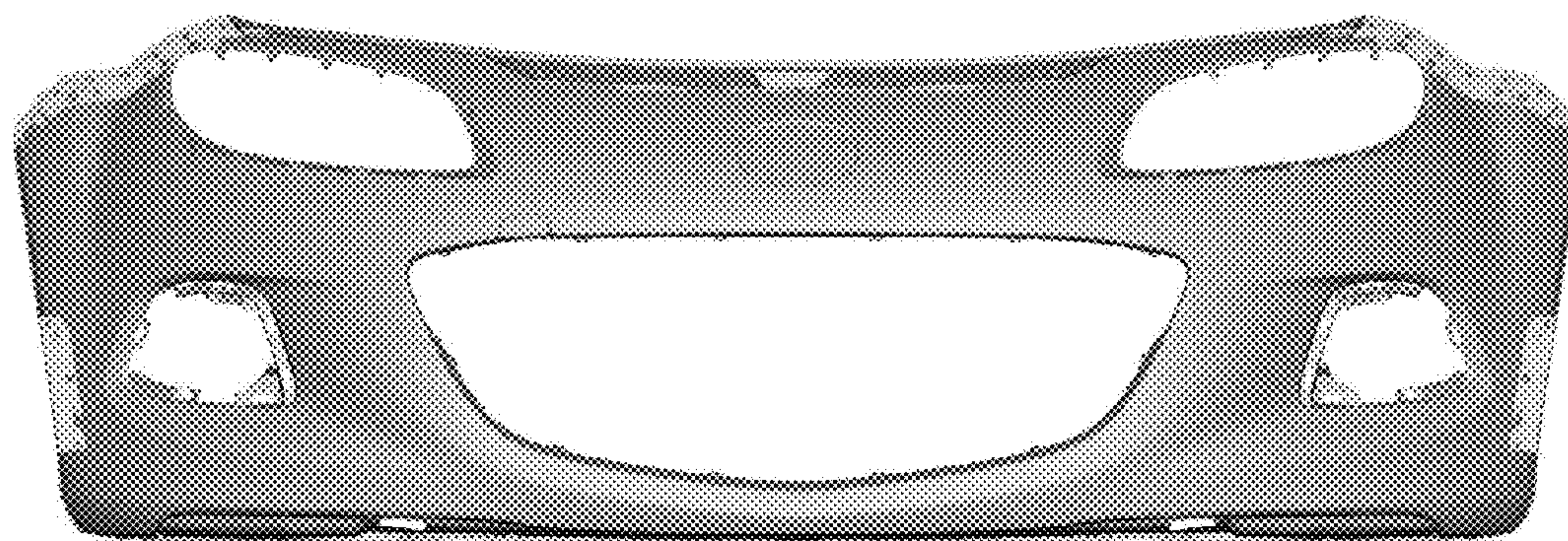


FIG. 3

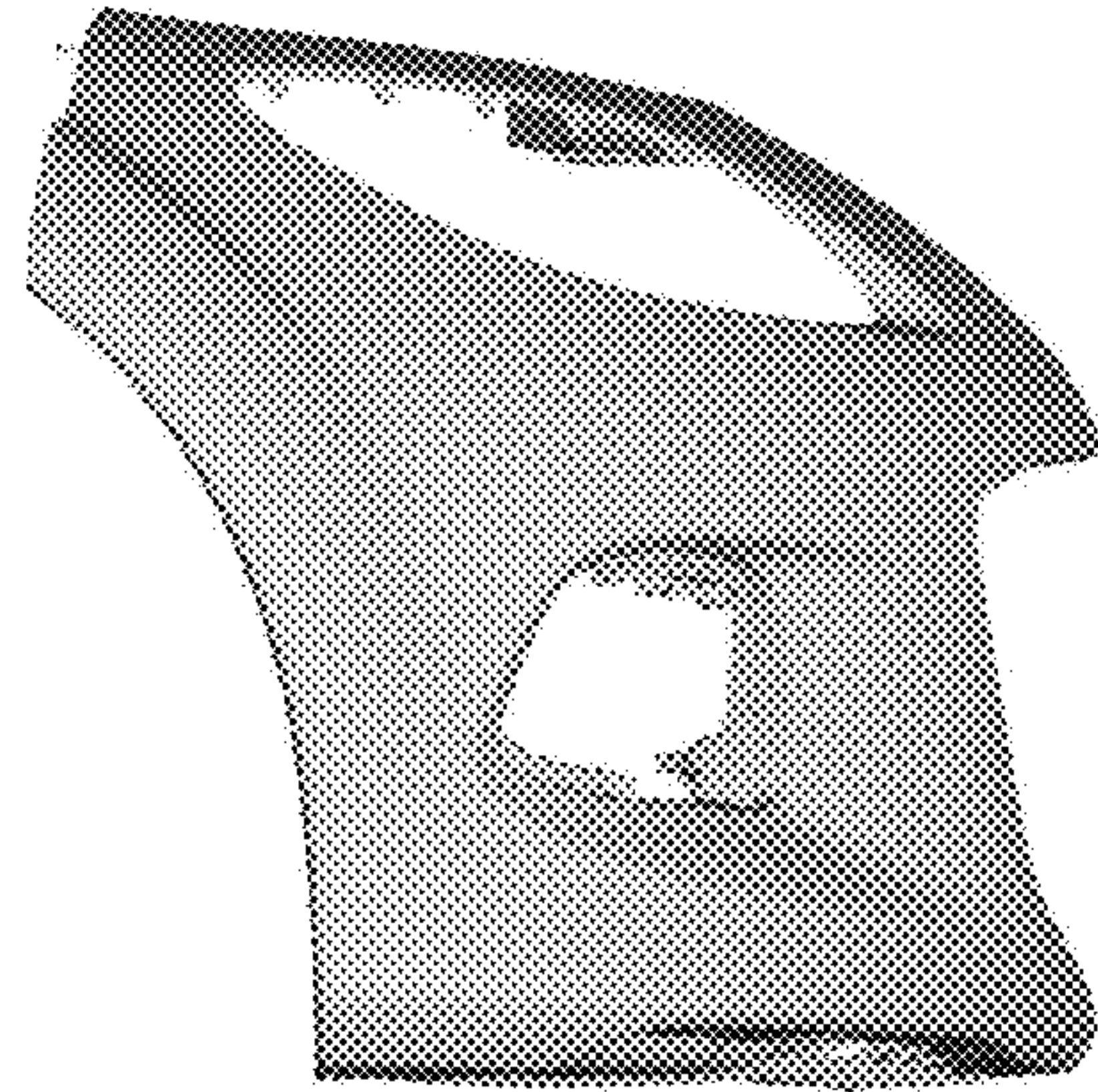


FIG. 4

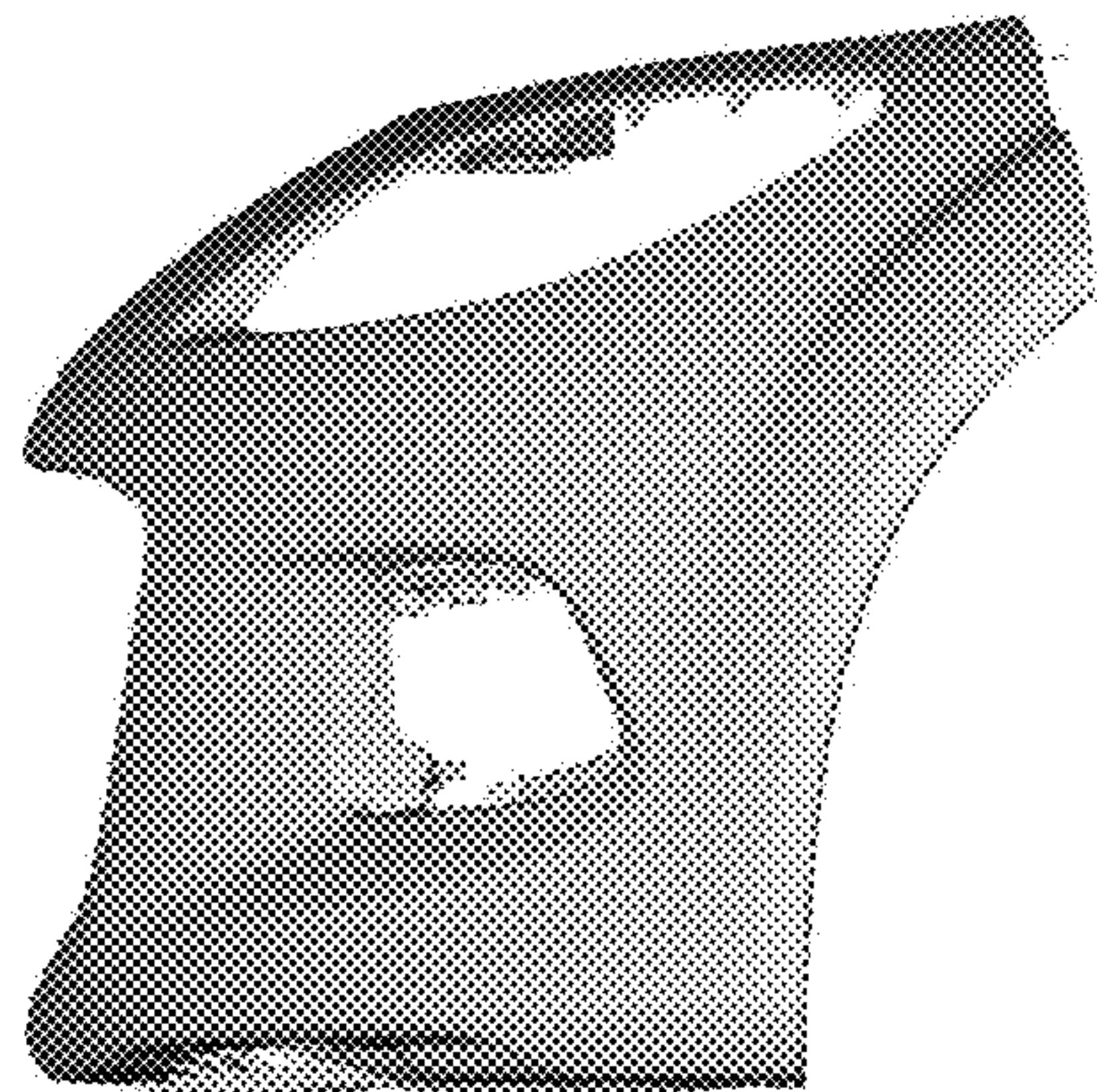


FIG. 5



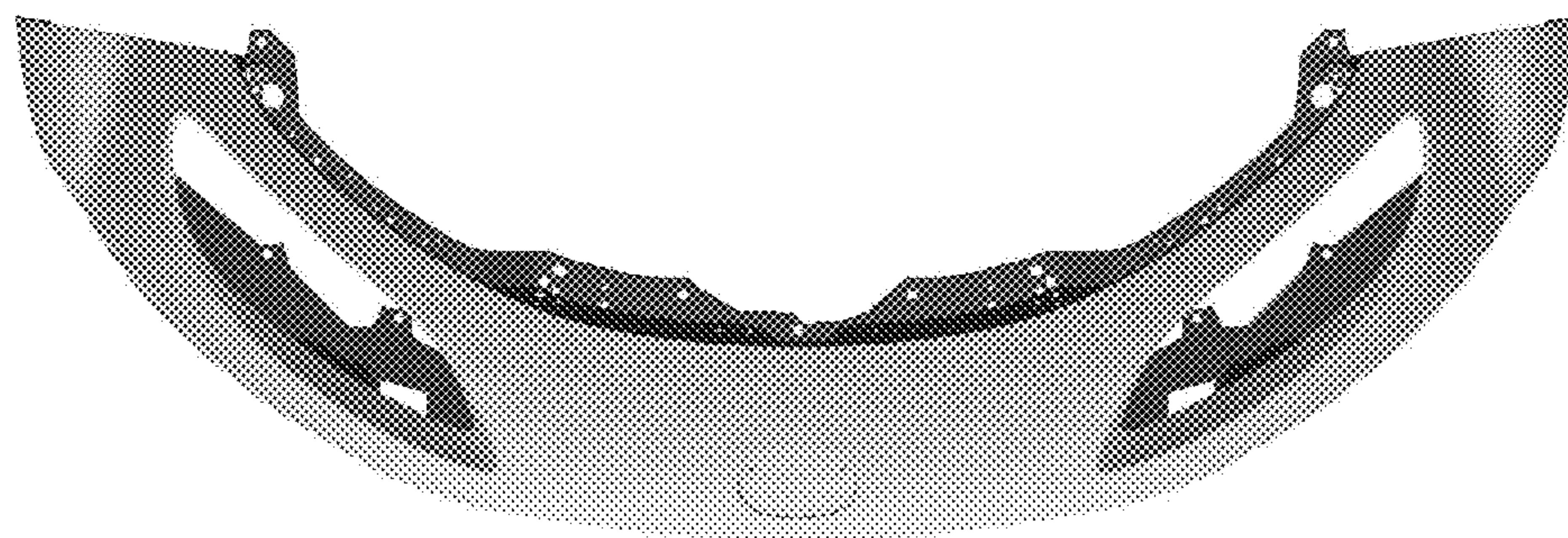


FIG. 6

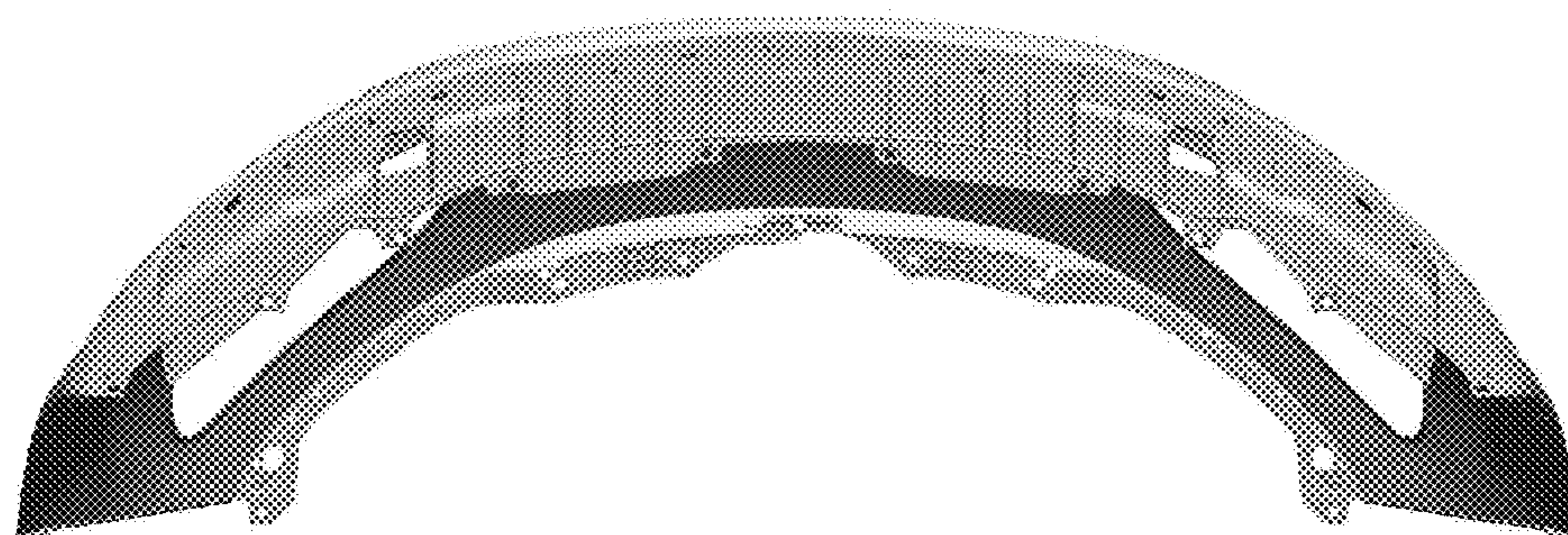


FIG. 7