



US00D701474S

(12) **United States Design Patent**
Fetherston et al.

(10) **Patent No.:** **US D701,474 S**
(45) **Date of Patent:** **** Mar. 25, 2014**

(54) **FRONT PORTION OF A VEHICLE, TOY,
AND/OR REPLICAS THEREOF**

(56) **References Cited**

U.S. PATENT DOCUMENTS

(71) Applicant: **Daimler AG**, Stuttgart (DE)
(72) Inventors: **Mark Fetherston**, Stuttgart (DE);
Hans-Dieter Futschik, Gechingen (DE);
Robert Lesnik, Leonberg (DE); **Gorden
Wagener**, Gaeufelden (DE)

D634,678	S	*	3/2011	Futschik et al.	D12/164
D635,898	S	*	4/2011	Baur et al.	D12/164
D658,552	S	*	5/2012	Fetherston et al.	D12/164
D664,078	S	*	7/2012	Futschik et al.	D12/164
D671,033	S		11/2012	Fetherston et al.		
D671,044	S		11/2012	Fetherston et al.		
D680,035	S	*	4/2013	Fetherston et al.	D12/164
D688,173	S	*	8/2013	Fetherston et al.	D12/164
D689,415	S	*	9/2013	Frei et al.	D12/164

(73) Assignee: **Daimler AG**, Stuttgart (DE)

* cited by examiner

(**) Term: **14 Years**

Primary Examiner — Melody Brown

(21) Appl. No.: **29/446,300**

(74) *Attorney, Agent, or Firm* — Crowell & Moring LLP

(22) Filed: **Feb. 22, 2013**

(57) **CLAIM**

The ornamental design for a front portion of a vehicle, toy,
and/or replicas thereof, as shown and described.

(30) **Foreign Application Priority Data**

DESCRIPTION

Aug. 24, 2012 (EM) 001340962-0002

This application contains subject matter related to the follow-
ing co-pending U.S. design patent application:

(51) **LOC (10) Cl.** **12-16**

Application Ser. No. 29/446,299, filed herewith and entitled
“Vehicle, Toy, and/or Replicas Thereof”.

(52) **U.S. Cl.**
USPC **D12/164**

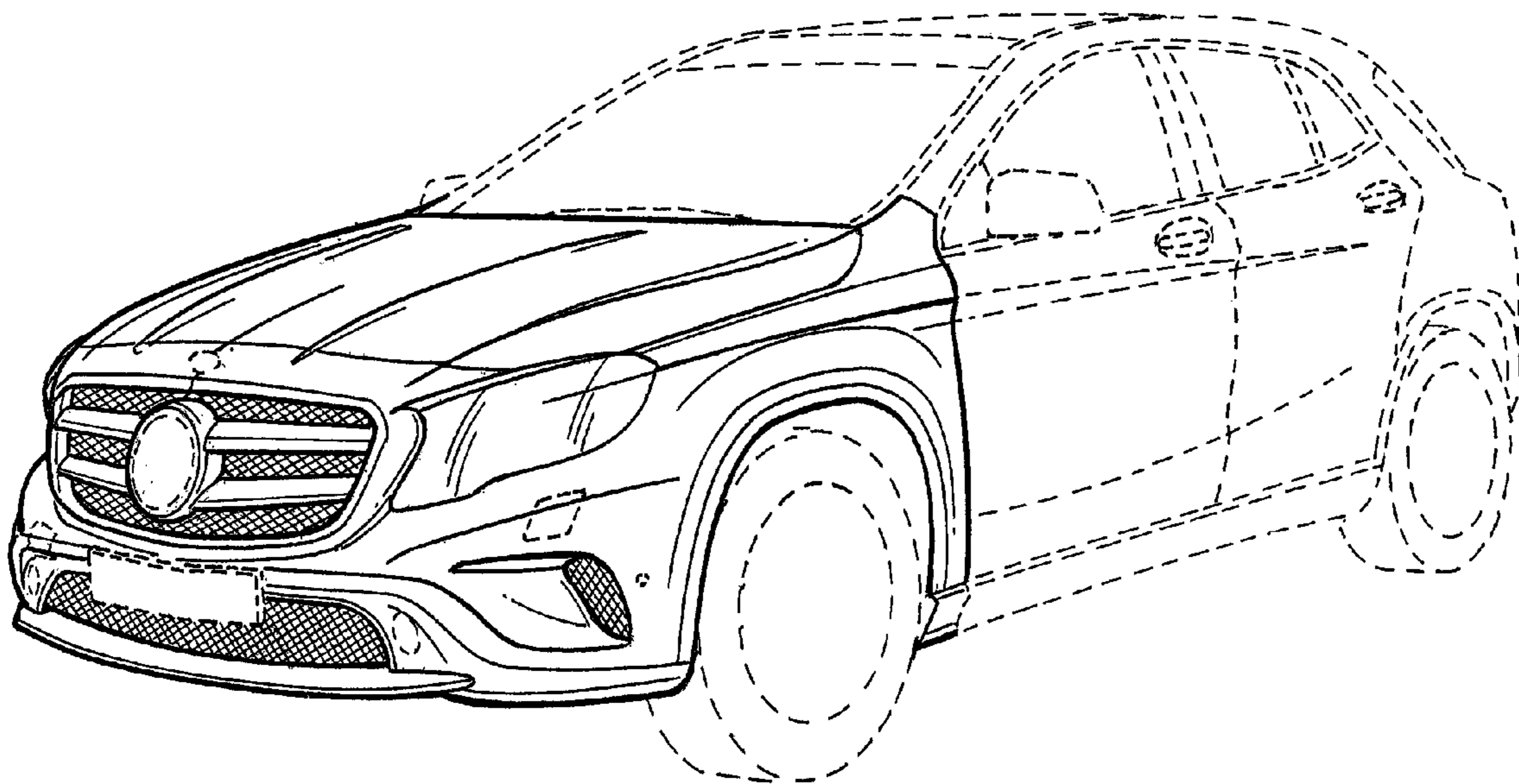
FIG. 1 is a left, front perspective view of a front portion of a
vehicle, toy, and/or replicas thereof according to the design;

(58) **Field of Classification Search**
USPC D12/86, 90–92, 164, 196; D21/424,
D21/433, 434; 296/181.1, 181.5
See application file for complete search history.

FIG. 2 is a left side view thereof;
FIG. 3 is right side view thereof; and,
FIG. 4 is a front view thereof.

The broken lines are for illustrative purposes only and form
no part of the claimed design.

1 Claim, 4 Drawing Sheets



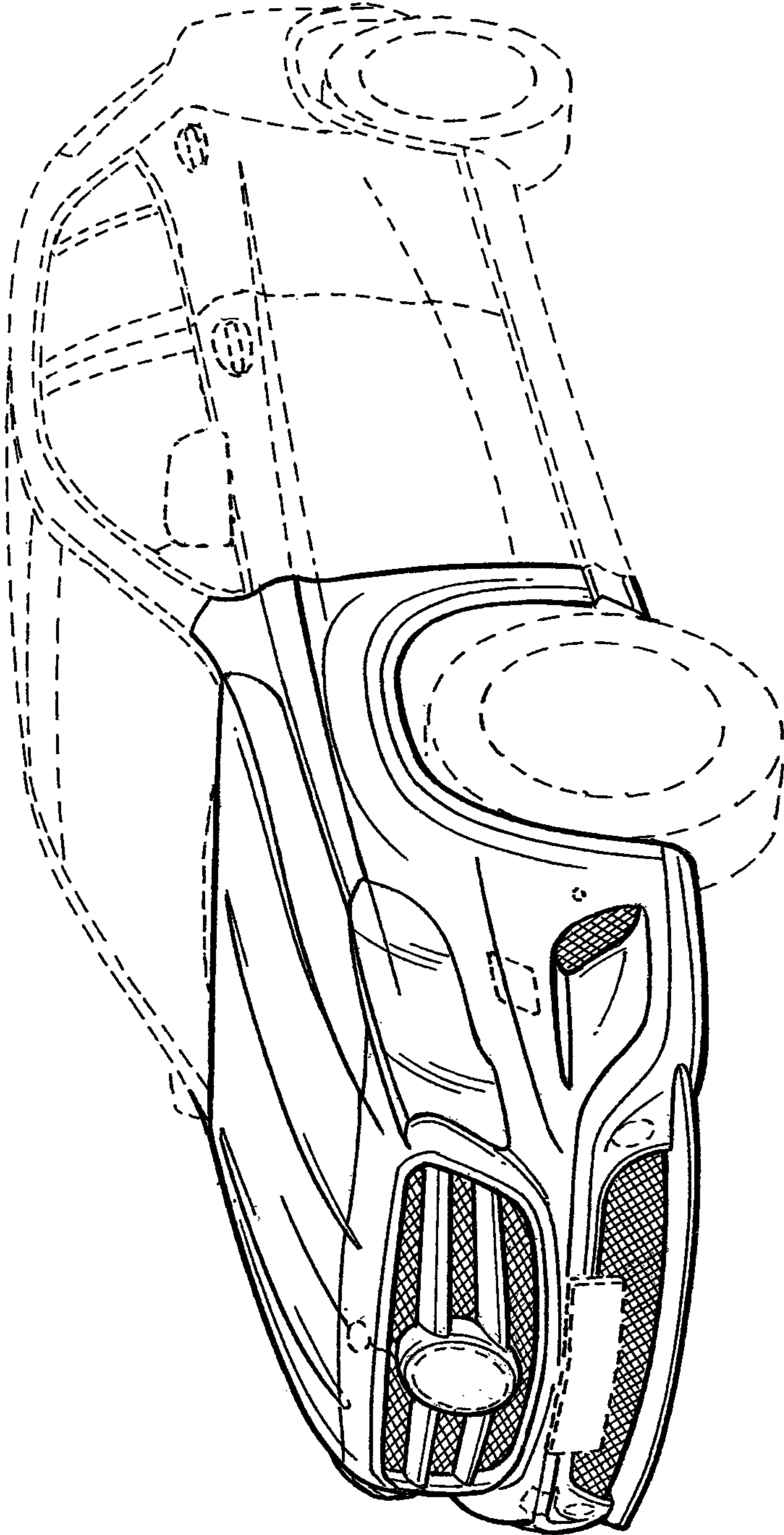


FIG. 1

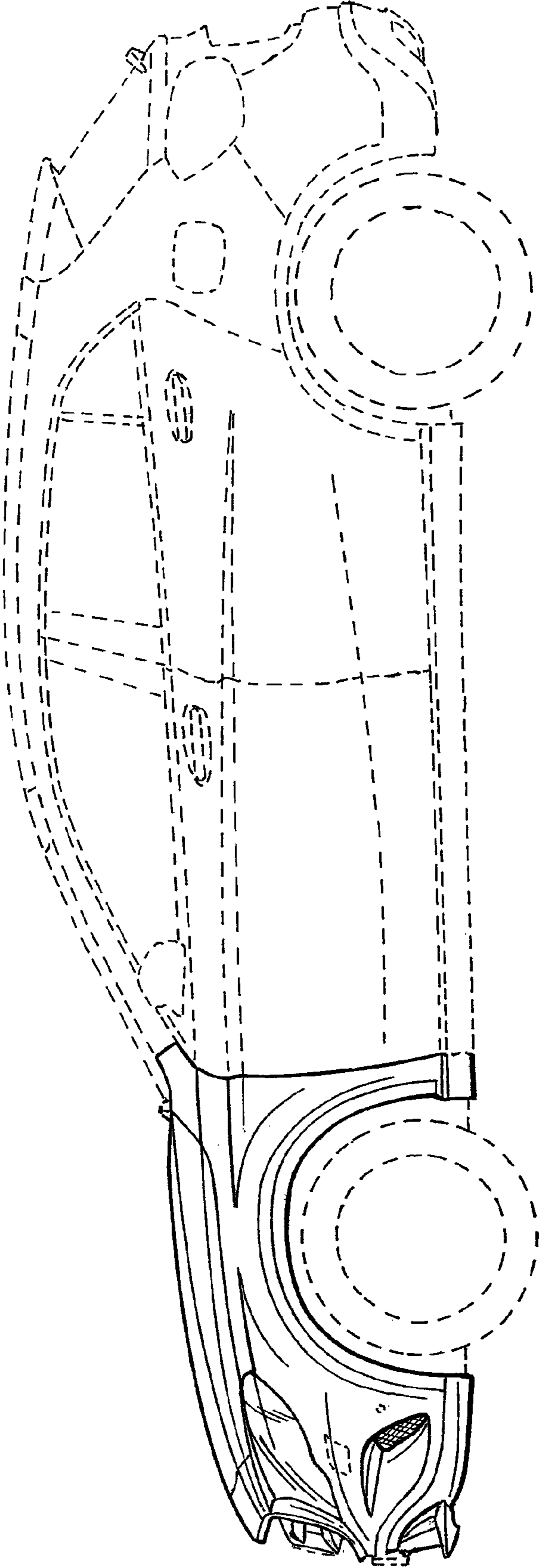


FIG. 2

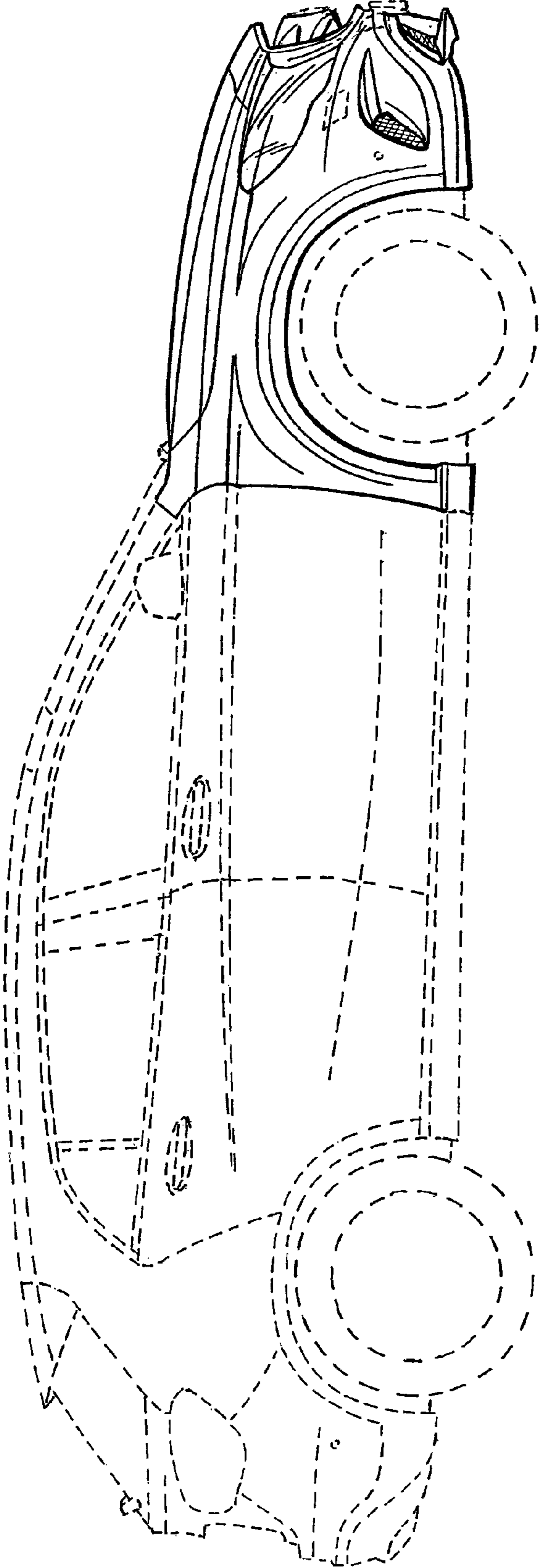


FIG. 3

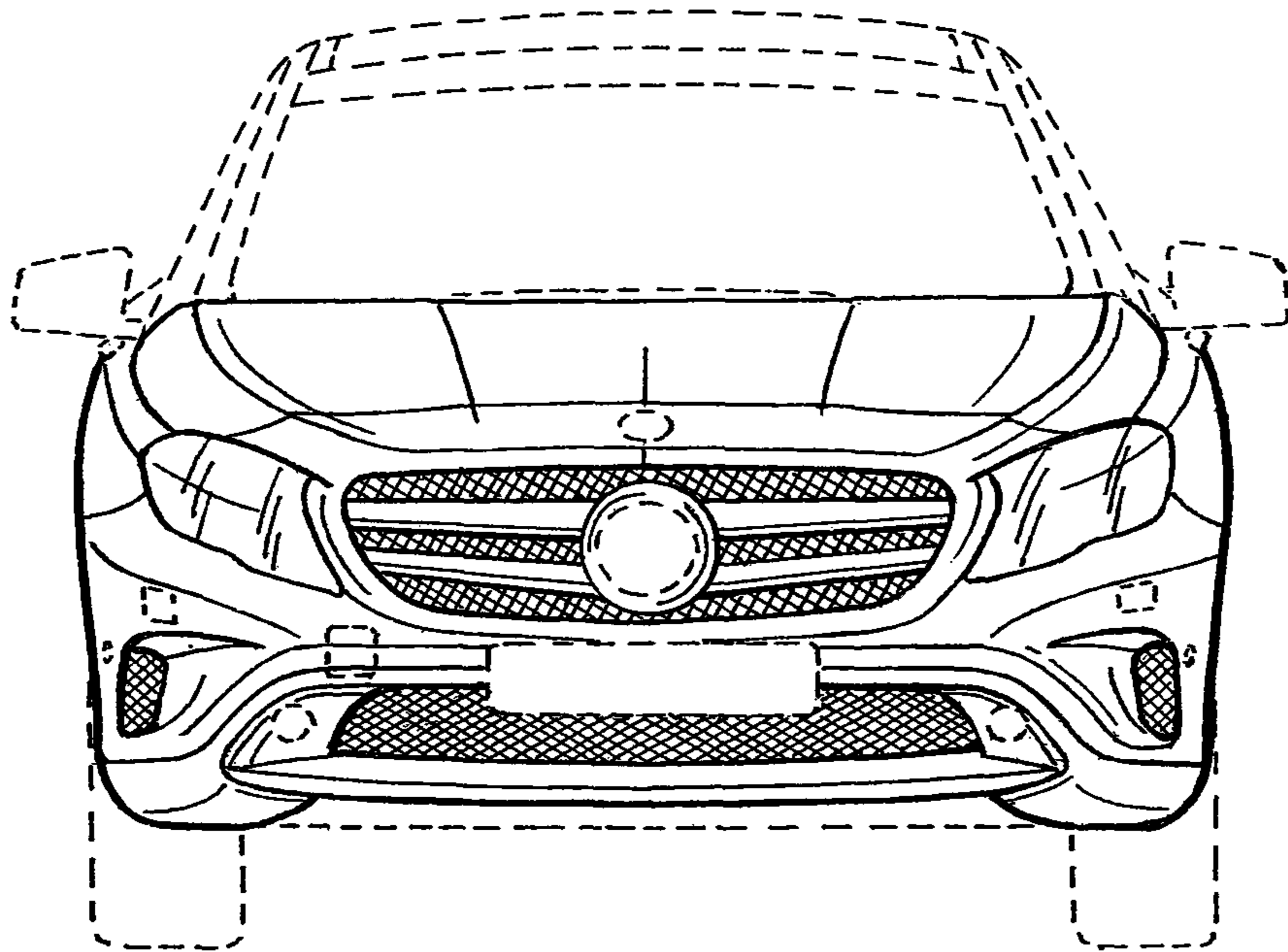


FIG. 4