



US00D701473S

(12) **United States Design Patent**
Palmer

(10) **Patent No.:** **US D701,473 S**
(45) **Date of Patent:** **** Mar. 25, 2014**

(54) **VEHICLE STROLLER**

(71) Applicant: **Steven W. Palmer**, Elmira, MI (US)

(72) Inventor: **Steven W. Palmer**, Elmira, MI (US)

(**) Term: **14 Years**

(21) Appl. No.: **29/453,622**

(22) Filed: **May 1, 2013**

Related U.S. Application Data

(63) Continuation-in-part of application No. 13/849,209, filed on Mar. 22, 2013.

(51) **LOC (10) Cl.** **12-12**

(52) **U.S. Cl.**
USPC **D12/129**

(58) **Field of Classification Search**
USPC D12/128-133, 86, 87, 91; 280/62,
280/647-650, 29, 200, 47.38, 250.1, 259,
280/642, 658, 304.1; 128/99.1, 100.1;
D21/430, 433

See application file for complete search history.

(56) **References Cited**

U.S. PATENT DOCUMENTS

D305,011 S *	12/1989	Pipon	D12/129
D332,592 S *	1/1993	O'Dea et al.	D12/129
D364,132 S *	11/1995	Badon et al.	D12/129
D365,311 S *	12/1995	Mosetich et al.	D12/129
D365,312 S *	12/1995	Mosetich et al.	D12/129
D365,313 S *	12/1995	Mosetich et al.	D12/129
D369,993 S *	5/1996	Gonzales	D12/129
D388,027 S *	12/1997	Polak et al.	D12/129
D388,367 S *	12/1997	Polak et al.	D12/129
D389,438 S *	1/1998	Guichard et al.	D12/98

D391,520 S *	3/1998	Laster	D12/91
D394,831 S *	6/1998	Polak et al.	D12/129
D401,186 S *	11/1998	Abbott et al.	D12/91
D410,502 S *	6/1999	Harrod	D21/433
D411,490 S *	6/1999	Pierce	D12/129
D507,766 S *	7/2005	McMahan et al.	D12/91
D564,040 S *	3/2008	Kurth et al.	D21/433

* cited by examiner

Primary Examiner — Ian Simmons

Assistant Examiner — Charles Hanson

(74) *Attorney, Agent, or Firm* — Northern Michigan Patent Law, P.C.

(57) **CLAIM**

I claim the ornamental design for a vehicle stroller, as shown and described.

DESCRIPTION

FIG. 1 is a perspective view of a vehicle stroller embodying the new design, taken from the right side of the vehicle stroller.

FIG. 2 is a front elevation view of the vehicle stroller of FIG. 1.

FIG. 3 is a side elevation view of the vehicle stroller of FIG. 1, taken from the right side.

FIG. 4 is a rear elevation view of the vehicle stroller of FIG. 1.

FIG. 5 is a side elevation view of the vehicle stroller of FIG. 1, taken from the left side.

FIG. 6 is a top plan view of the vehicle stroller of FIG. 1; and, FIG. 7 is a bottom plan view of the vehicle stroller of FIG. 1. The structure illustrated in broken lines is environmental in nature and forms no part of the claimed design.

1 Claim, 7 Drawing Sheets

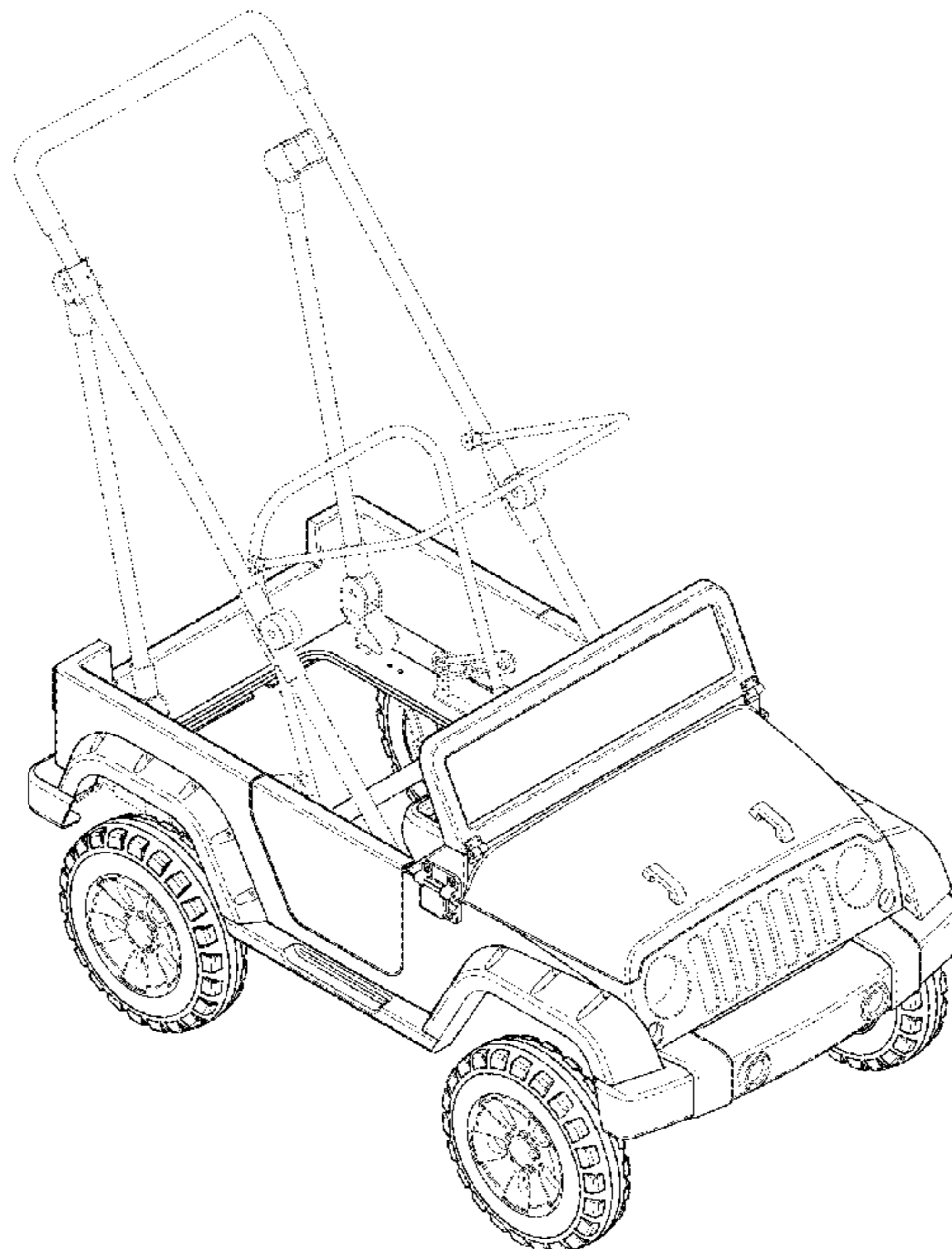
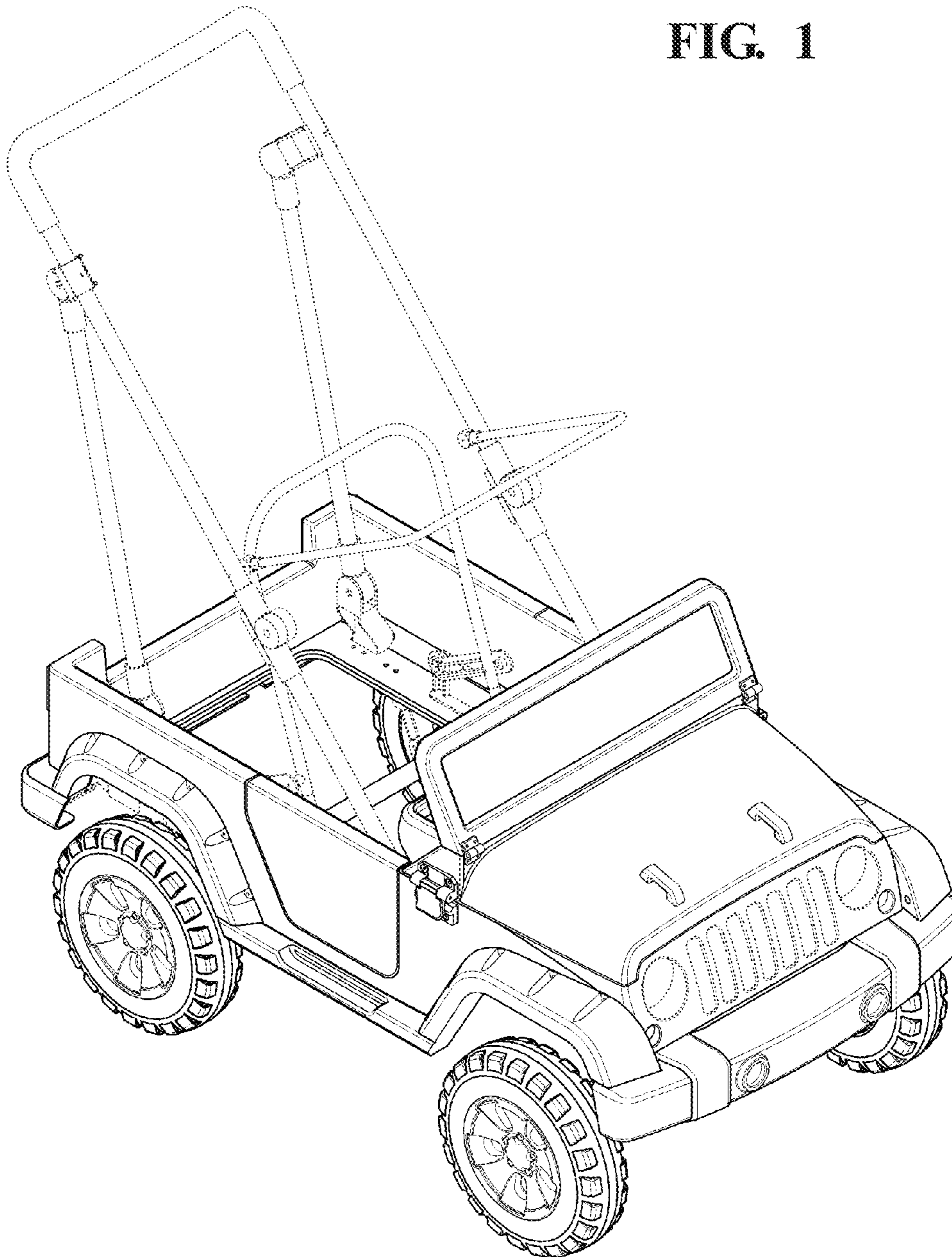


FIG. 1



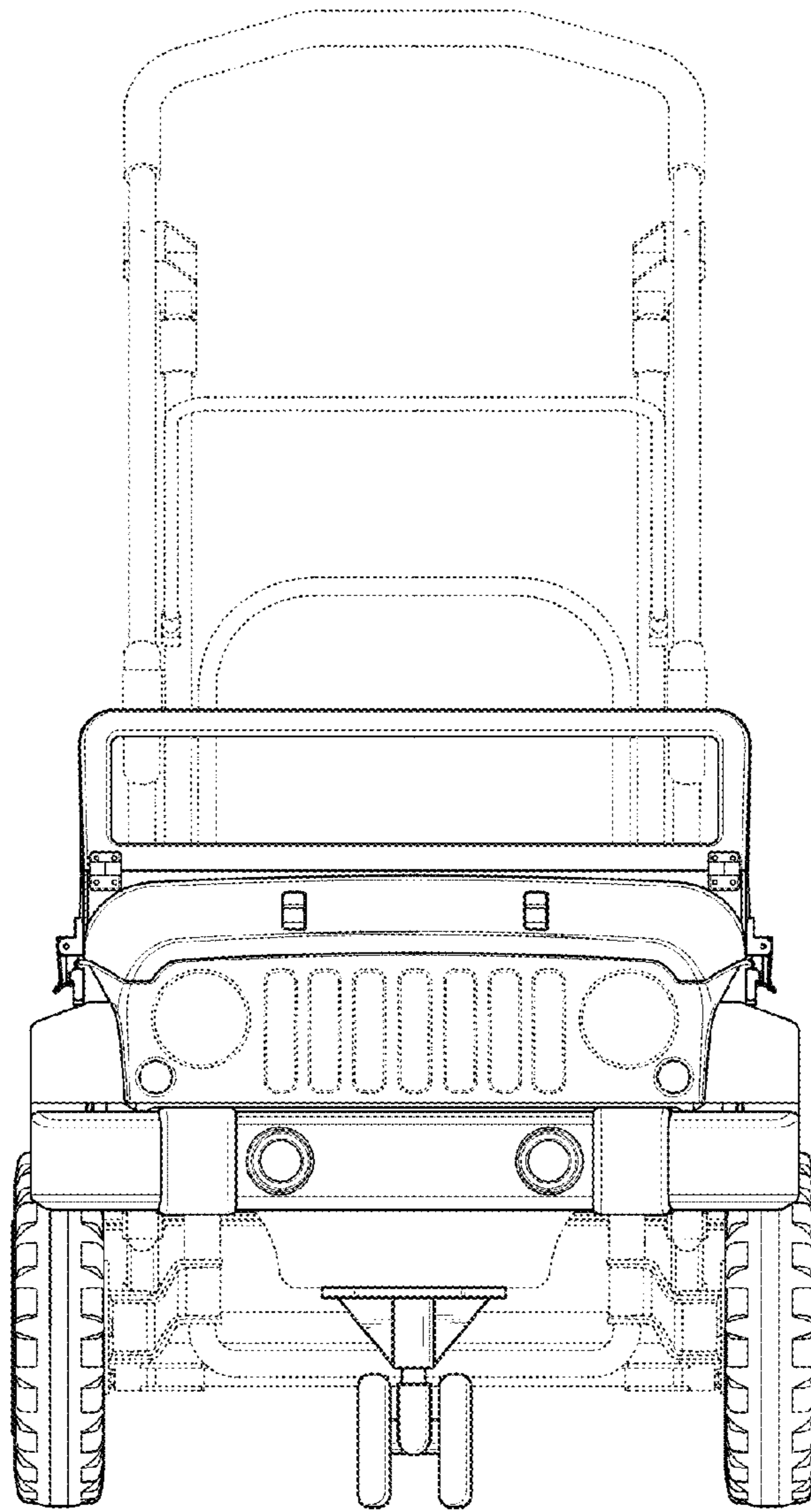


FIG. 2

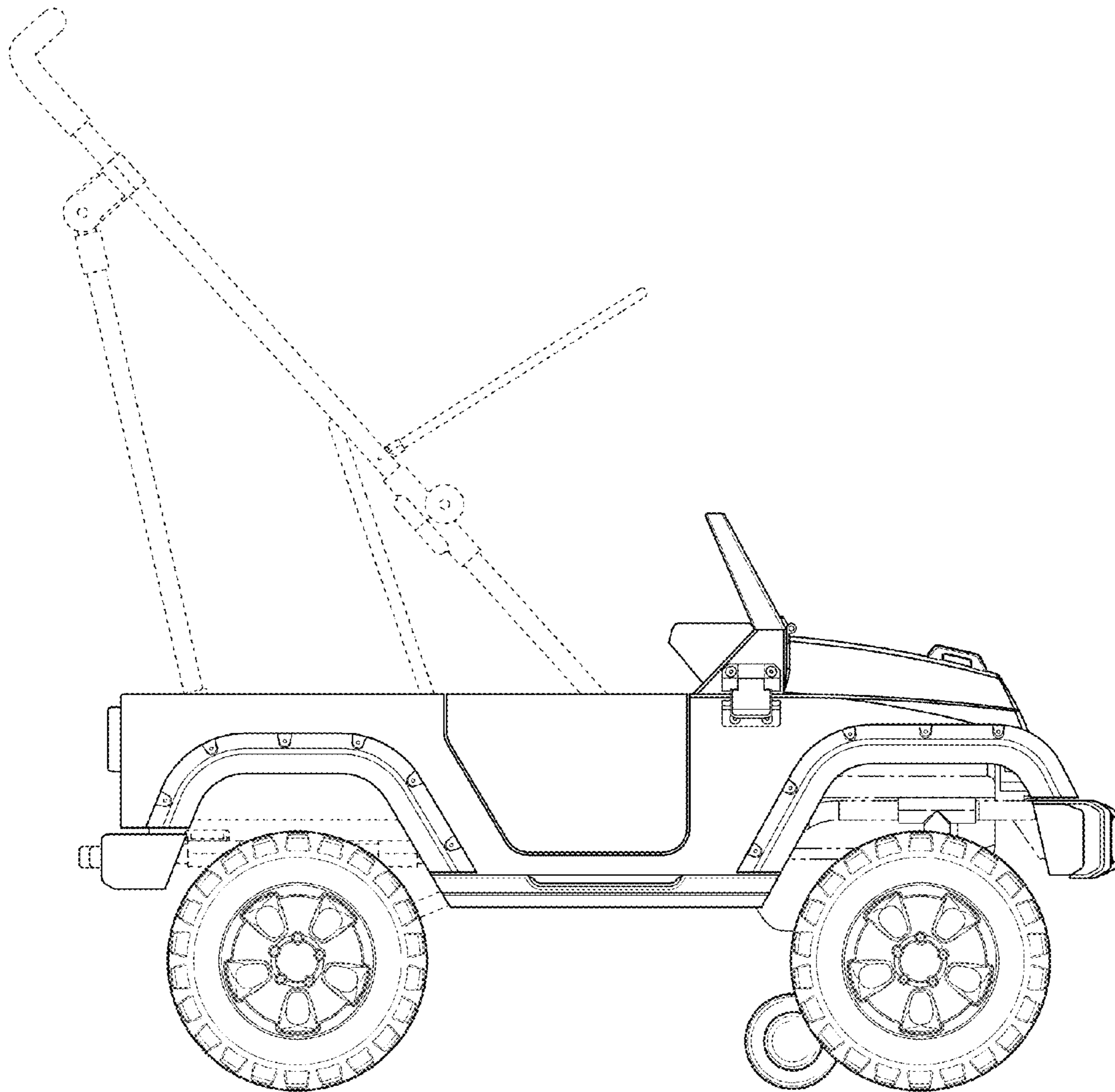


FIG. 3

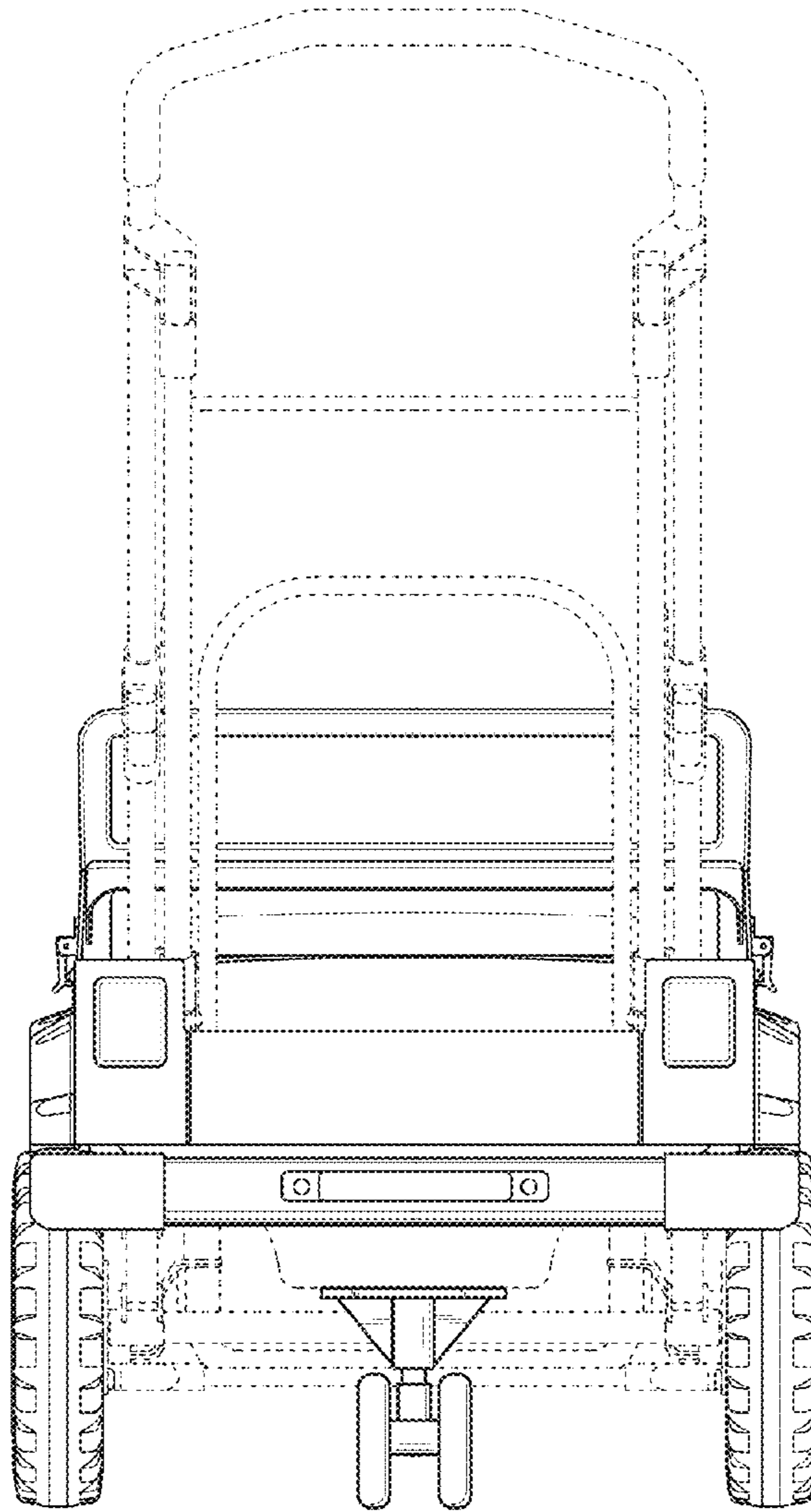


FIG. 4

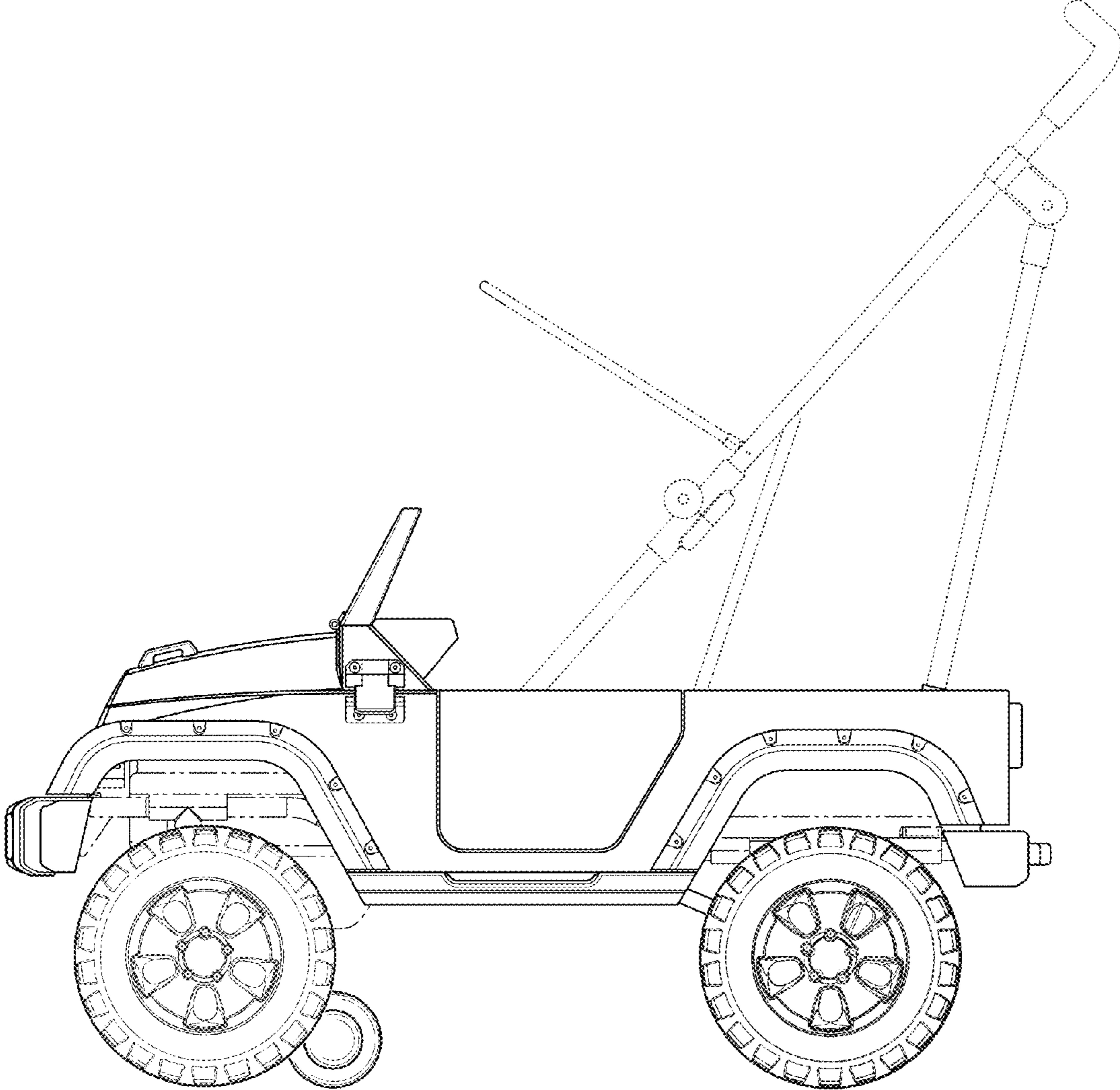


FIG. 5

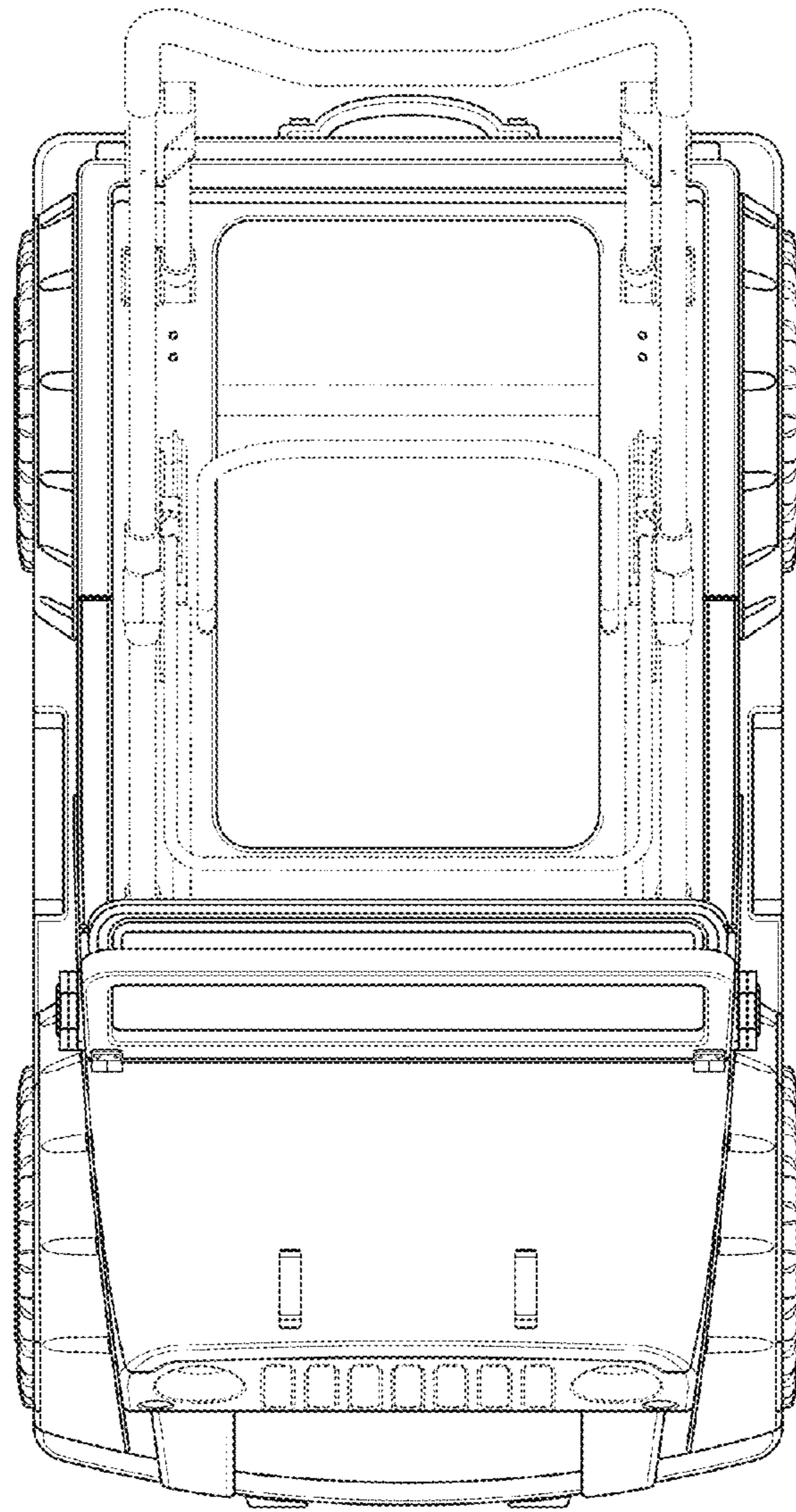


FIG. 6

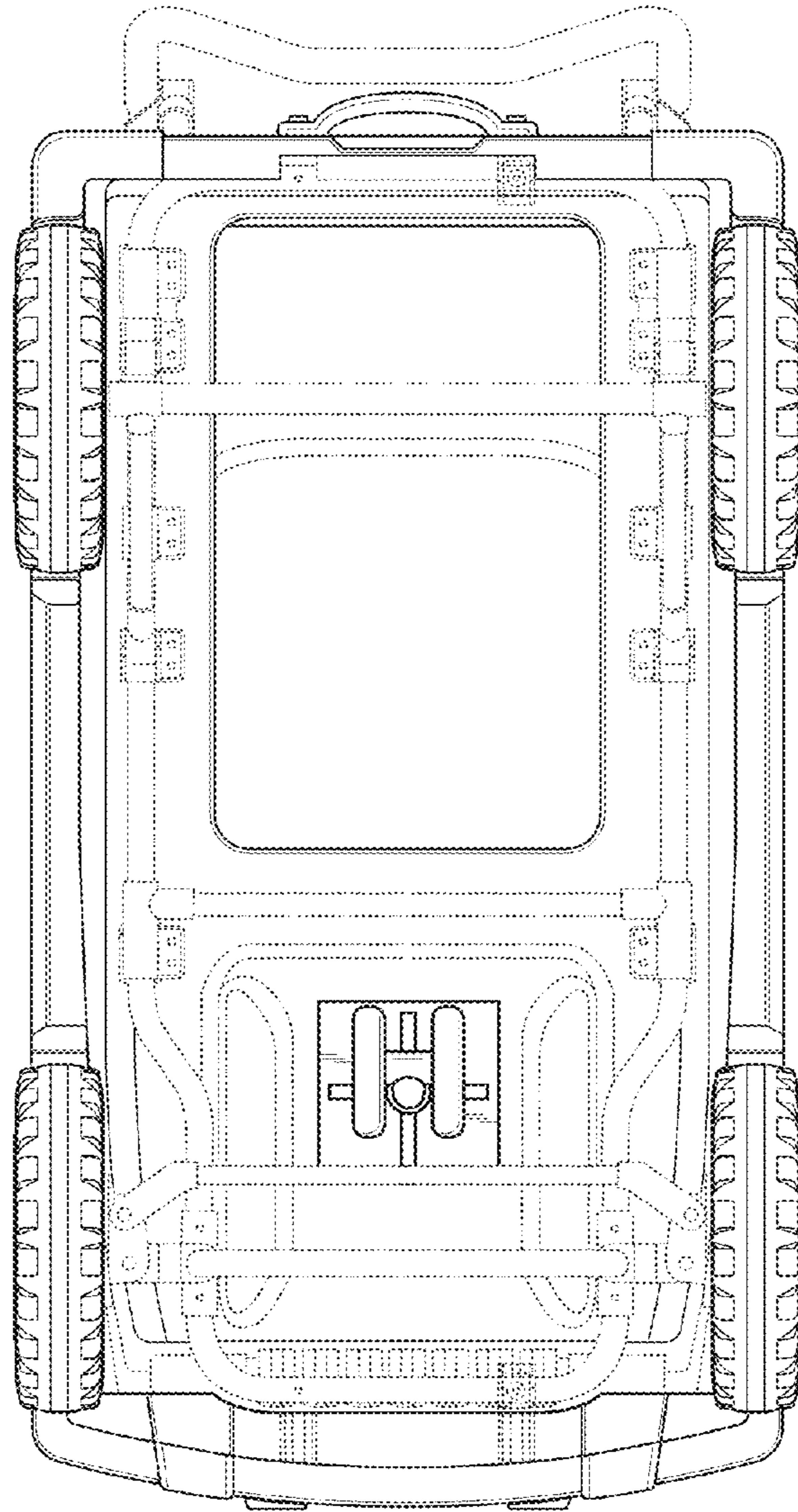


FIG. 7