



US00D701472S

(12) **United States Design Patent**
Šoštaršič

(10) **Patent No.:** **US D701,472 S**

(45) **Date of Patent:** **** *Mar. 25, 2014**

(54) **FRAME TUBE**

(75) Inventor: **Martin Šoštaršič**, Ljubljana (SI)

(73) Assignee: **Studio Moderna SA**, Lugano (CH)

(*) Notice: This patent is subject to a terminal disclaimer.

(**) Term: **14 Years**

(21) Appl. No.: **29/410,986**

(22) Filed: **Jan. 13, 2012**

Related U.S. Application Data

(63) Continuation of application No. 29/370,979, filed on Sep. 27, 2010, now Pat. No. Des. 652,354.

(51) **LOC (10) Cl.** **12-11**

(52) **U.S. Cl.**
USPC **D12/111**

(58) **Field of Classification Search**
USPC D12/111, 114, 117; 280/274–280,
280/281.1, 283–288, 288.1–288.4

See application file for complete search history.

(56) **References Cited**

U.S. PATENT DOCUMENTS

D148,531 S *	2/1948	Fletcher	D12/111
5,295,702 A *	3/1994	Buell	280/284
5,413,368 A *	5/1995	Pong et al.	280/277
6,910,702 B1 *	6/2005	Hals	280/286

* cited by examiner

Primary Examiner — Susan E Krakower

Assistant Examiner — Linda Brooks

(74) *Attorney, Agent, or Firm* — Mitchell P. Brook;
McKenna Long & Aldridge LLP

(57) **CLAIM**

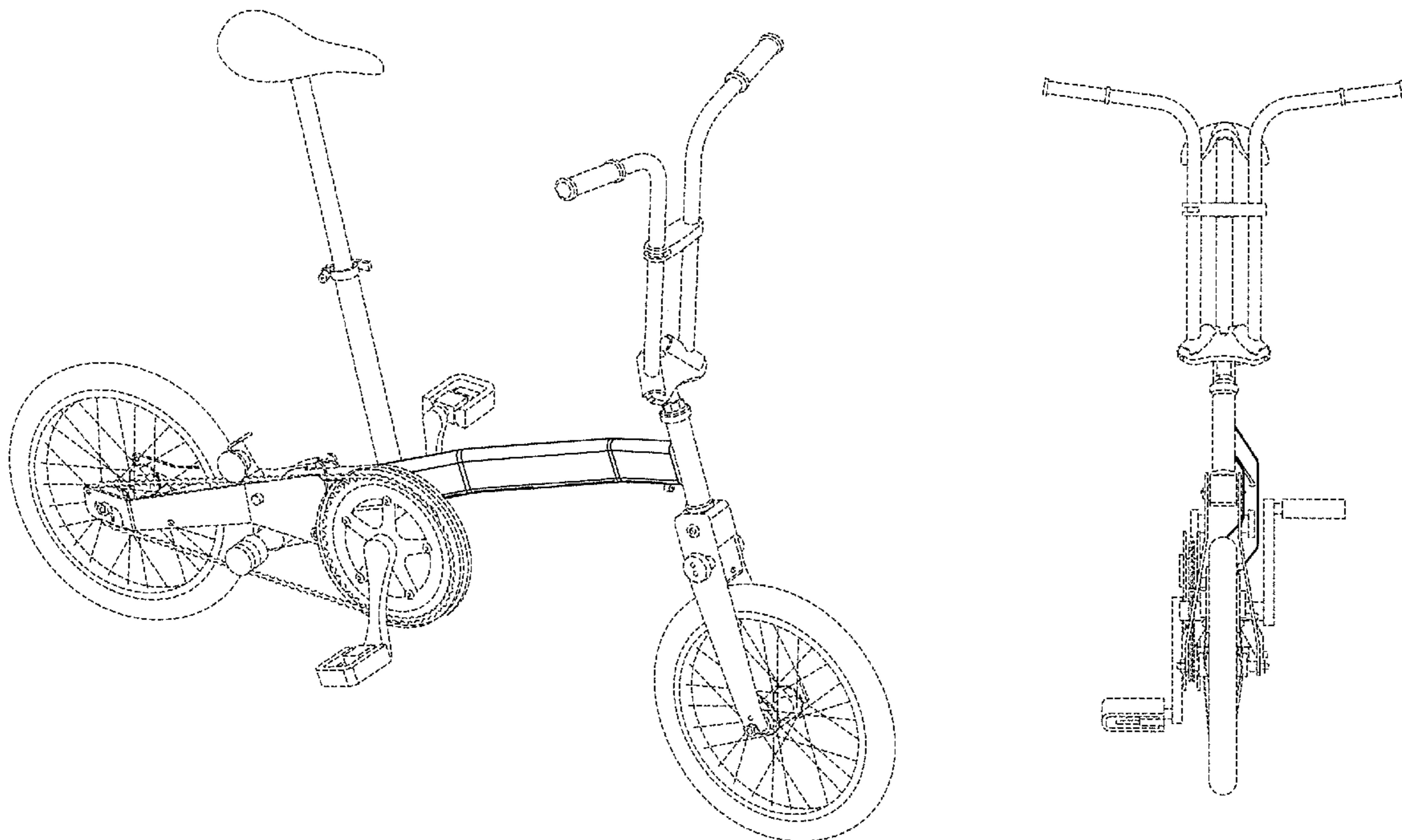
The ornamental design for a frame tube, as shown and described.

DESCRIPTION

FIG. 1 is a right-front perspective view showing the design;
FIG. 2 is a front view thereof;
FIG. 3 is a rear view thereof;
FIG. 4 is a right side view thereof;
FIG. 5 is a left side view thereof;
FIG. 6 is a top view thereof;
FIG. 7 is bottom view thereof; and,
FIG. 8 is right-rear perspective view thereof.

The broken lines illustrate environmental structure and form no part of the claimed design.

1 Claim, 6 Drawing Sheets



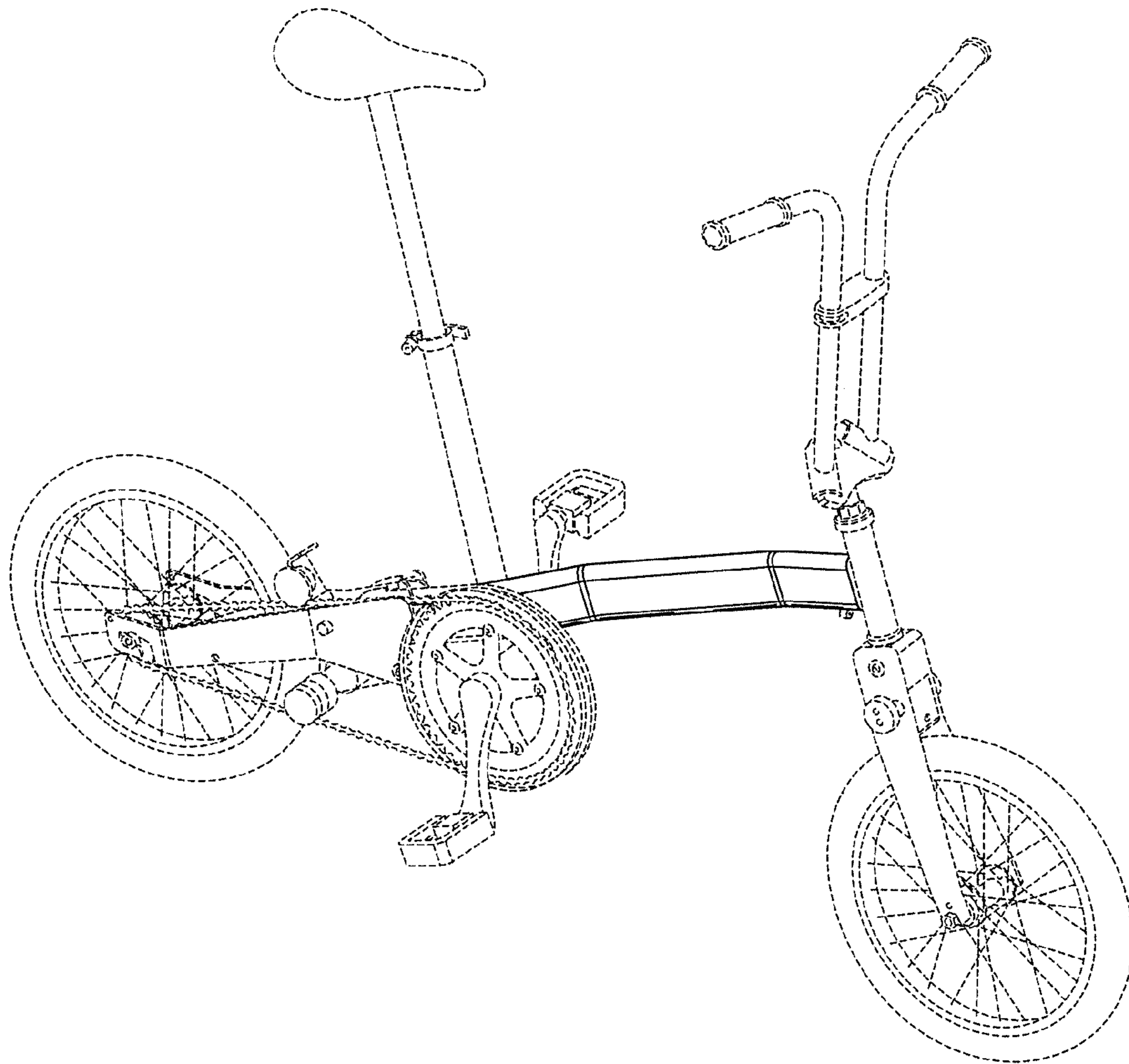


FIG. 1

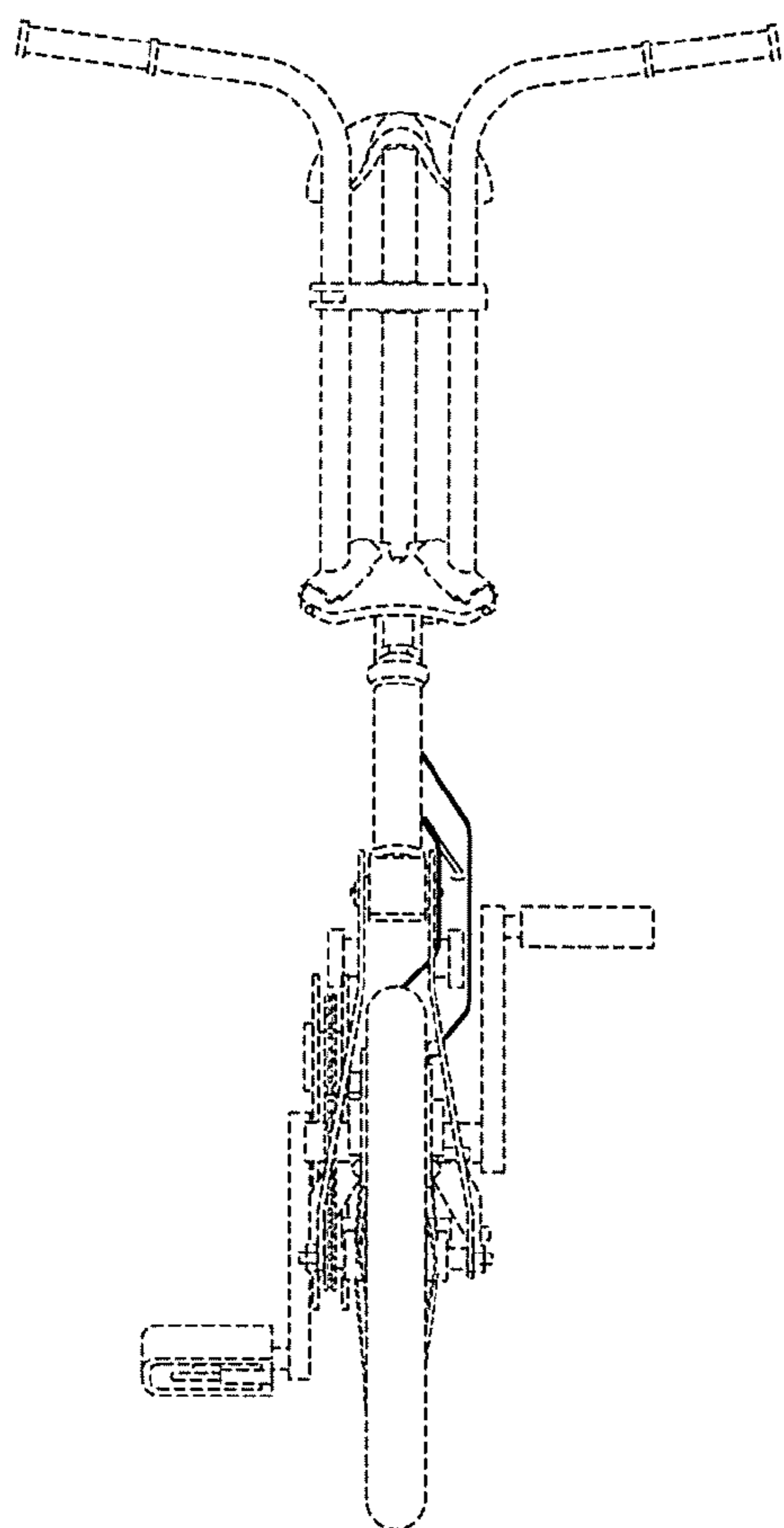


FIG. 2

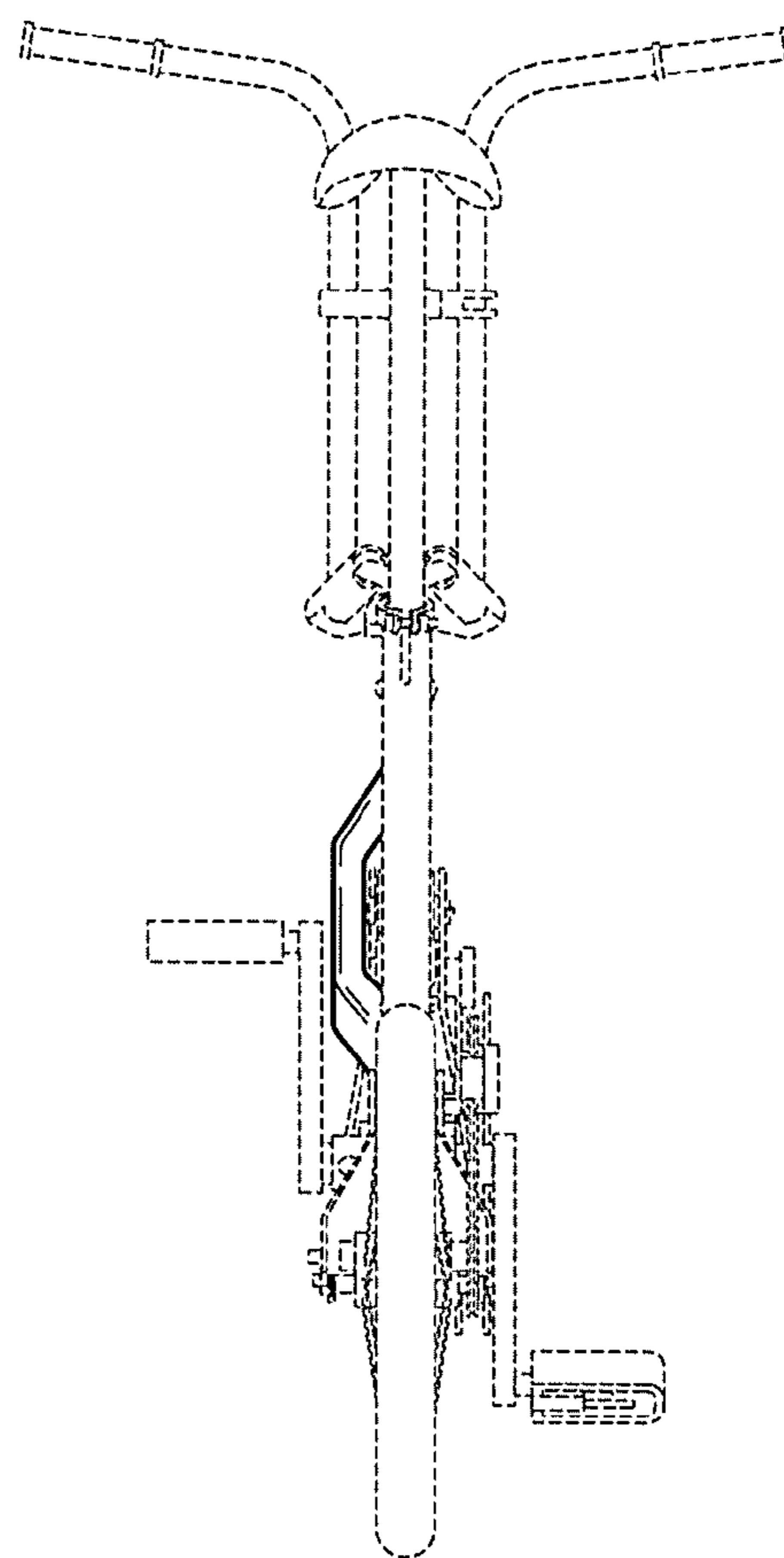


FIG. 3

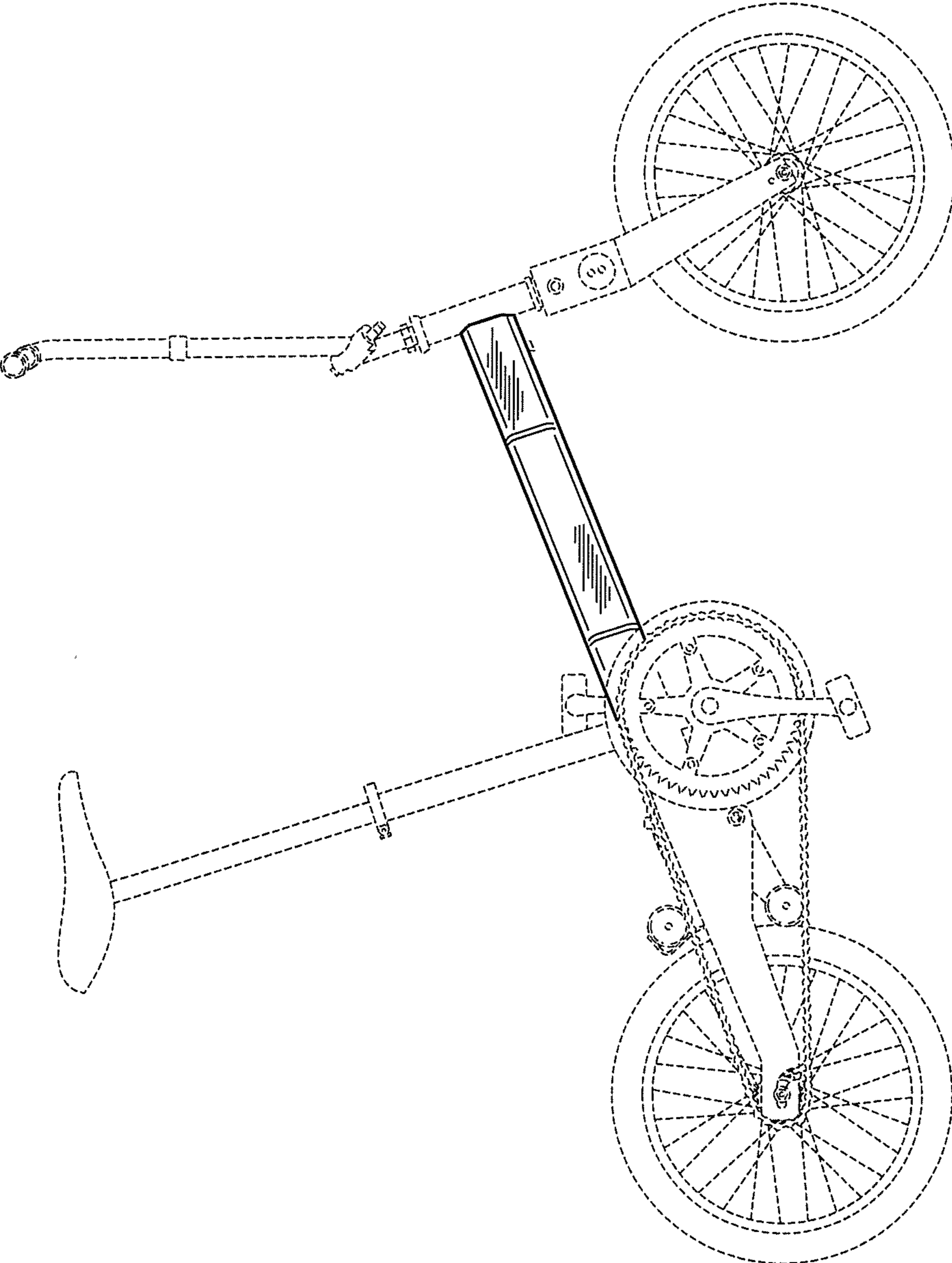


FIG. 4

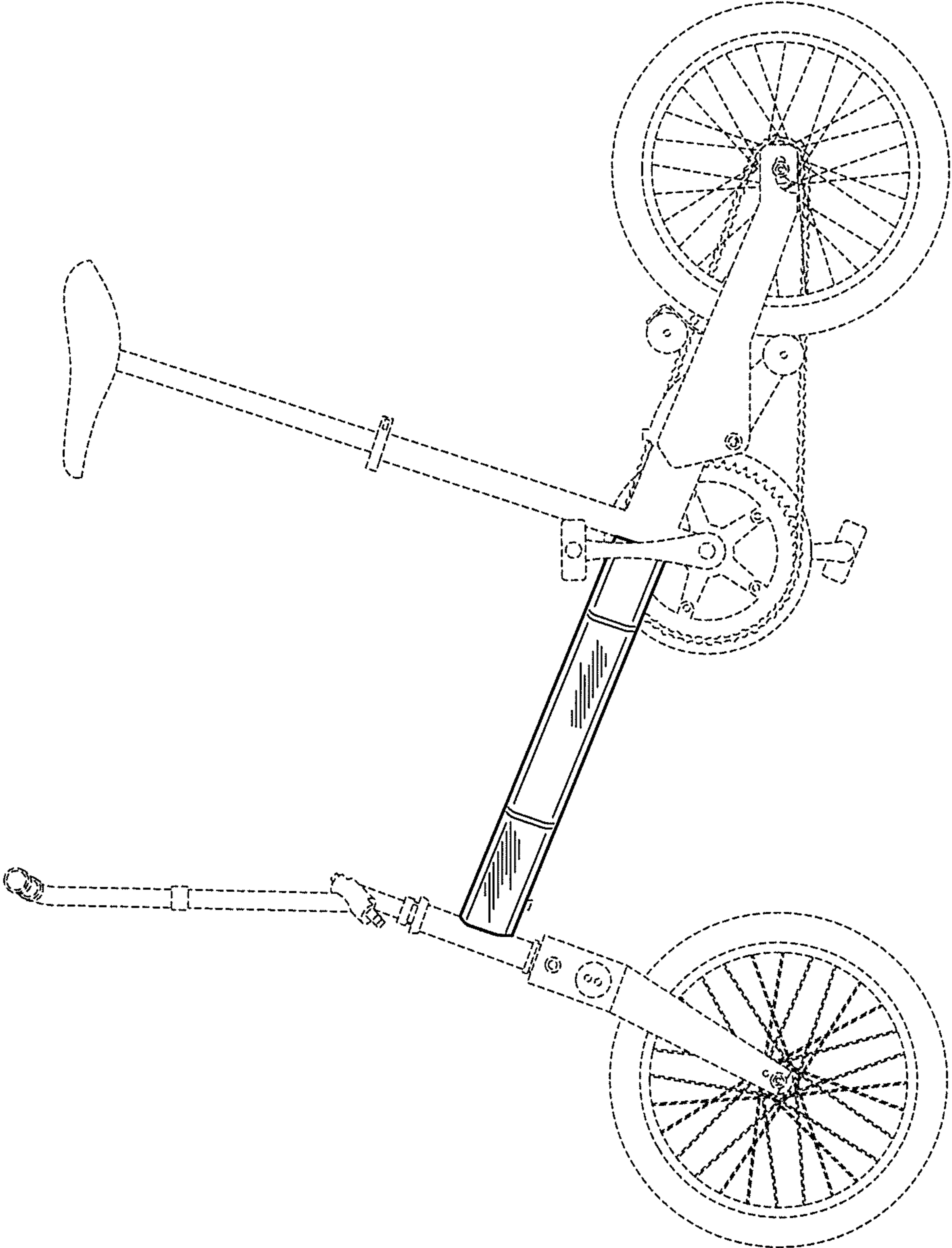


FIG. 5

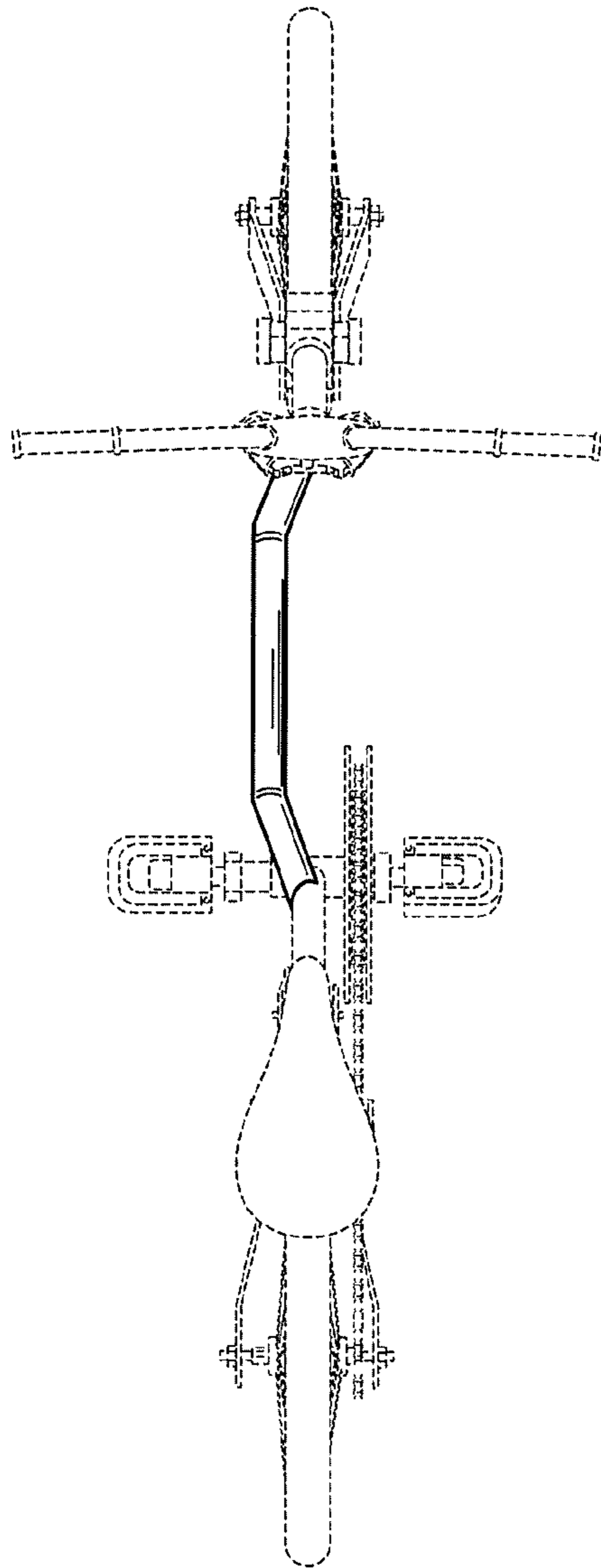


FIG. 6

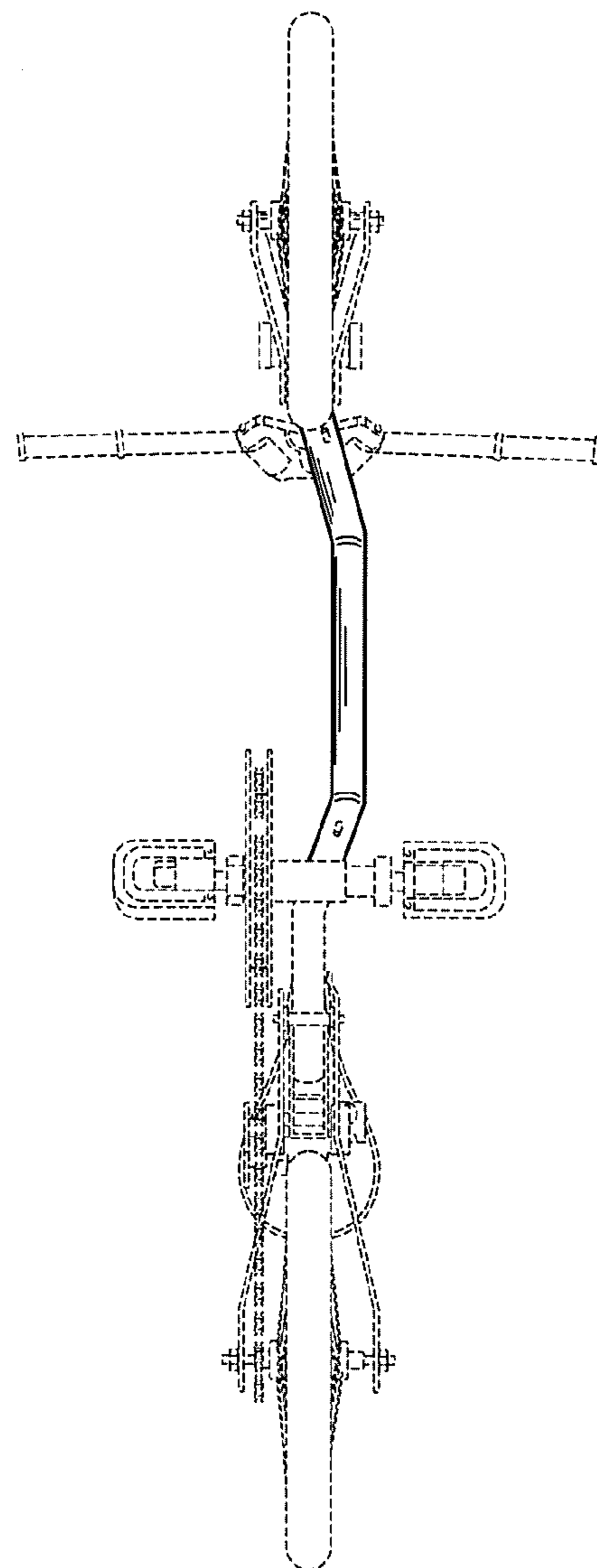


FIG. 7

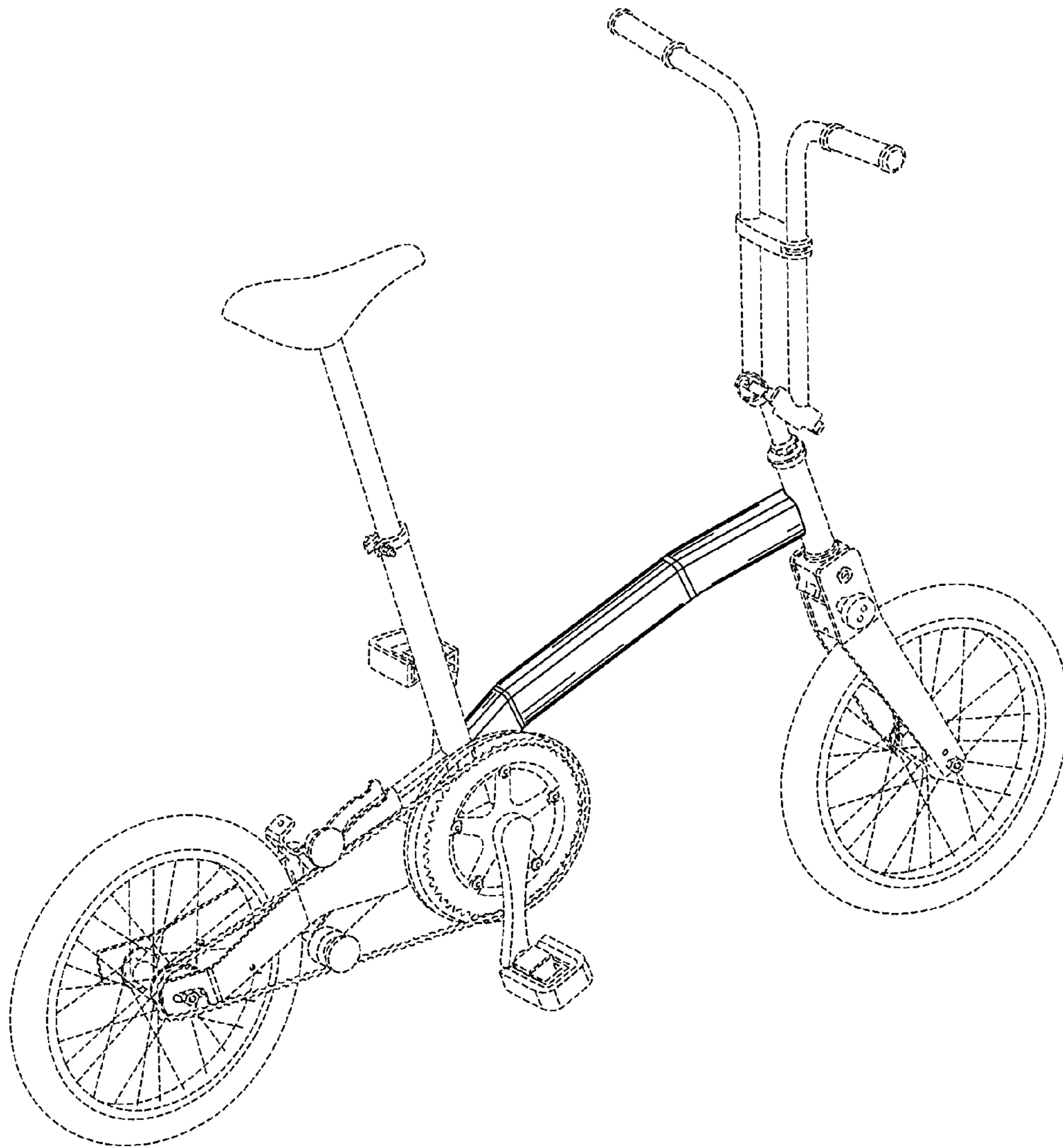


FIG. 8