



US00D701470S

(12) **United States Design Patent**  
**Cohen**

(10) **Patent No.:** **US D701,470 S**  
(45) **Date of Patent:** **\*\* Mar. 25, 2014**

(54) **FOOD VEHICLE**

D633,007 S \* 2/2011 Evans ..... D12/83  
7,950,728 B2 \* 5/2011 Plavetich ..... 296/193.01  
D650,310 S \* 12/2011 Varotsos ..... D12/1

(71) Applicant: **Joseph Cohen**, Philadelphia, PA (US)

(72) Inventor: **Joseph Cohen**, Philadelphia, PA (US)

(\*\*) Term: **14 Years**

(21) Appl. No.: **29/433,267**

(22) Filed: **Sep. 27, 2012**

(51) **LOC (10) Cl.** ..... **12-08**

(52) **U.S. Cl.**  
USPC ..... **D12/99**; D12/93

(58) **Field of Classification Search**  
USPC ..... D12/1, 14, 82, 83, 93, 99, 101, 102,  
D12/103, 104, 105; D21/433, 434, 549,  
D21/552, 581; 180/89.16, 89.18, 89.19;  
126/21 R; 296/22, 24.2; 221/131, 150 R  
See application file for complete search history.

(56) **References Cited**

**U.S. PATENT DOCUMENTS**

2,733,094 A \* 1/1956 Carlton ..... 296/22  
D230,351 S \* 2/1974 Hamel ..... D12/99  
4,236,747 A \* 12/1980 Ratliff ..... 296/24.4  
D297,626 S \* 9/1988 London et al. .... D12/99  
D309,281 S \* 7/1990 Tisten et al. .... D12/99  
D311,883 S \* 11/1990 Ollerman ..... D12/96  
D367,506 S \* 2/1996 Bowman ..... D21/552  
D426,493 S \* 6/2000 Mertins et al. .... D12/93  
6,189,944 B1 \* 2/2001 Piche ..... 296/22

**FOREIGN PATENT DOCUMENTS**

JP 2005212537 A \* 8/2005 ..... B60P 3/025  
JP 2007069631 A \* 3/2007 ..... B60P 3/025  
JP 2008279892 A \* 11/2008 ..... B60P 3/025

\* cited by examiner

*Primary Examiner* — Philip S Hyder

*Assistant Examiner* — Darlington Ly

(74) *Attorney, Agent, or Firm* — Fox Rothschild LLP;  
Gerard P. Norton; Lindette Hassan

(57) **CLAIM**

The ornamental design for a food vehicle, as shown and described.

**DESCRIPTION**

FIG. 1 is a perspective view of the front and right side of a food vehicle showing my new design.

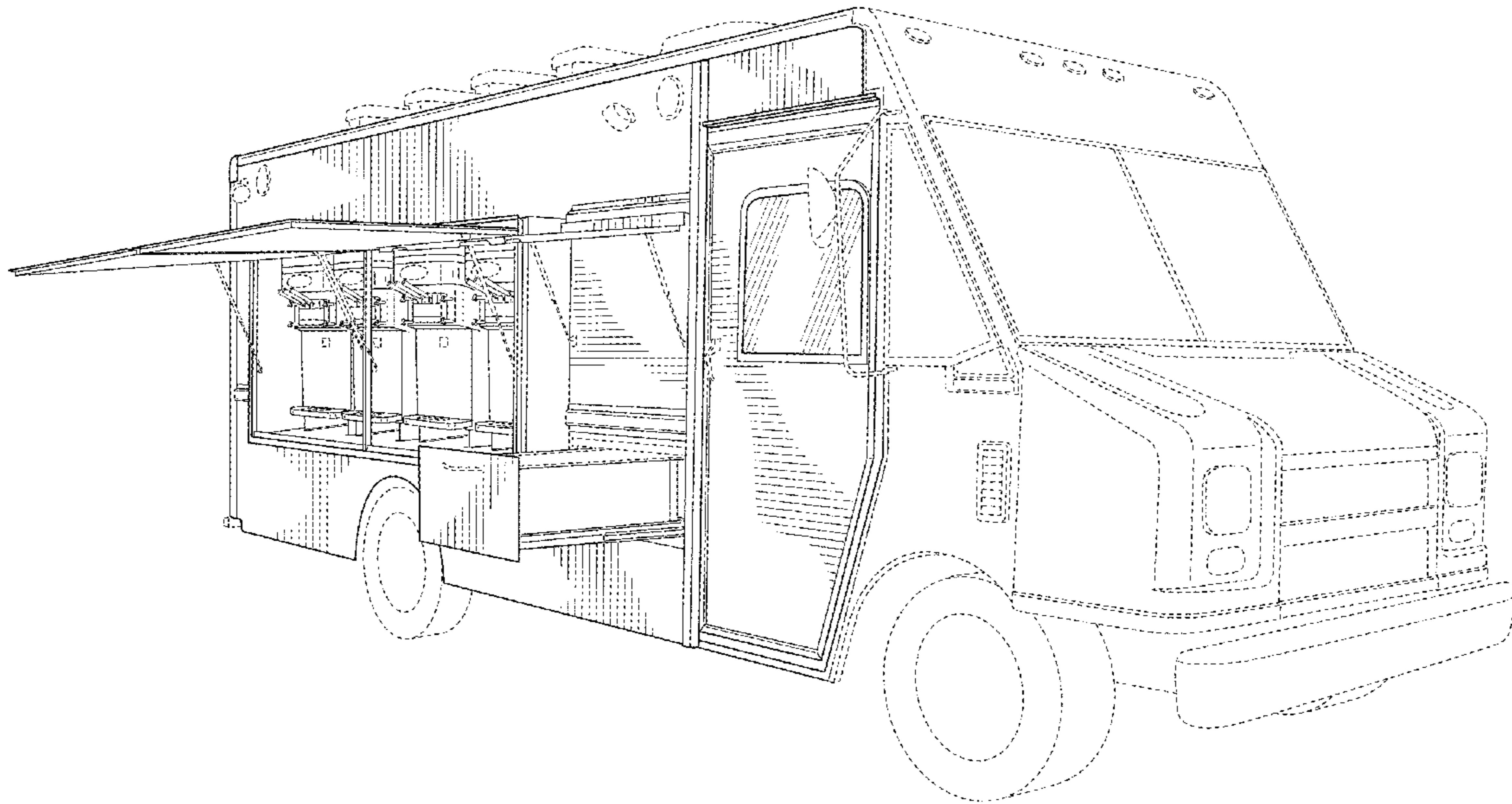
FIG. 2 is a right side elevation view thereof.

FIG. 3 is a front elevation view thereof; and,

FIG. 4 is a right side elevation view thereof, wherein the door is shown open.

The uniformly even broken lines shown in the drawings illustrate portions of the food vehicle that forms no part of claimed design. The dash-dot broken lines represent boundaries of the claimed design and form no part thereof.

**1 Claim, 4 Drawing Sheets**



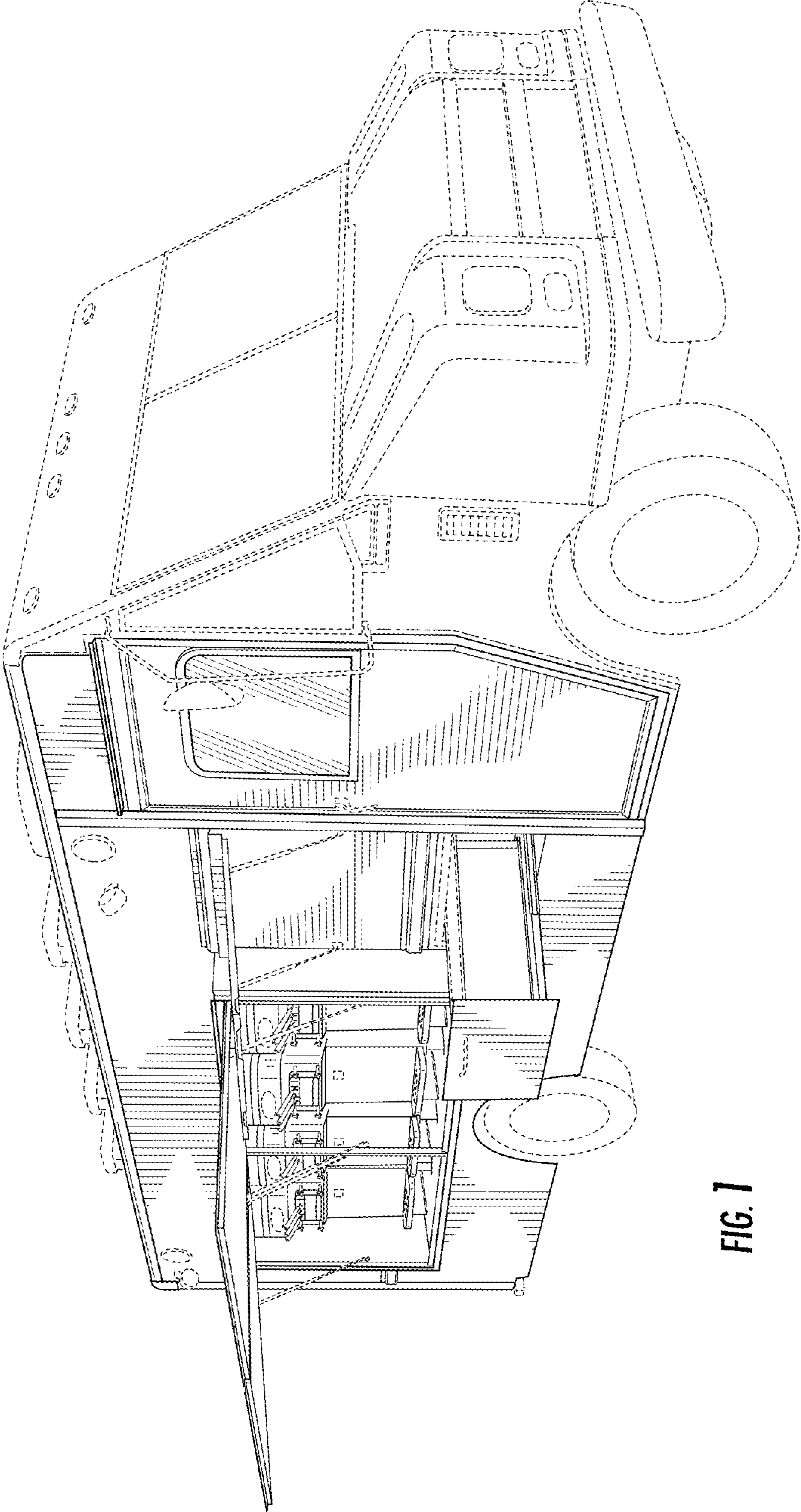


FIG. 1

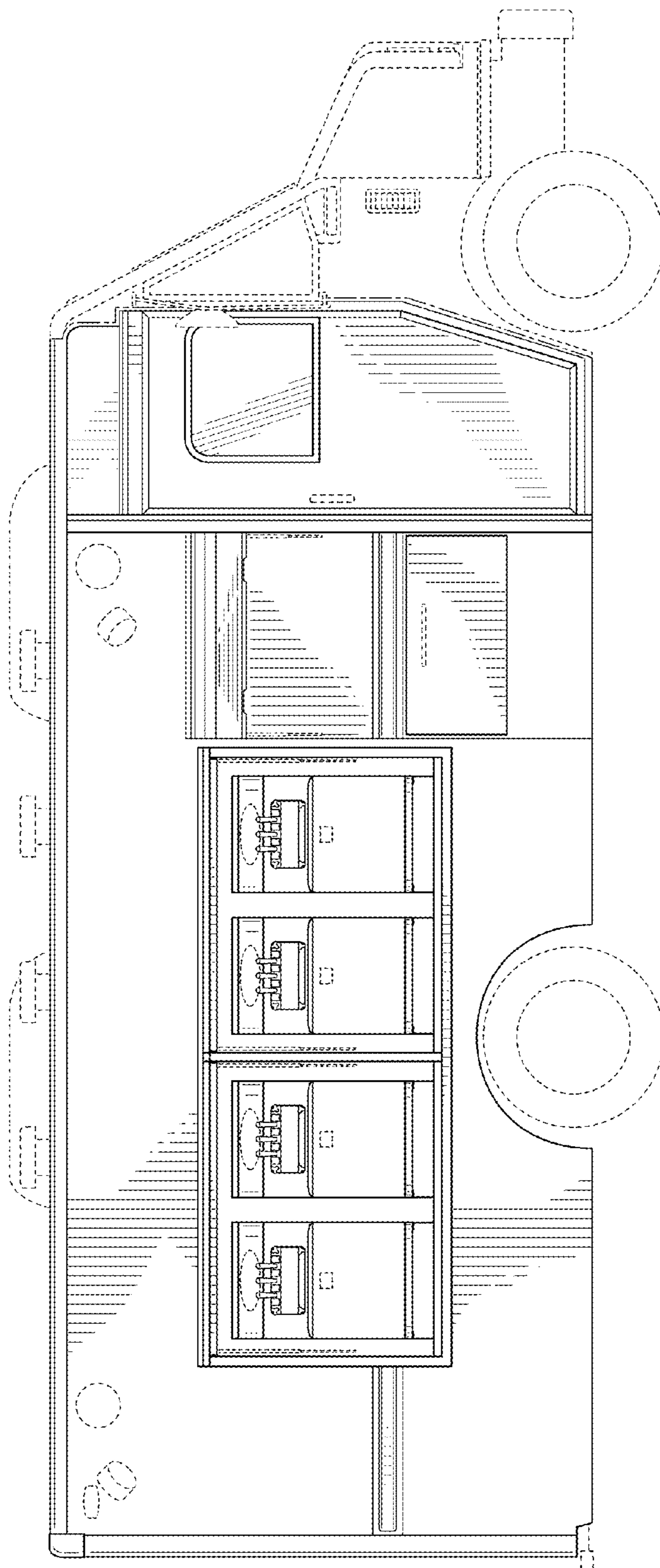
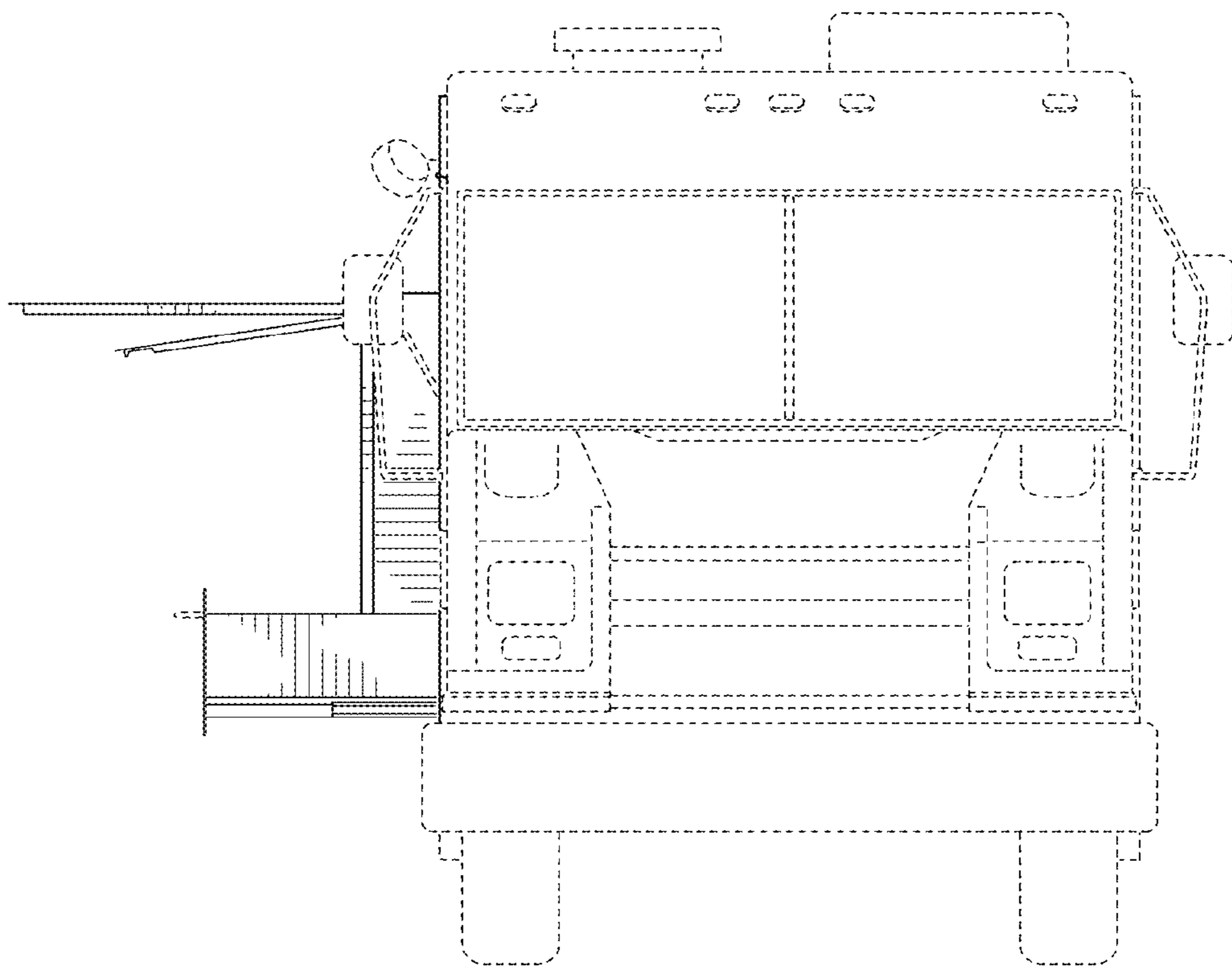


FIG. 2



**FIG. 3**

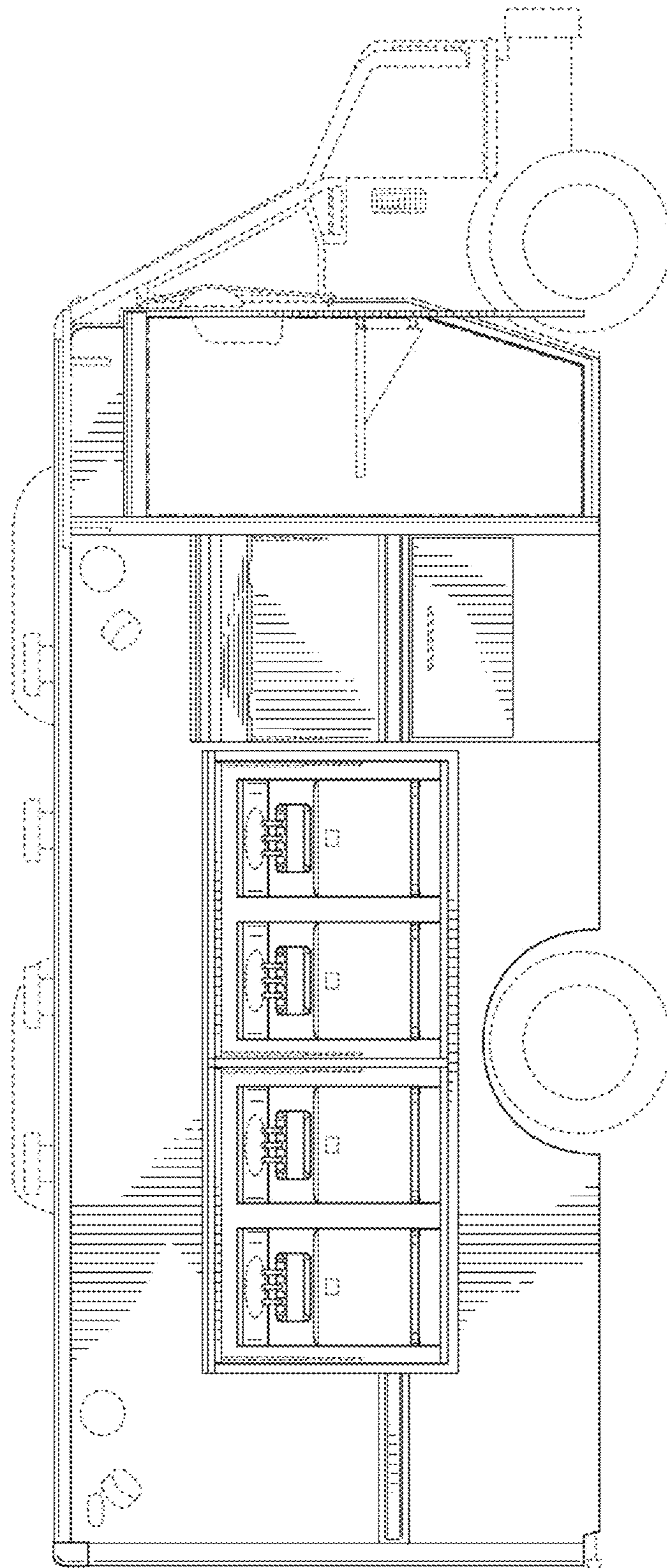


FIG. 4