



US00D701466S

(12) **United States Design Patent**  
**Clifford et al.**

(10) **Patent No.:** **US D701,466 S**

(45) **Date of Patent:** **\*\* Mar. 25, 2014**

(54) **LED STROBE LIGHT WITH HEAT SINK CHIMNEY**

(71) Applicant: **Checkers Industrial Products, LLC**,  
Broomfield, CO (US)

(72) Inventors: **Scott Clifford**, Mesa, AZ (US); **Steven N. D. Brundula**, Chandler, AZ (US)

(73) Assignee: **Checkers Industrial Products, LLC**,  
Broomfield, CO (US)

(\*\*) Term: **14 Years**

(21) Appl. No.: **29/452,449**

(22) Filed: **Apr. 16, 2013**

(51) **LOC (10) Cl.** ..... **10-05**

(52) **U.S. Cl.**  
USPC ..... **D10/114.2**

(58) **Field of Classification Search**  
USPC ..... D10/114.1-114.5; D26/72, 85;  
362/540-549

See application file for complete search history.

(56) **References Cited**

**U.S. PATENT DOCUMENTS**

D513,477 S \* 1/2006 Heftman ..... D10/111  
D544,805 S \* 6/2007 Corrigan et al. .... D10/111

D570,722 S \* 6/2008 Taylor ..... D10/114.8  
D598,316 S \* 8/2009 Kuwano ..... D10/114.8  
D598,799 S \* 8/2009 Shigematsu ..... D10/114.8  
D601,053 S \* 9/2009 Ferrie et al. .... D10/114.8  
D612,760 S \* 3/2010 Chen et al. .... D10/114.8  
D668,982 S \* 10/2012 Hsiao ..... D10/114.2  
2005/0110649 A1 \* 5/2005 Fredericks et al. .... 340/815.45

\* cited by examiner

*Primary Examiner* — George D Kirschbaum

(74) *Attorney, Agent, or Firm* — Holland & Hart

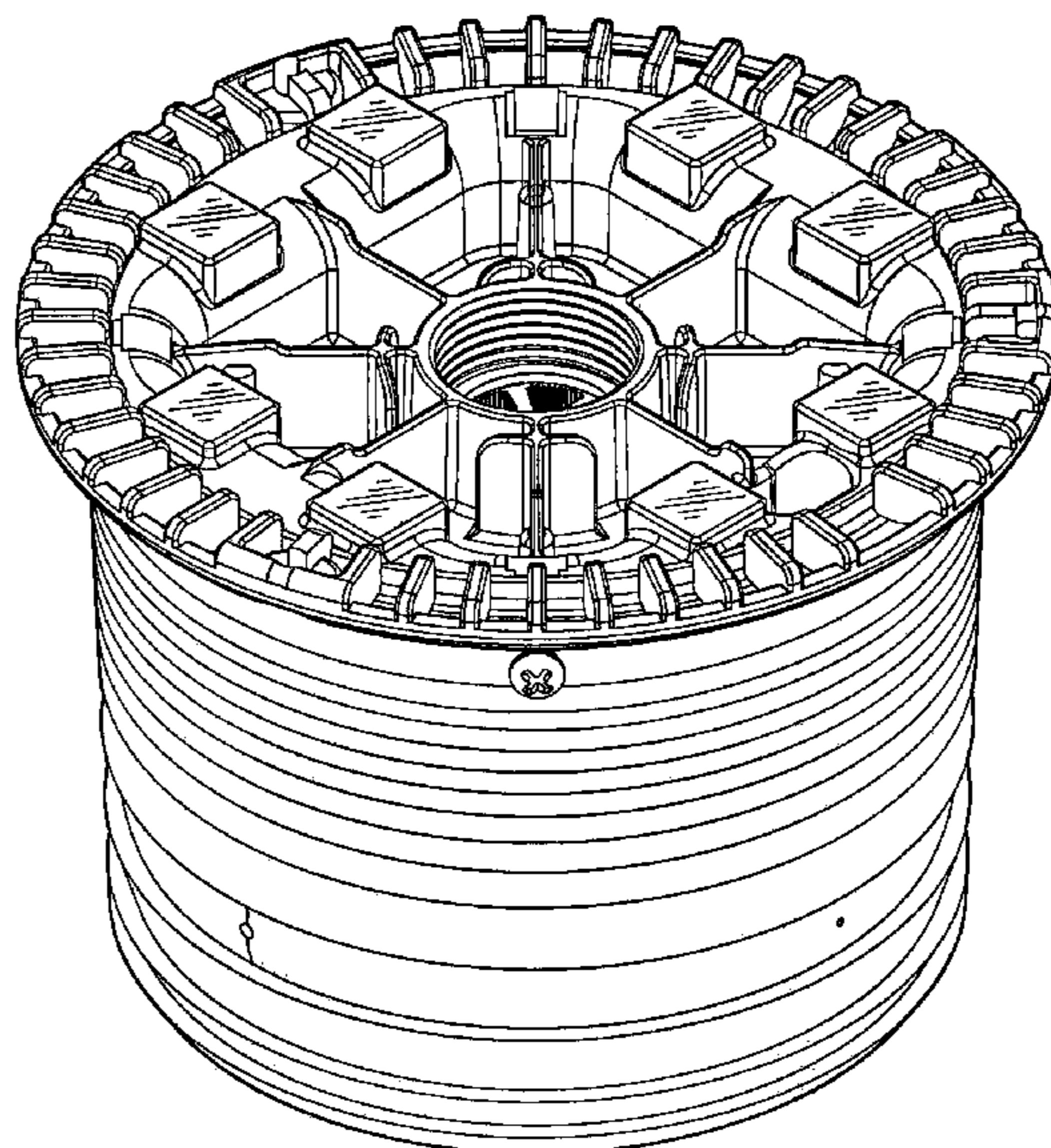
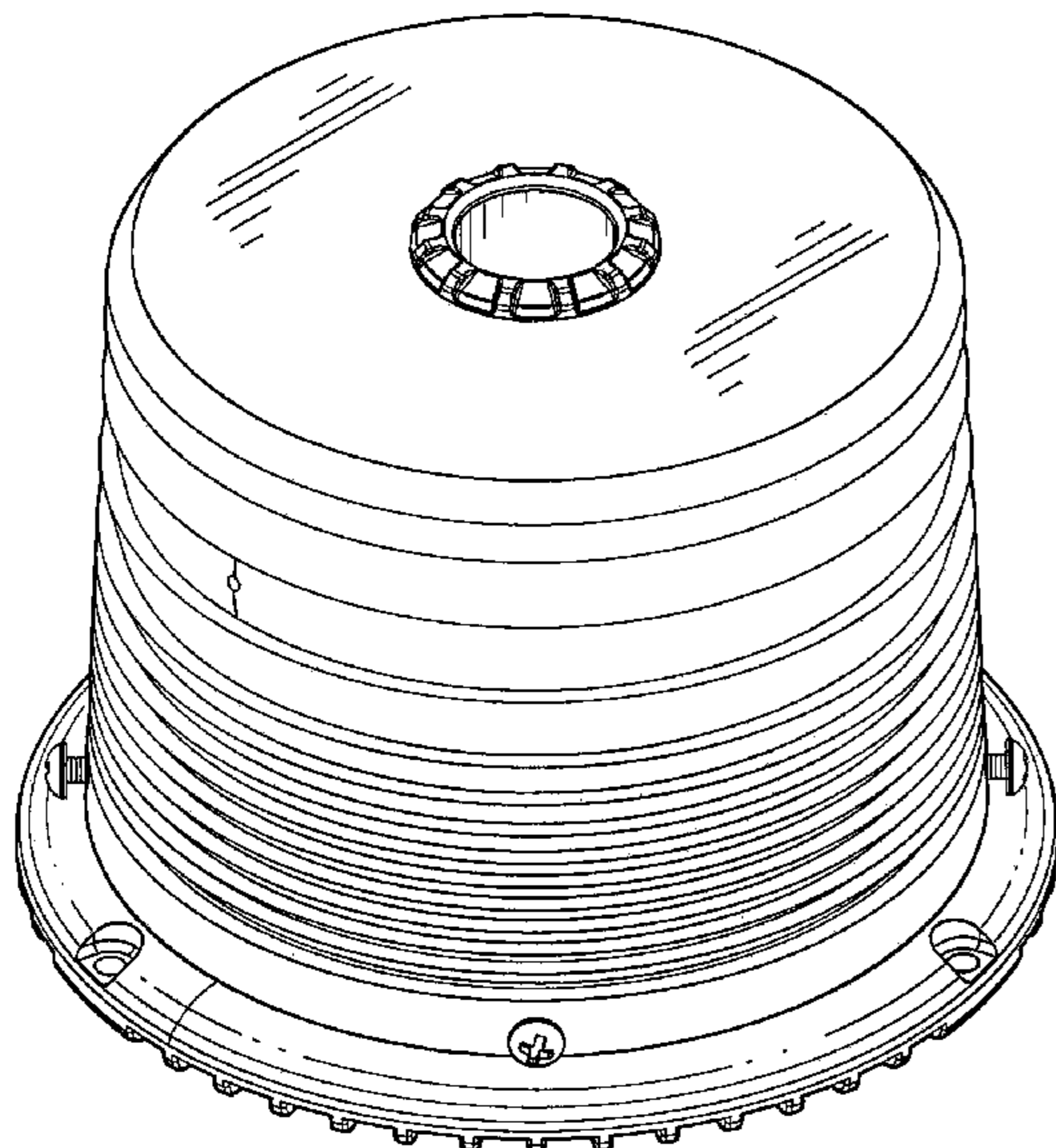
(57) **CLAIM**

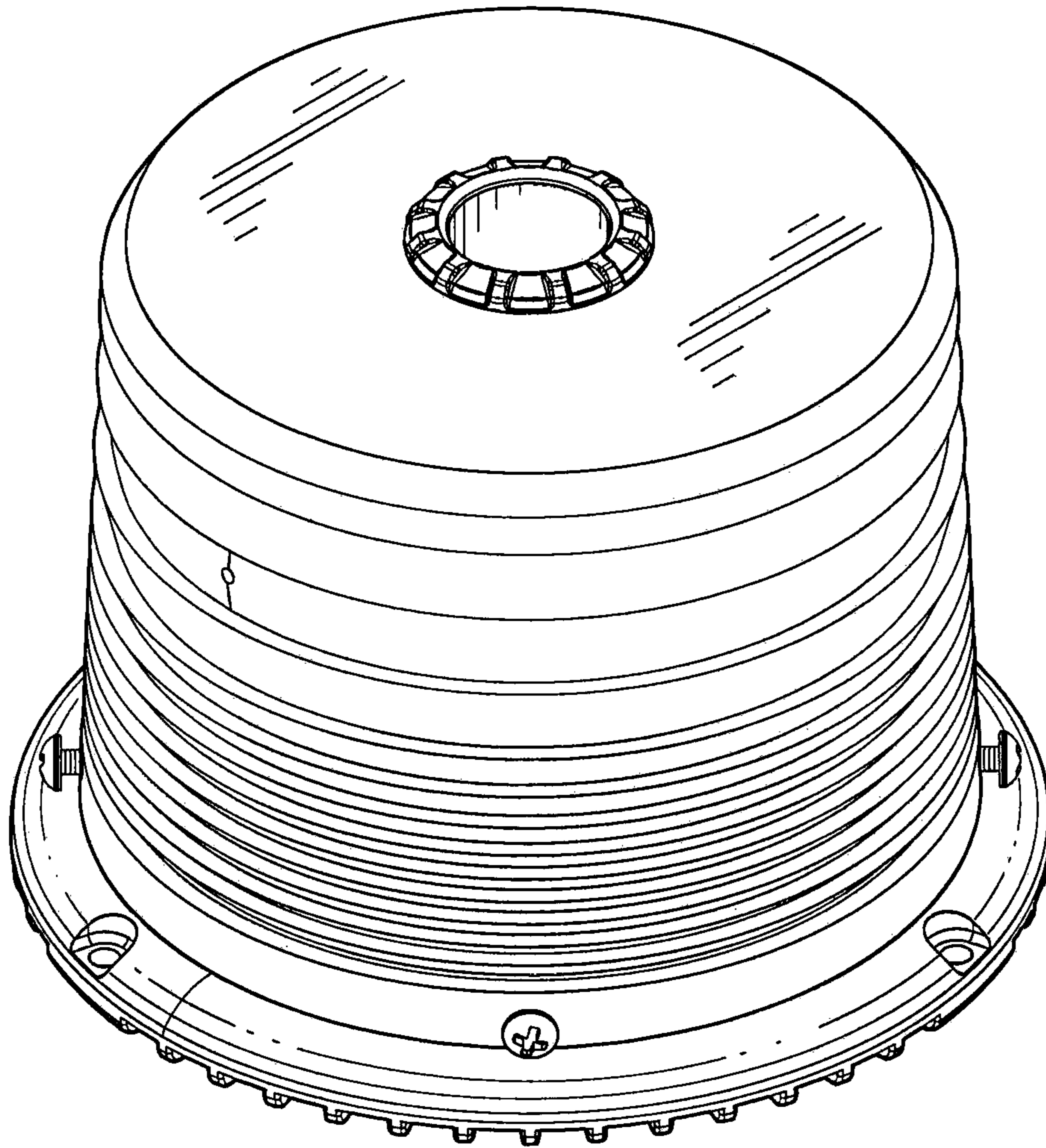
The ornamental design for a LED strobe light with heat sink chimney, as shown and described.

**DESCRIPTION**

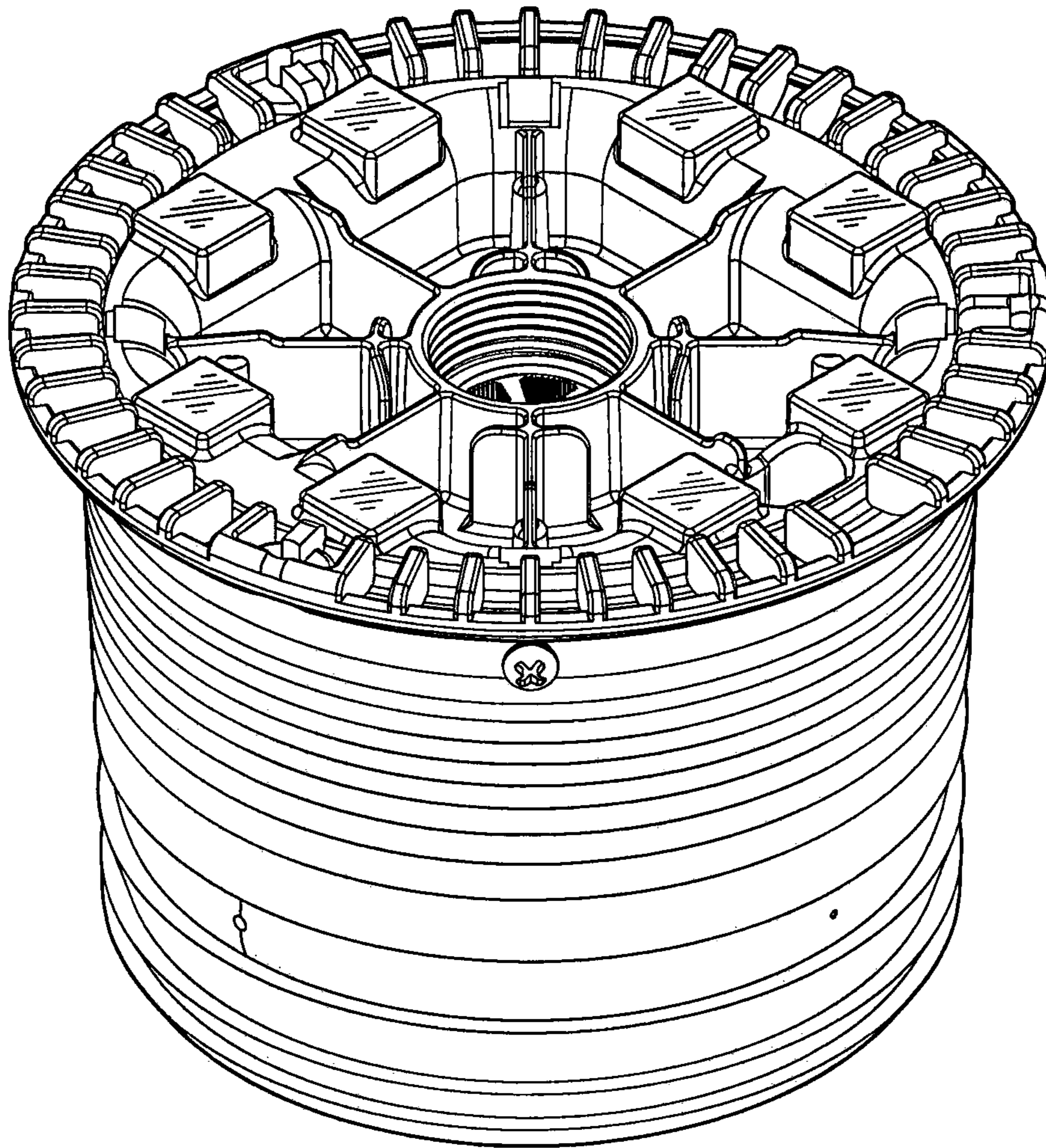
FIG. 1 is a perspective view of a LED strobe light with heat sink chimney according to the present invention;  
FIG. 2 is a bottom perspective view thereof;  
FIG. 3 is a right side view thereof;  
FIG. 4 is a left side view thereof;  
FIG. 5 is a rear view thereof;  
FIG. 6 is a front view thereof;  
FIG. 7 is a top view thereof; and,  
FIG. 8 is a bottom view thereof.

**1 Claim, 6 Drawing Sheets**

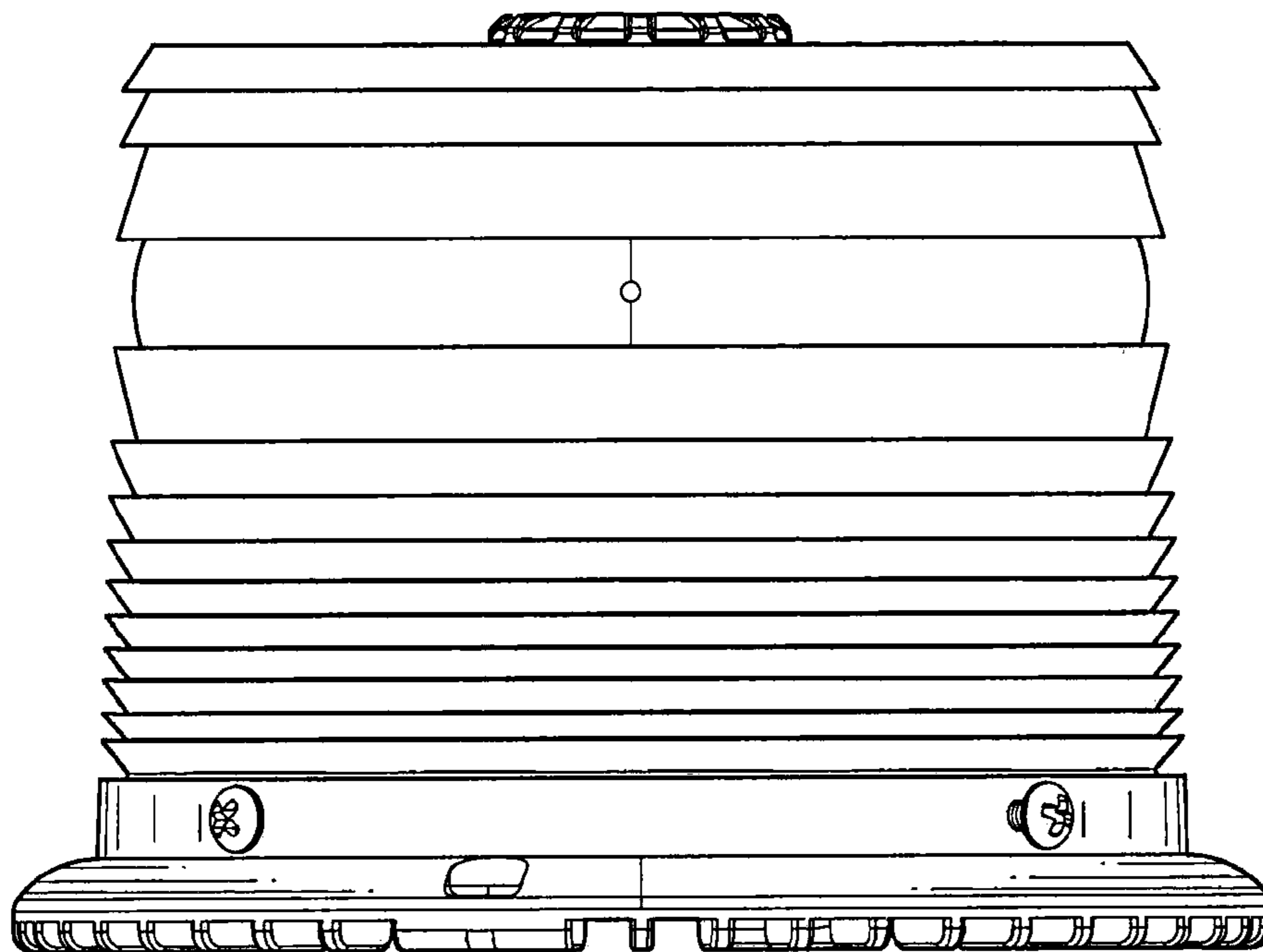




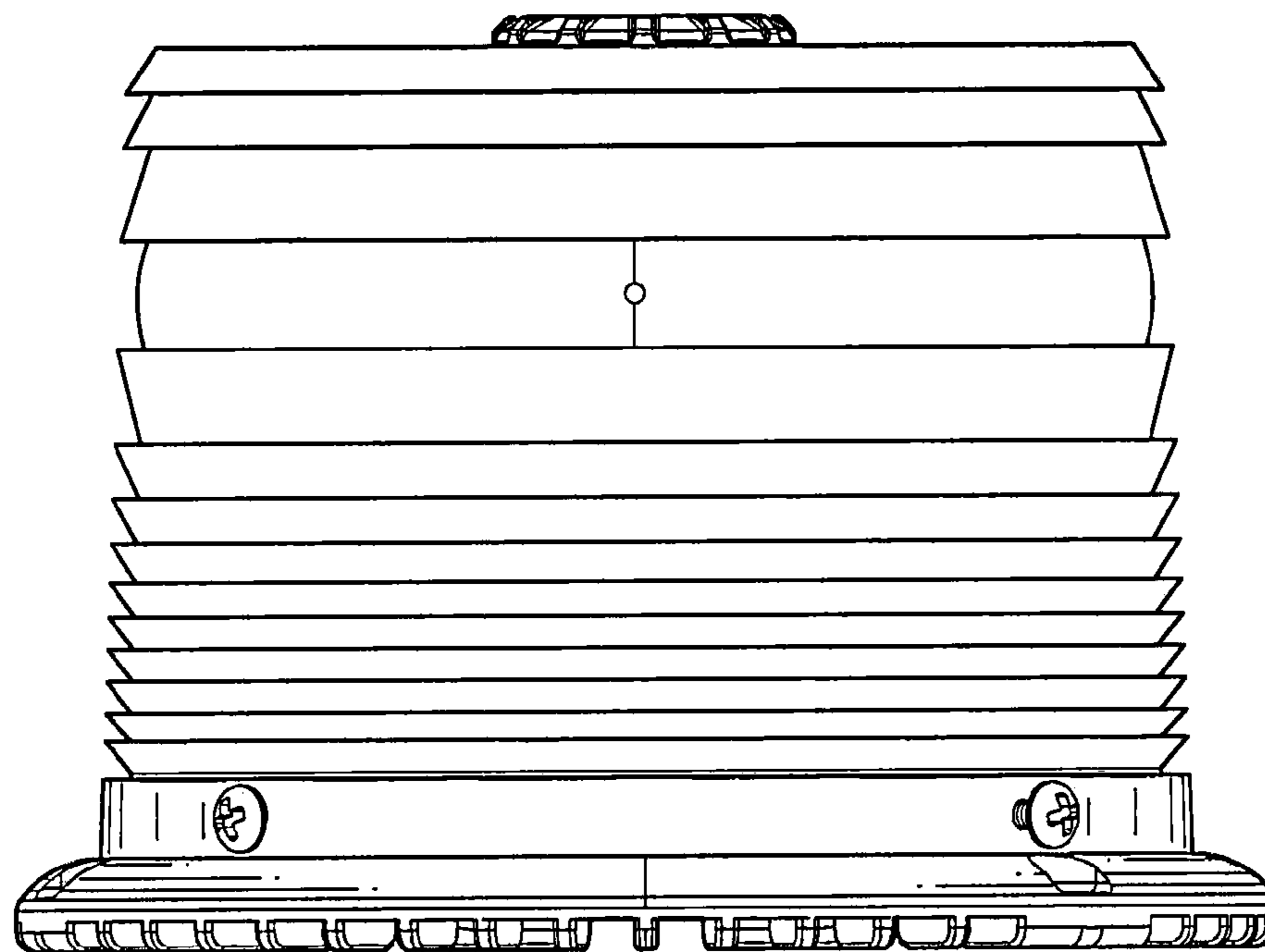
**FIG. 1**



**FIG. 2**



**FIG. 3**



**FIG. 4**

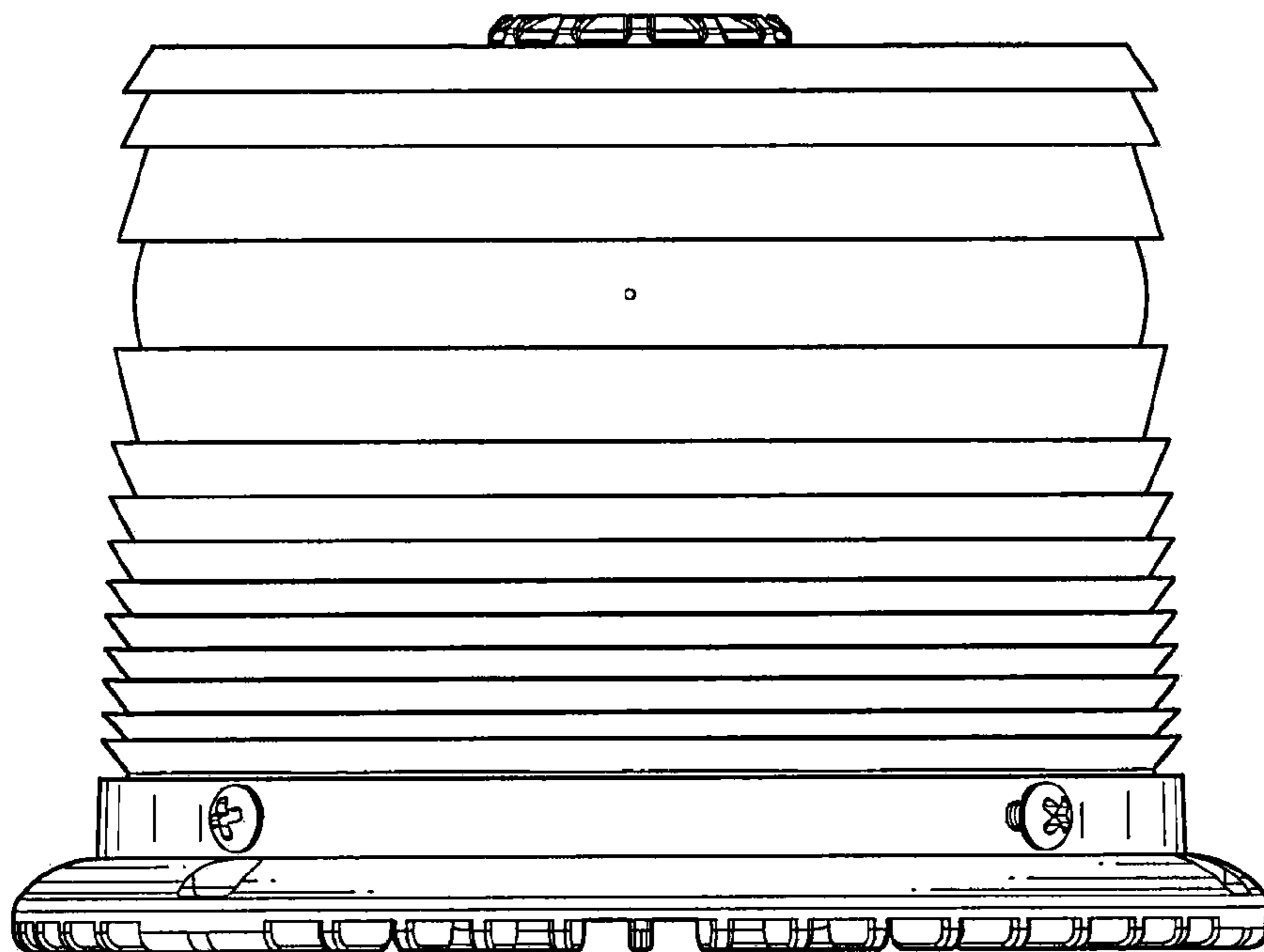


FIG. 5

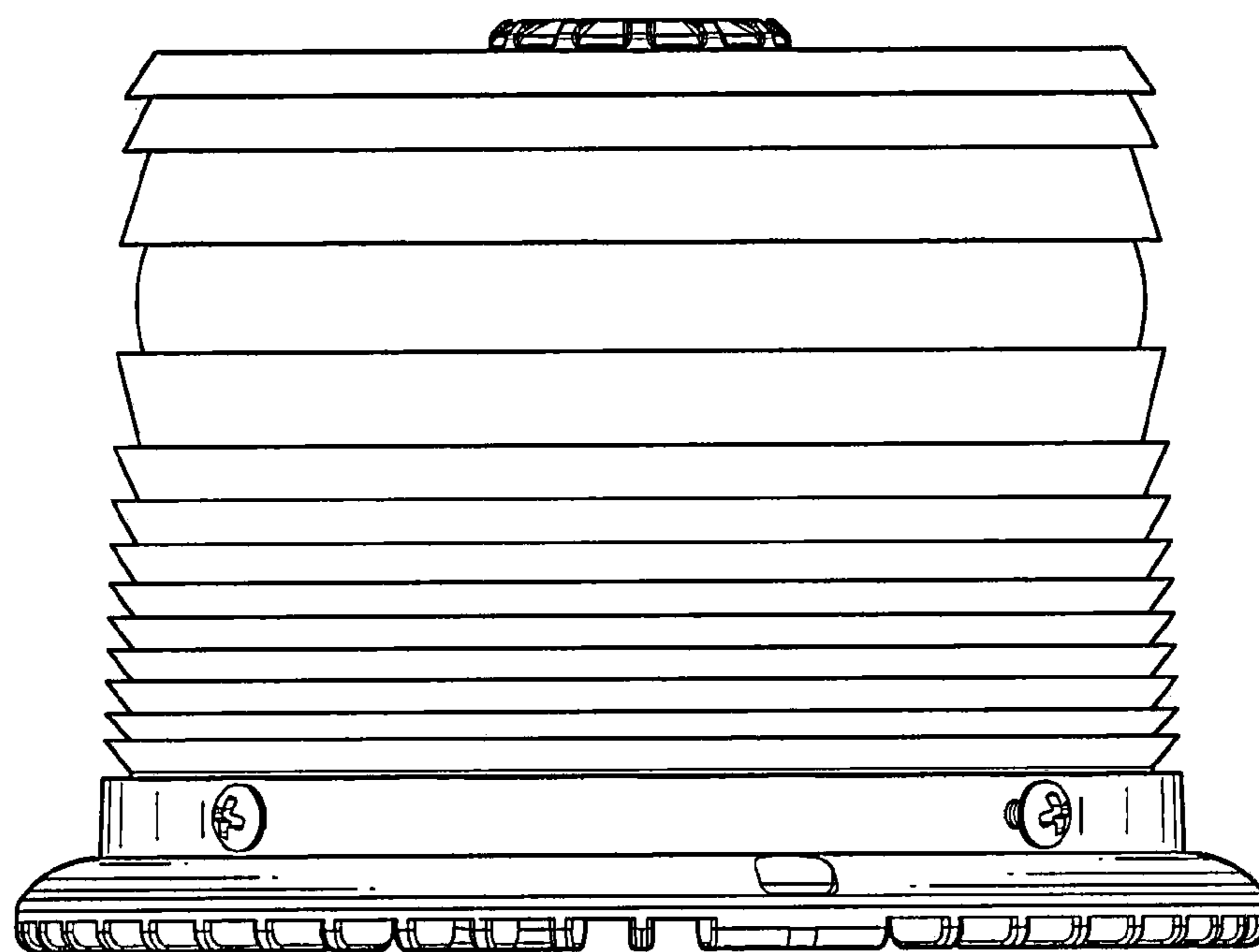
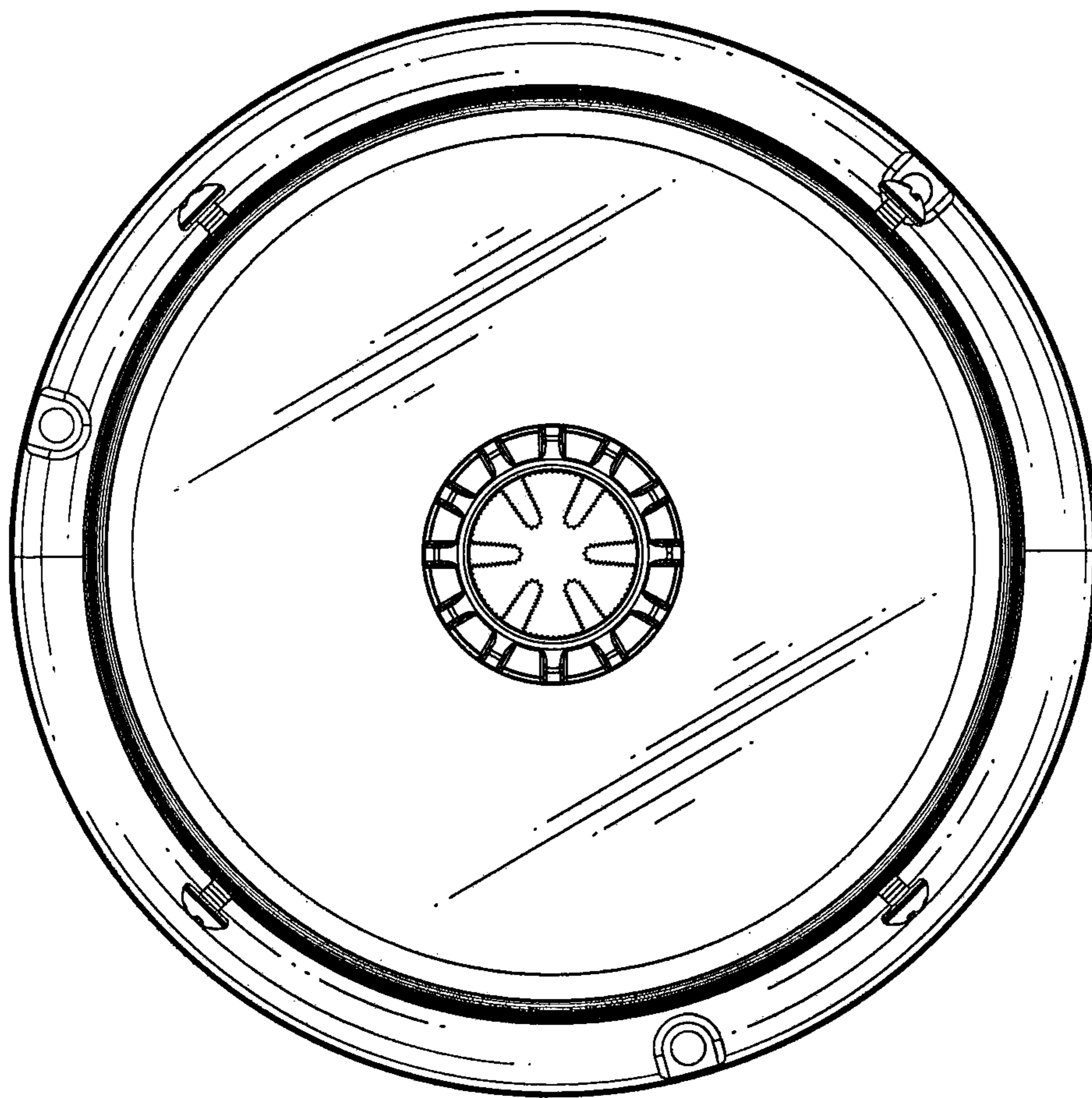
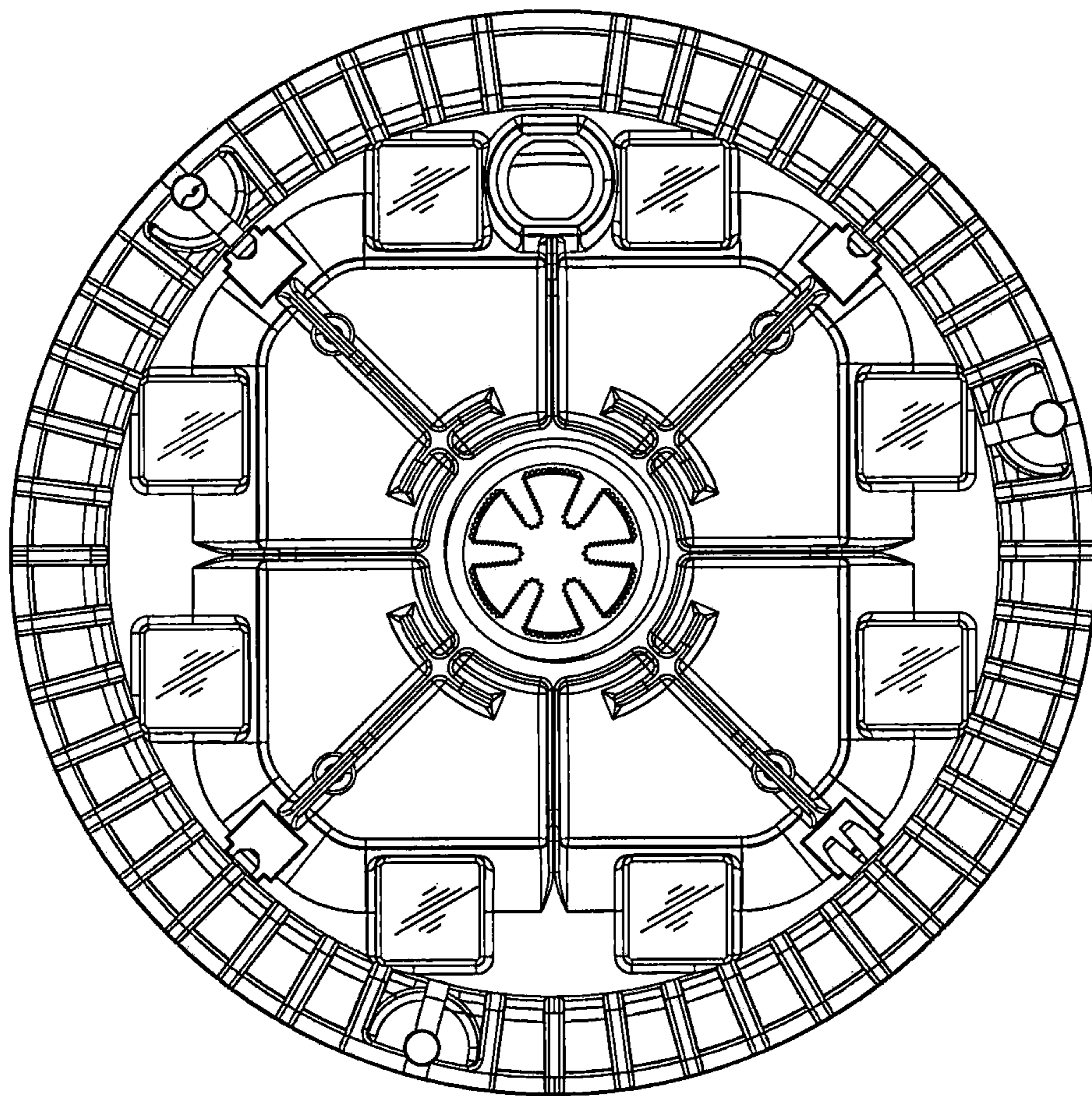


FIG. 6



**FIG. 7**



**FIG. 8**