



US00D701463S

(12) **United States Design Patent**
Hojo

(10) **Patent No.:** **US D701,463 S**

(45) **Date of Patent:** **** *Mar. 25, 2014**

(54) **LIQUID CONTAINER**

(75) Inventor: **Masaru Hojo**, Tokyo (JP)

(73) Assignee: **World Create, Inc.**, Tokyo (JP)

(*) Notice: This patent is subject to a terminal disclaimer.

(**) Term: **14 Years**

(21) Appl. No.: **29/421,699**

(22) Filed: **Sep. 5, 2012**

(30) **Foreign Application Priority Data**

Apr. 3, 2012 (JP) D2012-007821

(51) **LOC (10) Cl.** **09-01**

(52) **U.S. Cl.**
USPC **D9/719**

(58) **Field of Classification Search**

USPC D9/436, 446, 500, 502, 503, 516, 517,
D9/519, 520, 529, 530, 549, 551, 554, 556,
D9/557, 558, 559, 562, 564, 565, 569, 571,
D9/574, 575, 716-729, 730, 734; 206/409,
206/812, 824; 215/395, 398, 386, 381-384

See application file for complete search history.

(56) **References Cited**

U.S. PATENT DOCUMENTS

3,212,663 A * 10/1965 Greenwell 215/42
3,460,702 A * 8/1969 Andrews 215/247
D342,449 S * 12/1993 Mattheis D9/446
5,730,292 A * 3/1998 Jones 206/534
D435,444 S * 12/2000 Newville et al. D9/446

D440,156 S * 4/2001 Lonczak et al. D7/597
D478,005 S * 8/2003 Sali D9/446
D515,936 S * 2/2006 Ko D9/696
D548,089 S * 8/2007 Waldner D9/516
D548,090 S * 8/2007 Waldner D9/516
D548,100 S * 8/2007 Holm et al. D9/554
D553,254 S * 10/2007 Colin et al. D24/224
D569,252 S * 5/2008 Borsari et al. D9/500
D592,967 S * 5/2009 Melrose et al. D9/574
2005/0224448 A1 * 10/2005 Sutton 215/386
2010/0230405 A1 * 9/2010 Strait, III 220/4.01

* cited by examiner

Primary Examiner — Derrick Holland

Assistant Examiner — Lauren Calve

(74) *Attorney, Agent, or Firm* — Roylance, Abrams, Berdo & Goodman LLP

(57) **CLAIM**

I claim the ornamental design for a liquid container, as shown and described.

DESCRIPTION

FIG. 1 is a front elevation view of a liquid container showing my new design;

FIG. 2 is a top plan view thereof;

FIG. 3 is a bottom view thereof;

FIG. 4 is a left side elevation view thereof;

FIG. 5 is a partial enlarged view according to the broken circle indicated by "5" in FIG. 2; and,

FIG. 6 is a front elevation view thereof showing the liquid container with the band element removed.

The broken line showing in FIGS. 2 and 5 represents boundaries around portions of the claim that have been enlarged for clarity and form no part of the claim.

1 Claim, 2 Drawing Sheets

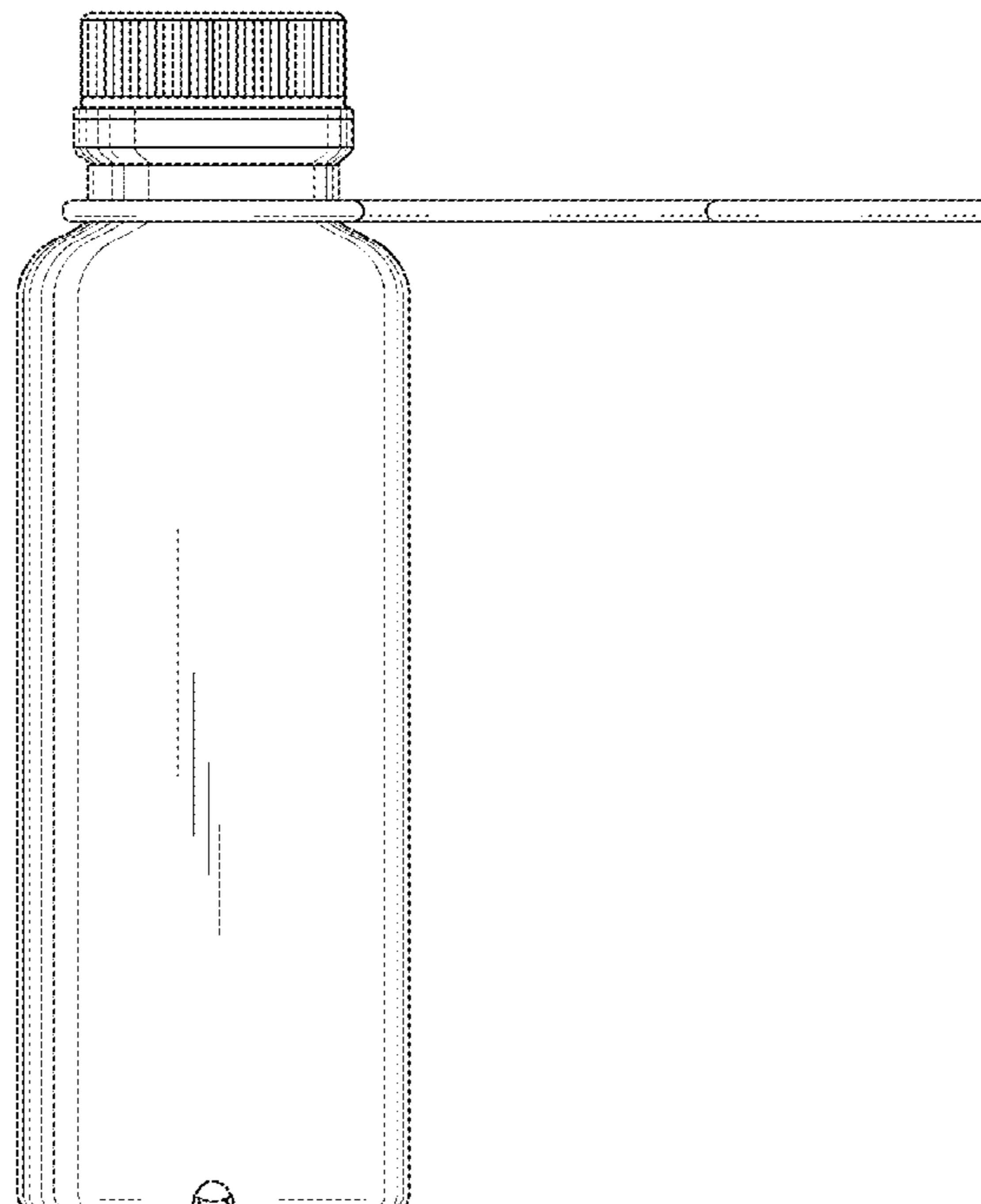


FIG. 1

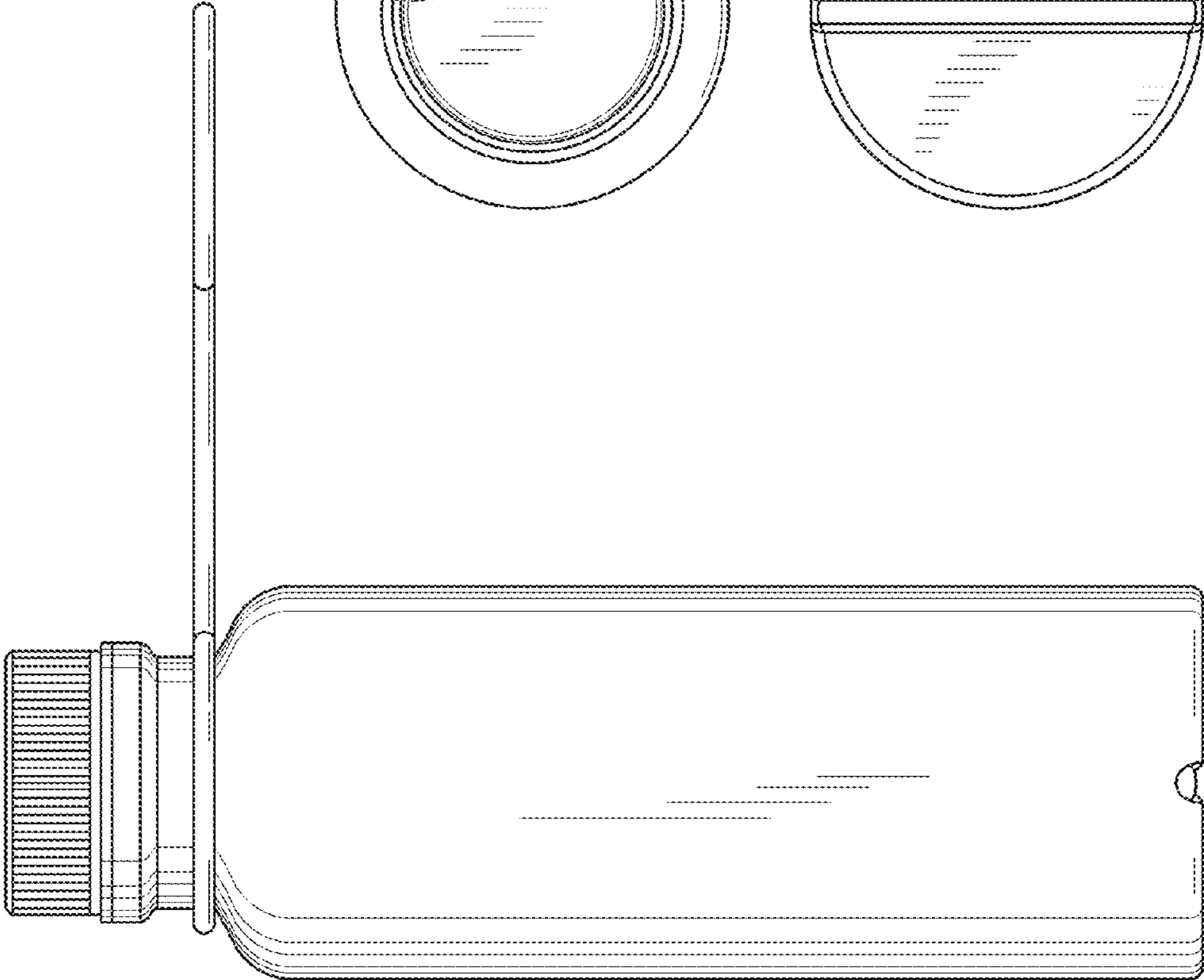


FIG. 2

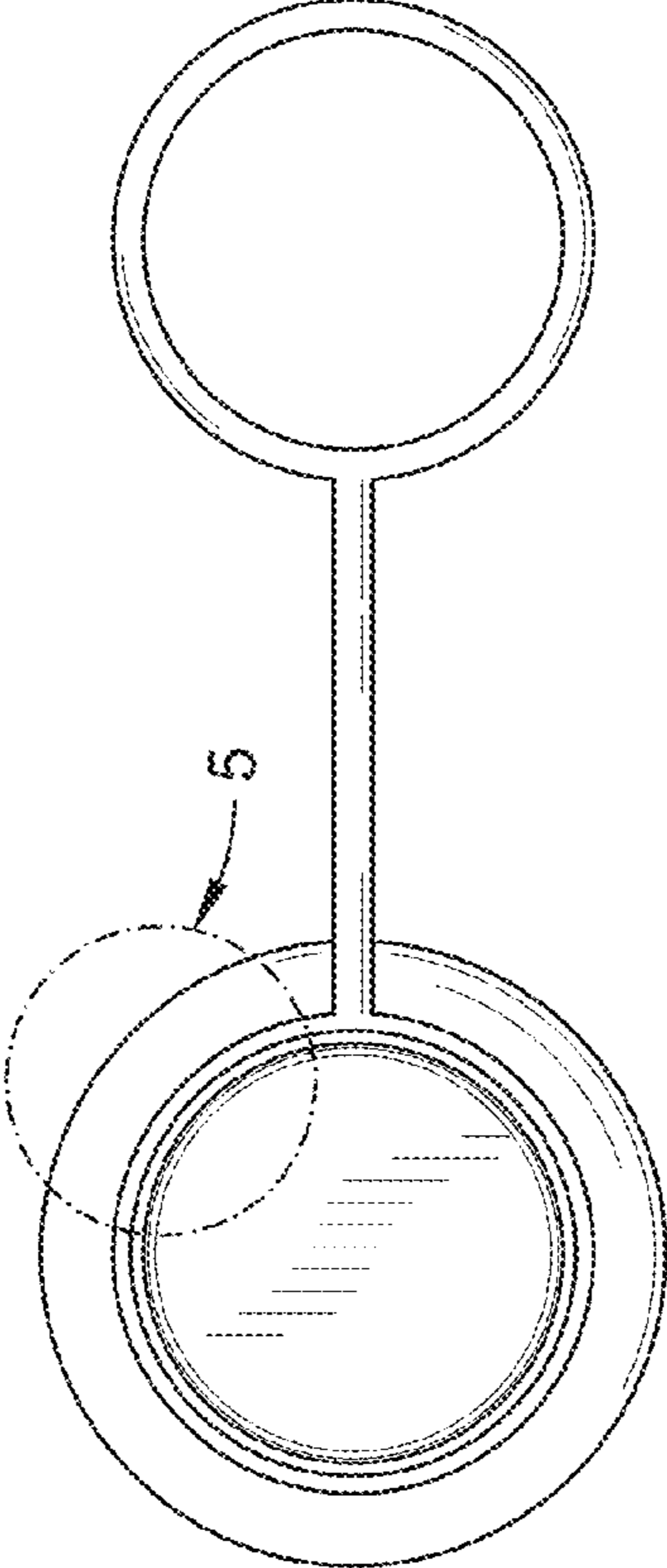


FIG. 3

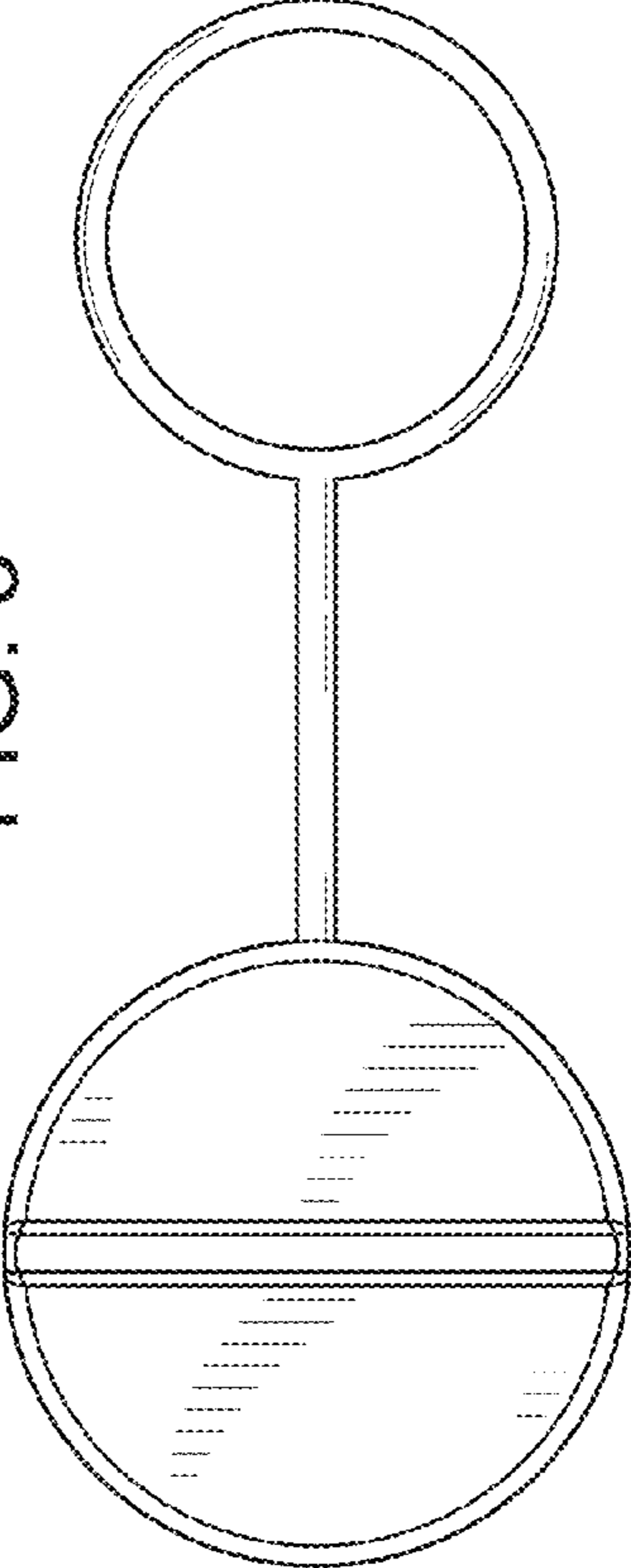


FIG. 6

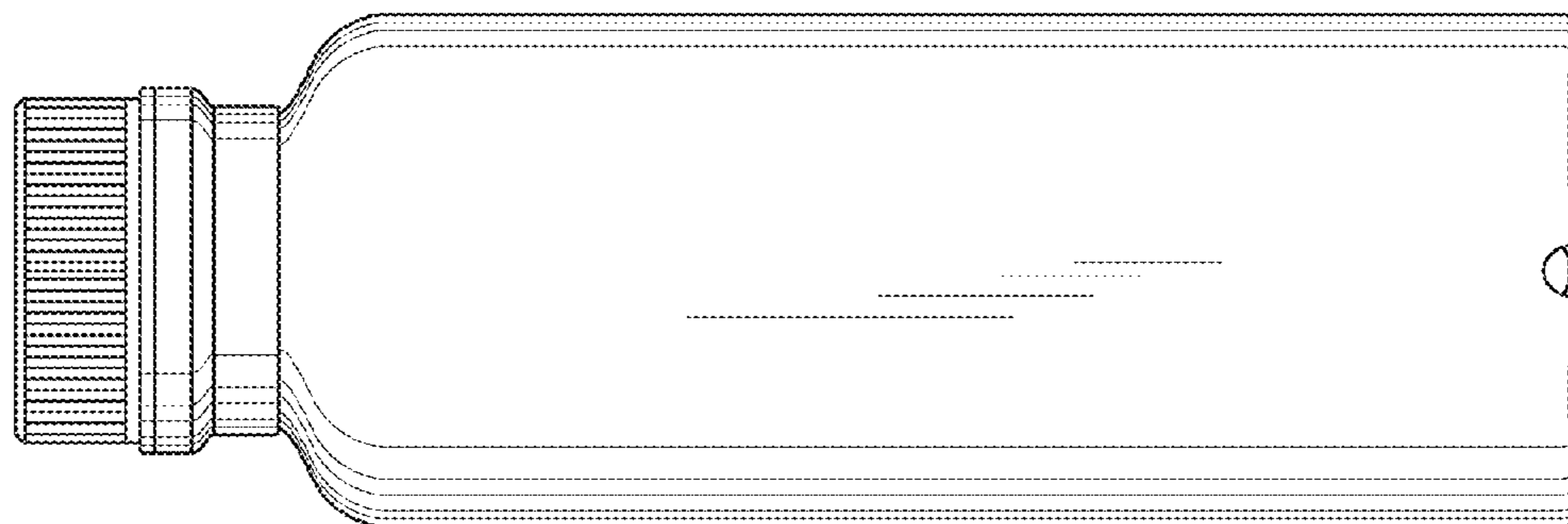


FIG. 4

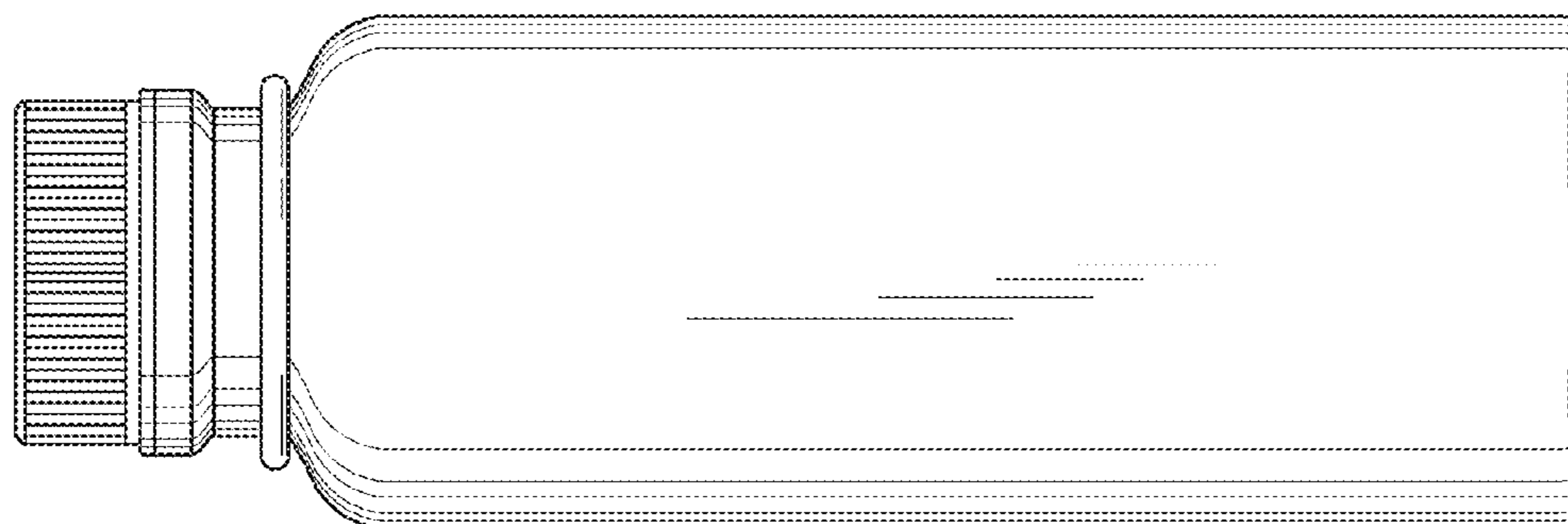


FIG. 5

