



US00D701461S

(12) **United States Design Patent**
Chopdat et al.

(10) **Patent No.:** **US D701,461 S**
(45) **Date of Patent:** **** Mar. 25, 2014**

(54) **DISPENSING DEVICE**

(75) Inventors: **Mohammed Chopdat**, Hull (GB);
Richard Brian Clough, Warwick (GB);
Alex Peacop, Warwick (GB); **Stephanie Ann Marije Verschoor**, Brentford (GB)

(73) Assignee: **Reckitt Benckiser Healthcare International Limited**, Slough, Berkshire (GB)

(**) Term: **14 Years**

(21) Appl. No.: **29/406,529**

(22) Filed: **Nov. 15, 2011**

(30) **Foreign Application Priority Data**

May 23, 2011 (EM) 001867334-0001

(51) **LOC (10) CL.** **09-01**

(52) **U.S. CL.**
USPC **D9/529**; D9/543; D9/565; D9/571;
D9/575

(58) **Field of Classification Search**
USPC D9/682, 686-687, 693-694, 516,
D9/529-530, 542-543, 552, 565, 71,
D9/574-575, 435, 444-445; 215/381-384;
D6/542

See application file for complete search history.

(56) **References Cited**

U.S. PATENT DOCUMENTS

D67,464 S * 6/1925 Johnson D9/552
D97,212 S * 10/1935 Steuernagle D9/552
D100,721 S * 8/1936 Smith D9/565
D204,711 S * 5/1966 Plummer D9/539
D399,429 S * 10/1998 Ramsey D9/539
D480,309 S * 10/2003 Choke-arpornchai et al. D9/516
X

D484,807 S * 1/2004 Cummings D9/529
D538,171 S * 3/2007 Cummings et al. D9/571 X
D538,174 S * 3/2007 Isono et al. D9/565
D573,477 S * 7/2008 Caldwell D9/540
D582,782 S * 12/2008 Toson D9/552
D588,921 S * 3/2009 Williams D9/537
D592,515 S * 5/2009 Francis et al. D9/529
D593,867 S * 6/2009 Sparks et al. D9/552
D595,587 S * 7/2009 Hadden et al. D9/542
RE41,055 E * 12/2009 Choke-arpornchai et al. D9/522
D617,202 S * 6/2010 Kuzma et al. D9/542
D619,010 S * 7/2010 Wasson et al. D9/538
D635,861 S * 4/2011 Caldwell D9/552 X
D644,520 S * 9/2011 Howell et al. D9/543 X
D644,521 S * 9/2011 Howell et al. D9/571 X
D644,525 S * 9/2011 Howell et al. D9/529 X
D658,066 S * 4/2012 Melrose et al. D9/539
D658,915 S * 5/2012 Fernandes et al. D6/542
D692,766 S * 11/2013 Oates et al. D9/565 X
D694,587 S * 12/2013 Slocumb et al. D7/590

* cited by examiner

Primary Examiner — Carol P Rademaker

(74) *Attorney, Agent, or Firm* — Troutman Sanders LLP;
Ryan A. Schneider, Esq.

(57) **CLAIM**

The ornamental design for a dispensing device, as shown and described.

DESCRIPTION

FIG. 1 is a bottom, front, left side perspective view of a dispensing device according of the present invention, shown in inverted position;

FIG. 2 is a front elevational view thereof;

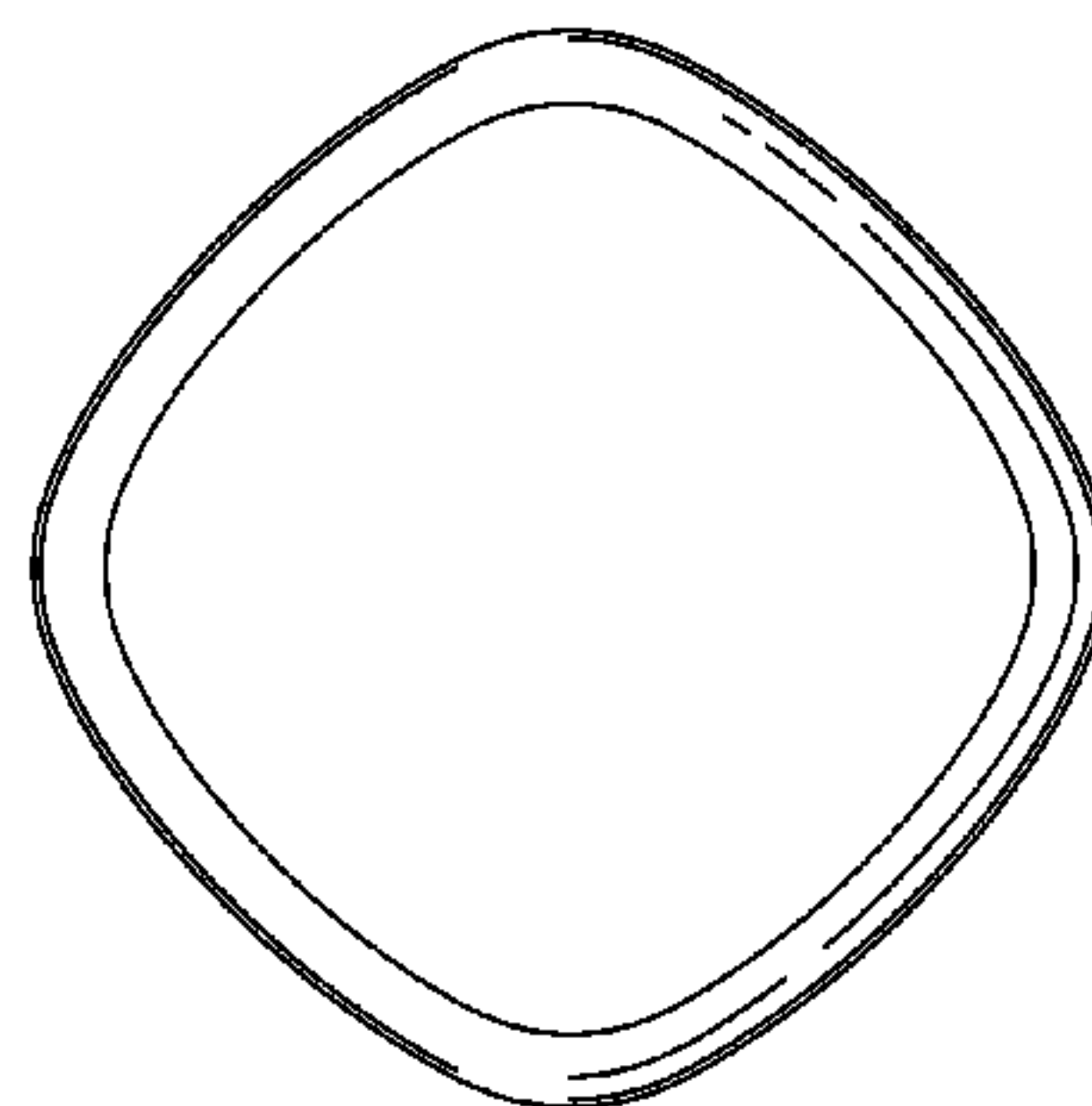
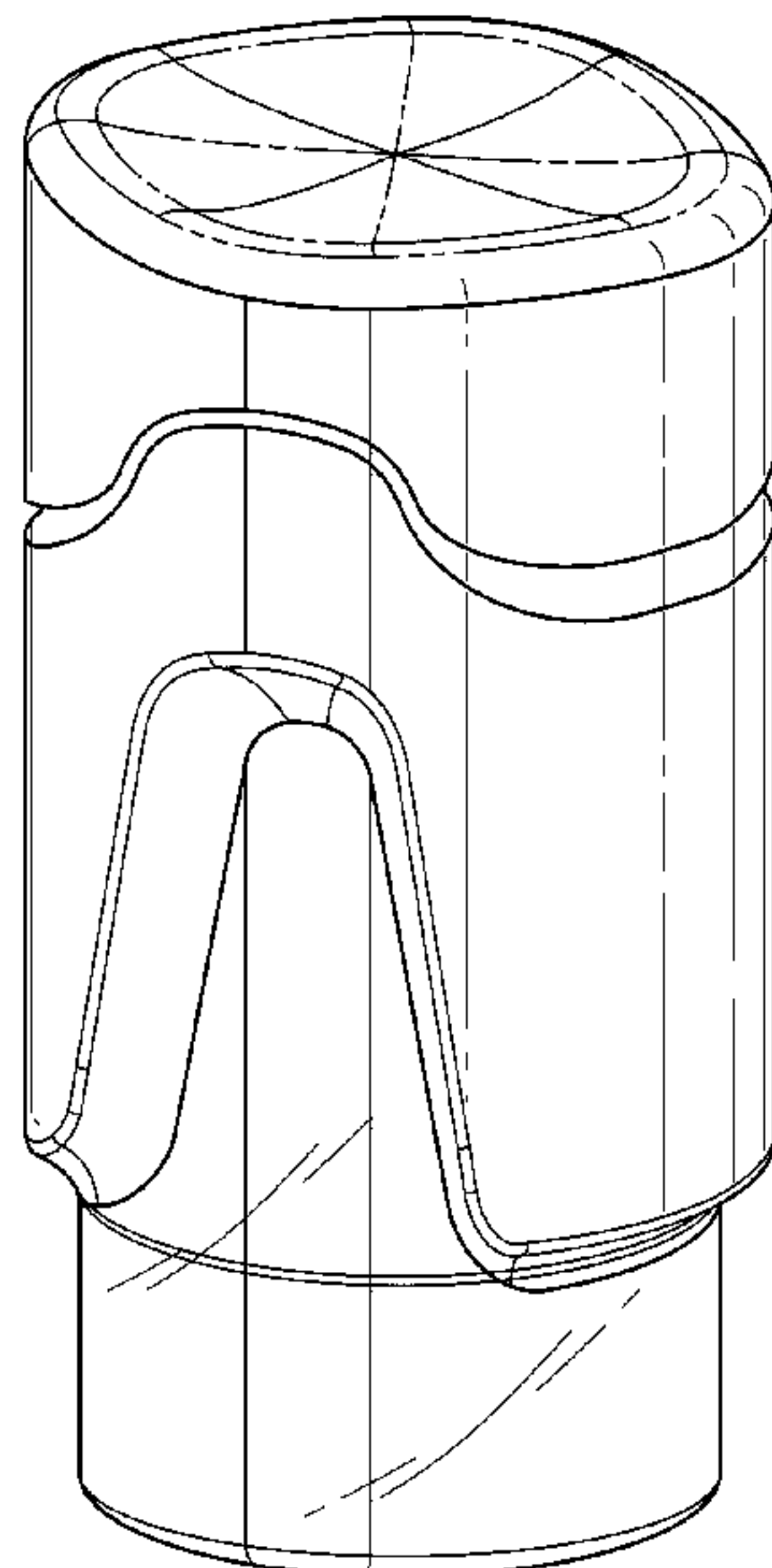
FIG. 3 is a back elevational view thereof;

FIG. 4 is a left side elevational view thereof;

FIG. 5 is a right side elevational view thereof; and,

FIG. 6 is a top plan view thereof.

1 Claim, 6 Drawing Sheets



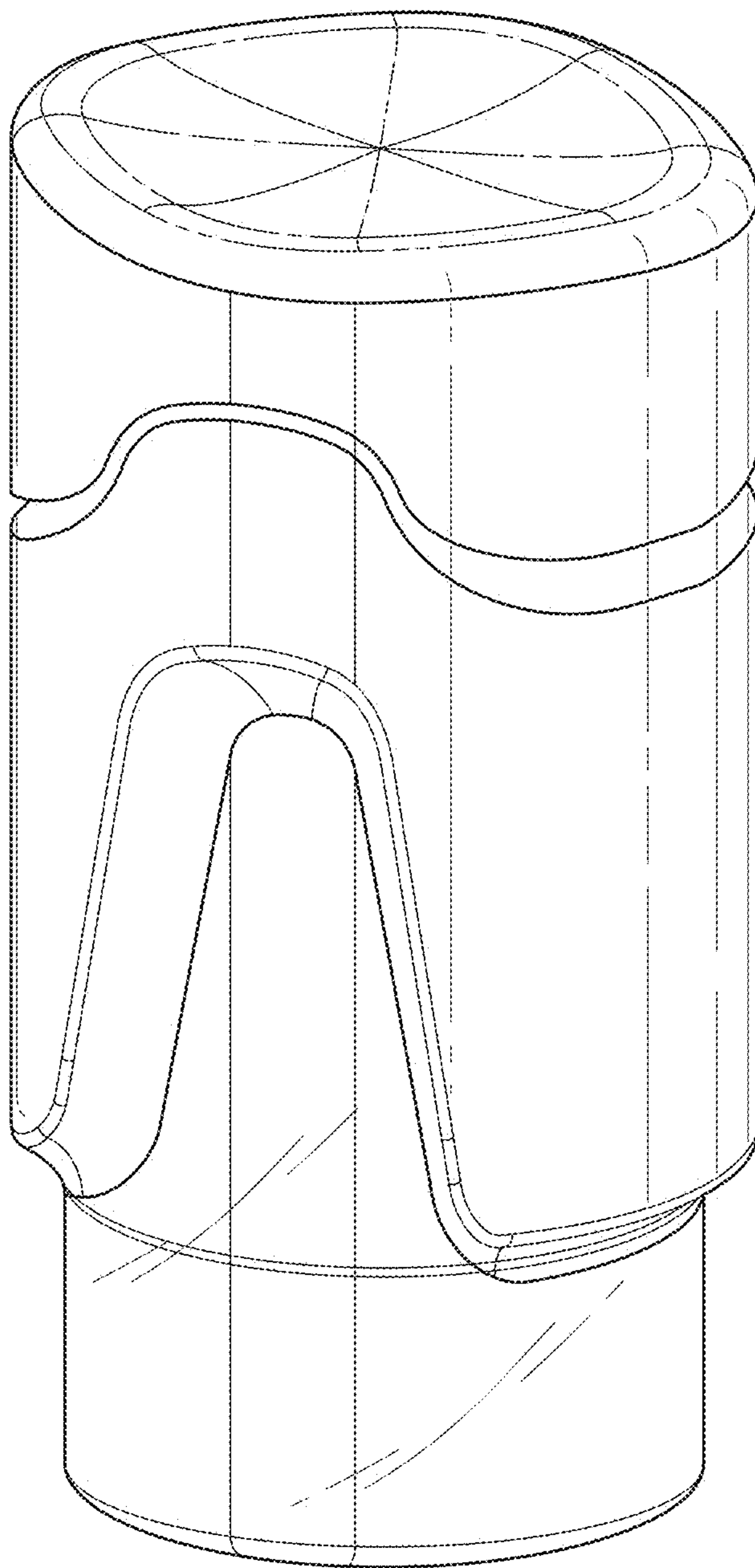


Fig. 1

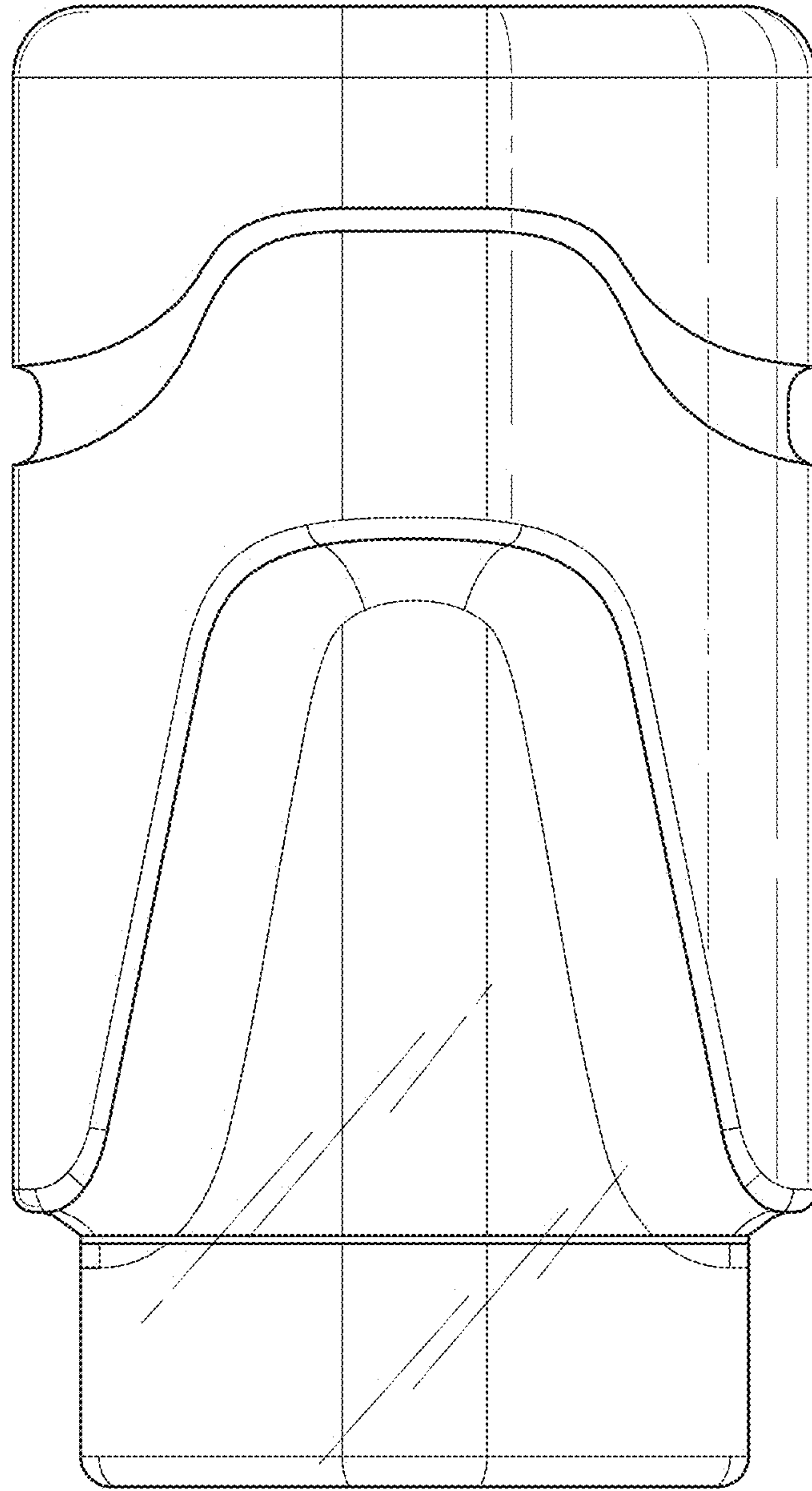


Fig. 2

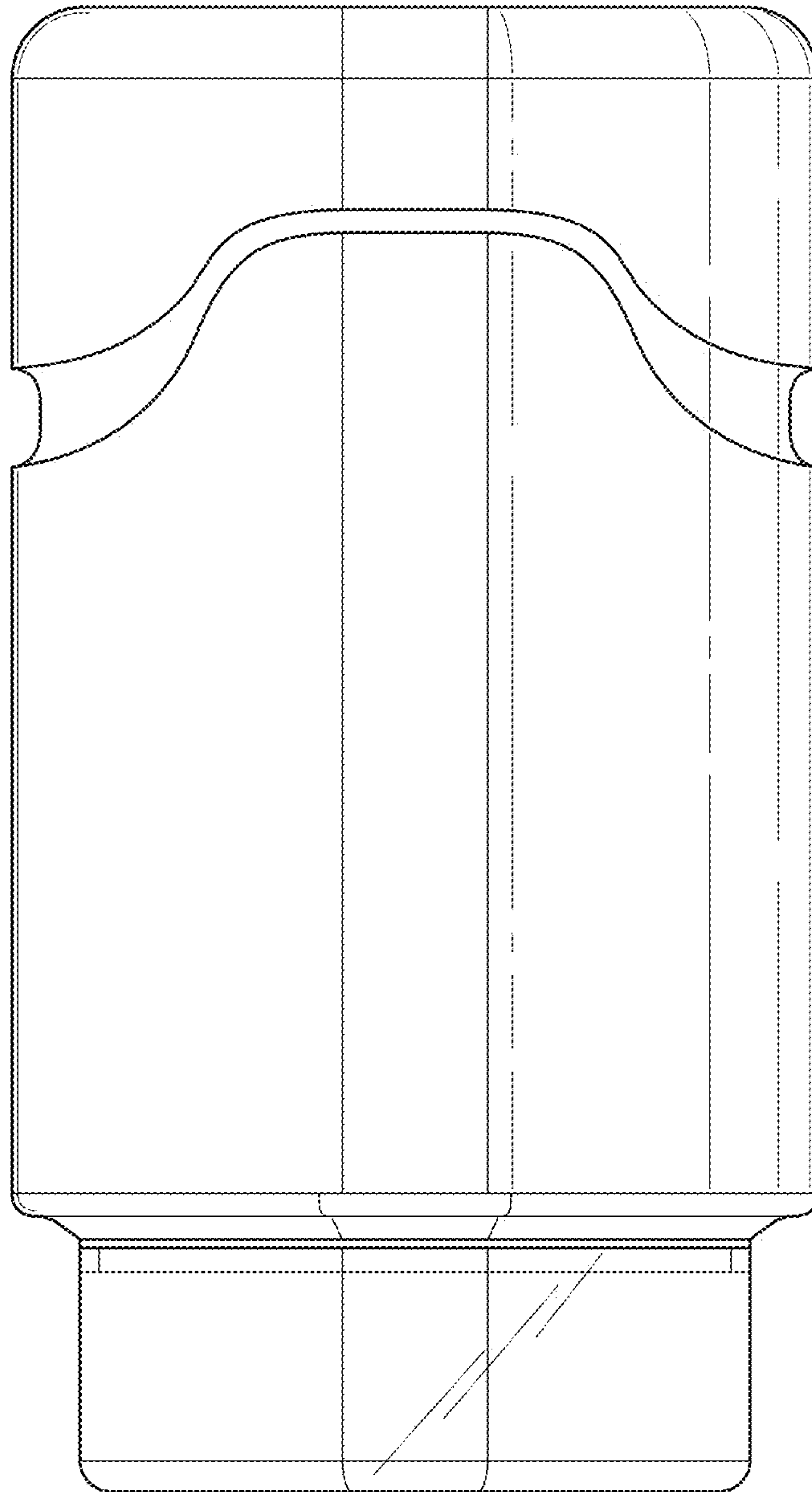


Fig. 3

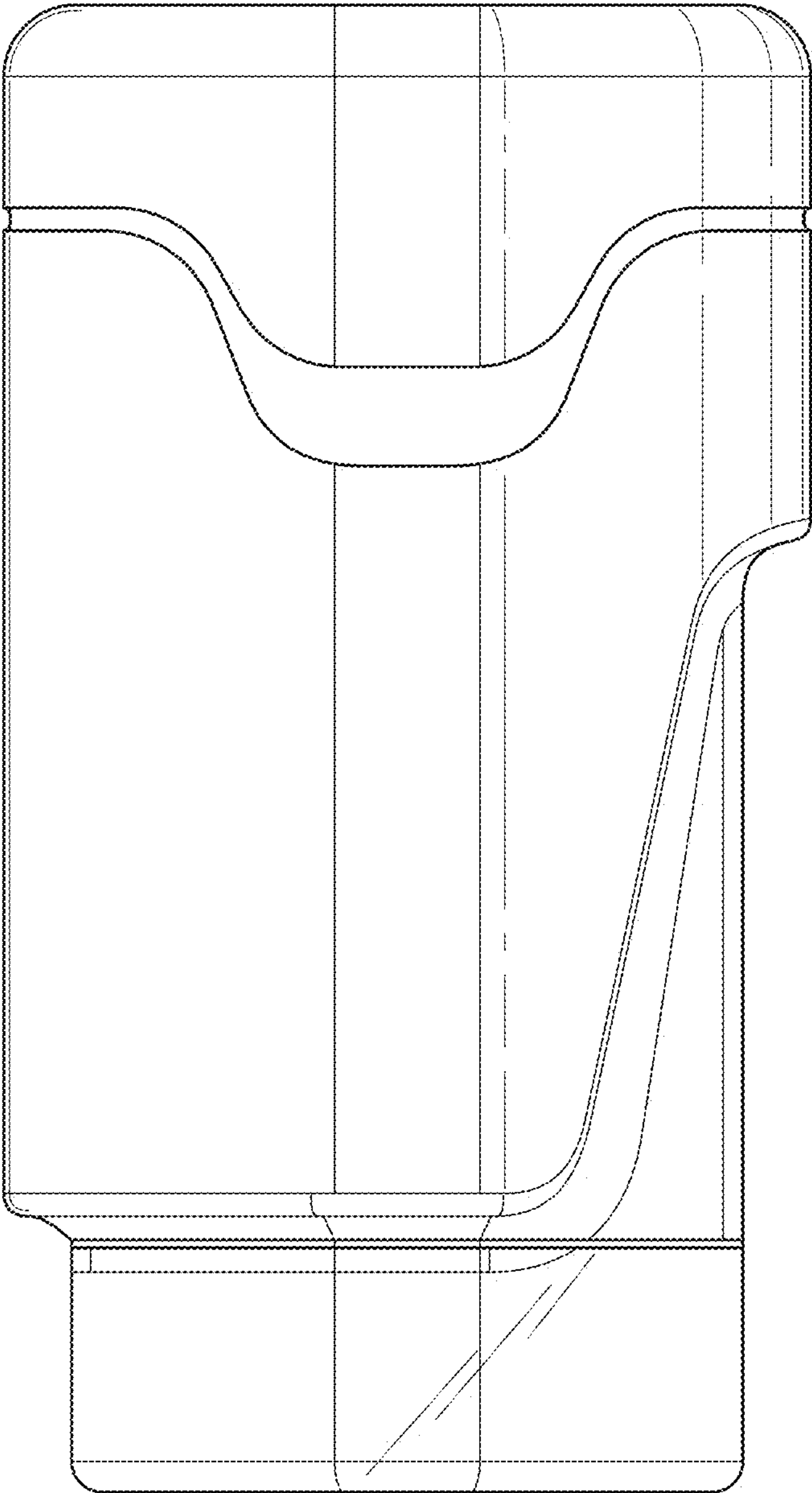


Fig. 4

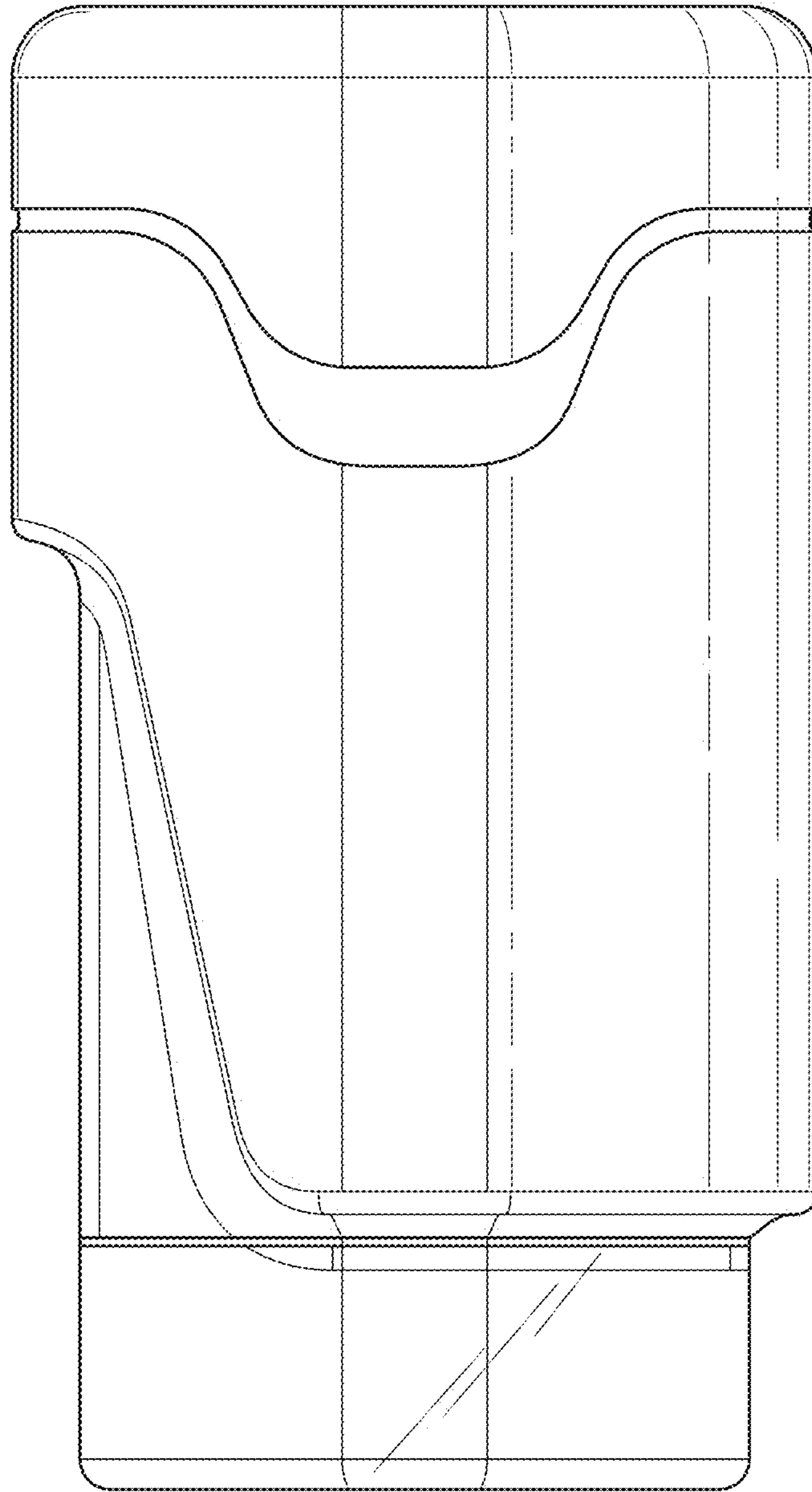


Fig. 5

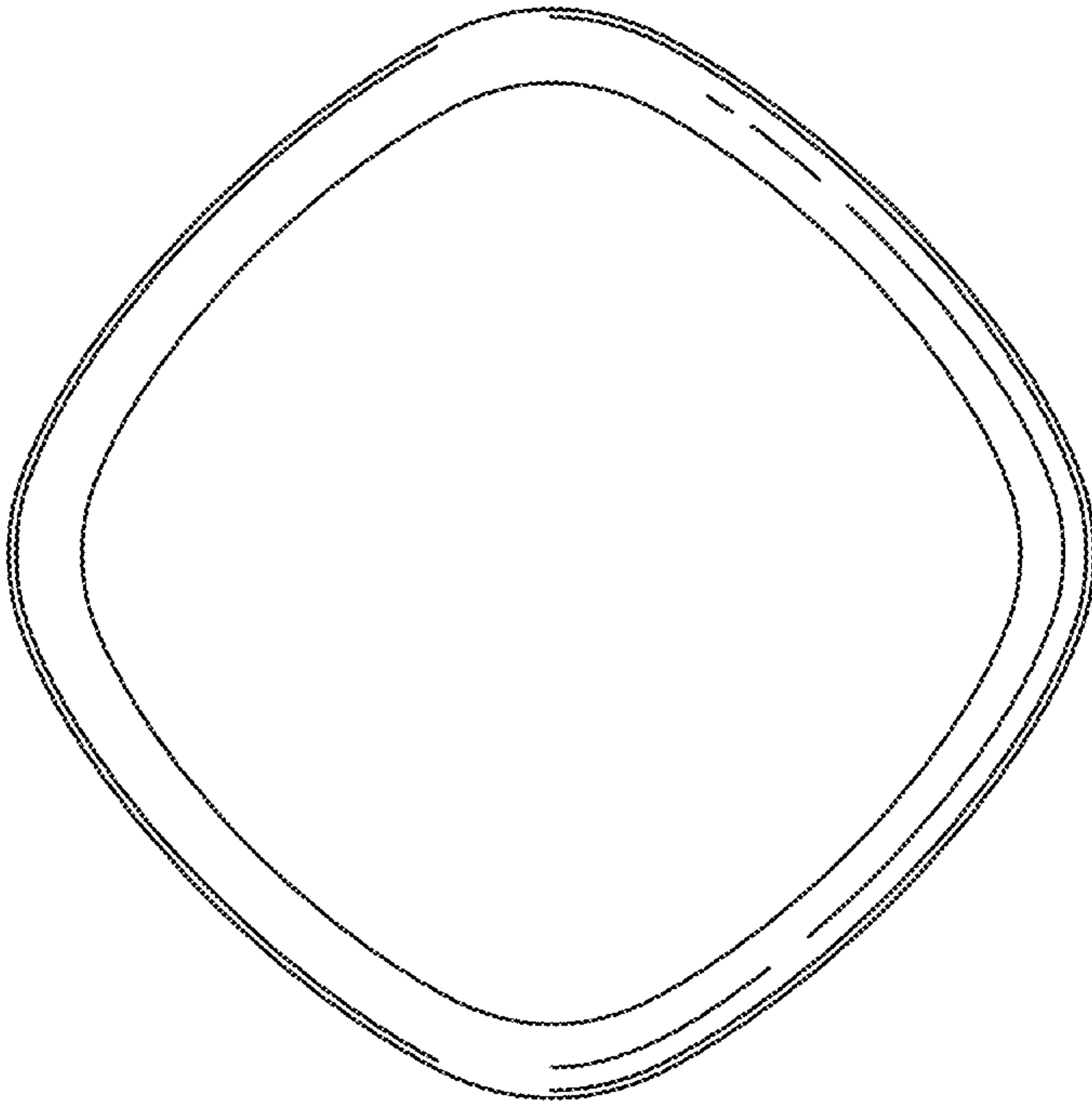


Fig. 6