



US00D701458S

(12) **United States Design Patent**
Gortot et al.

(10) **Patent No.:** **US D701,458 S**
(45) **Date of Patent:** **** Mar. 25, 2014**

- (54) **MEDICINE DOSING INDICATOR**
- (71) Applicants: **Alexandrea Christine Gortot**, Valrico, FL (US); **LaQuita Michelle Barnhart**, St Johns, FL (US)
- (72) Inventors: **Alexandrea Christine Gortot**, Valrico, FL (US); **LaQuita Michelle Barnhart**, St Johns, FL (US)
- (**) Term: **14 Years**
- (21) Appl. No.: **29/460,569**
- (22) Filed: **Jul. 12, 2013**
- (51) **LOC (10) Cl.** **09-07**
- (52) **U.S. Cl.**
USPC **D9/434**
- (58) **Field of Classification Search**
USPC D9/434-436, 440, 454, 455; D7/398;
D20/22, 28, 40; 40/310; 116/308, 309
See application file for complete search history.

D606,861 S *	12/2009	Pavlinac	D9/434
D631,515 S *	1/2011	Wilkinson et al.	D20/28
D640,327 S *	6/2011	Gorzo	D20/22
D653,107 S *	1/2012	Margan	D9/434

* cited by examiner

Primary Examiner — Susan Bennett Hattan
Assistant Examiner — Brett Miller
(74) *Attorney, Agent, or Firm* — Steven N. Fox, Esq.

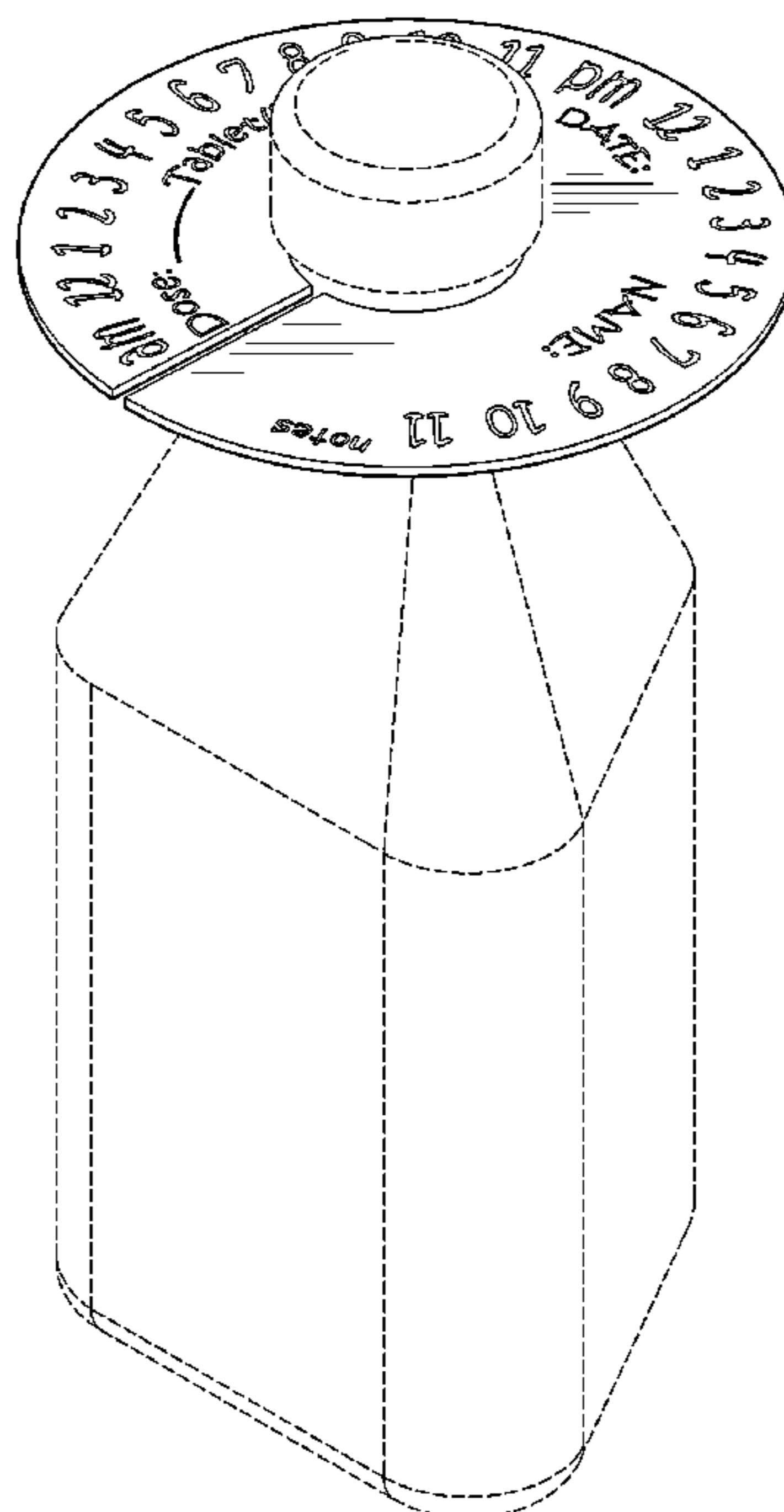
- (56) **References Cited**
U.S. PATENT DOCUMENTS
- | | | | | |
|----------------|---------|------------|-------|----------|
| 1,353,531 A * | 9/1920 | Heard | | 40/310 |
| 1,659,325 A * | 2/1928 | Merrell | | 40/310 |
| 2,340,719 A * | 2/1944 | Walter | | 40/310 |
| D365,024 S * | 12/1995 | DuBow | | D9/434 |
| D421,849 S * | 3/2000 | Willardson | | D20/28 |
| D426,267 S * | 6/2000 | Bush | | D20/28 |
| 6,321,473 B1 * | 11/2001 | Klabunde | | 40/310 |
| D505,588 S * | 5/2005 | Wax | | D7/396.2 |
| 7,621,231 B2 * | 11/2009 | McNeely | | 116/308 |

(57) **CLAIM**
The ornamental design for a medicine dosing indicator, as shown and described.

DESCRIPTION

FIG. 1 is a perspective view of a medicine dosing indicator according to the present invention shown mounted to a neck of a container;
FIG. 2 is a top view of the medicine dosing indicator according to the present invention;
FIG. 3 is a front thereof;
FIG. 4 is a rear view thereof; and,
FIG. 5 is a left side view thereof; the right side view being a mirror image thereof.
The bottom view of the medicine dosing indicator forms no part of the claimed design.
The broken lines in the drawings illustrate environmental structure and form no part of the claimed design.

1 Claim, 2 Drawing Sheets



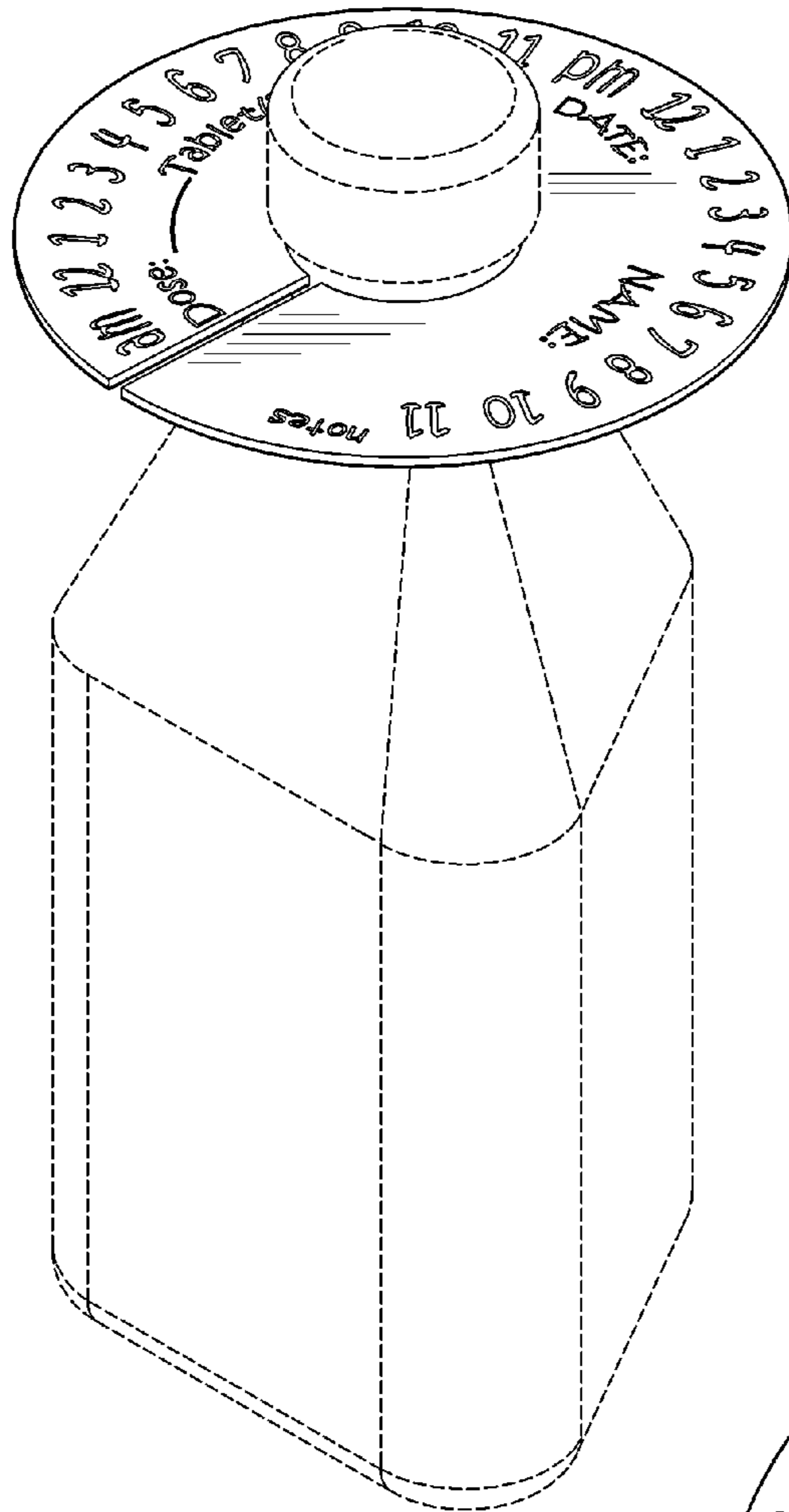


FIG. 1

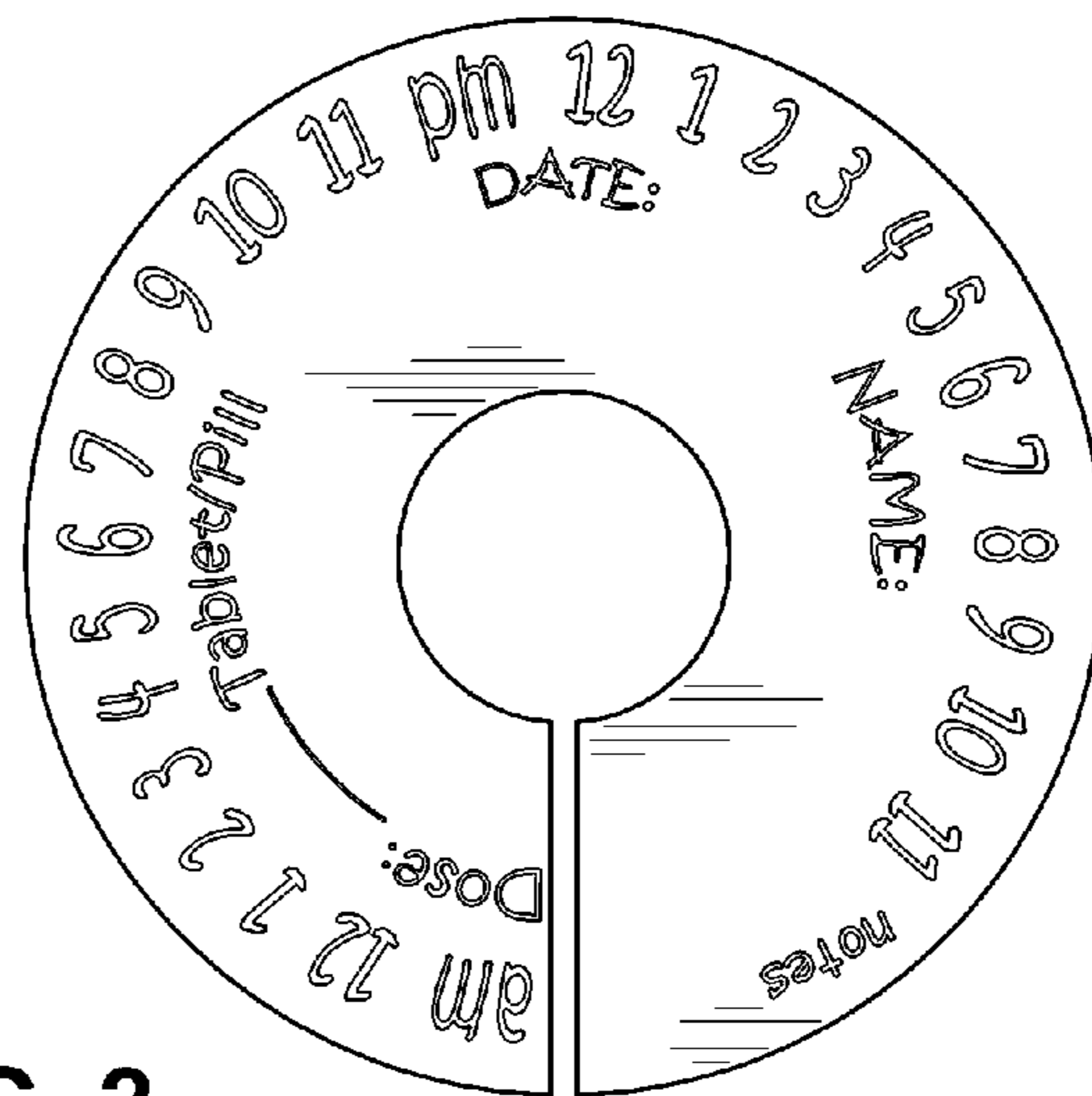


FIG. 2



FIG. 3

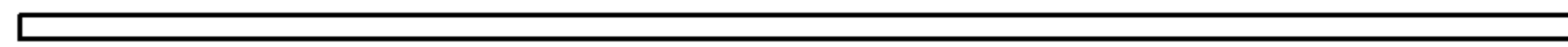


FIG. 4

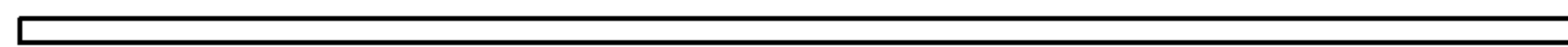


FIG. 5