



US00D701457S

(12) **United States Design Patent**
Murphy et al.

(10) **Patent No.:** **US D701,457 S**
(45) **Date of Patent:** **** *Mar. 25, 2014**

(54) **FOOD CONTAINER**

(71) Applicant: **Direct Pack, Inc.**, Sun Valley, CA (US)

(72) Inventors: **Laura A. Murphy**, Laguna Beach, CA (US); **Gandhi B. Sifuentes**, West Covina, CA (US)

(73) Assignee: **Direct Pack, Inc.**, Sun Valley, CA (US)

(*) Notice: This patent is subject to a terminal disclaimer.

(**) Term: **14 Years**

(21) Appl. No.: **29/449,468**

(22) Filed: **Mar. 15, 2013**

(51) **LOC (10) Cl.** **09-03**

(52) **U.S. Cl.**
USPC **D9/426**

(58) **Field of Classification Search**
USPC D9/424-432, 730; 206/503, 521.1, 541, 206/564; D3/203.2, 294; D7/601, 602, 629, D7/538-542; 220/780-806, 574-575, 220/4.24, 23.8, 23.83, 315, 324, 326, 367, 220/556, 835

See application file for complete search history.

(56) **References Cited**

U.S. PATENT DOCUMENTS

D254,776 S * 4/1980 Edwards D9/426
4,976,370 A * 12/1990 Cassel 220/792

D407,014 S * 3/1999 McCann D9/423
5,947,321 A * 9/1999 Vadney 220/367.1
D527,956 S * 9/2006 Doliwa D7/629
D554,498 S * 11/2007 Lovett D9/425
D573,411 S * 7/2008 Lovett D7/554.3
D609,531 S * 2/2010 Koennecke D7/584
D628,474 S * 12/2010 Snedden et al. D9/426
D628,475 S * 12/2010 Snedden et al. D9/426
D665,674 S * 8/2012 Wu D9/730
D678,763 S * 3/2013 Tyberghein D9/426
D684,466 S * 6/2013 Wichmann D9/432

* cited by examiner

Primary Examiner — Thomas Johannes

(74) *Attorney, Agent, or Firm* — Frost Brown Todd LLC

(57) **CLAIM**

The ornamental design for a food container, as shown and described.

DESCRIPTION

FIG. 1 is a top perspective exploded view of a food container revealing the top side of the lid and the inside of the deep bowl, showing our new design;

FIG. 2 is a bottom perspective view thereof revealing the bottom side of the lid and the bottom side of the deep bowl;

FIG. 3 is a left elevational view thereof;

FIG. 4 is a right elevational view thereof;

FIG. 5 is a front elevational view thereof;

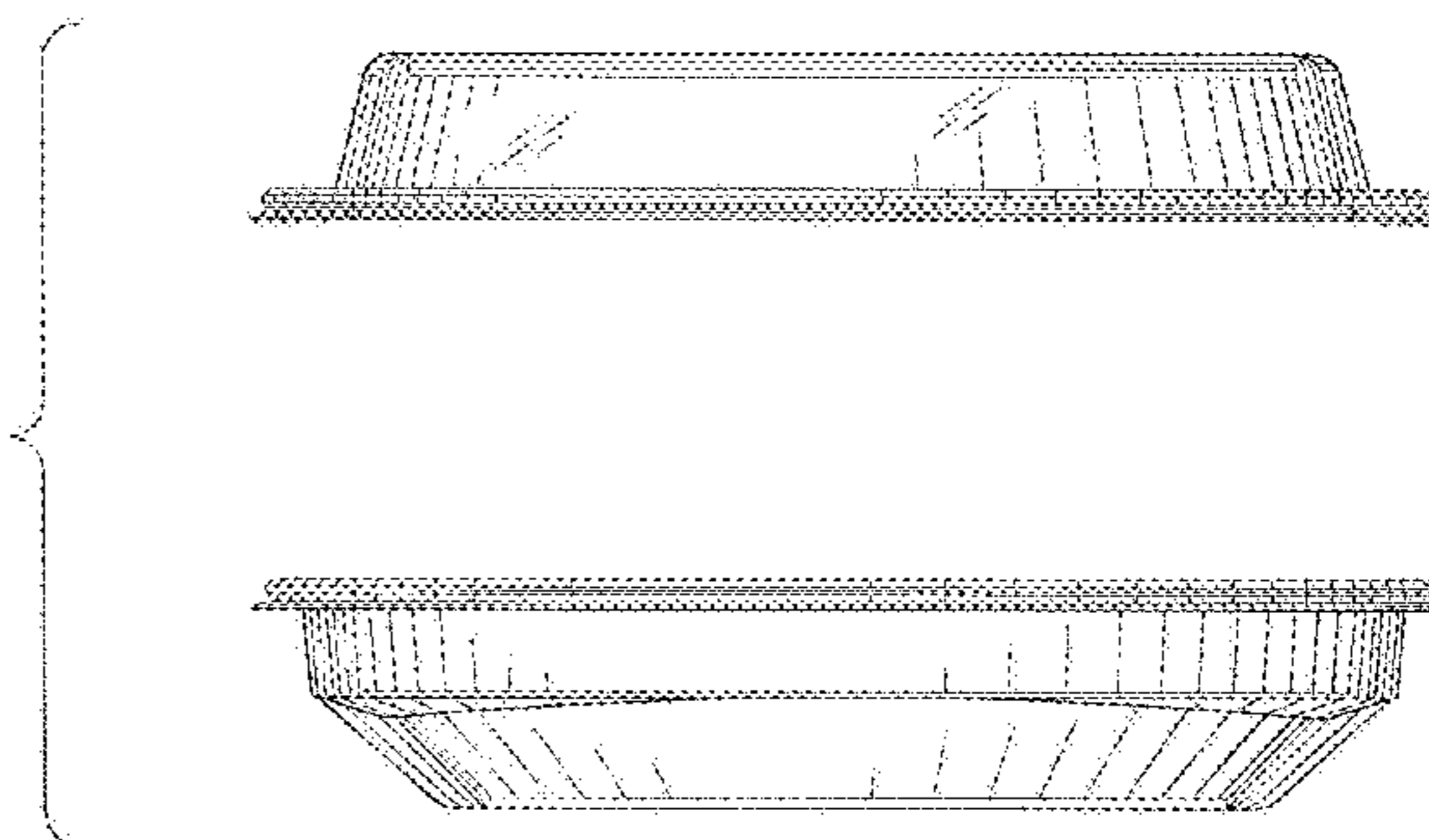
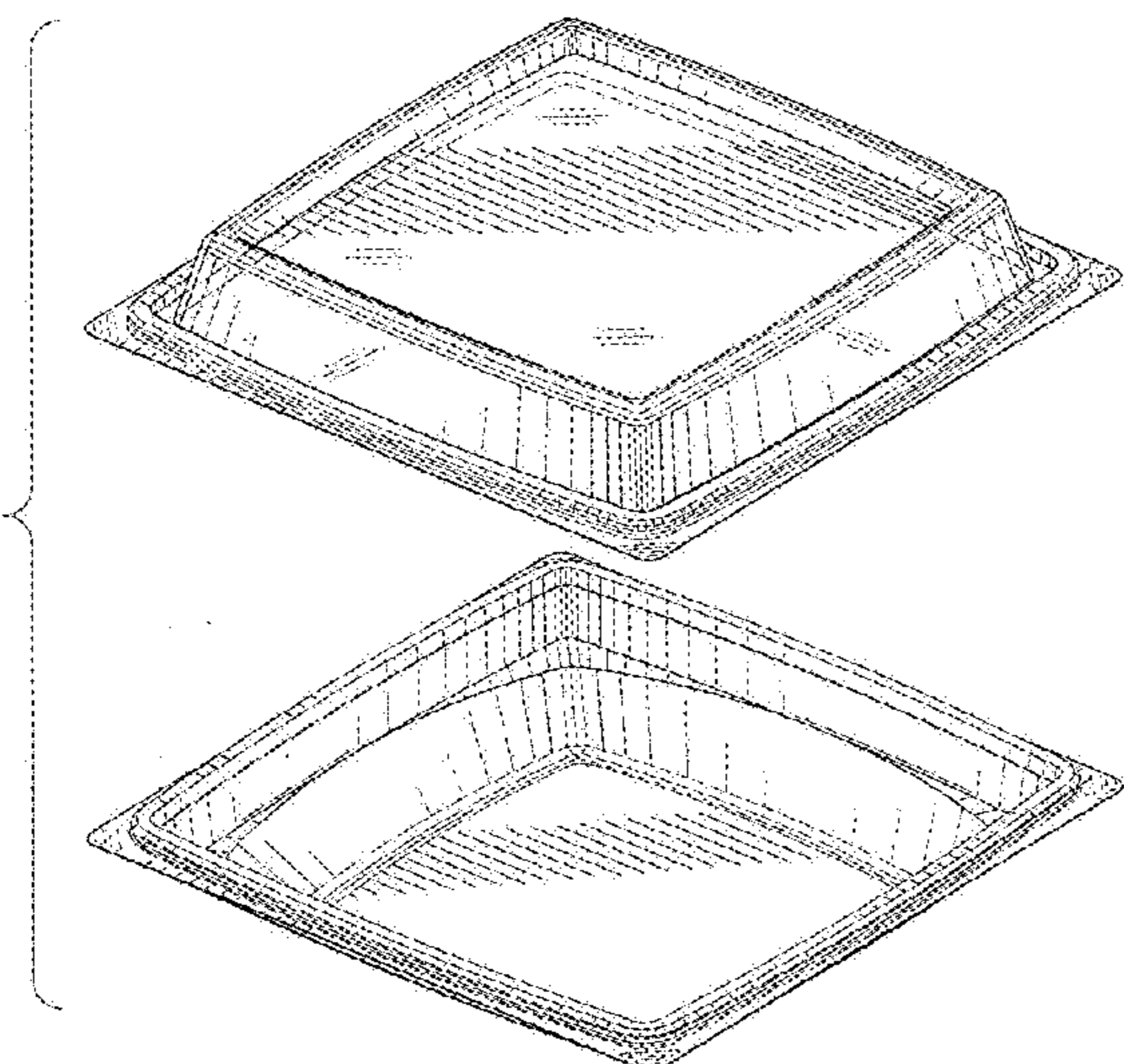
FIG. 6 is a back elevational view thereof;

FIG. 7 is a top plan view thereof; and,

FIG. 8 is a bottom plan view thereof.

The container portions shown in broken lines are unclaimed environment and do not form a part of the claimed design.

1 Claim, 8 Drawing Sheets



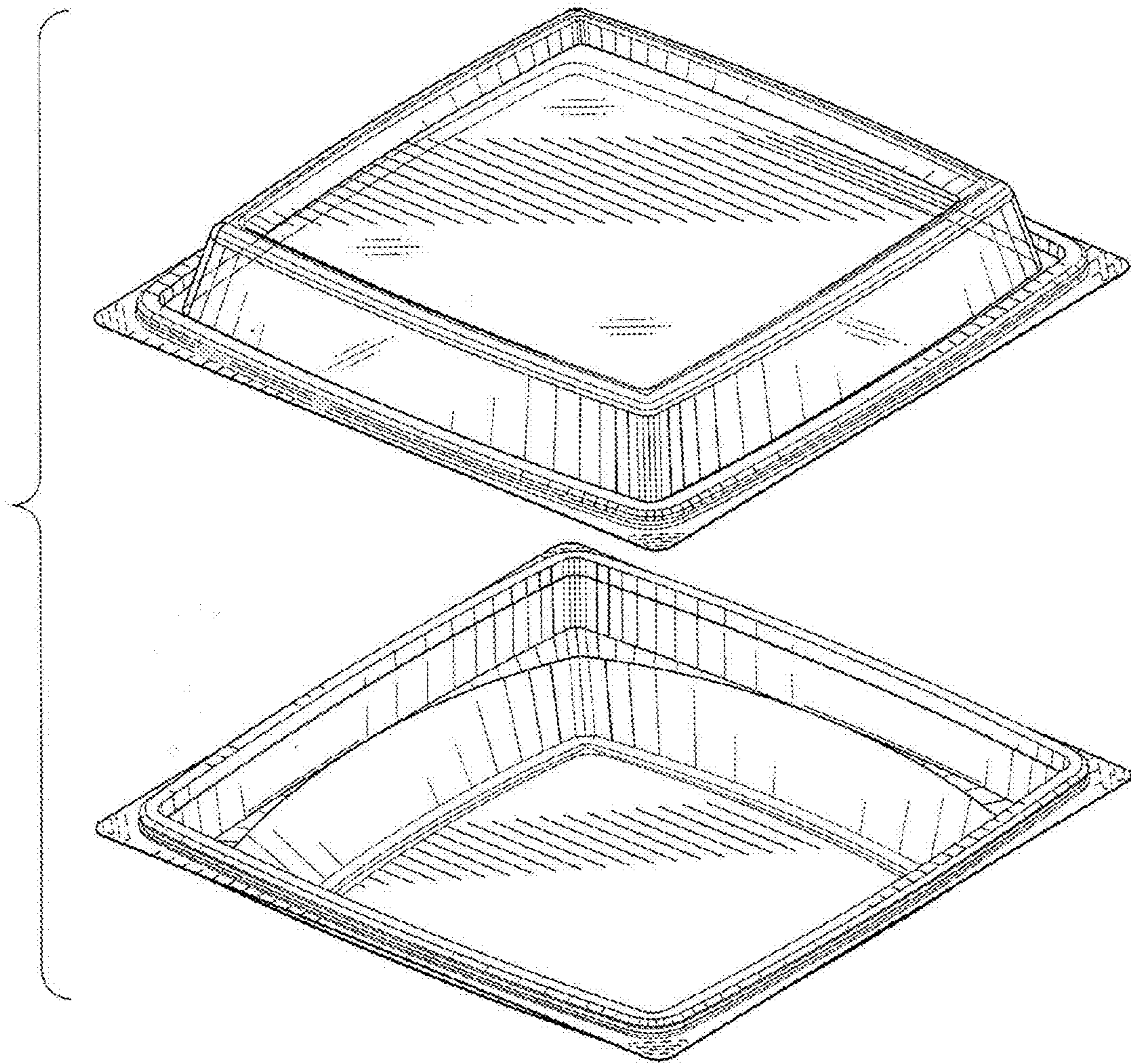


Fig. 1

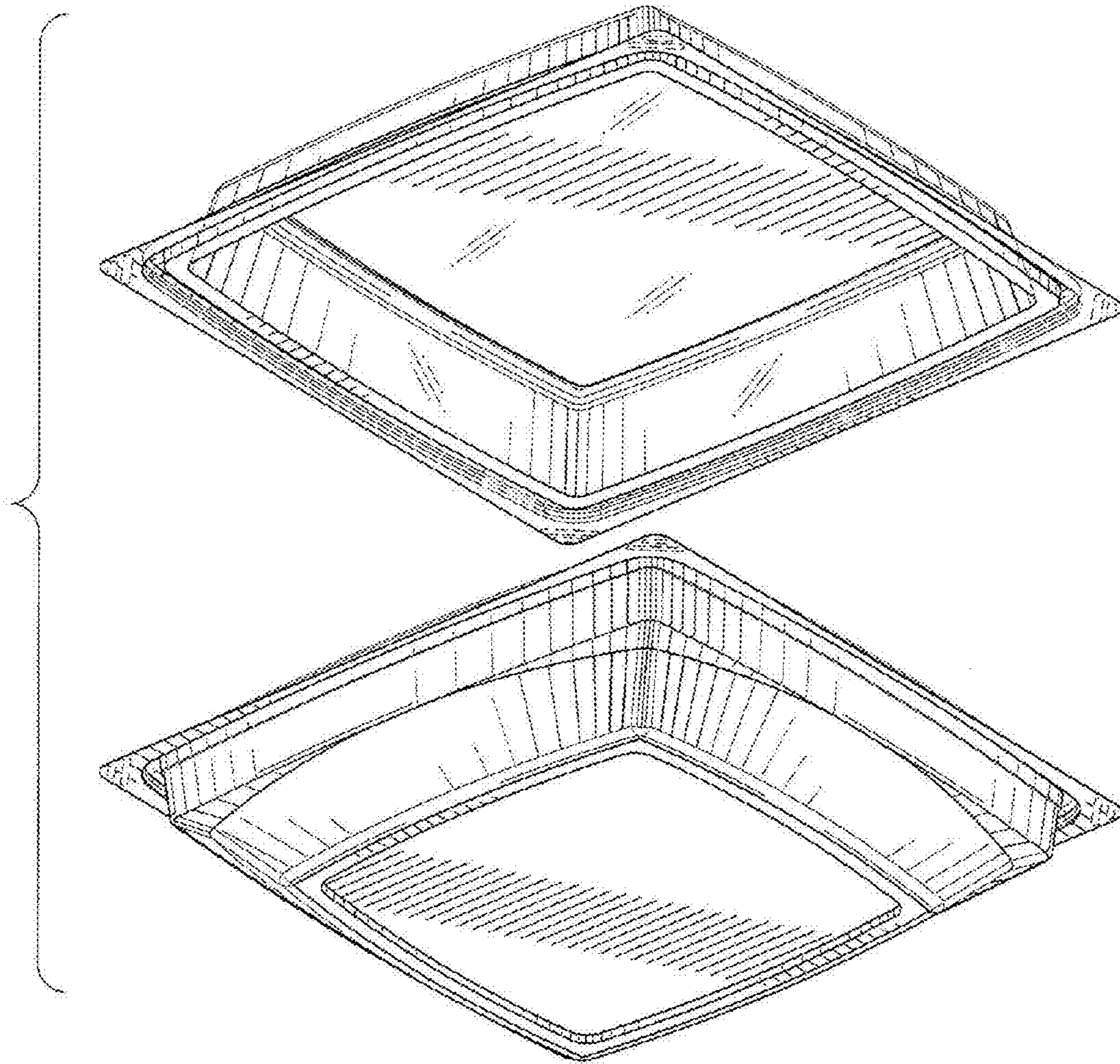


Fig.2

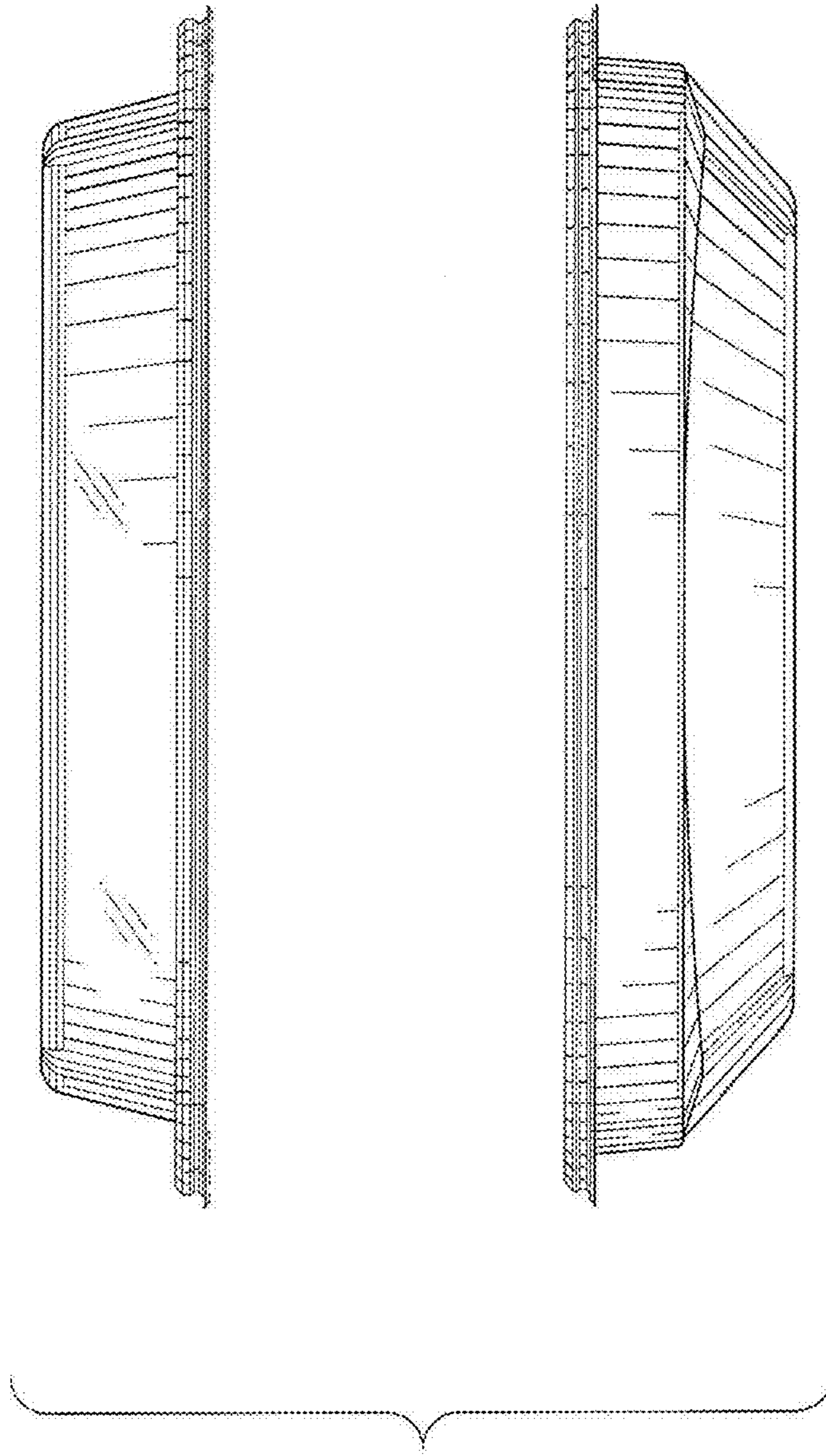


Fig. 3

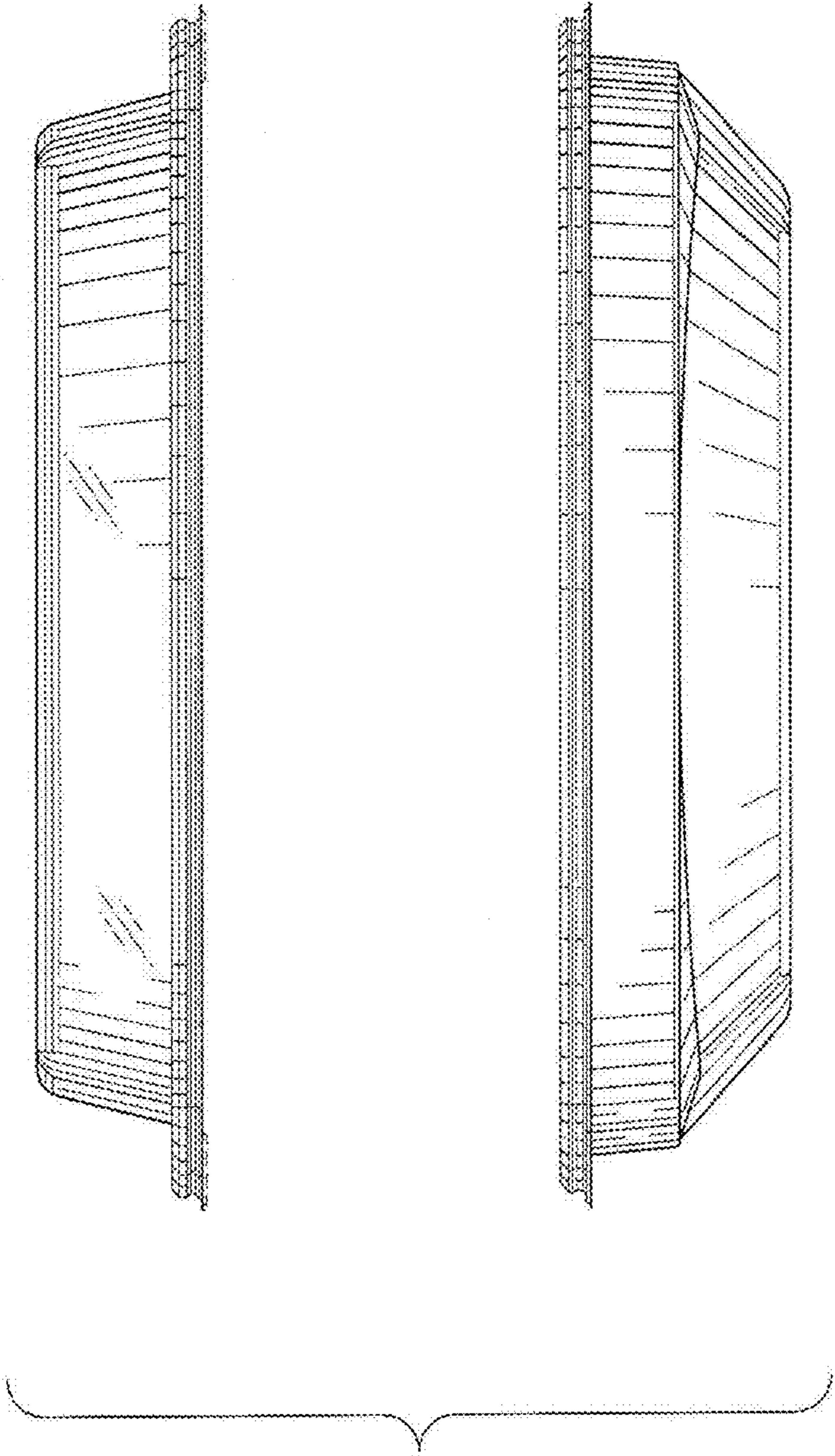


Fig. 4

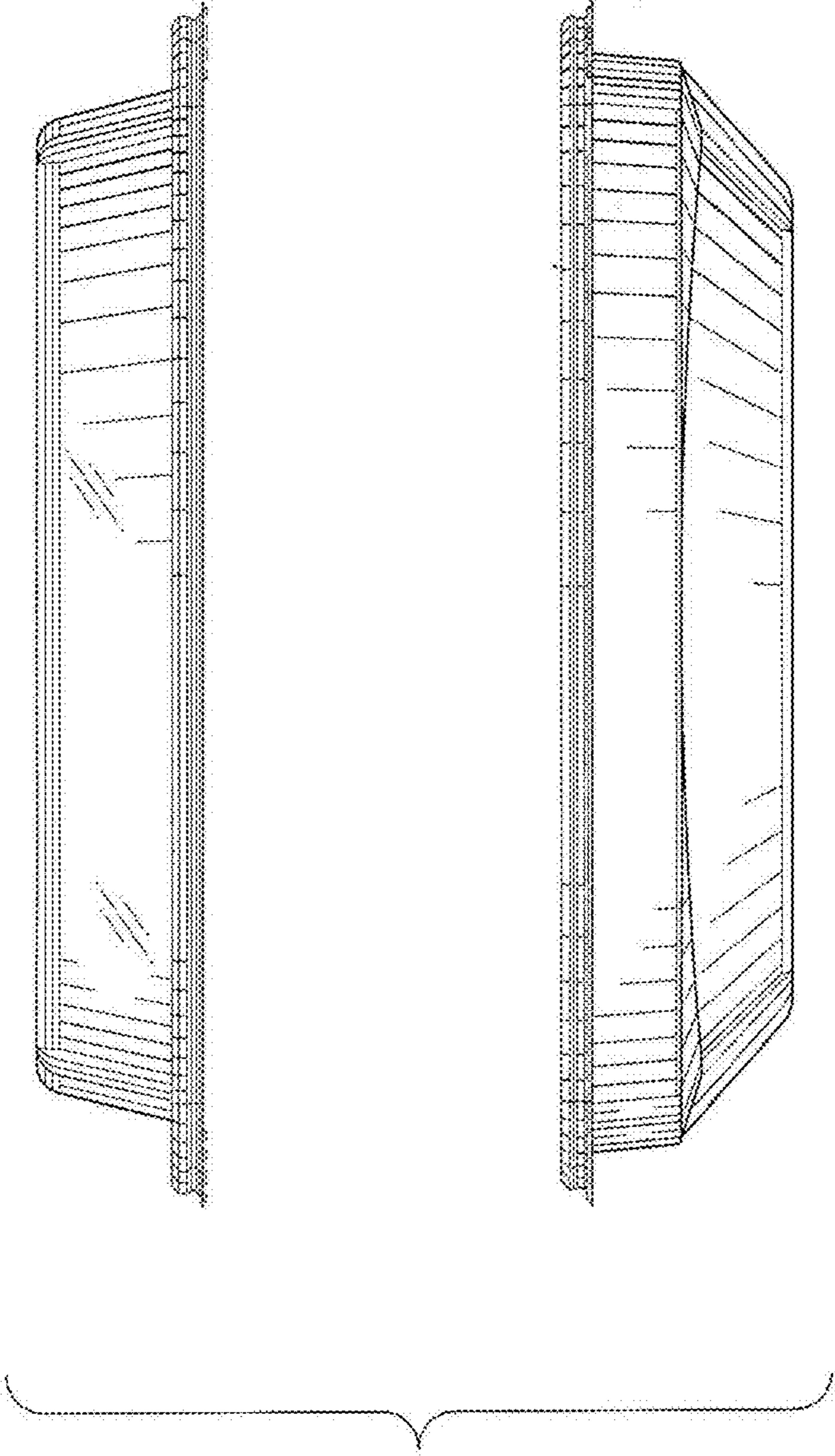


Fig. 5

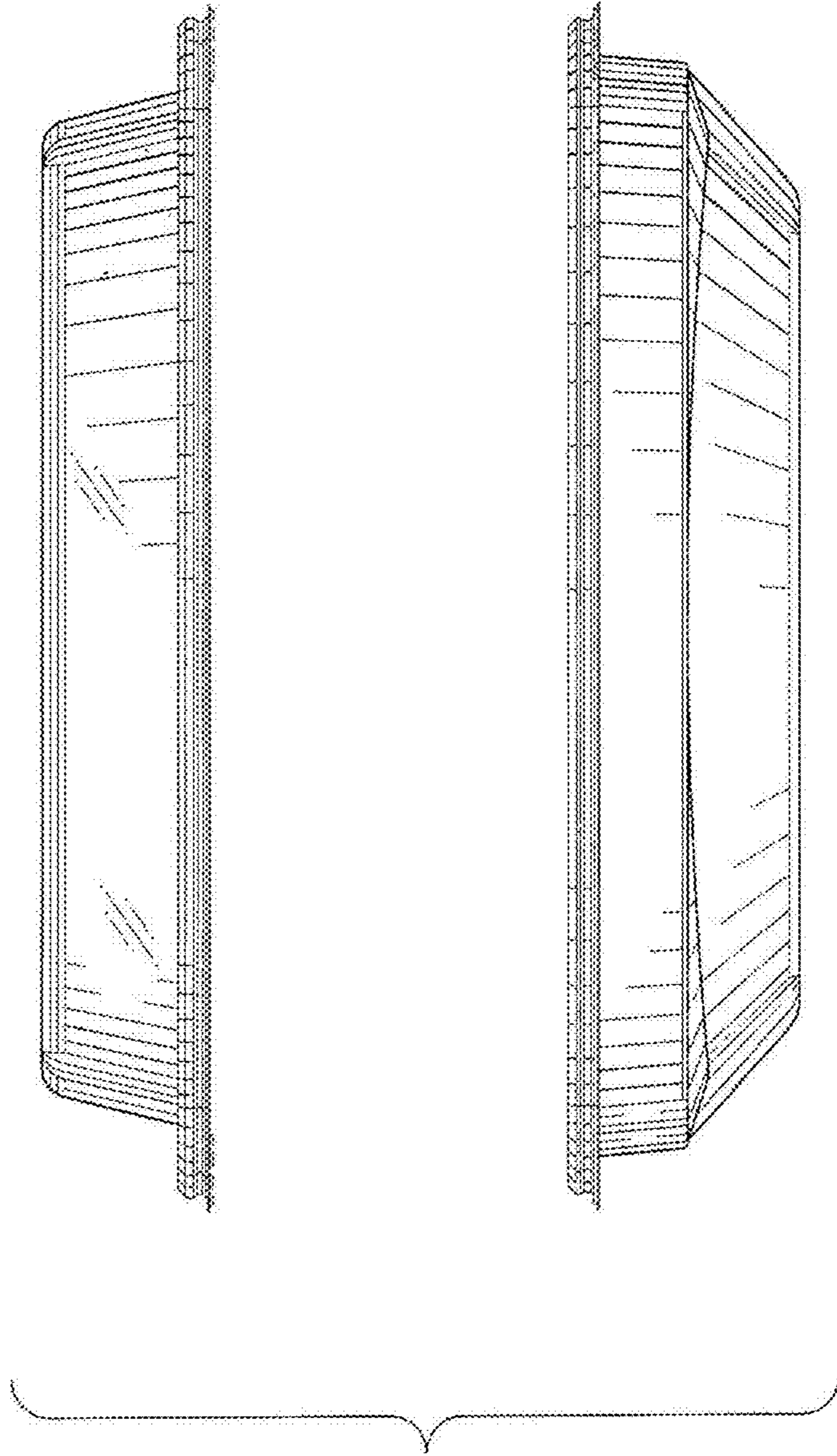


Fig. 6

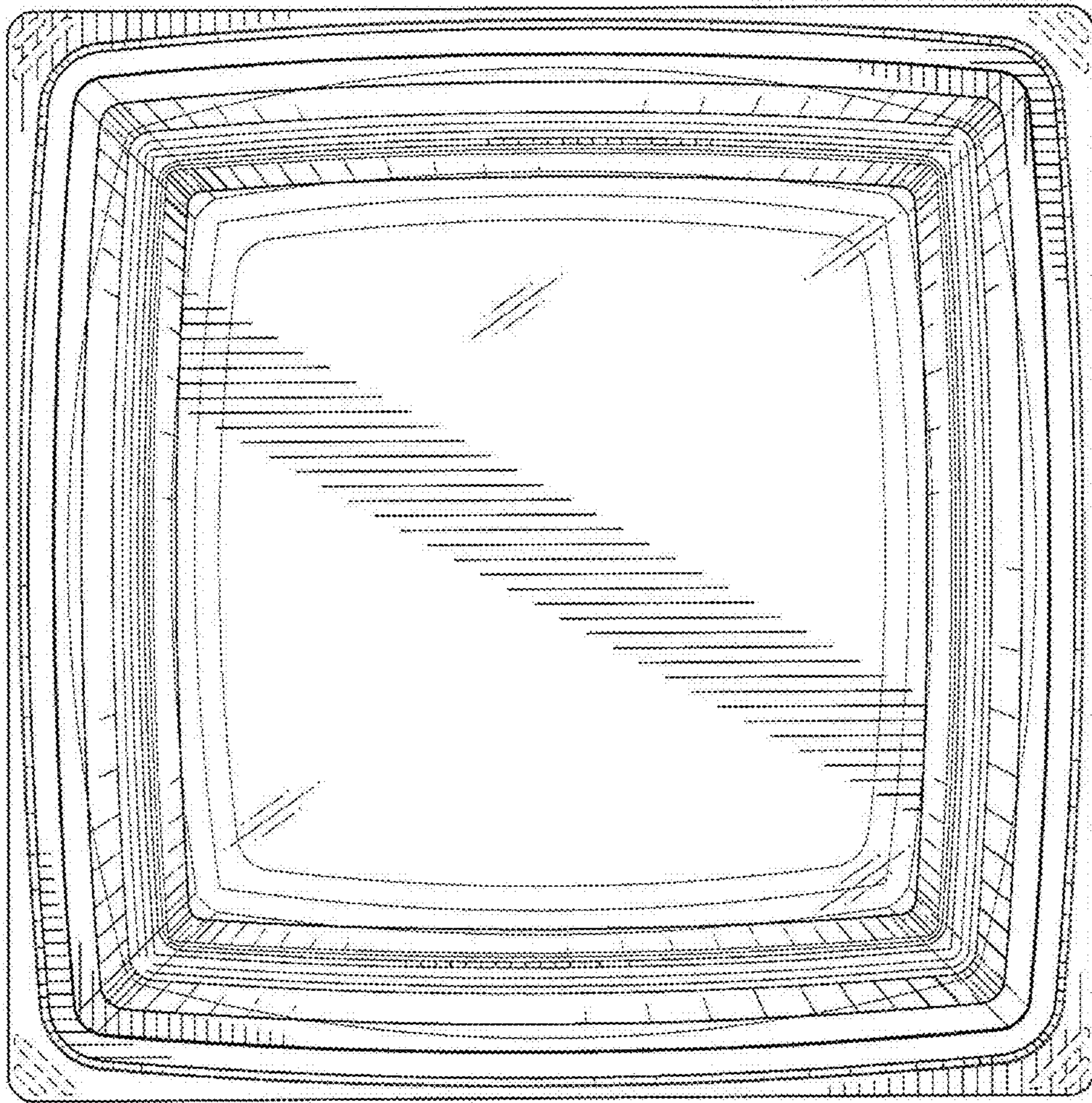


Fig.7

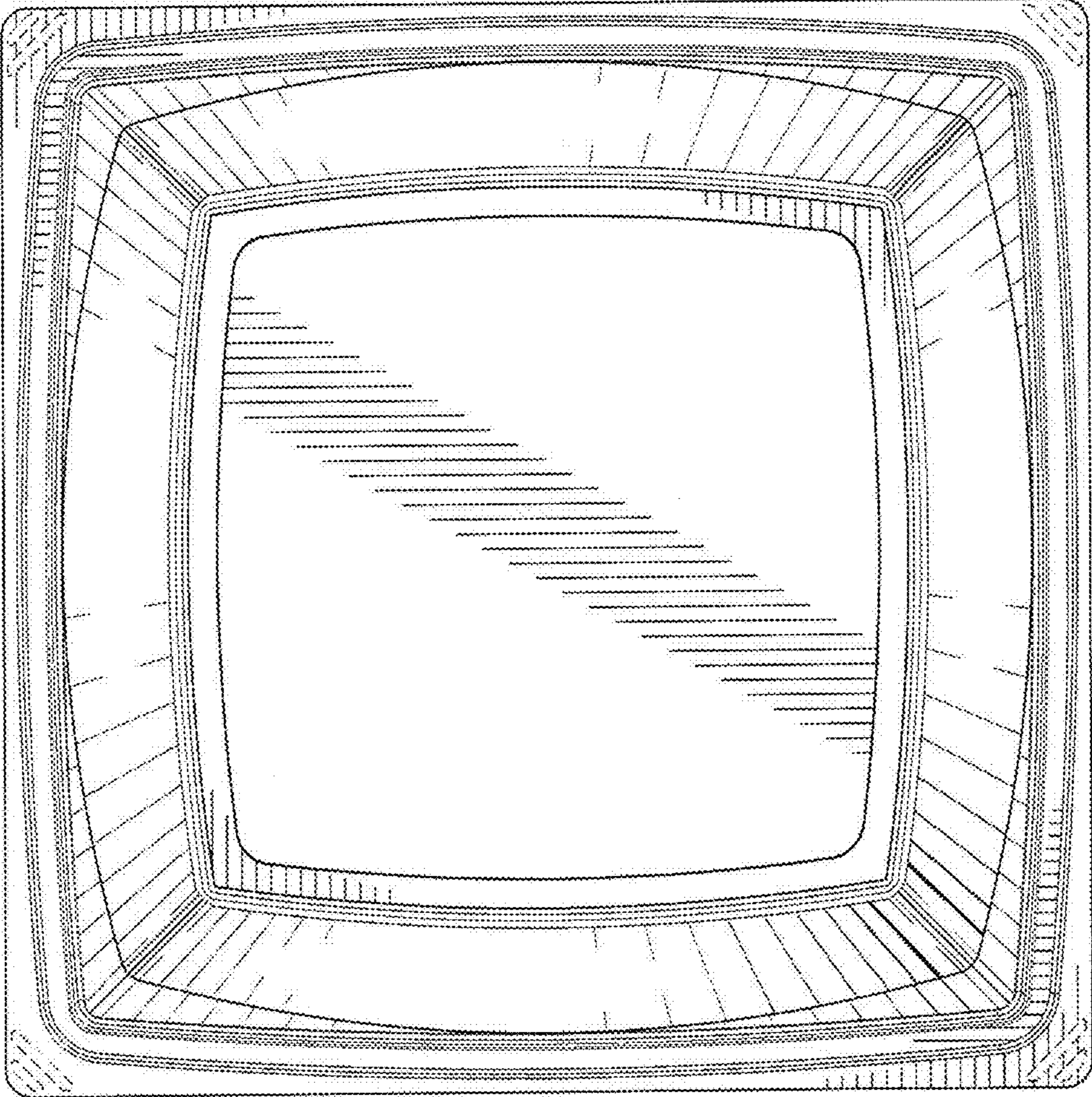


Fig.8