



US00D701456S

(12) **United States Design Patent**
Farley et al.

(10) **Patent No.:** **US D701,456 S**
(45) **Date of Patent:** **** Mar. 25, 2014**

(54) **CONTAINER**

(71) Applicant: **Glaxo Group Limited**, Middlesex (GB)

(72) Inventors: **Stuart John Farley**, Ware (GB);
Andrew Michael Kelly, Letchworth (GB)

(73) Assignee: **Glaxo Group Limited**, Brentford, Middlesex (GB)

(**) Term: **14 Years**

(21) Appl. No.: **29/452,572**

(22) Filed: **Apr. 18, 2013**

(30) **Foreign Application Priority Data**

Oct. 23, 2012 (GB) 4027107
Oct. 23, 2012 (GB) 4027108
Oct. 23, 2012 (GB) 4027109
Oct. 23, 2012 (GB) 4027110

(51) **LOC (10) Cl.** **09-03**

(52) **U.S. Cl.**
USPC **D9/420**

(58) **Field of Classification Search**

USPC 229/100, 101, 101.3, 106, 108, 108.1,
229/116.1, 116.3, 116.5, 121, 122, 201,
229/213, 221, 222, 227, 922, 939, 942;
206/225, 233, 278, 297, 299, 389, 391,
206/409, 457, 494, 770, 737, 812, 822,
206/824; D3/272, 273; D9/414, 418,
D9/420-423, 431, 432, 426; D6/512,
D6/515-523

See application file for complete search history.

(56) **References Cited**

U.S. PATENT DOCUMENTS

D245,762 S * 9/1977 Takacs D9/420
D292,626 S * 11/1987 Chevassus D28/78
D365,206 S * 12/1995 Goodman D3/273
D373,952 S * 9/1996 Exarhos et al. D9/423
D406,233 S * 3/1999 Kaplan D9/423
D458,127 S * 6/2002 de Grootte D9/423
D516,801 S * 3/2006 Jones et al. D3/203.2
D546,671 S * 7/2007 Cronin et al. D9/420
D623,052 S * 9/2010 Giraud et al. D9/420

* cited by examiner

Primary Examiner — Thomas Johannes

(74) *Attorney, Agent, or Firm* — James P. Riek

(57) **CLAIM**

The ornamental design for a container, as shown and described.

DESCRIPTION

FIG. 1 is a front, top perspective view of a container of the present design;

FIG. 2 is a front view thereof;

FIG. 3 is an opposite side view thereof;

FIG. 4 is a plan view thereof;

FIG. 5 is an underneath plan view thereof;

FIG. 6 is a rear view thereof;

FIG. 7 is a front, top perspective view thereof from the opposite side in an open usage configuration;

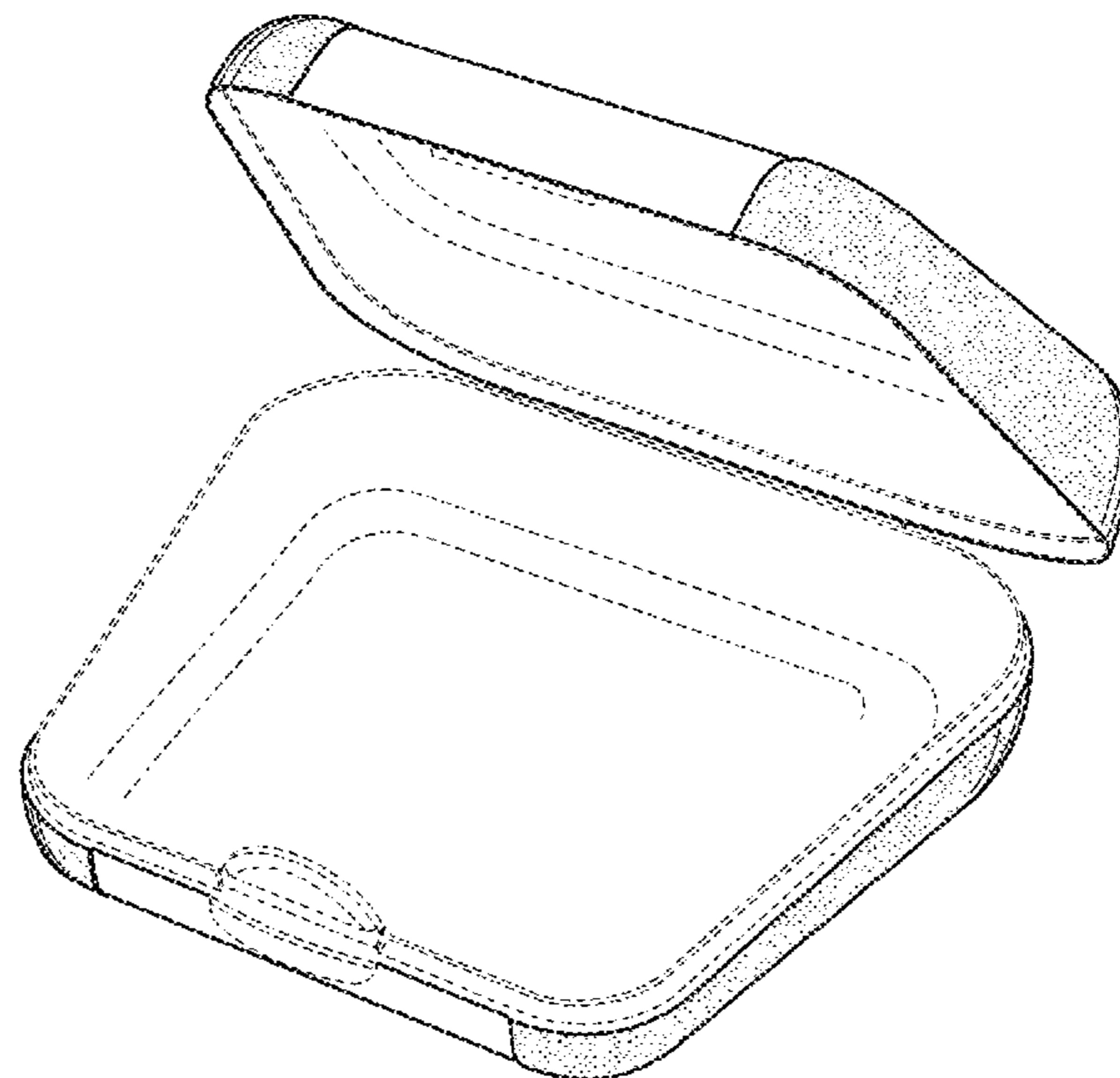
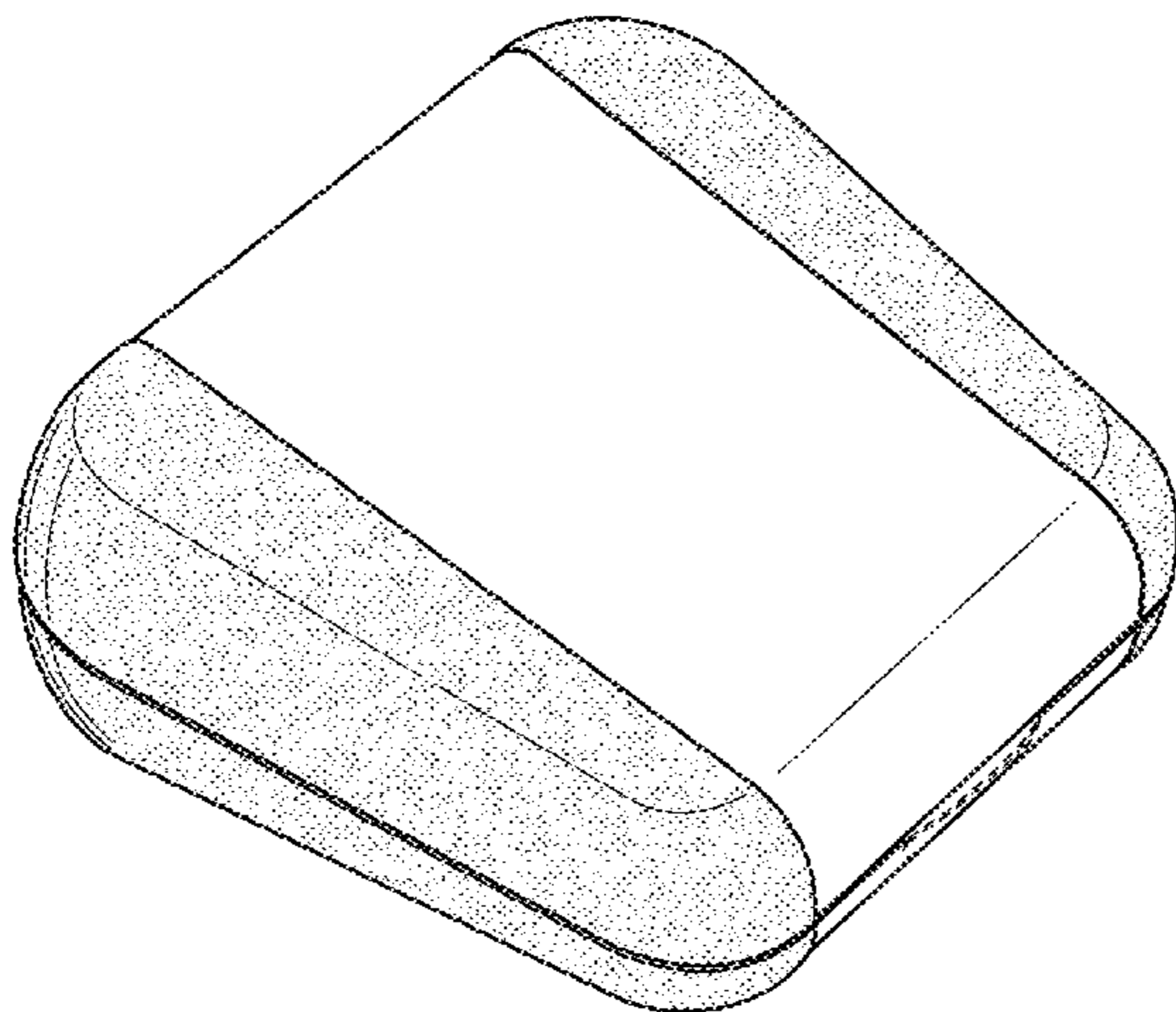
FIG. 8 is an enlarged cross section view thereof taken along line 8-8 of FIG. 5; and,

FIG. 9 is an enlarged fragmentary view of circled detail "9" of FIG. 8.

The variation of tonality in the drawings depicts a claimed contrasting appearance.

The broken line portion of the figure drawings is included to show unclaimed subject matter only and forms no part of the claimed design.

1 Claim, 4 Drawing Sheets



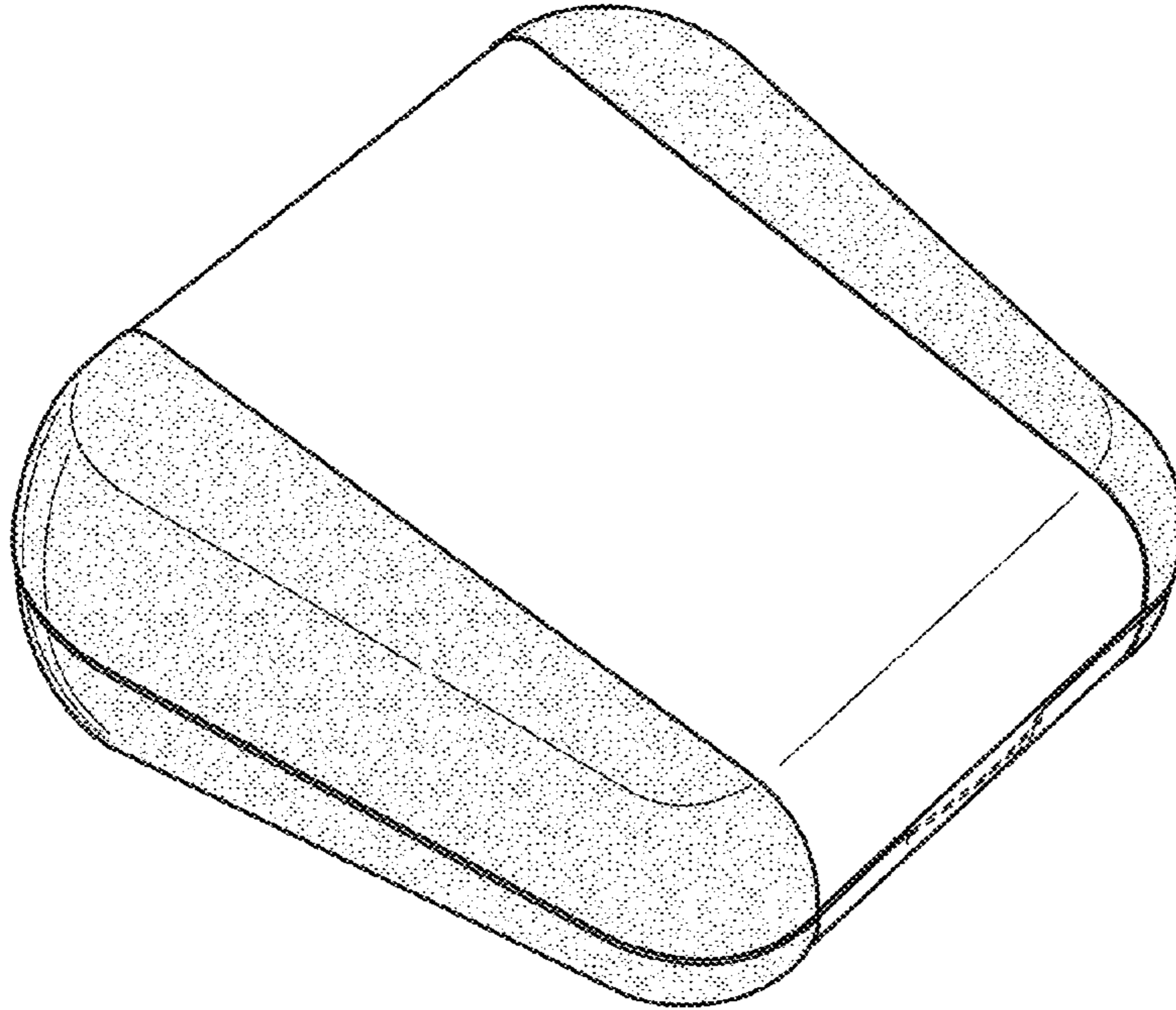


FIG. 1

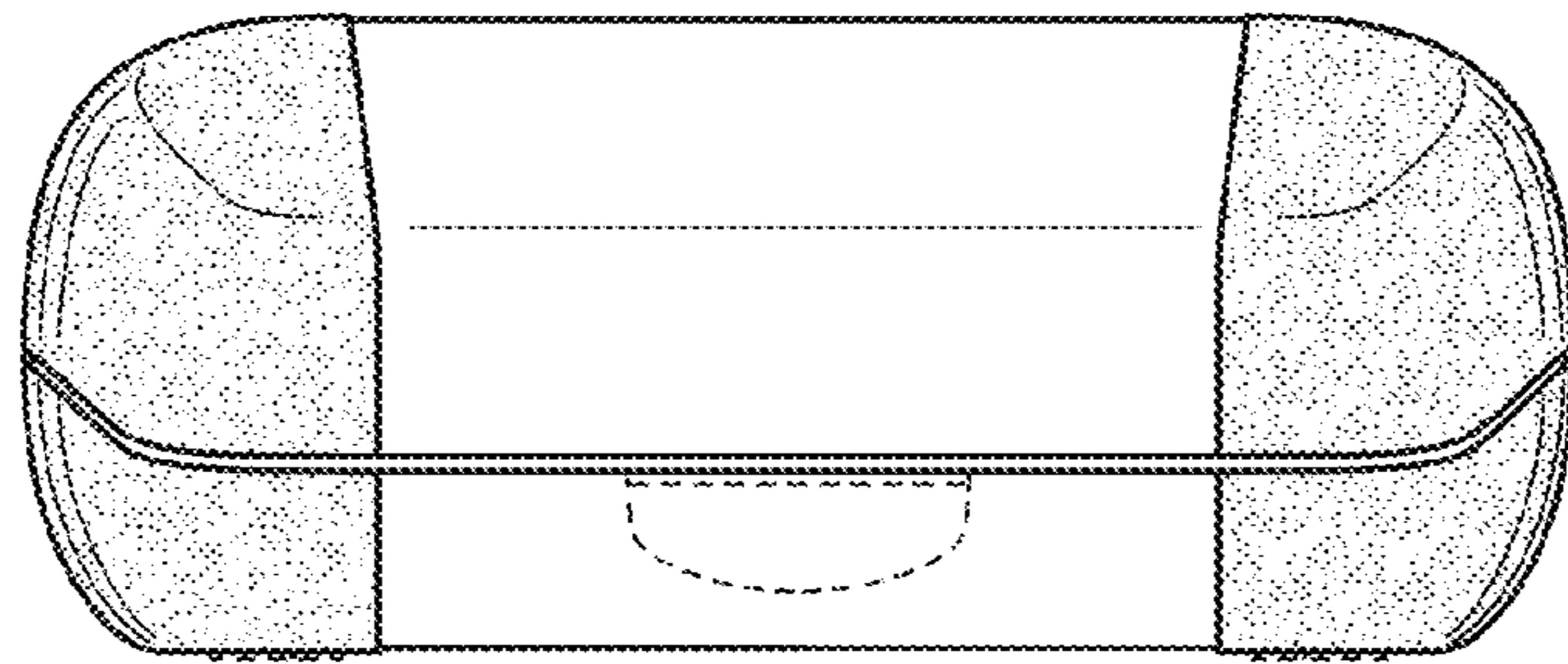


FIG. 2

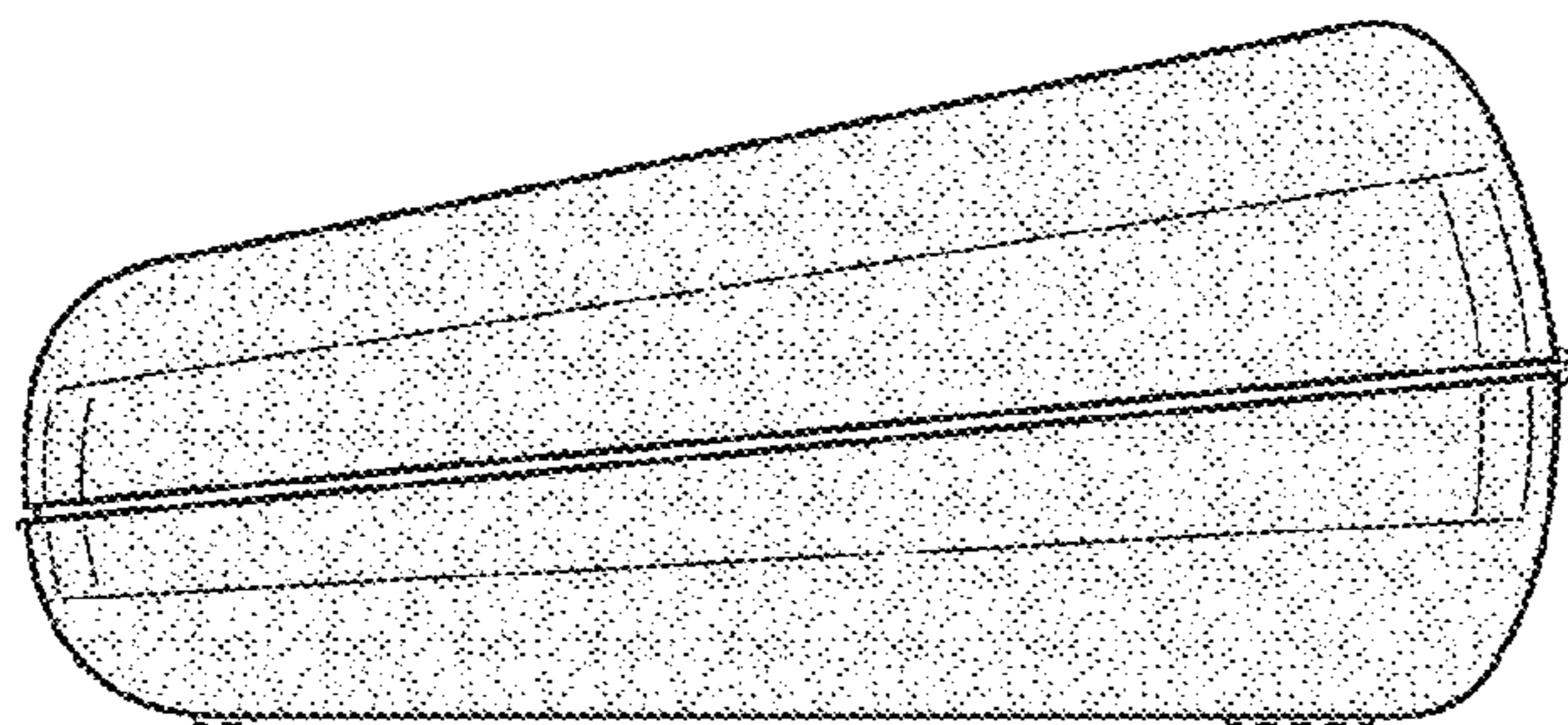


FIG. 3

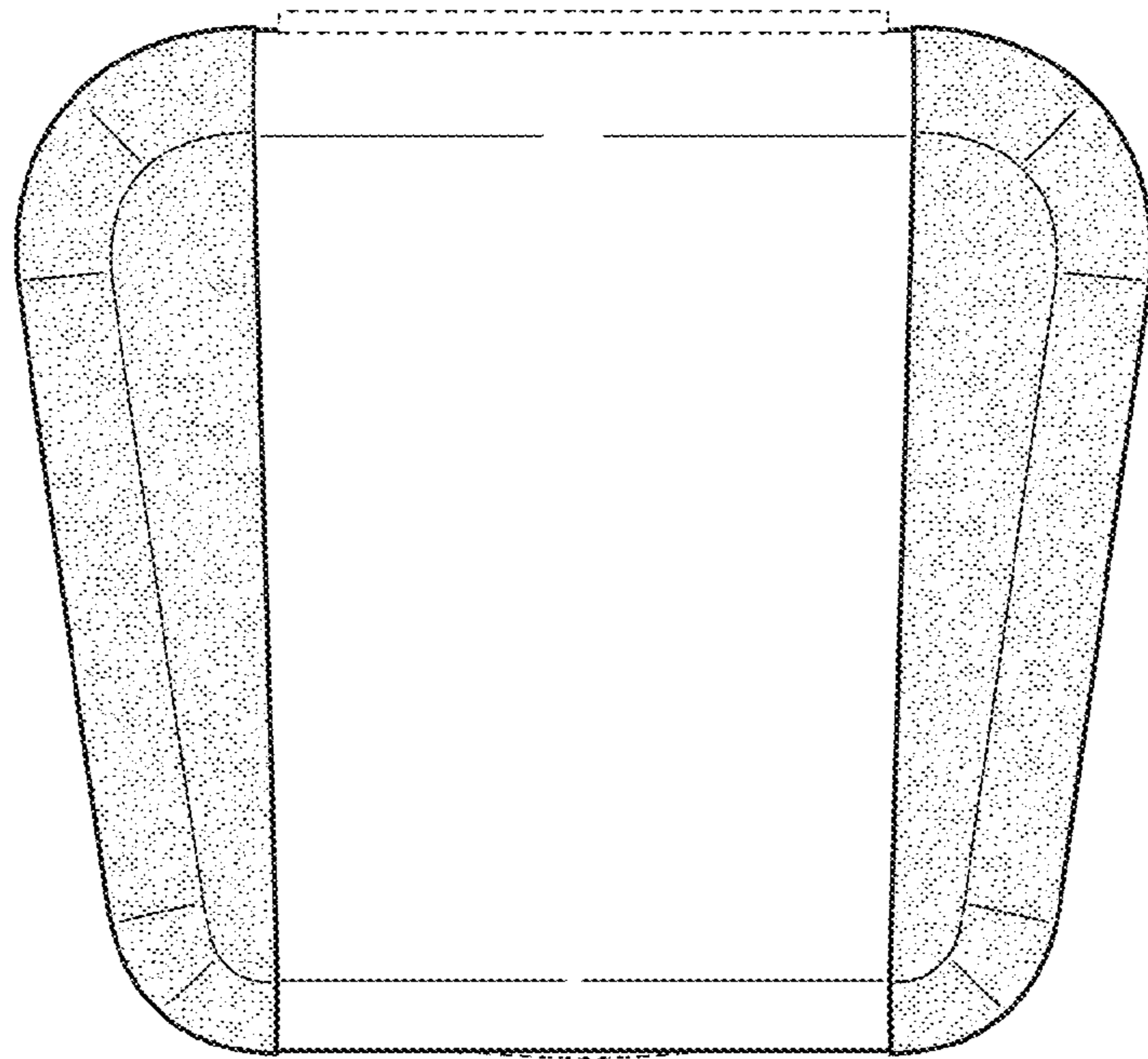


FIG. 4

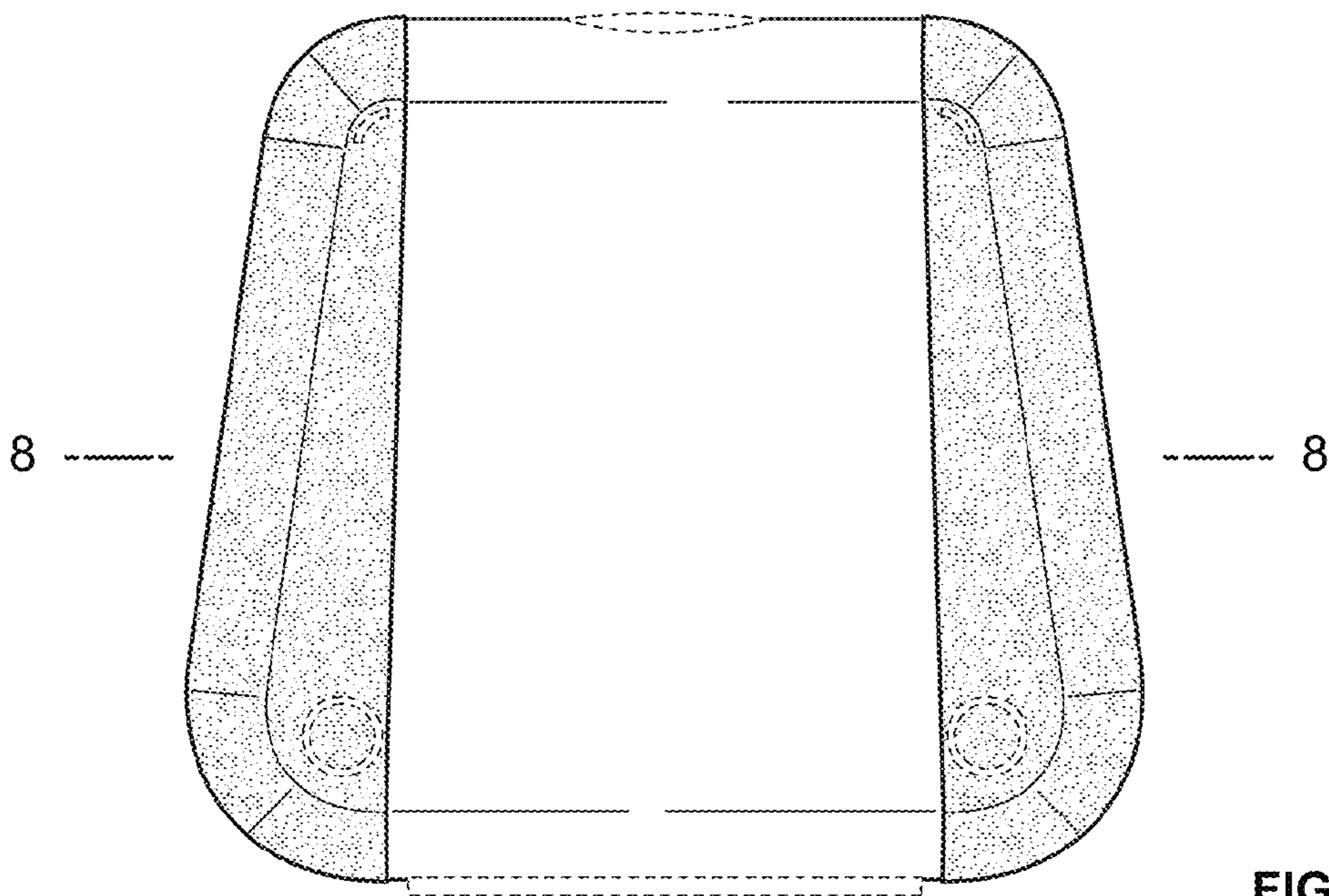


FIG. 5

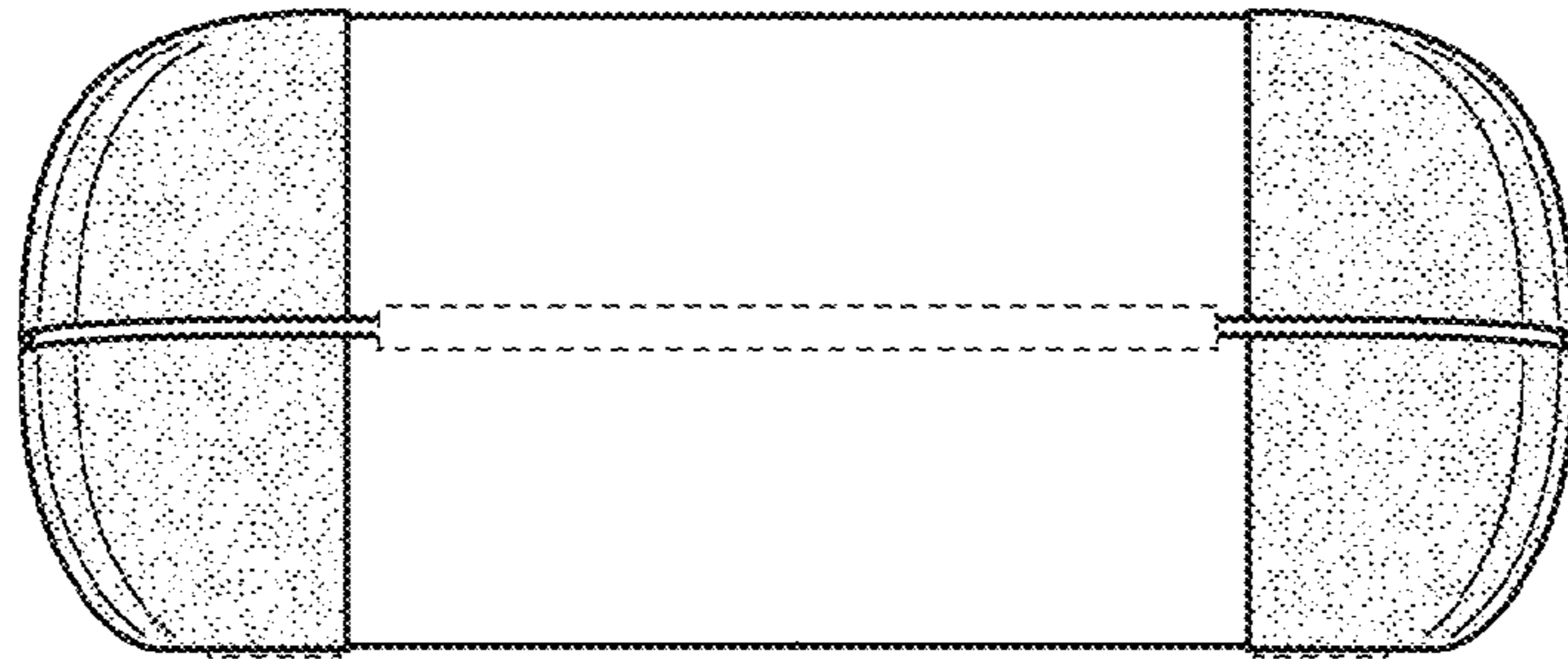


FIG. 6

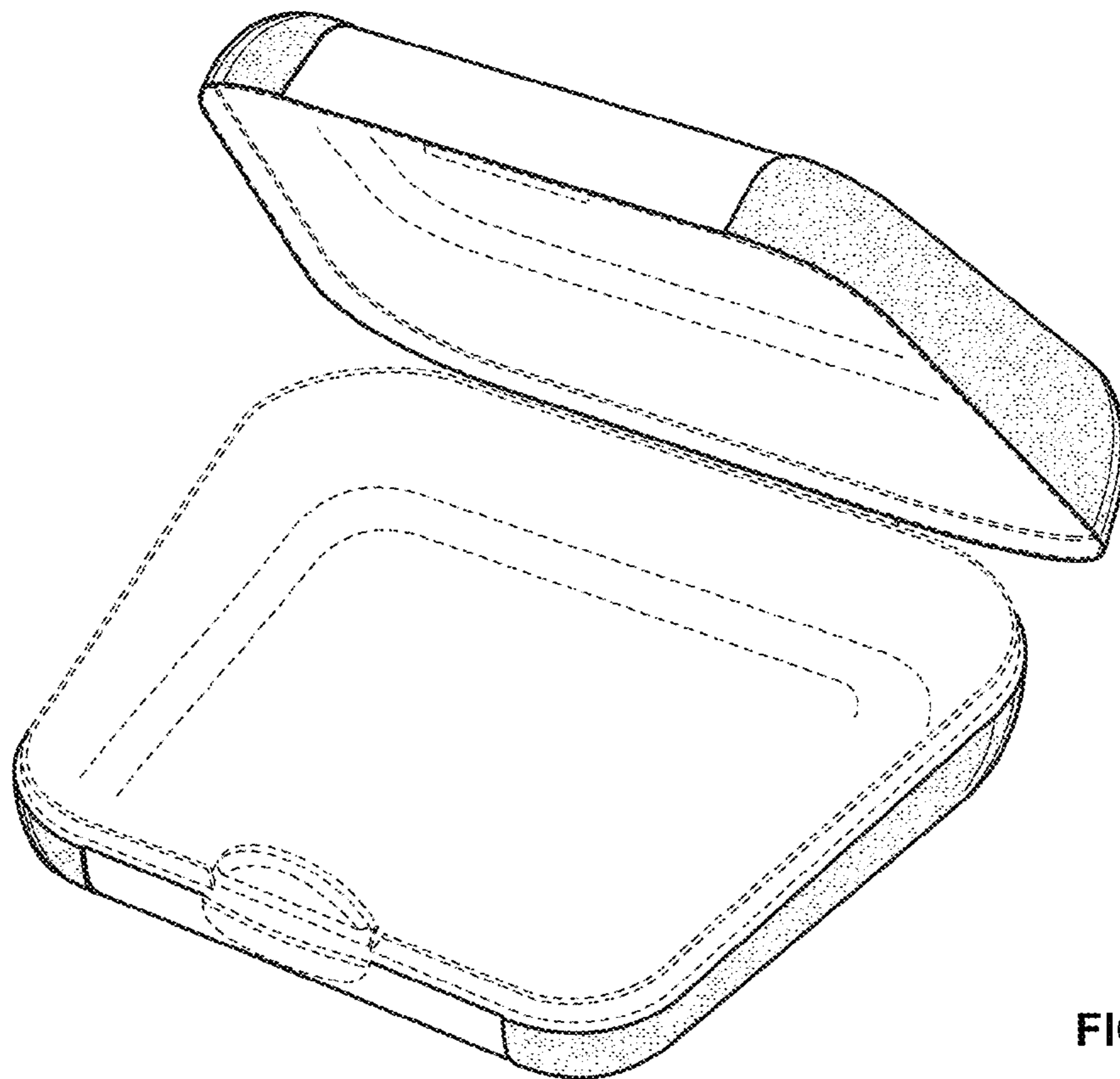


FIG. 7

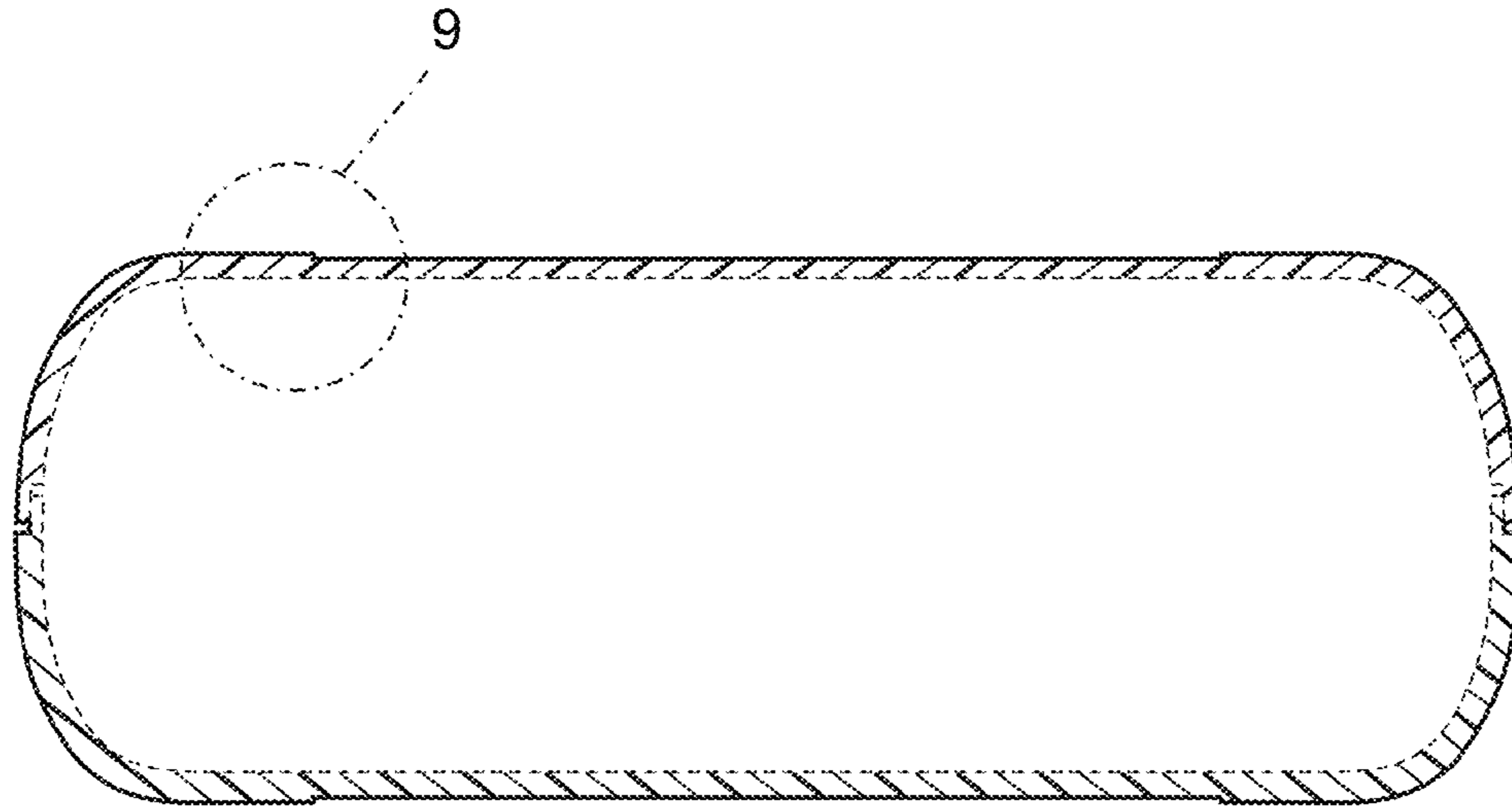


FIG. 8

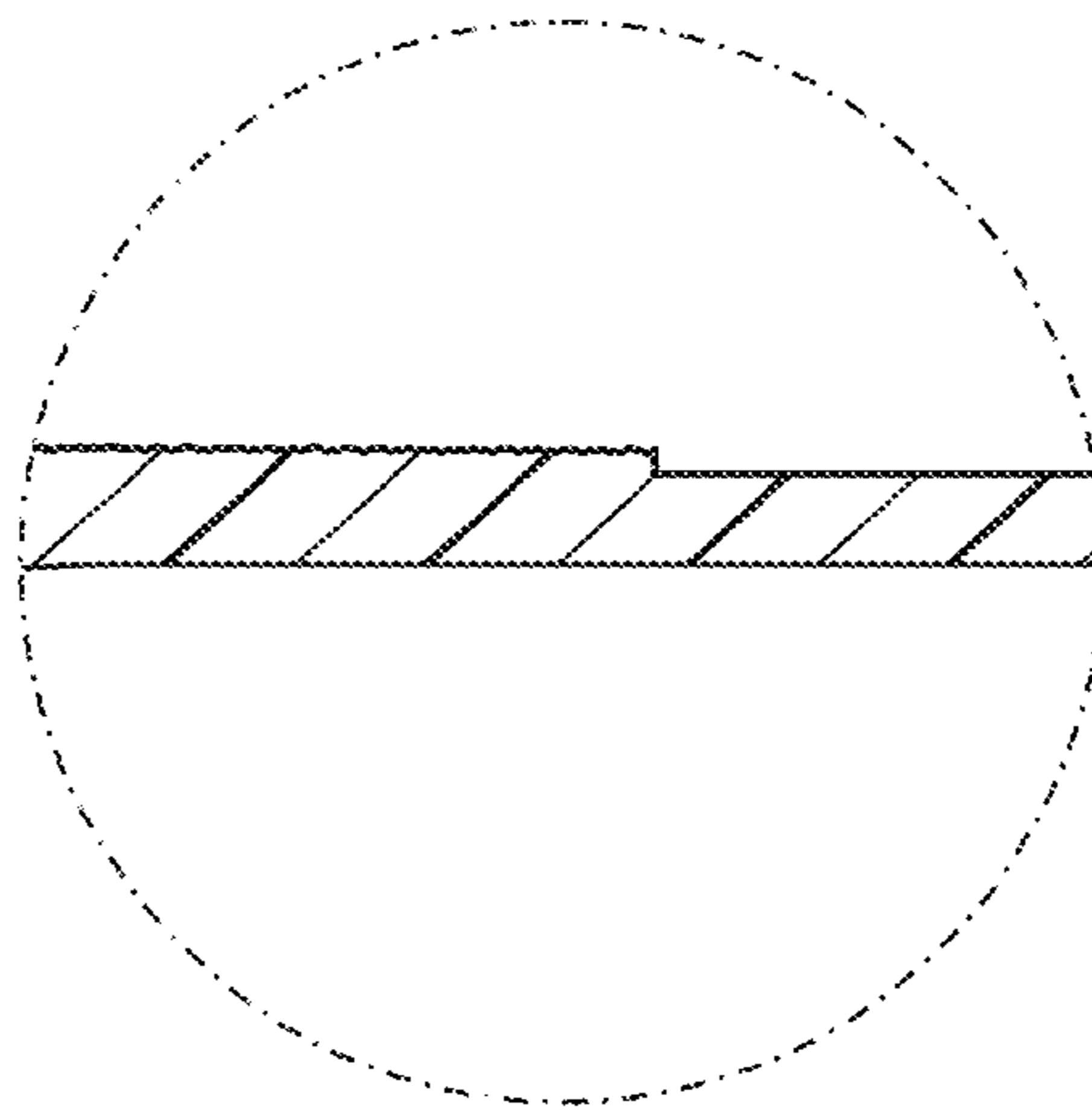


FIG. 9