



US00D701455S

(12) **United States Design Patent**
Shepherd et al.

(10) **Patent No.:** **US D701,455 S**
(45) **Date of Patent:** **** Mar. 25, 2014**

(54) **CORRUGATED CONTAINER**

(76) Inventors: **Michael P. Shepherd**, Santa Ana, CA
(US); **Cheri Dunn**, Santa Ana, CA (US)

(**) Term: **14 Years**

(21) Appl. No.: **29/420,903**

(22) Filed: **May 14, 2012**

(51) **LOC (10) Cl.** **09-03**

(52) **U.S. Cl.**
USPC **D9/418**

(58) **Field of Classification Search**

USPC D9/414, 415, 416, 417, 418, 419, 420,
D9/424, 430, 431-433, 457, 346, 732, 703,
D9/423; D6/682.4; D11/207; 40/124.01,
40/124.16, 124.191; 206/39, 337, 538,
206/704, 461, 462, 463, 471, 294, 315.9,
206/315.91, 763; 229/72, 75, 113, 116

See application file for complete search history.

(56) **References Cited**

U.S. PATENT DOCUMENTS

3,123,204	A	3/1964	Baker	
3,202,340	A	8/1965	Johnston	
3,815,735	A	6/1974	Cucuo	
D258,049	S	1/1981	Bamburg et al.	
D307,719	S	5/1990	Band	
D329,377	S	9/1992	Cortelli et al.	
5,322,210	A *	6/1994	Chila et al.	206/747
D364,087	S	11/1995	Farley	
D418,751	S	1/2000	Wolf	
6,036,010	A *	3/2000	Seyffert et al.	206/315.9
D427,524	S	7/2000	Weisz	
6,199,692	B1 *	3/2001	Van Ness et al.	206/315.9
D455,073	S *	4/2002	Mizrahi	D9/418
D469,687	S *	2/2003	Larian	D9/415
6,644,473	B2	11/2003	Kohler	

D513,174	S *	12/2005	Proudfit	D9/415
D525,878	S	8/2006	Wijerama	
7,546,924	B2 *	6/2009	Oliveira	206/784
D610,447	S *	2/2010	Seum et al.	D9/418

* cited by examiner

Primary Examiner — Robert M Spear

Assistant Examiner — Rhea Shields

(74) *Attorney, Agent, or Firm* — QuickPatents; Kevin Prince

(57) **CLAIM**

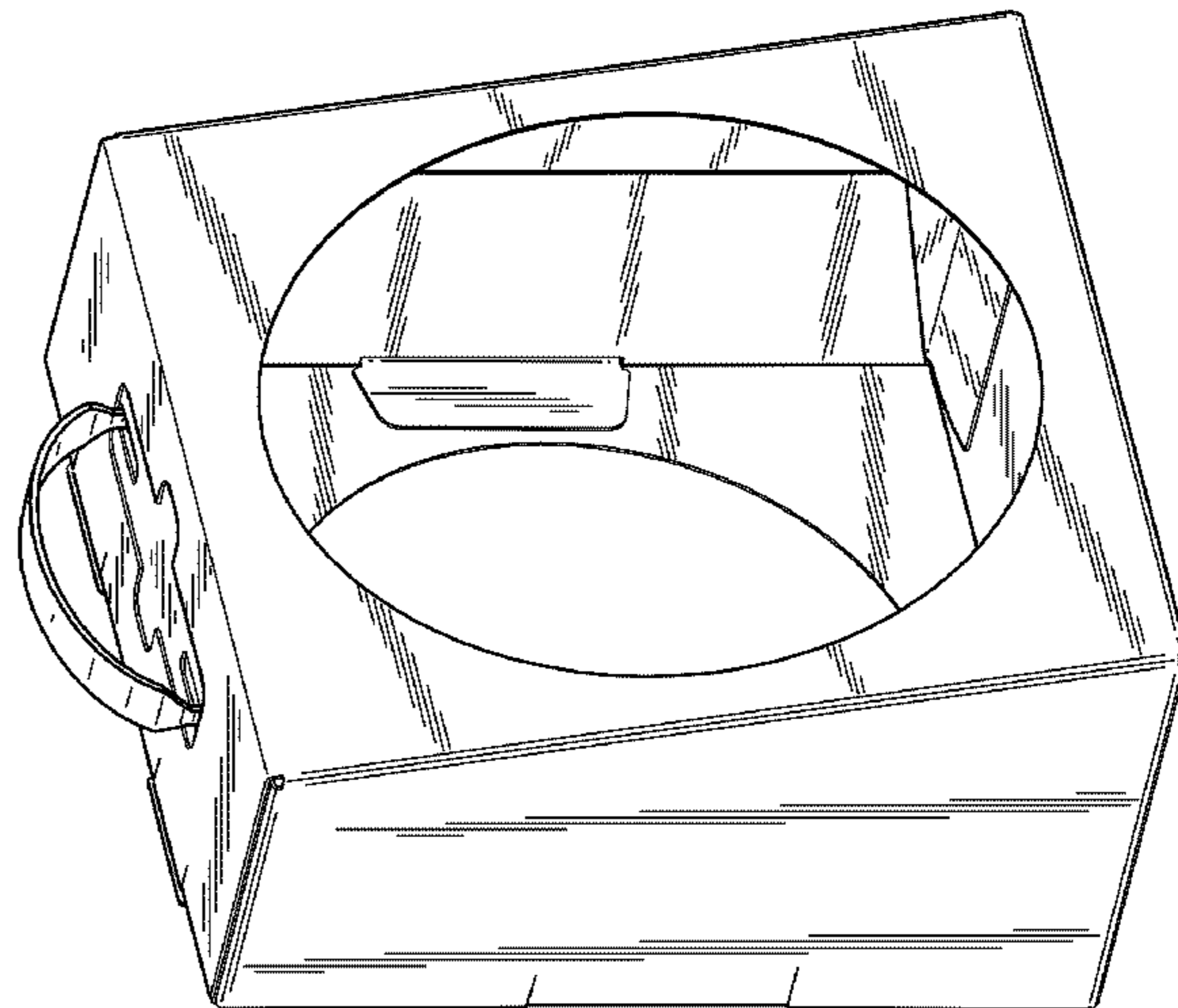
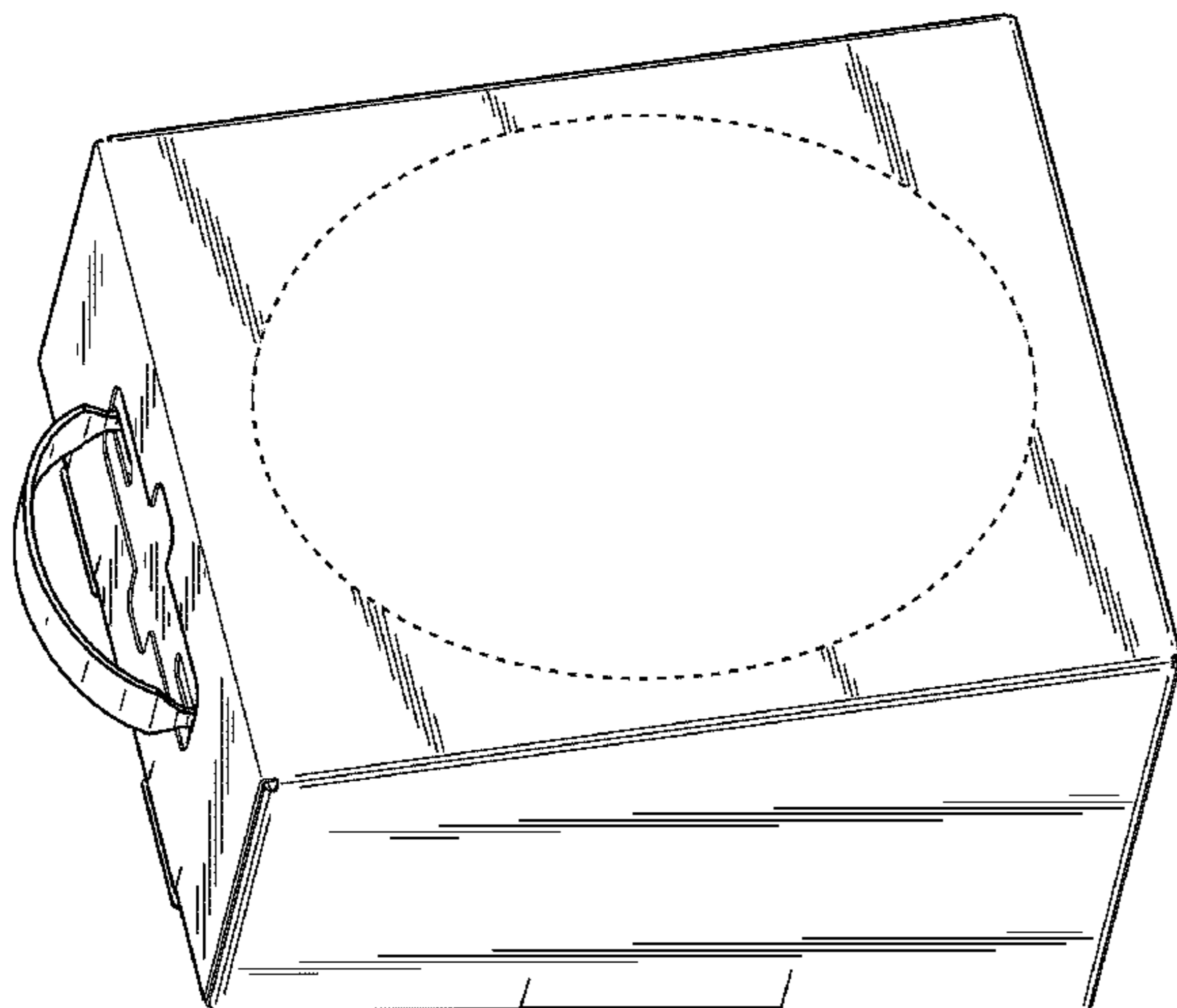
We claim the ornamental design for a corrugated container, as shown and described.

DESCRIPTION

FIG. 1 is a perspective view illustrated in an assembled configuration, showing a first embodiment of our new design; FIG. 2 is an exploded top plan view of a corrugated container in a flat configuration; FIG. 3 is a front elevational view thereof; FIG. 4 is a rear elevational view thereof; FIG. 5 is a right-side elevational view thereof, the left-side elevational view being a mirror image thereof; FIG. 6 is a top plan view thereof; FIG. 7 is a bottom plan view thereof; FIG. 8 is a perspective view illustrated in an assembled configuration, showing a second embodiment of our new design; FIG. 9 is an exploded top plan view of a corrugated container in a flat configuration; FIG. 10 is a front elevational view thereof; FIG. 11 is a rear elevational view thereof; FIG. 12 is a right-side elevational view thereof, the left-side elevational view being a mirror image thereof; FIG. 13 is a top plan view thereof; and, FIG. 14 is a bottom plan view thereof.

The broken lines in the first embodiment depict boundaries of the claim and form no part of the claimed design.

1 Claim, 6 Drawing Sheets



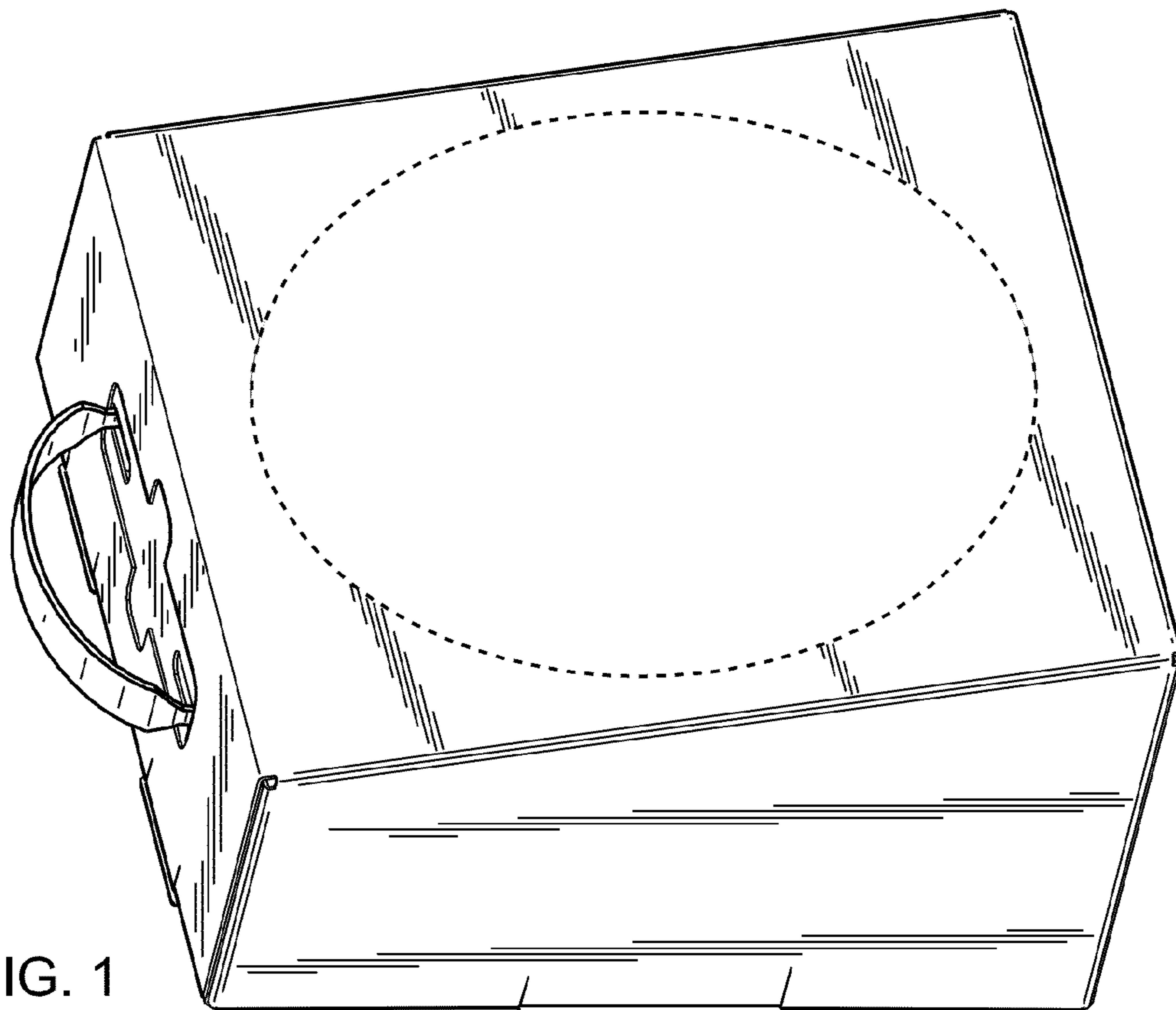


FIG. 1

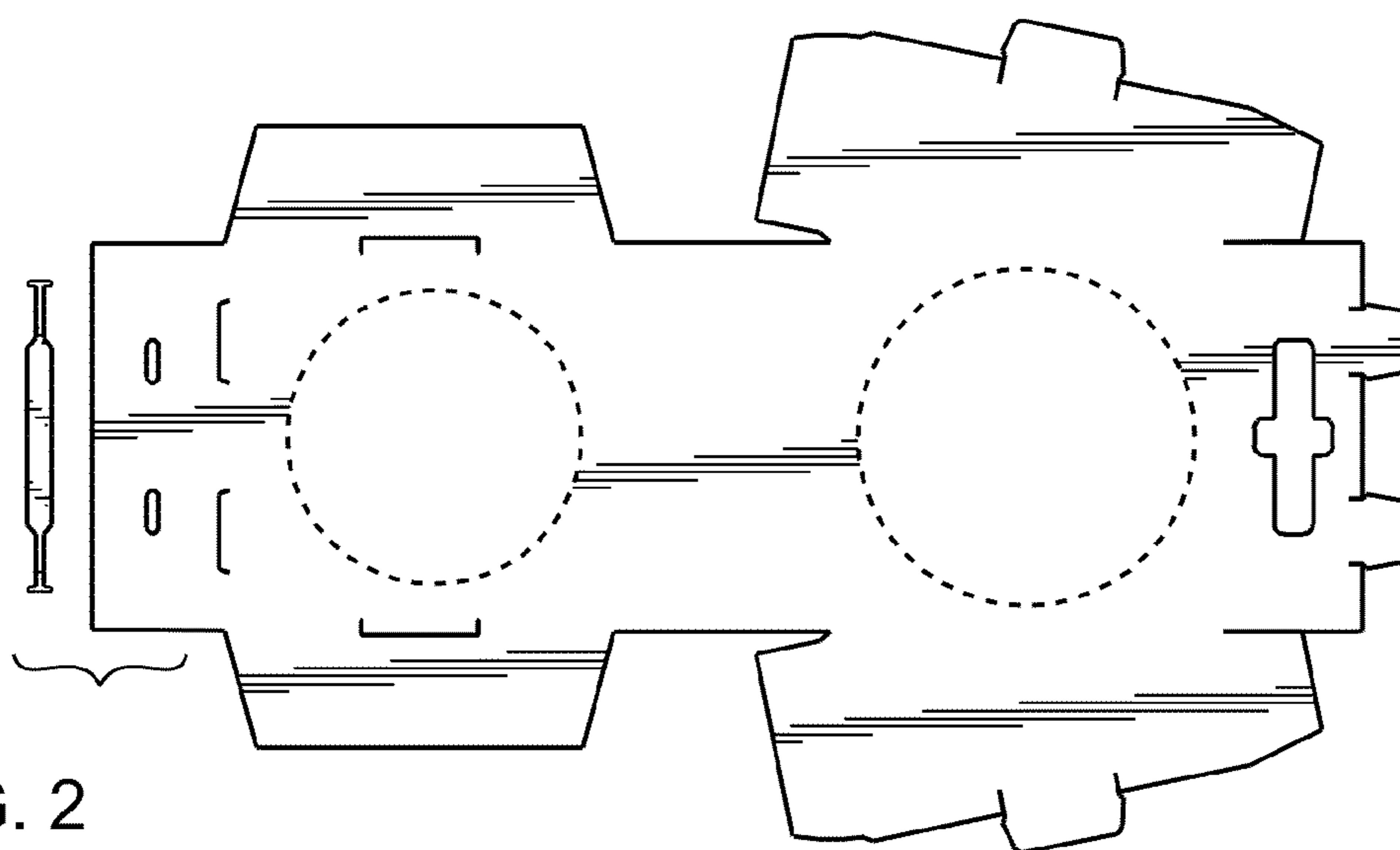


FIG. 2

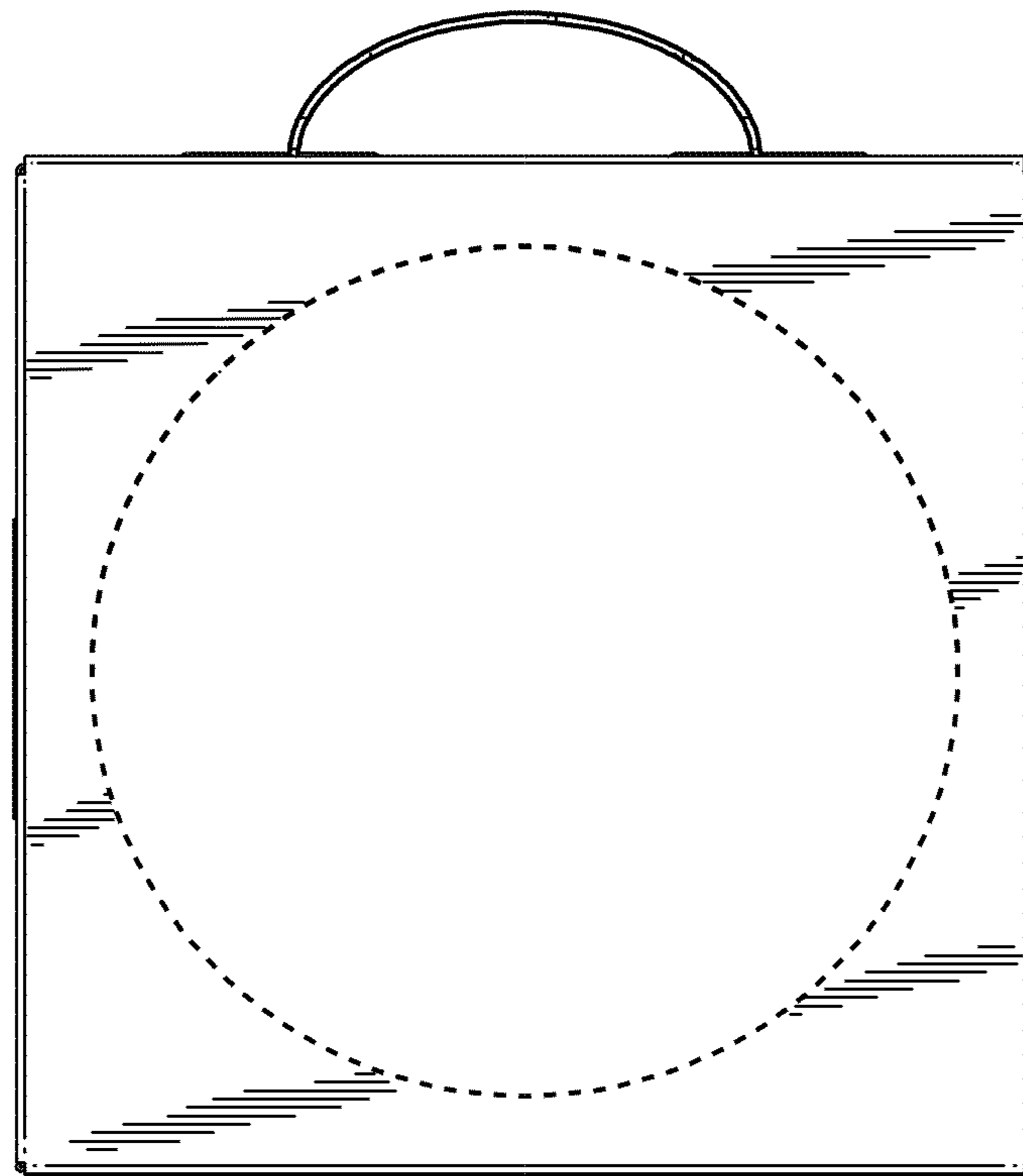


FIG. 3

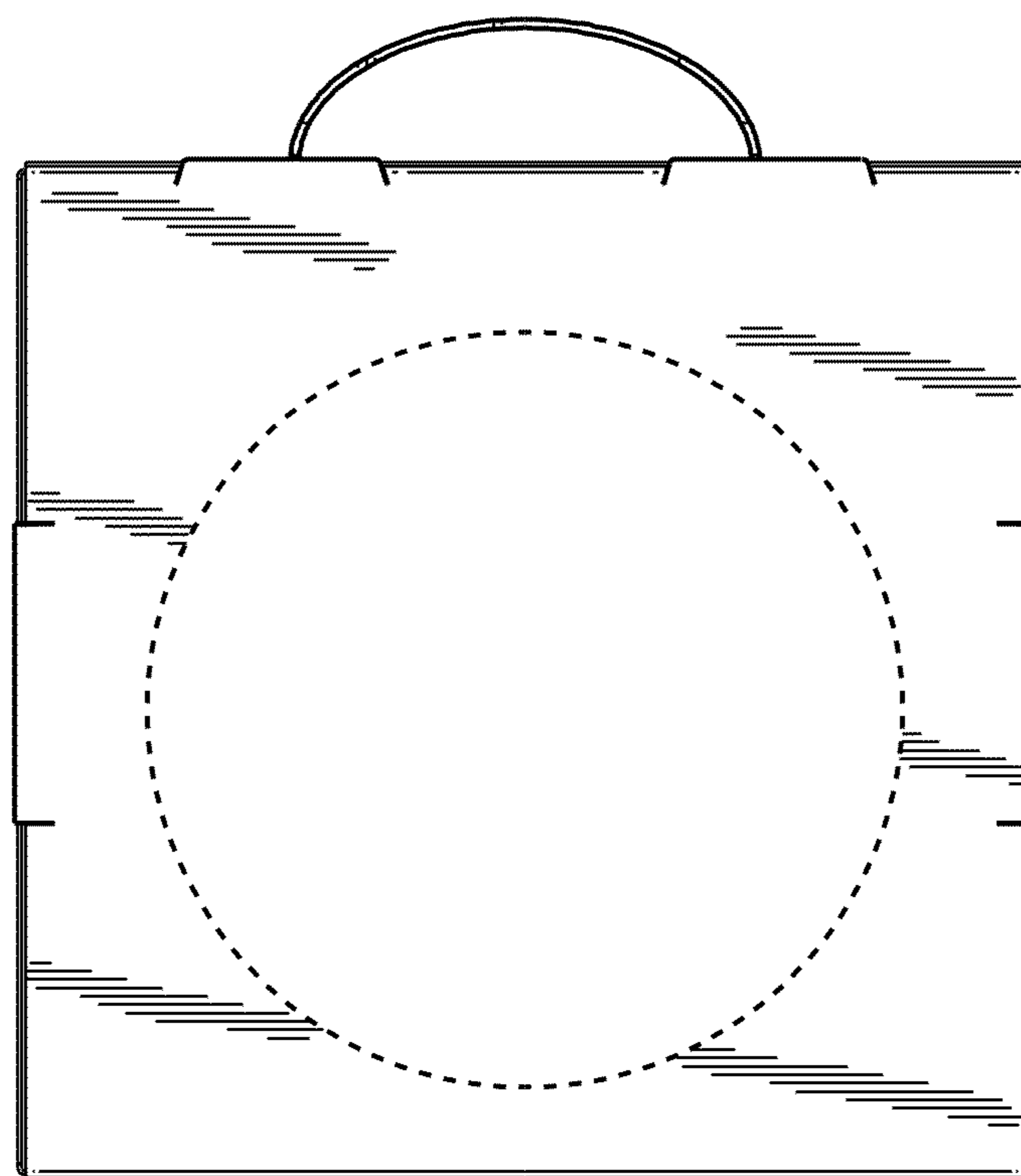


FIG. 4

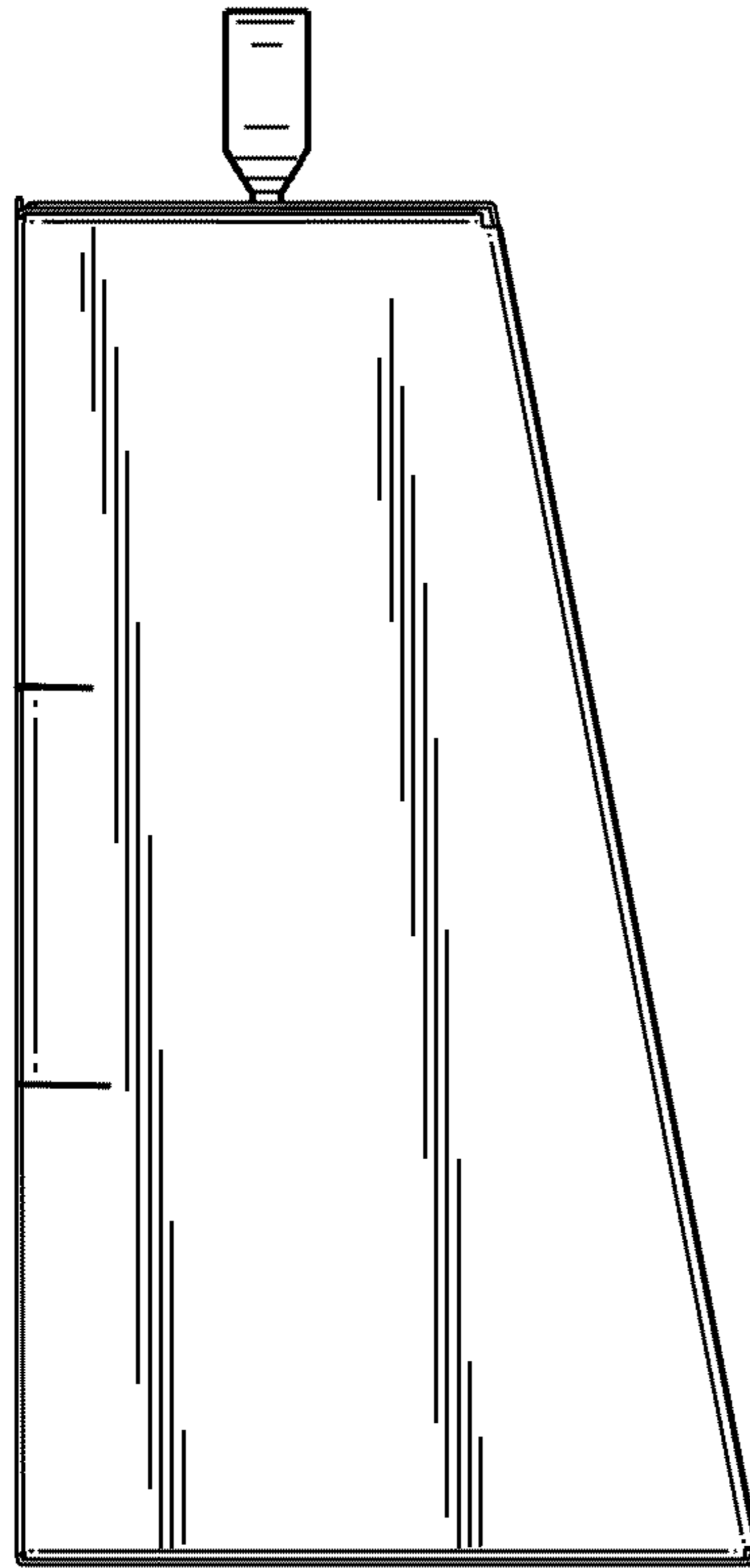


FIG. 5

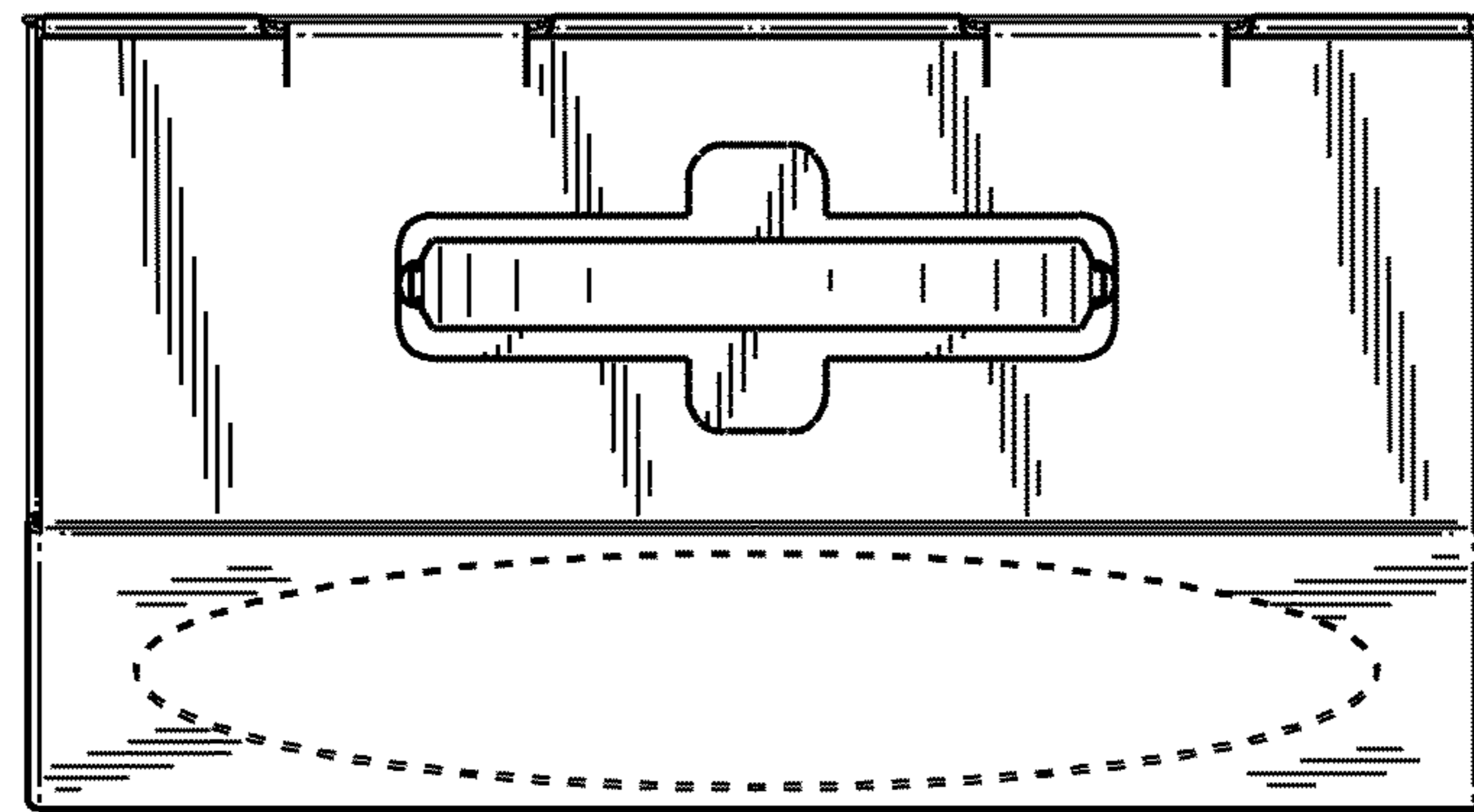


FIG. 6

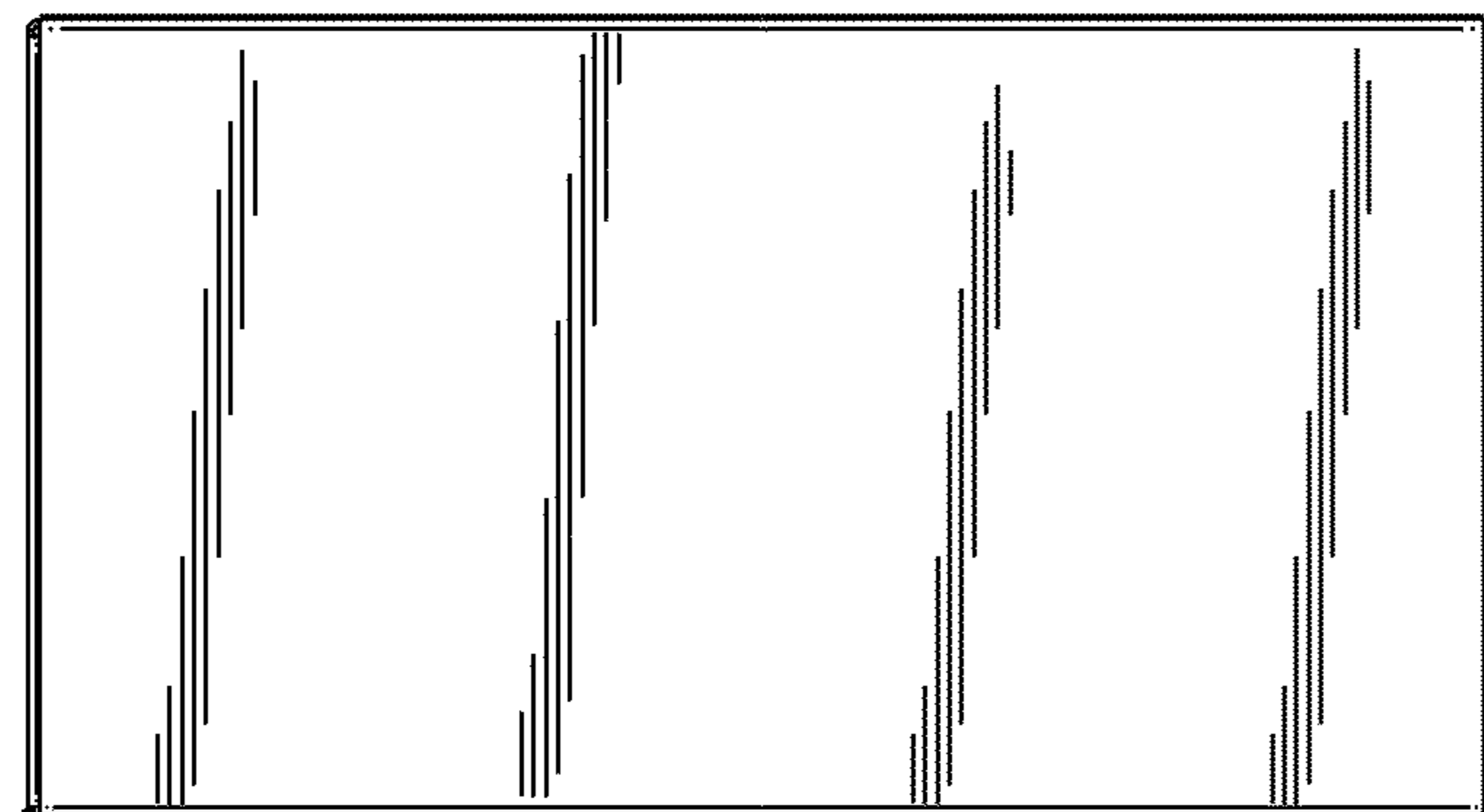


FIG. 7

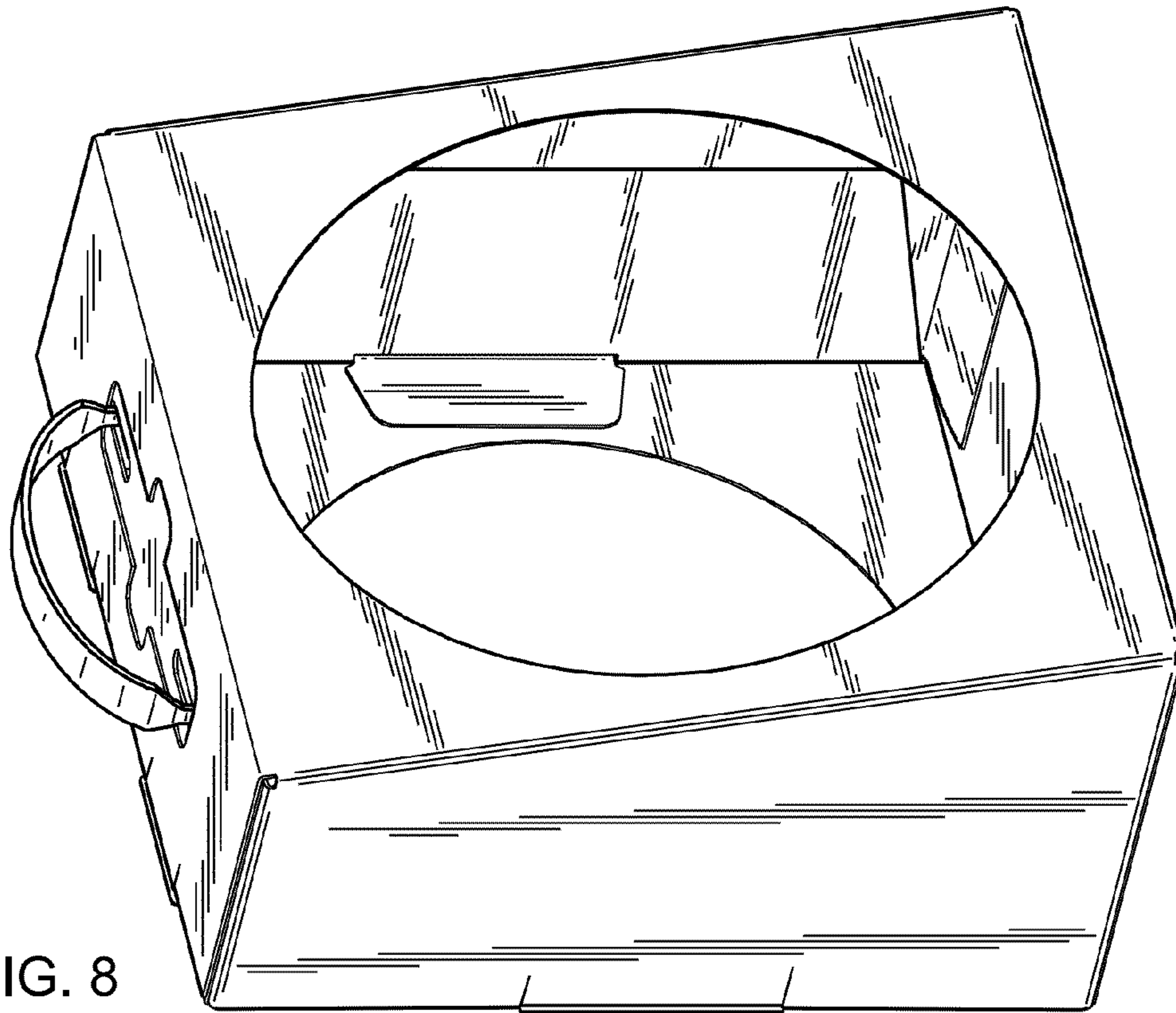


FIG. 8

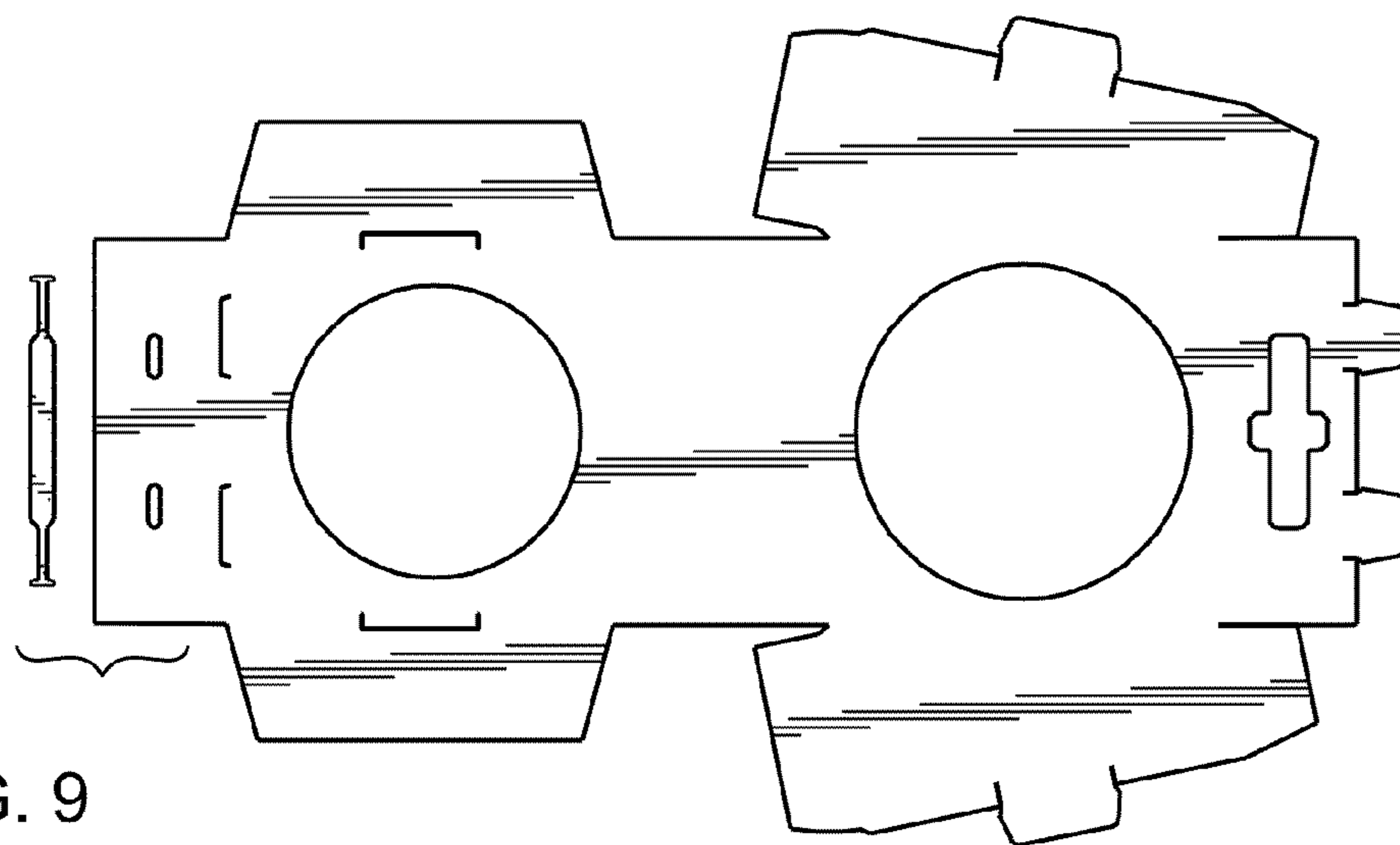


FIG. 9

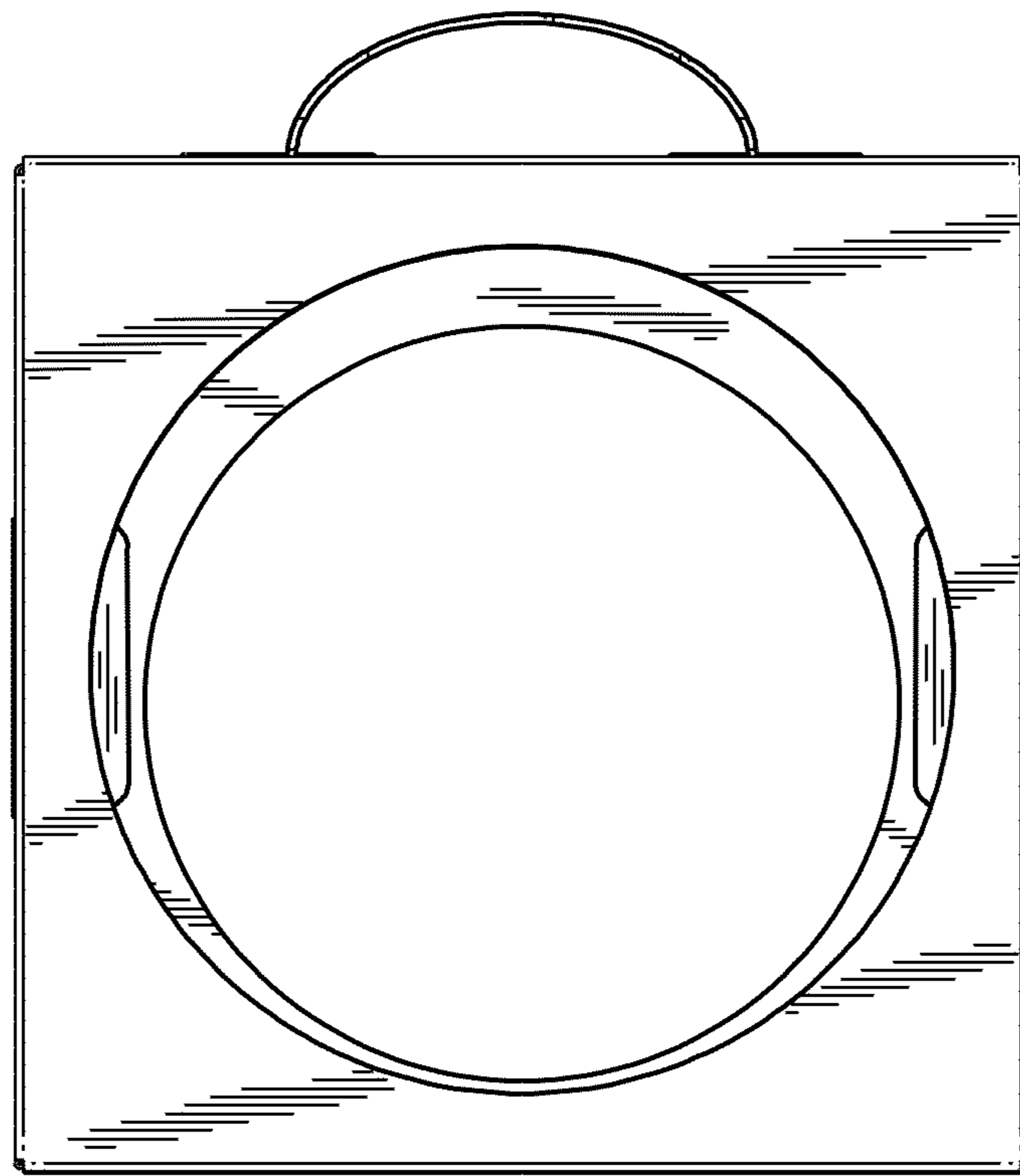


FIG. 10

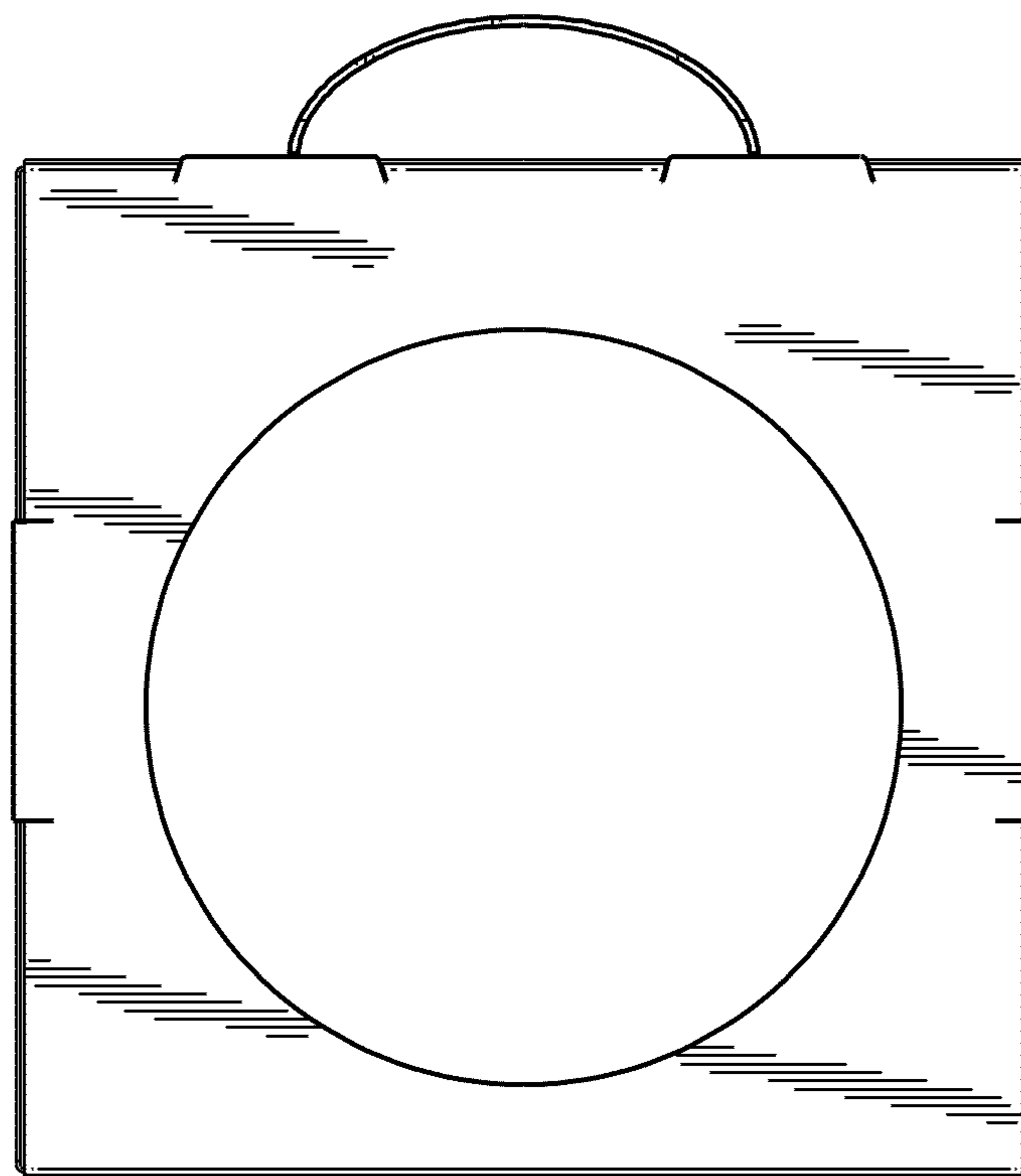


FIG. 11

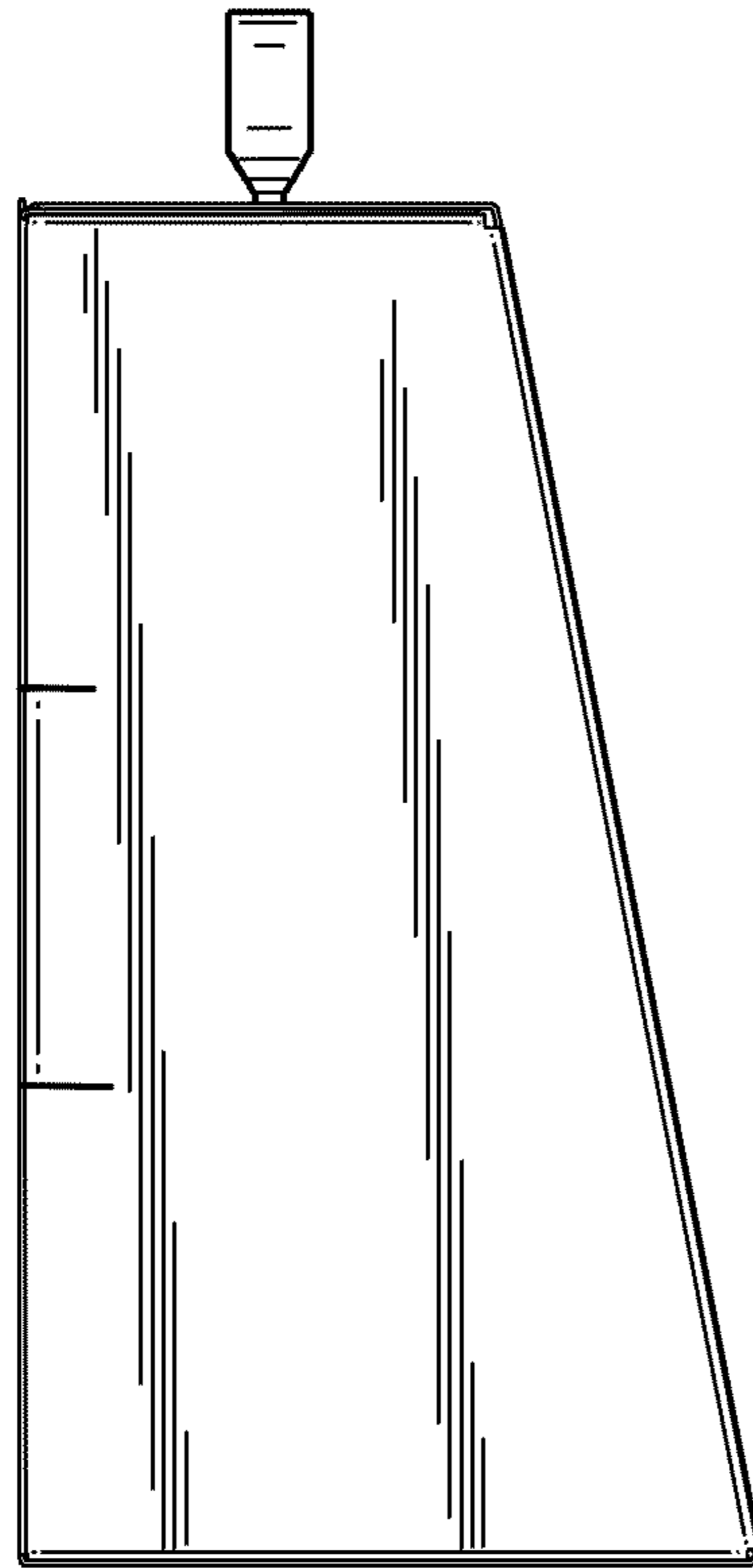


FIG. 12

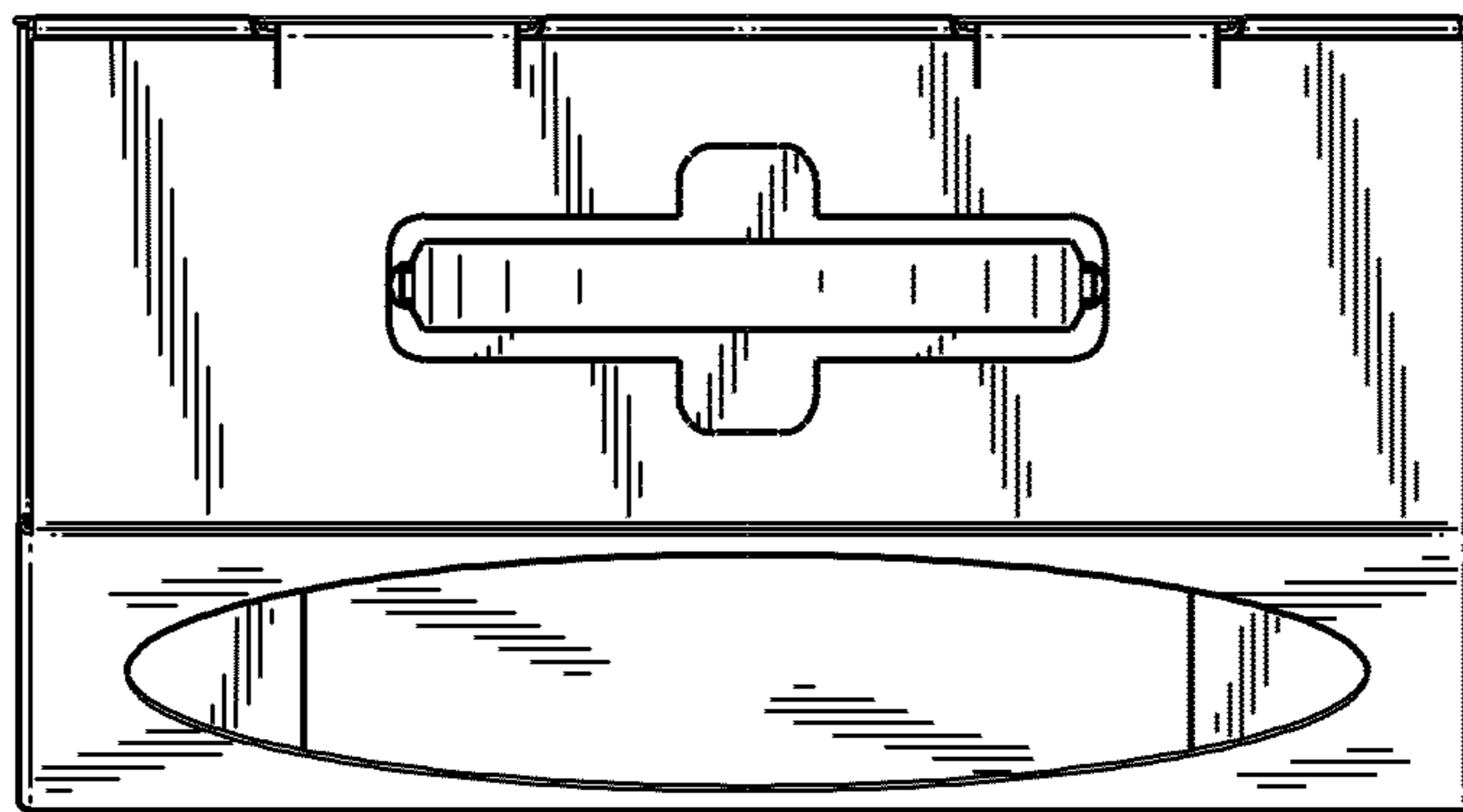


FIG. 13

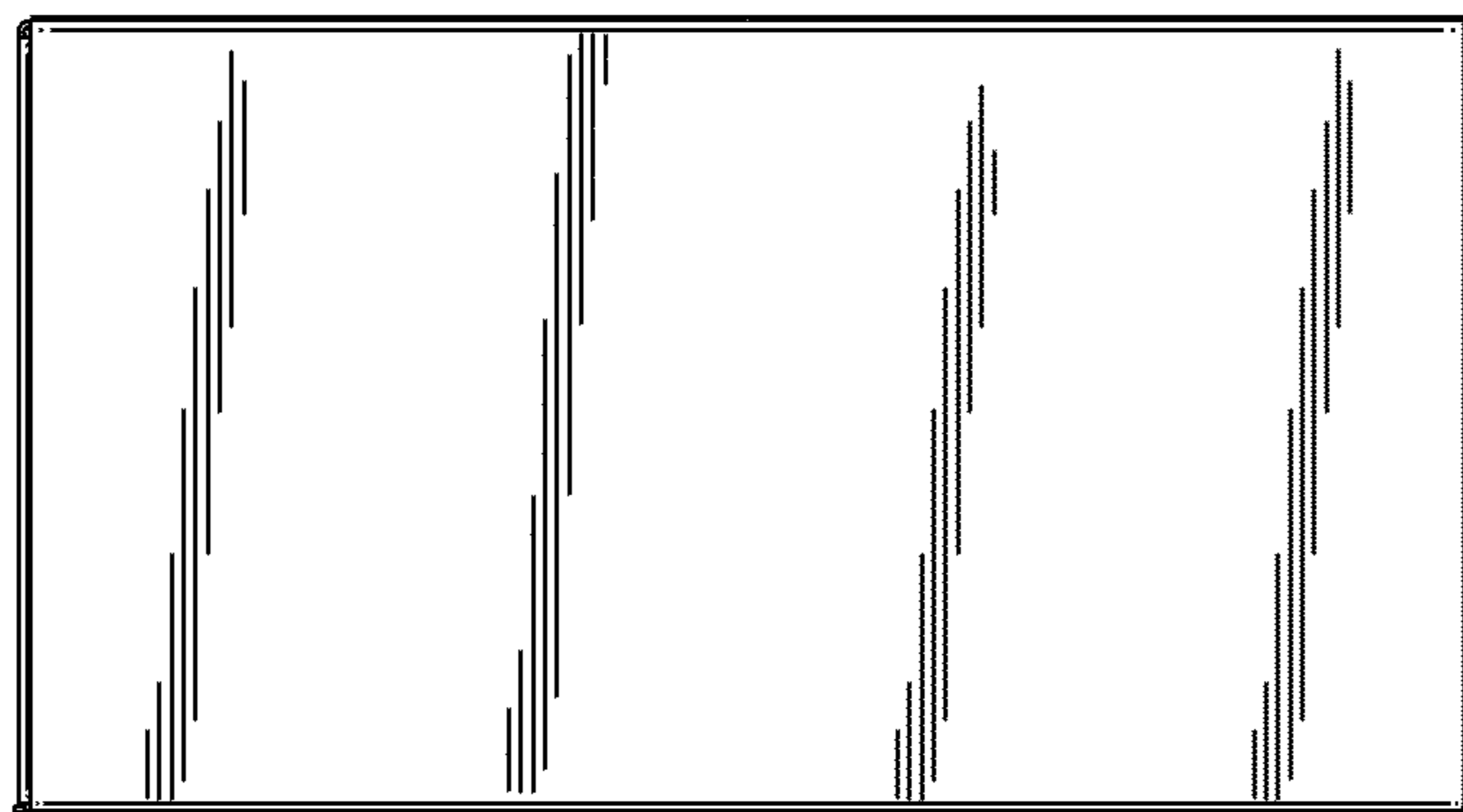


FIG. 14