



US00D701450S

(12) **United States Design Patent**
Ukai et al.

(10) **Patent No.:** **US D701,450 S**
(45) **Date of Patent:** **** Mar. 25, 2014**

(54) **CLIP**

(74) *Attorney, Agent, or Firm* — Ladas & Parry LLP

(75) Inventors: **Junya Ukai**, Okazaki (JP); **Toshio Iwahara**, Okazaki (JP); **Makoto Kato**, Toyota (JP)

(57) **CLAIM**
The ornamental design for a clip, as shown and described.

(73) Assignee: **Daiwa Kasei Kogyo Kabushiki Kaisha**, Okazaki-Shi (JP)

(**) Term: **14 Years**

(21) Appl. No.: **29/415,626**

(22) Filed: **Mar. 13, 2012**

(30) **Foreign Application Priority Data**

Sep. 13, 2011 (JP) 2011-020797
Nov. 29, 2011 (JP) 2011-027574

(51) **LOC (10) Cl.** **08-08**

(52) **U.S. Cl.**
USPC **D8/382**

(58) **Field of Classification Search**
USPC D8/382, 385, 386, 349, 354, 356, 381;
248/200, 300, 74.1; 24/297; 411/508
See application file for complete search history.

(56) **References Cited**

U.S. PATENT DOCUMENTS

D456,699 S * 5/2002 Nakanishi D8/382
6,572,317 B2 * 6/2003 Okada et al. 411/508
6,575,681 B2 * 6/2003 Kojima et al. 411/508
D520,865 S * 5/2006 Wakabayashi D8/396

(Continued)

FOREIGN PATENT DOCUMENTS

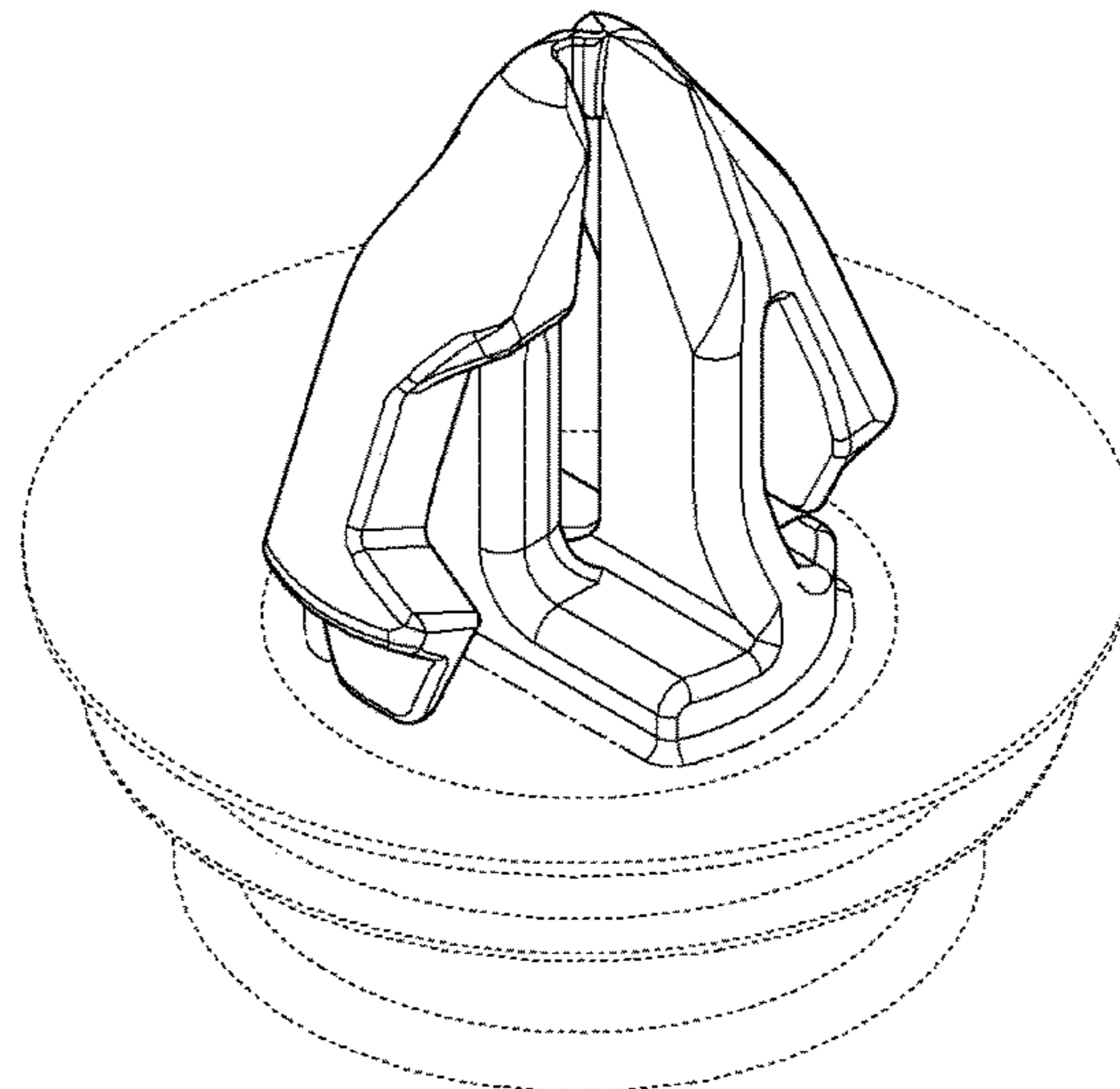
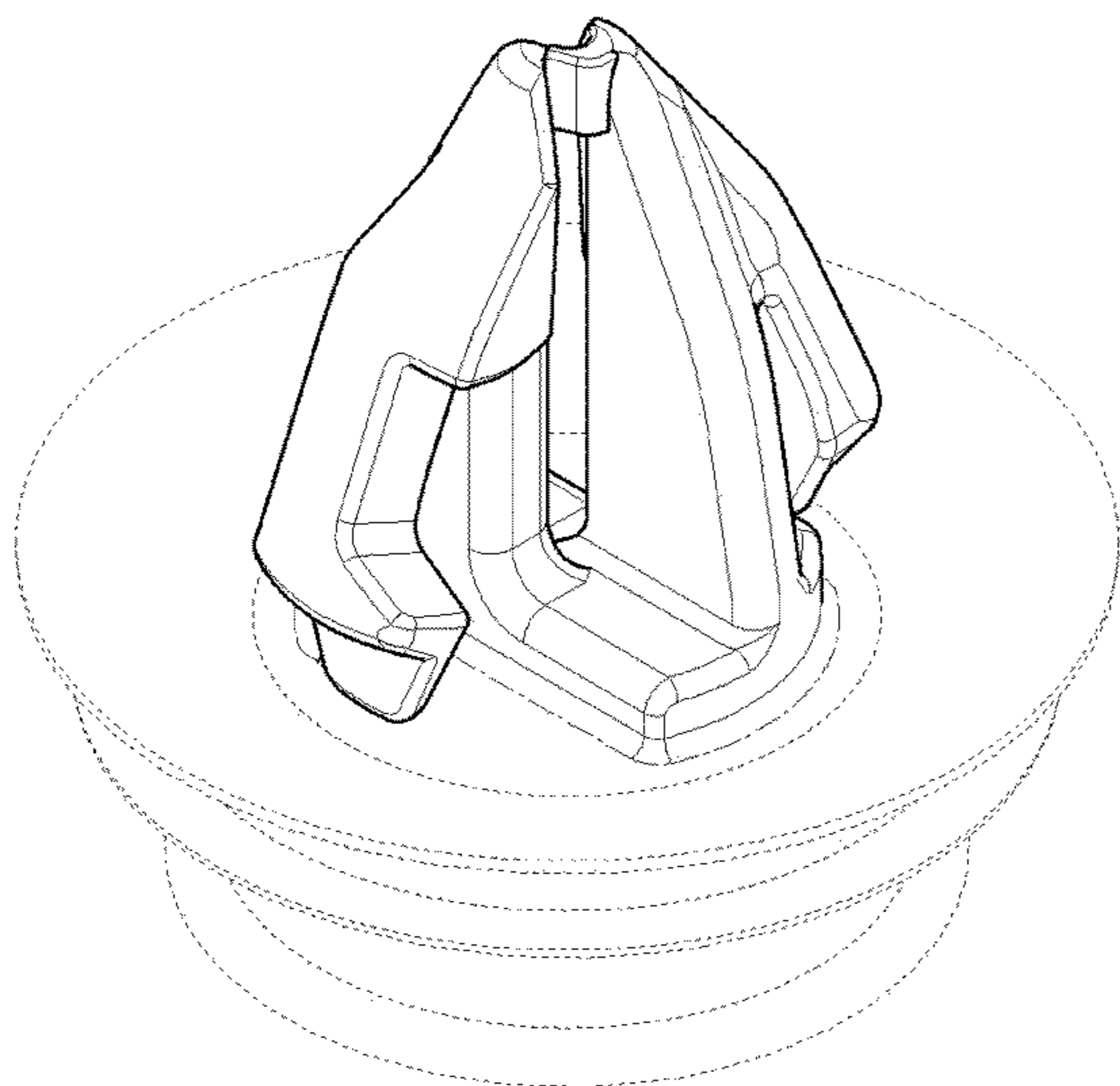
JP D1102087 2/2001
JP D1102088 2/2001

Primary Examiner — Sheryl Lane

DESCRIPTION

FIG. 1 is a first perspective view of a clip showing our new design viewed from an upper direction;
FIG. 2 is a second perspective view thereof;
FIG. 3 is a front elevation view thereof;
FIG. 4 is a right side elevation view thereof;
FIG. 5 is a top plan view thereof;
FIG. 6 is a bottom plan view thereof;
FIG. 7 is a sectional view taken along line VII-VII in FIG. 3;
FIG. 8 is a sectional view taken along line VIII-VIII in FIG. 3;
FIG. 9 is a sectional view taken along line IX-IX in FIG. 5;
FIG. 10 is a reference view showing the state of use; and
FIG. 11 is a reference view showing the state of use;
FIG. 12 is a first perspective view of a second embodiment of the clip shown in FIG. 1;
FIG. 13 is a second perspective view thereof;
FIG. 14 is a front elevation view thereof;
FIG. 15 is a right side elevation view thereof;
FIG. 16 is a top plan view thereof;
FIG. 17 is a bottom plan view thereof;
FIG. 18 is a sectional view taken along line XVIII-XVIII in FIG. 14;
FIG. 19 is a sectional view taken along line XIX-XIX in FIG. 14;
FIG. 20 is a sectional view taken along line XX-XX in FIG. 16;
FIG. 21 is a reference view showing the state of use; and,
FIG. 22 is a reference view showing the state of use.
The broken lines shown in the drawings represent unclaimed portions of the clip and form no part of the claimed design.

1 Claim, 22 Drawing Sheets



(56)

References Cited

U.S. PATENT DOCUMENTS

D549,566 S * 8/2007 Kamiya D8/395
D567,640 S * 4/2008 Katoh D8/382
D589,333 S * 3/2009 Nakazato D8/382
D625,587 S * 10/2010 Obuchi et al. D8/382
D666,900 S * 9/2012 Ogino et al. D8/385

D671,391 S * 11/2012 Komeno et al. D8/356
8,333,540 B2 * 12/2012 Nakazato 411/508
D675,506 S * 2/2013 Araki D8/382
D675,507 S * 2/2013 Araki D8/382
8,469,646 B2 * 6/2013 Kono et al. 411/508
D691,026 S * 10/2013 Komeno et al. D8/356
2005/0155191 A1 * 7/2005 Asano et al. 24/297
2007/0258795 A1 * 11/2007 Nakazato 411/508

* cited by examiner

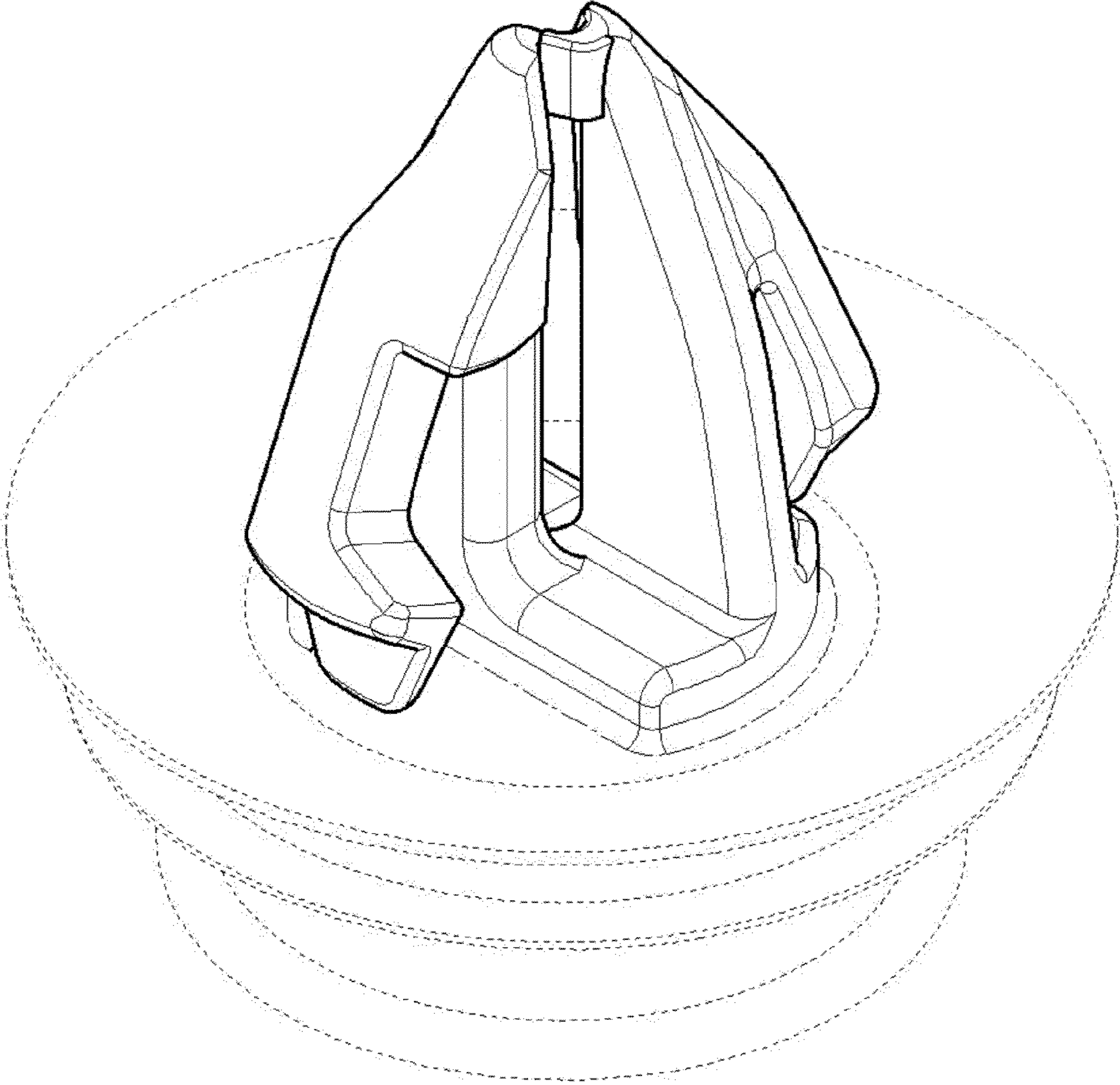


FIG. 1

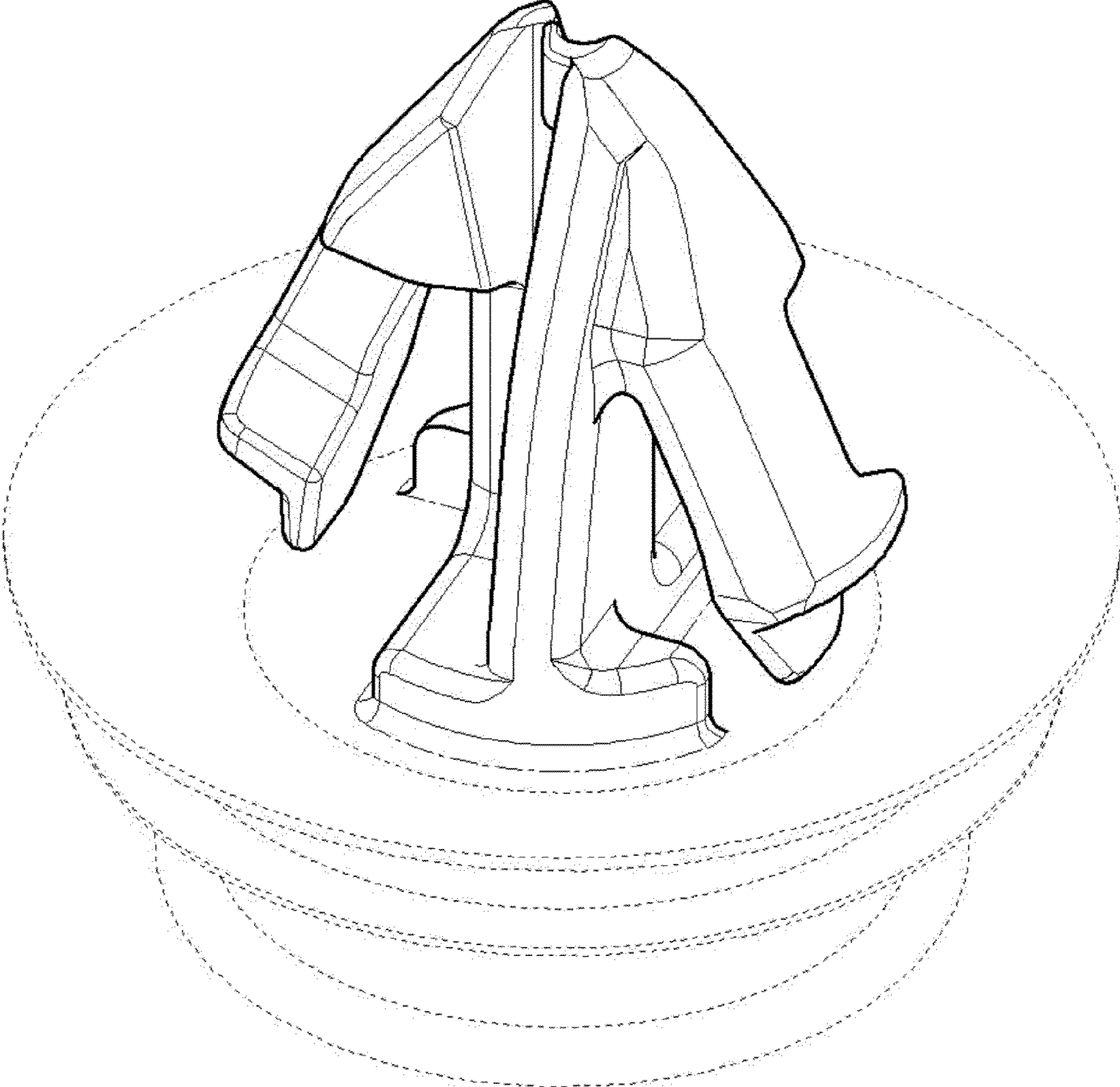


FIG. 2

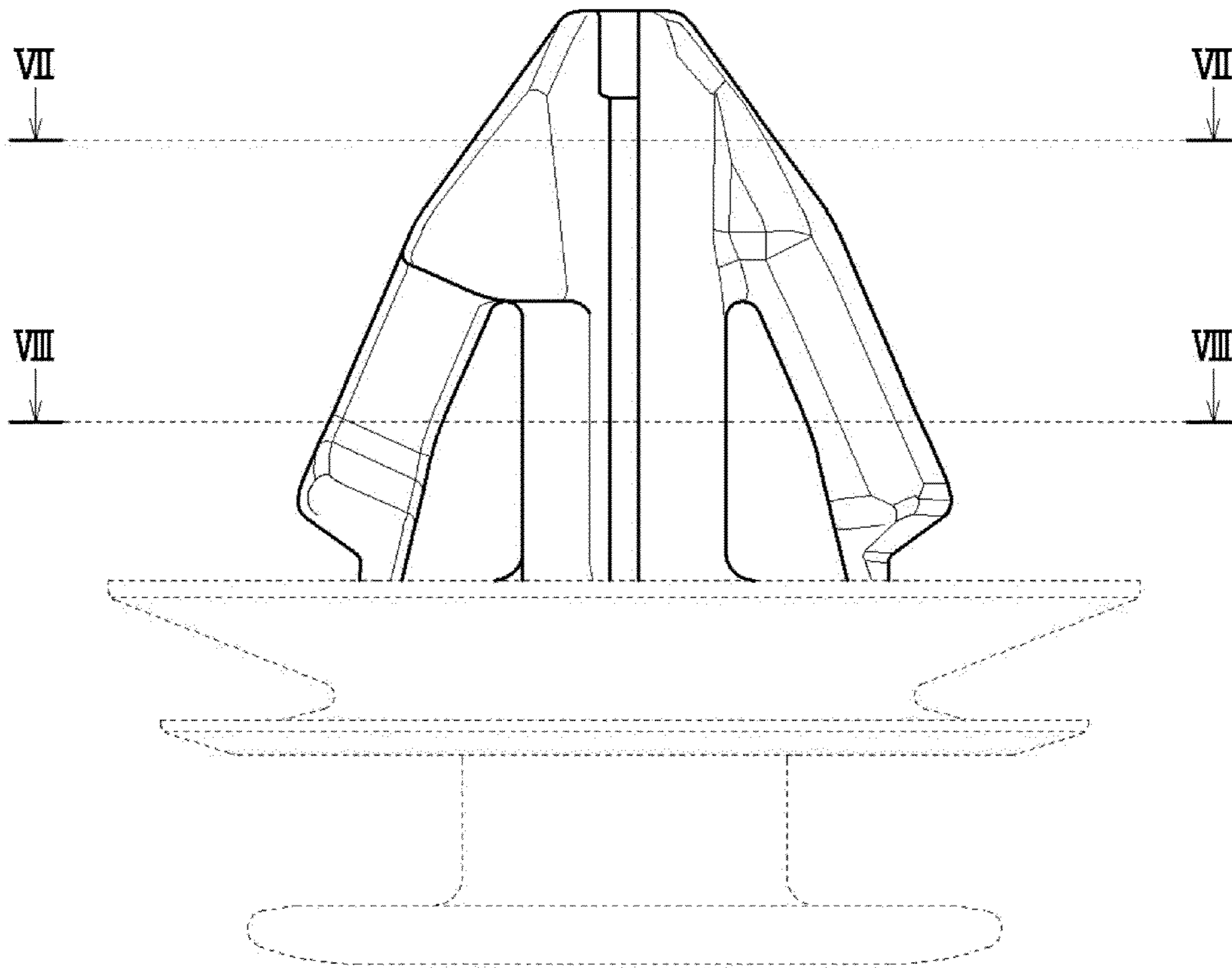


FIG. 3

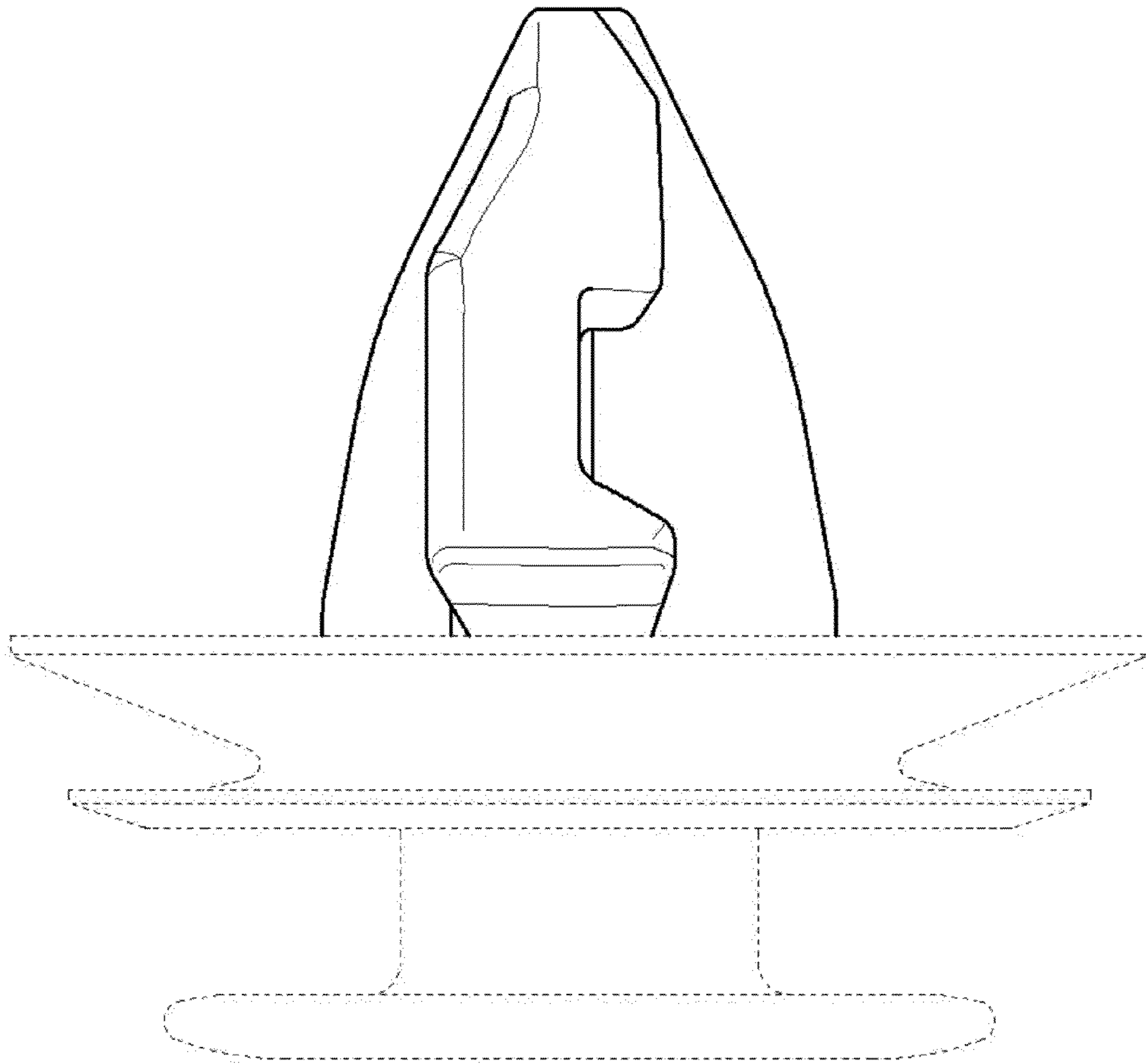


FIG. 4

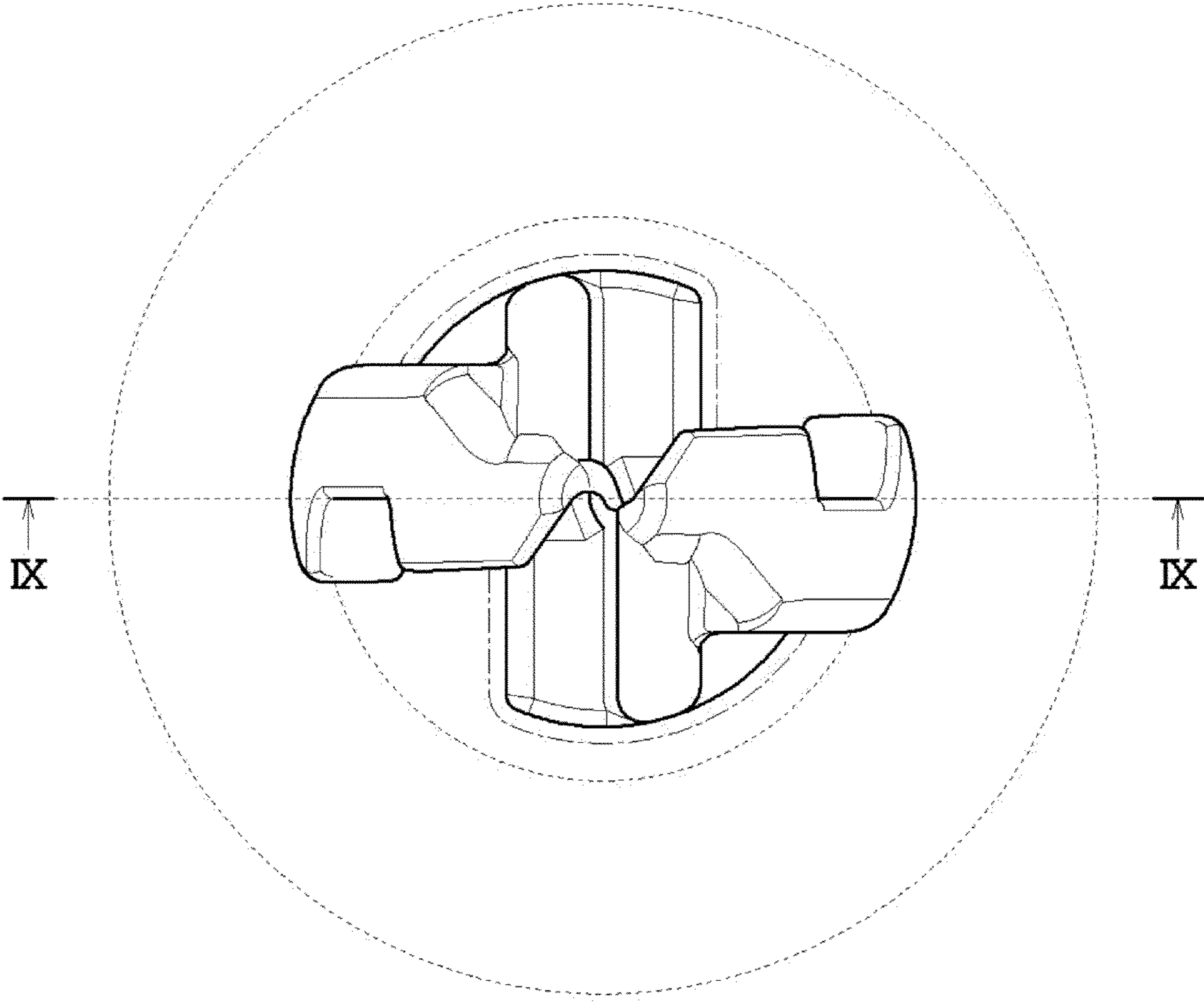


FIG. 5

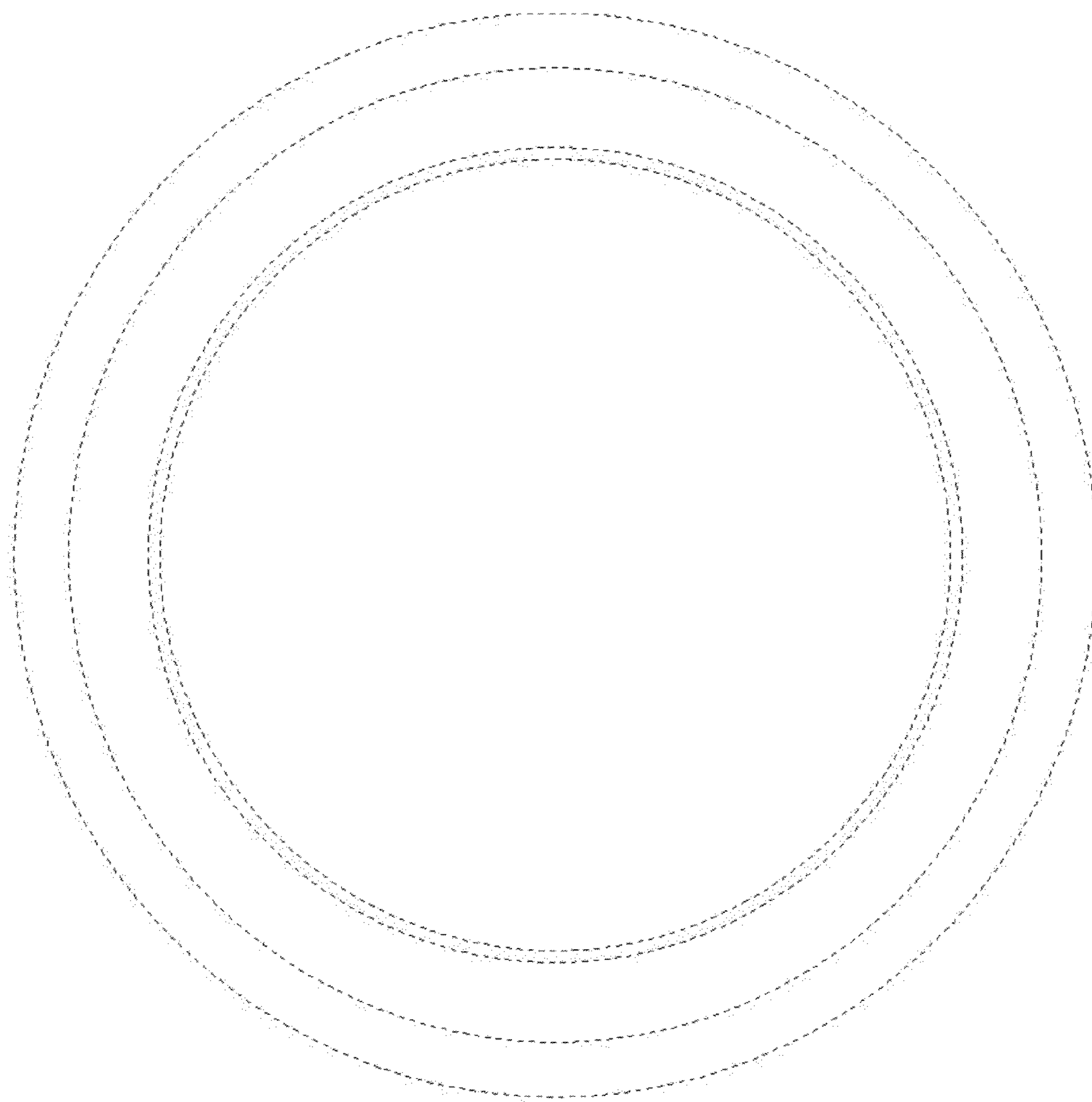


FIG. 6

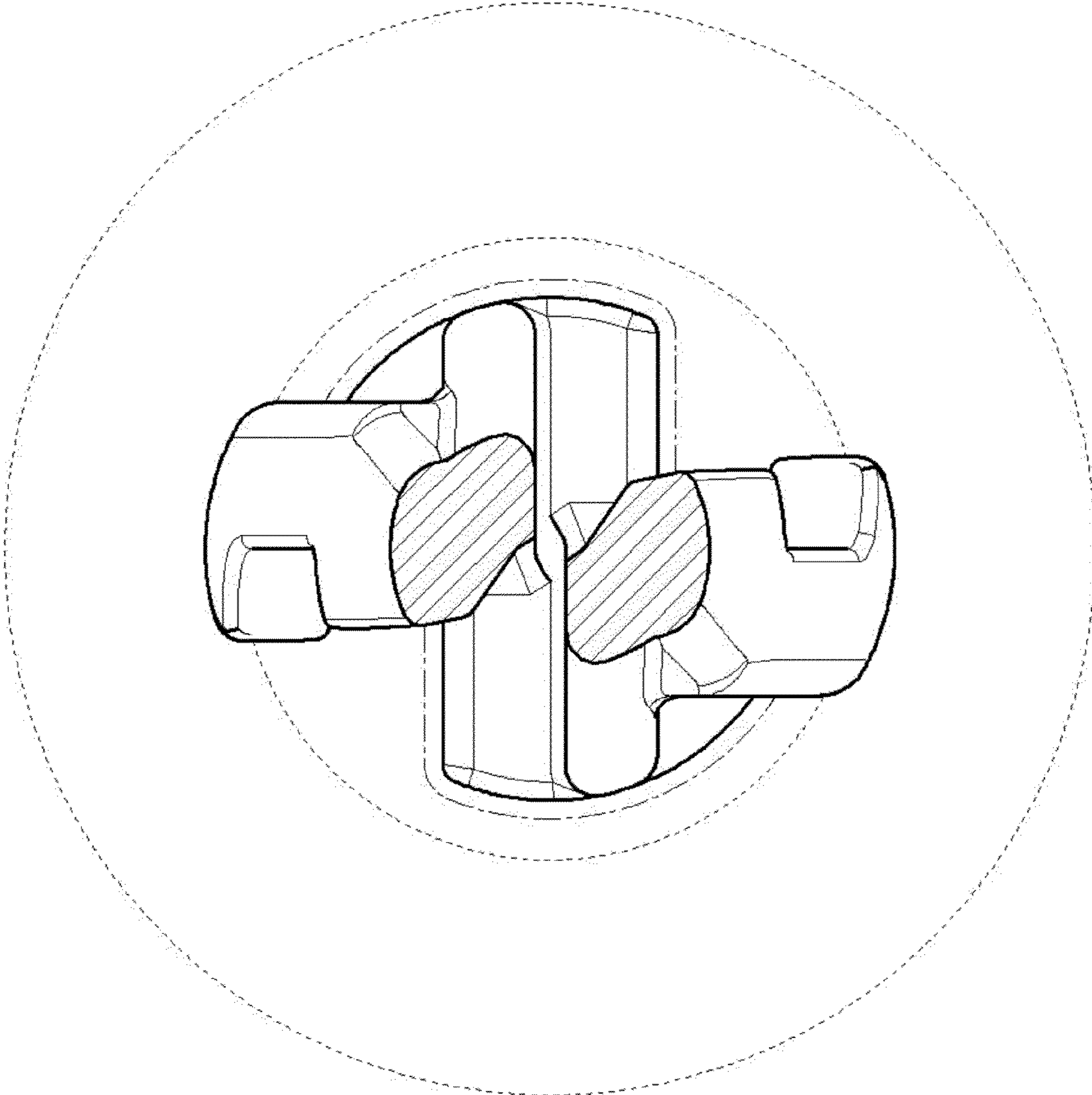


FIG. 7

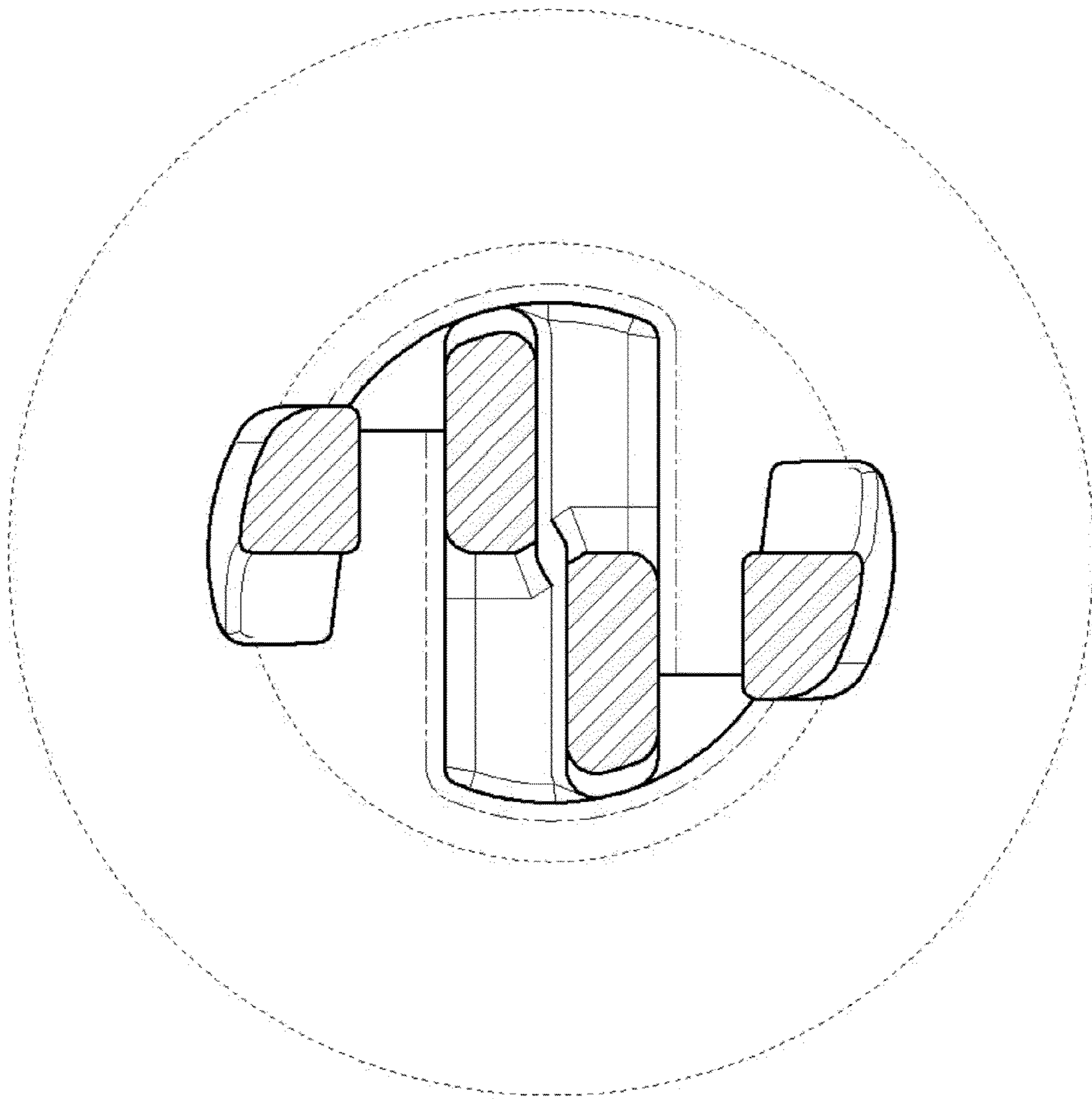


FIG. 8

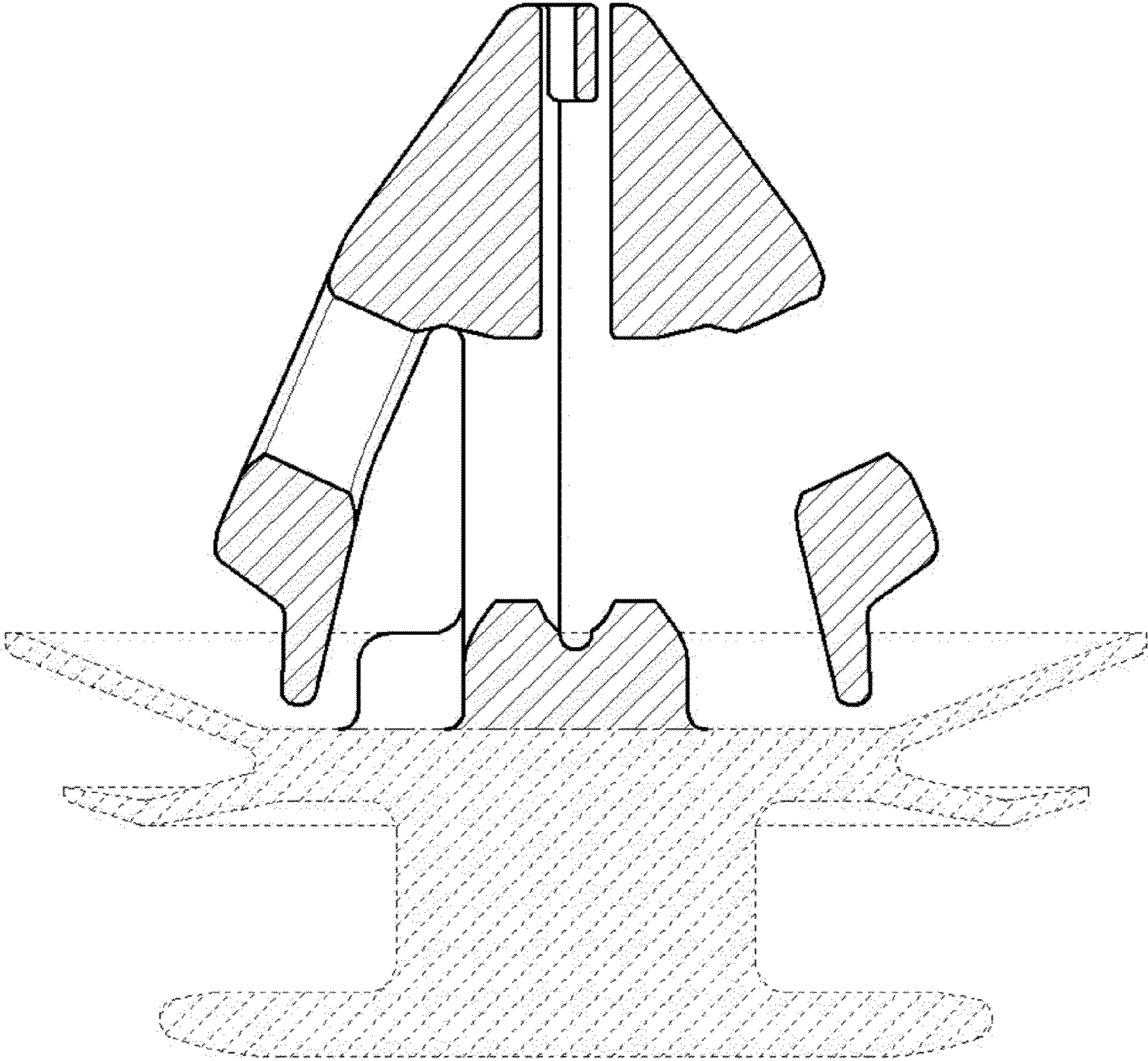


FIG. 9

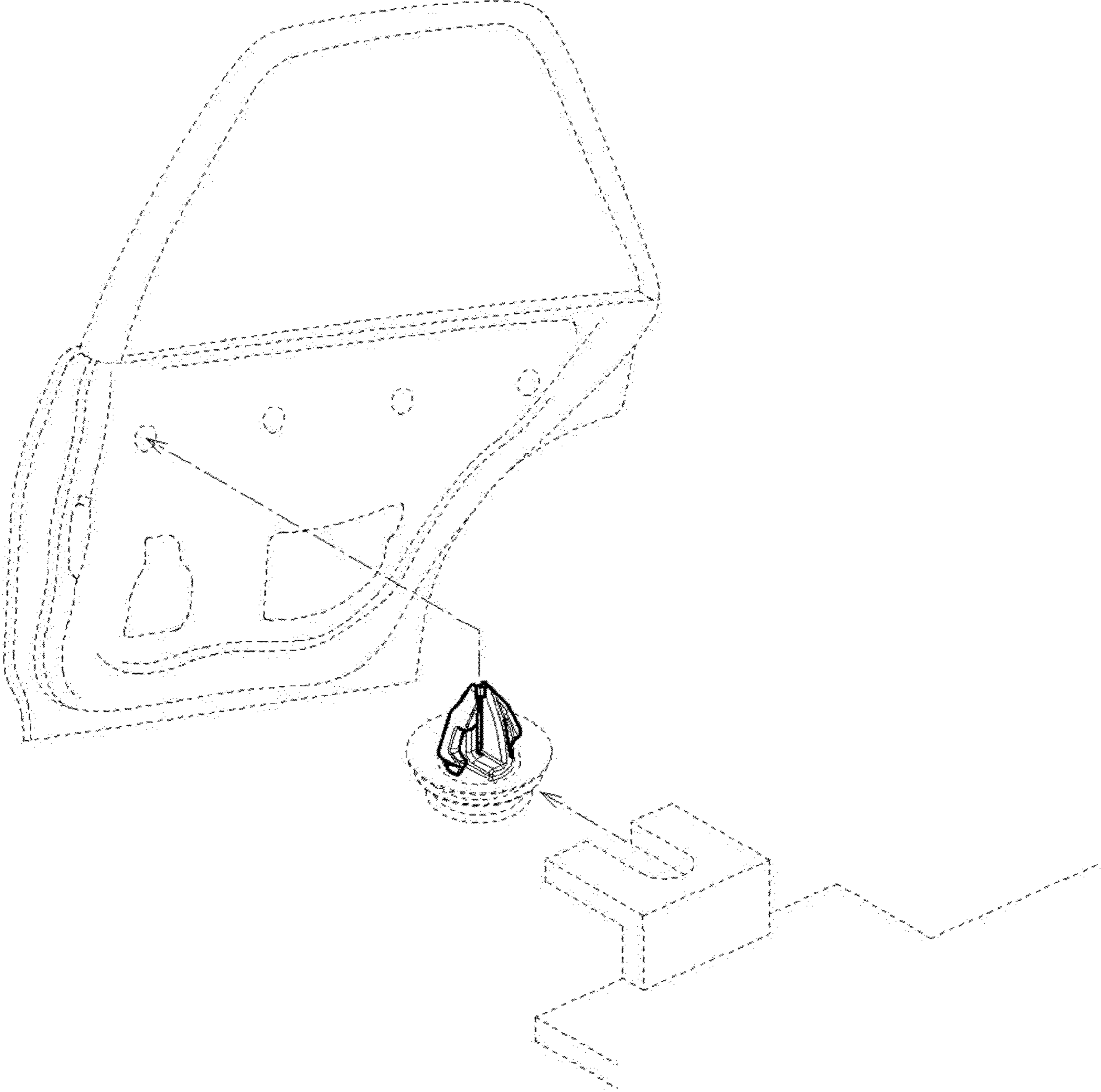


FIG. 10

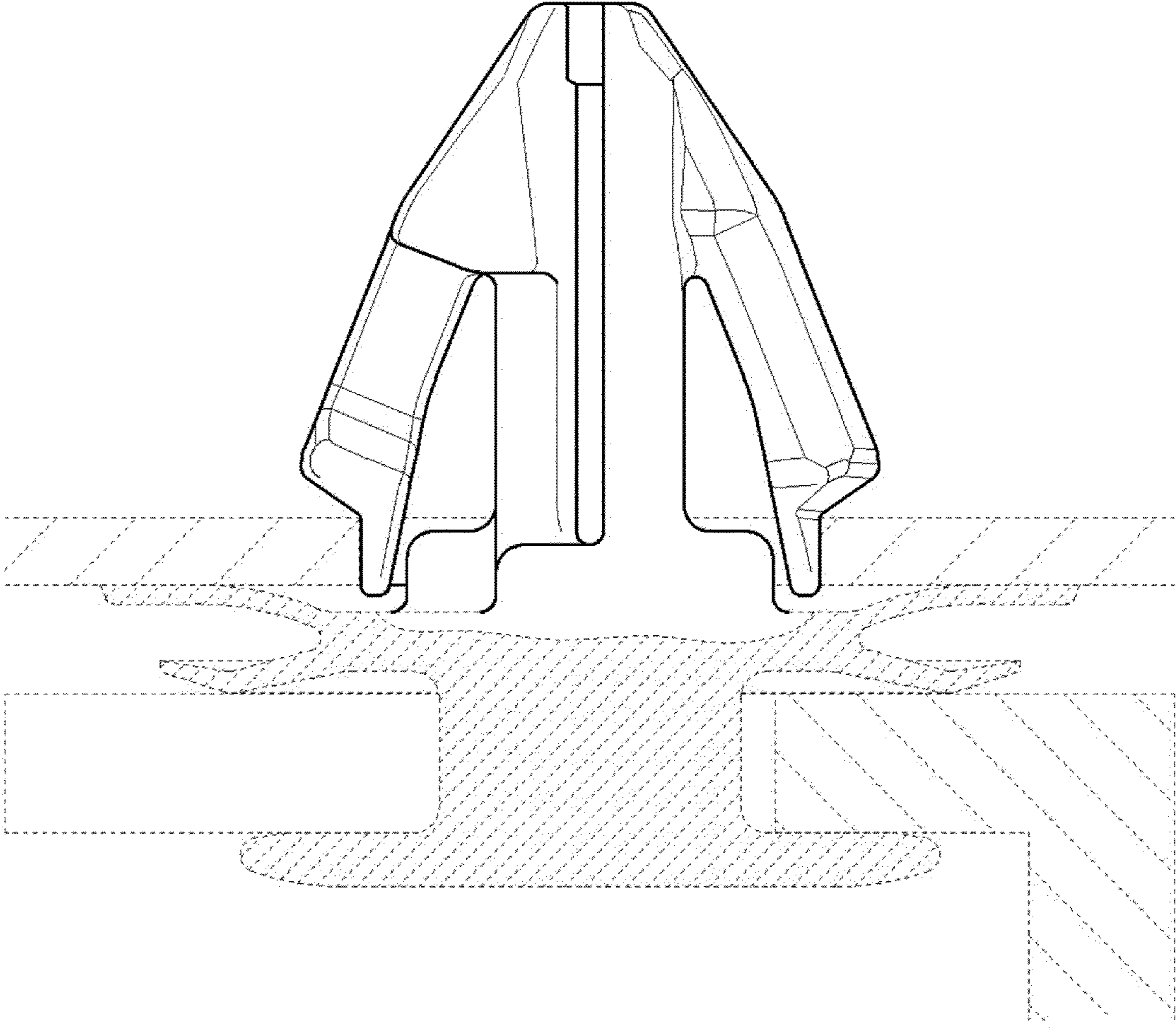


FIG. 11

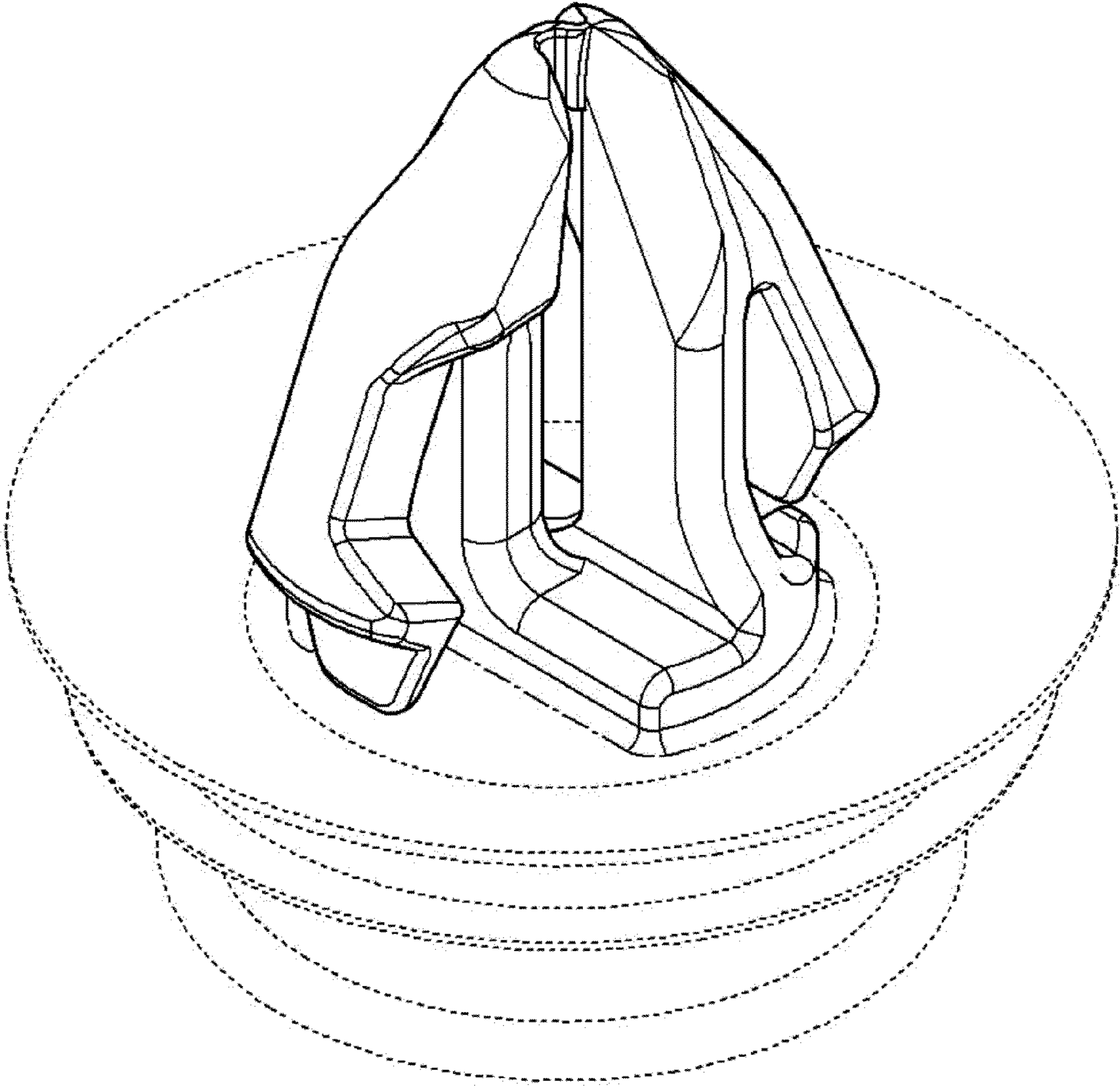


FIG. 12

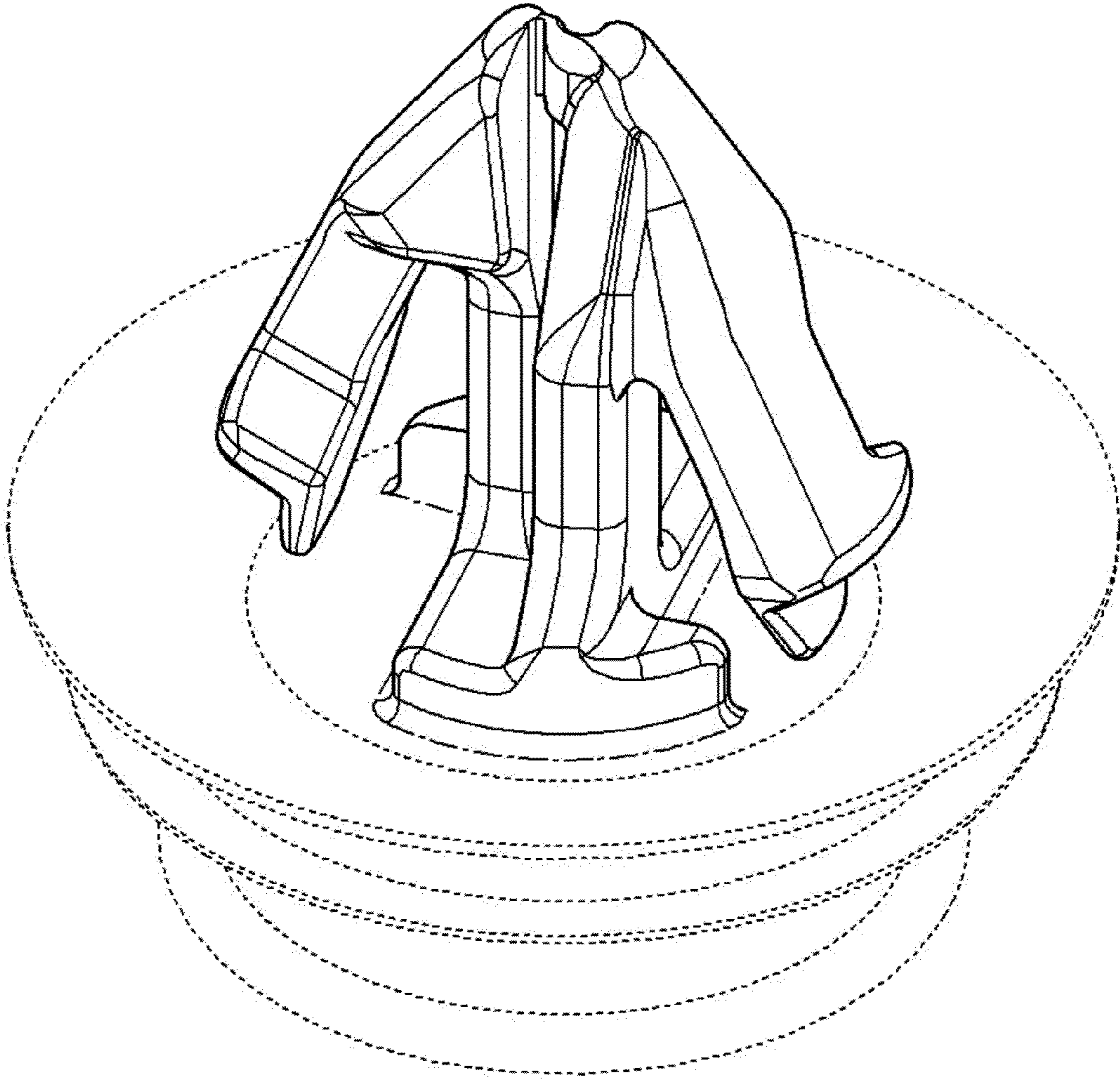


FIG. 13

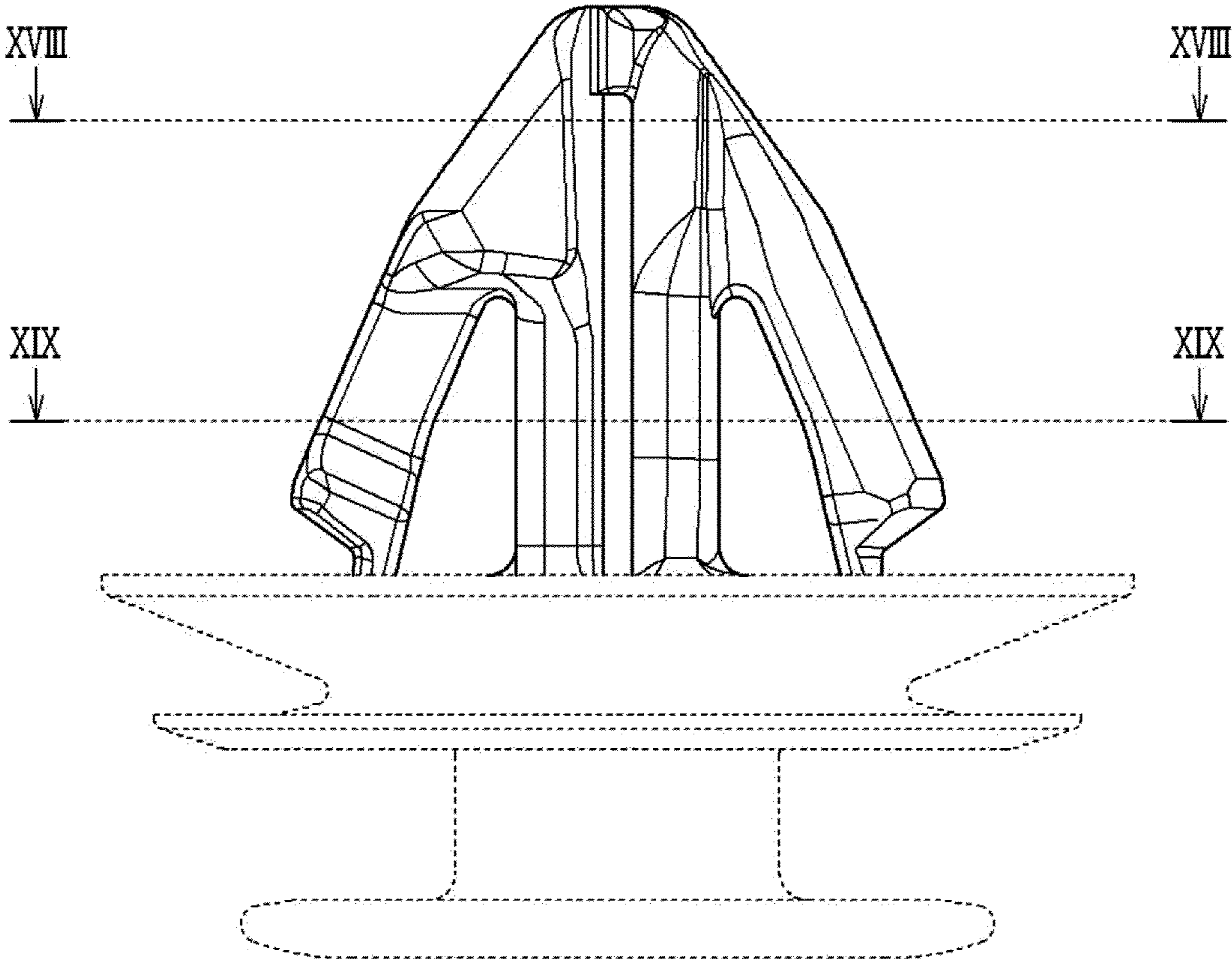


FIG. 14

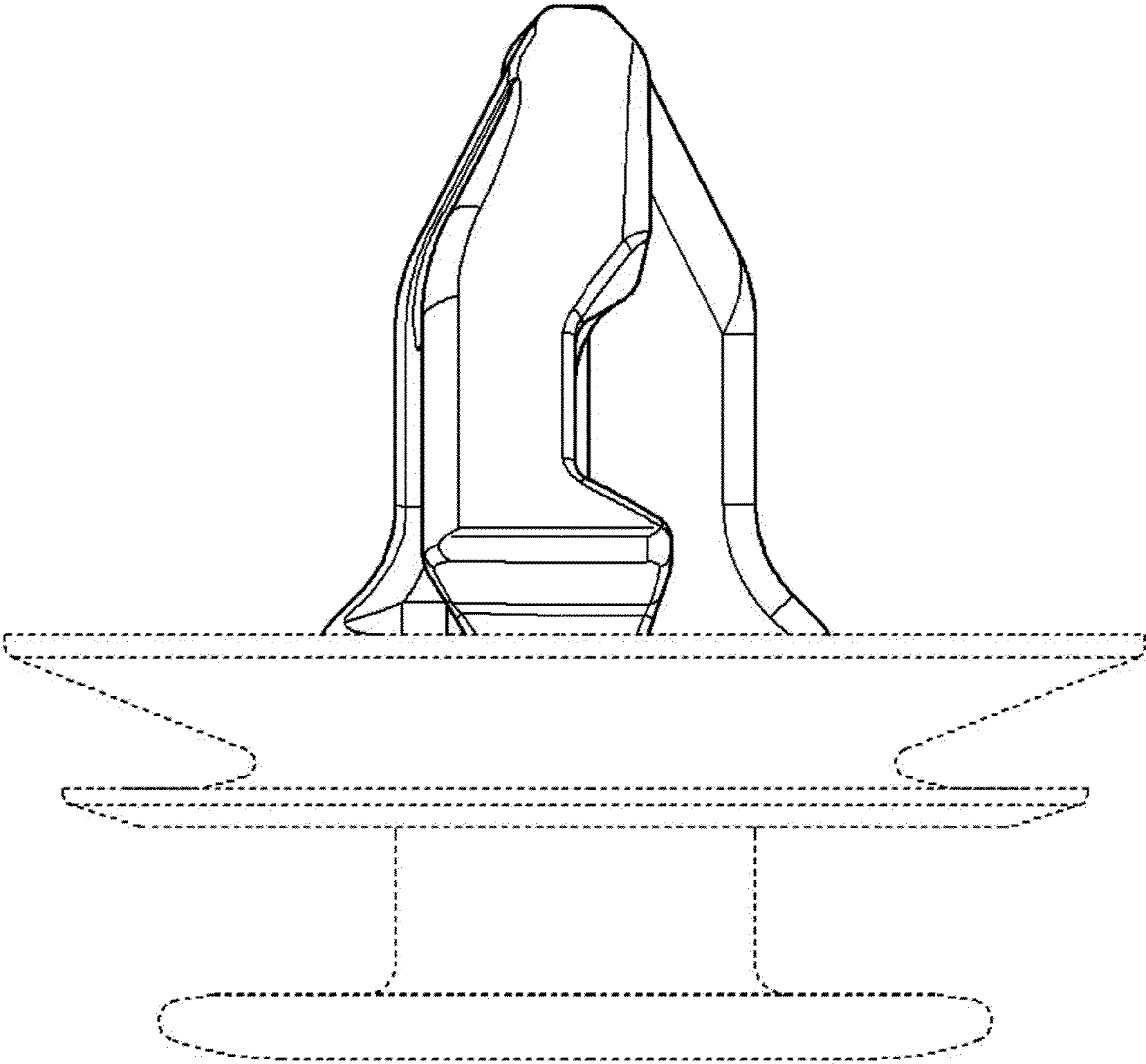


FIG. 15

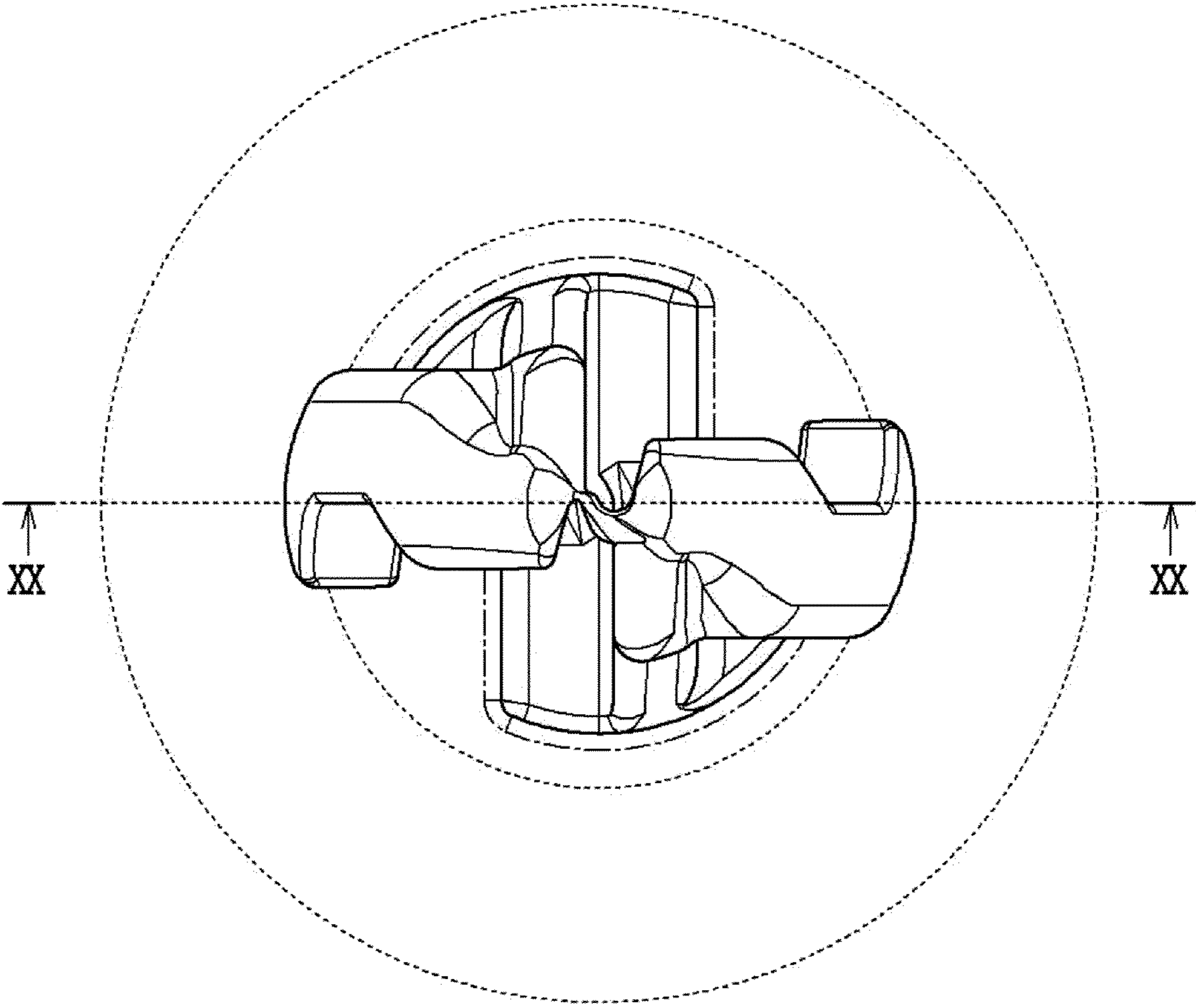


FIG. 16

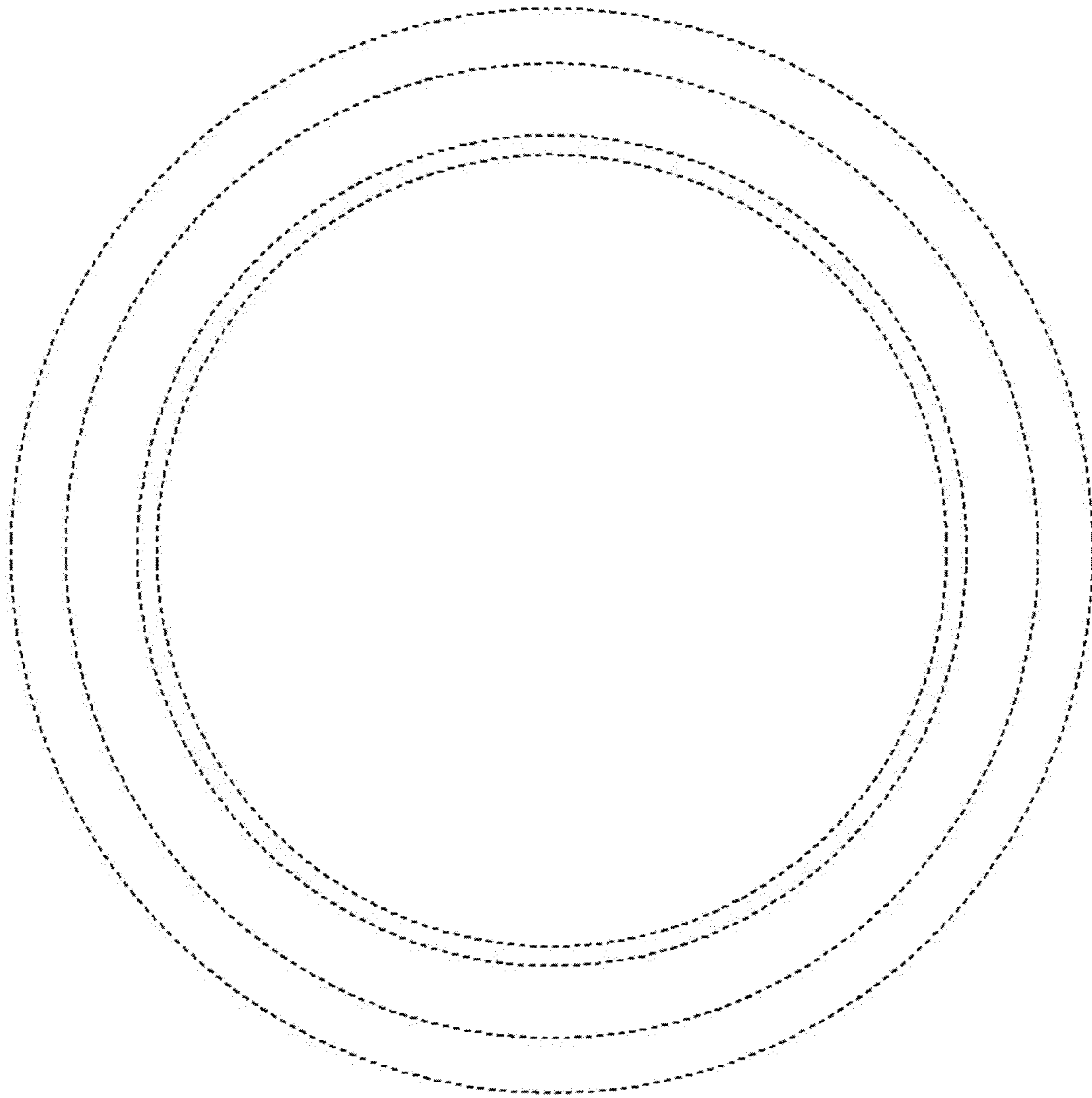


FIG. 17

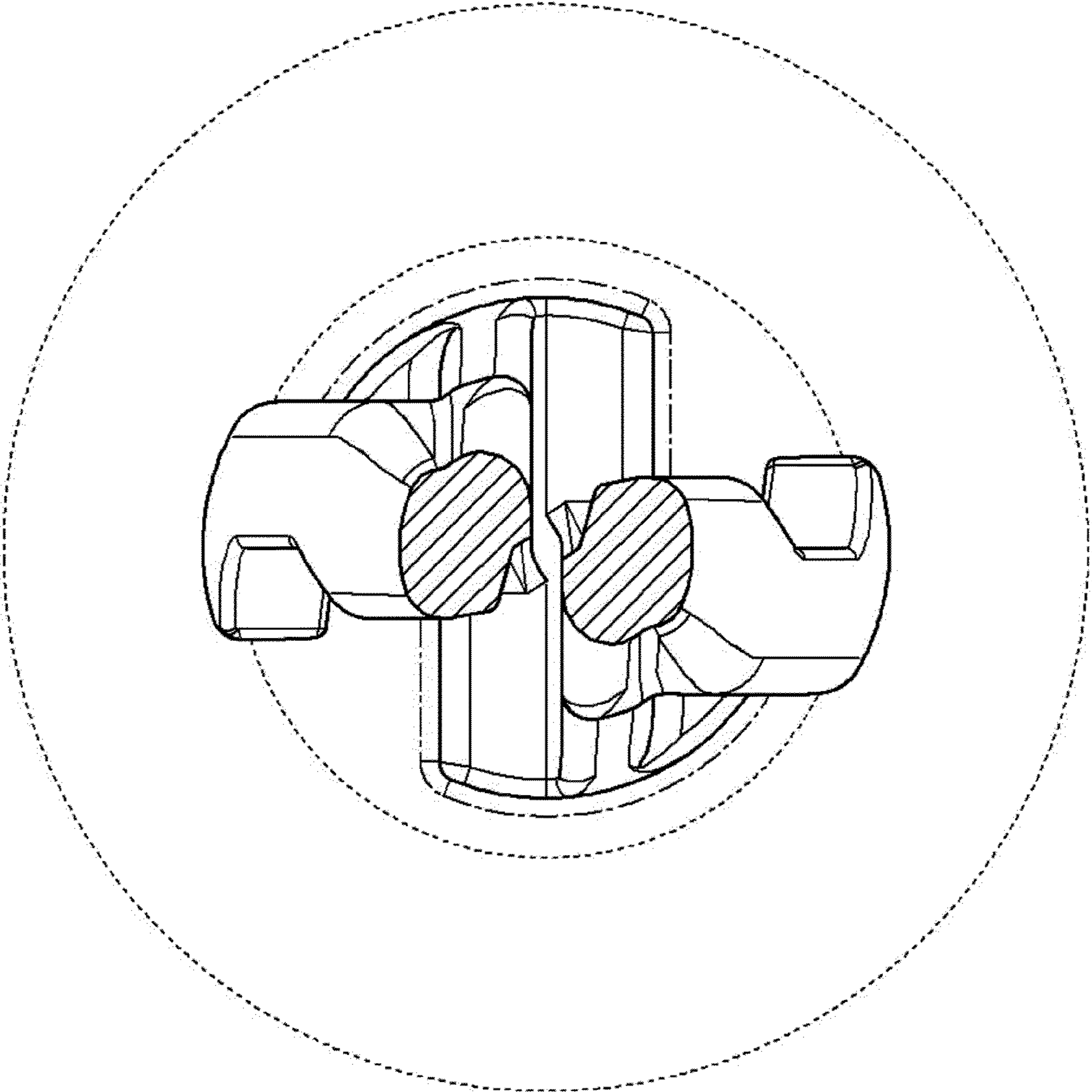


FIG. 18

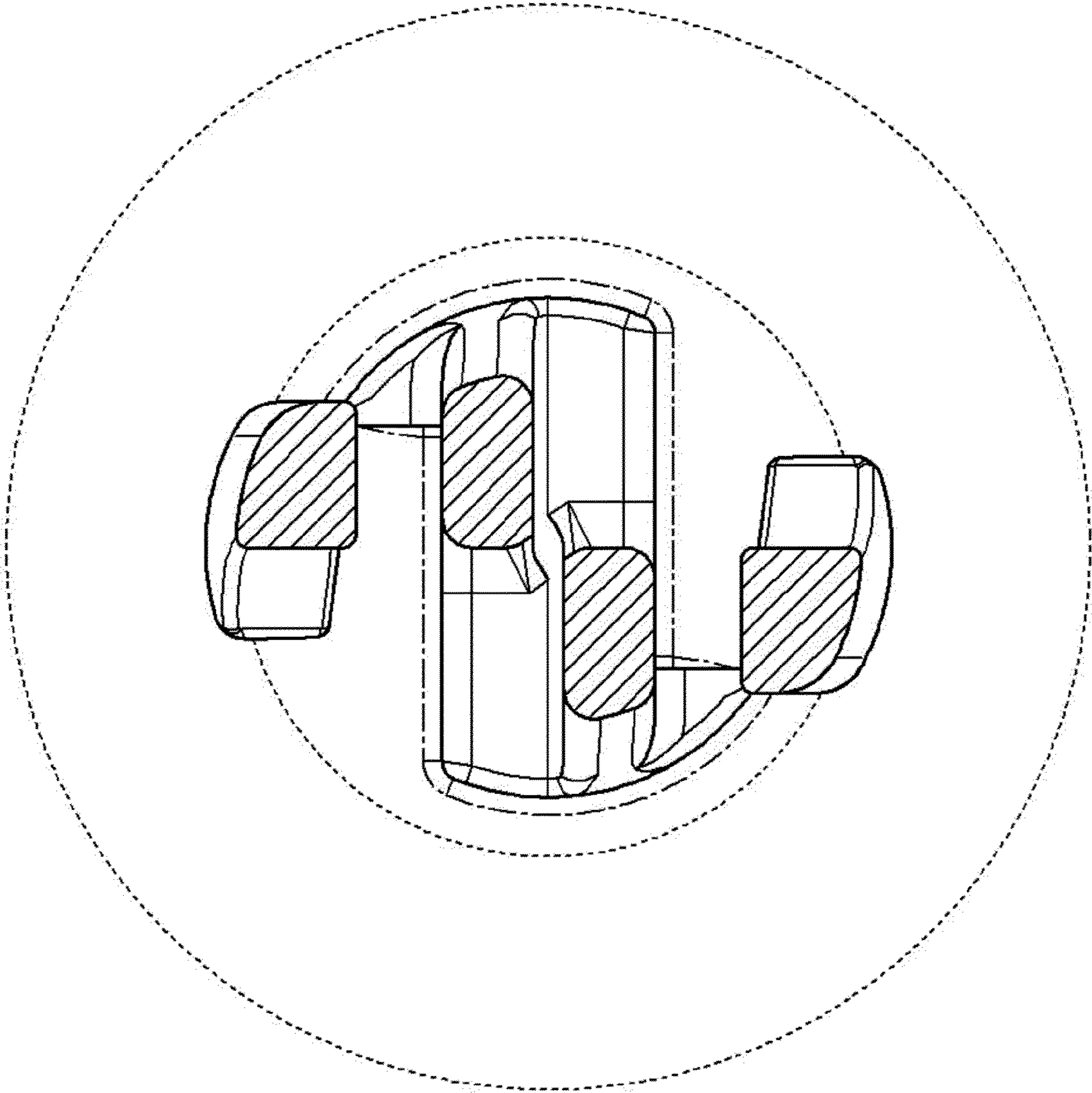


FIG. 19

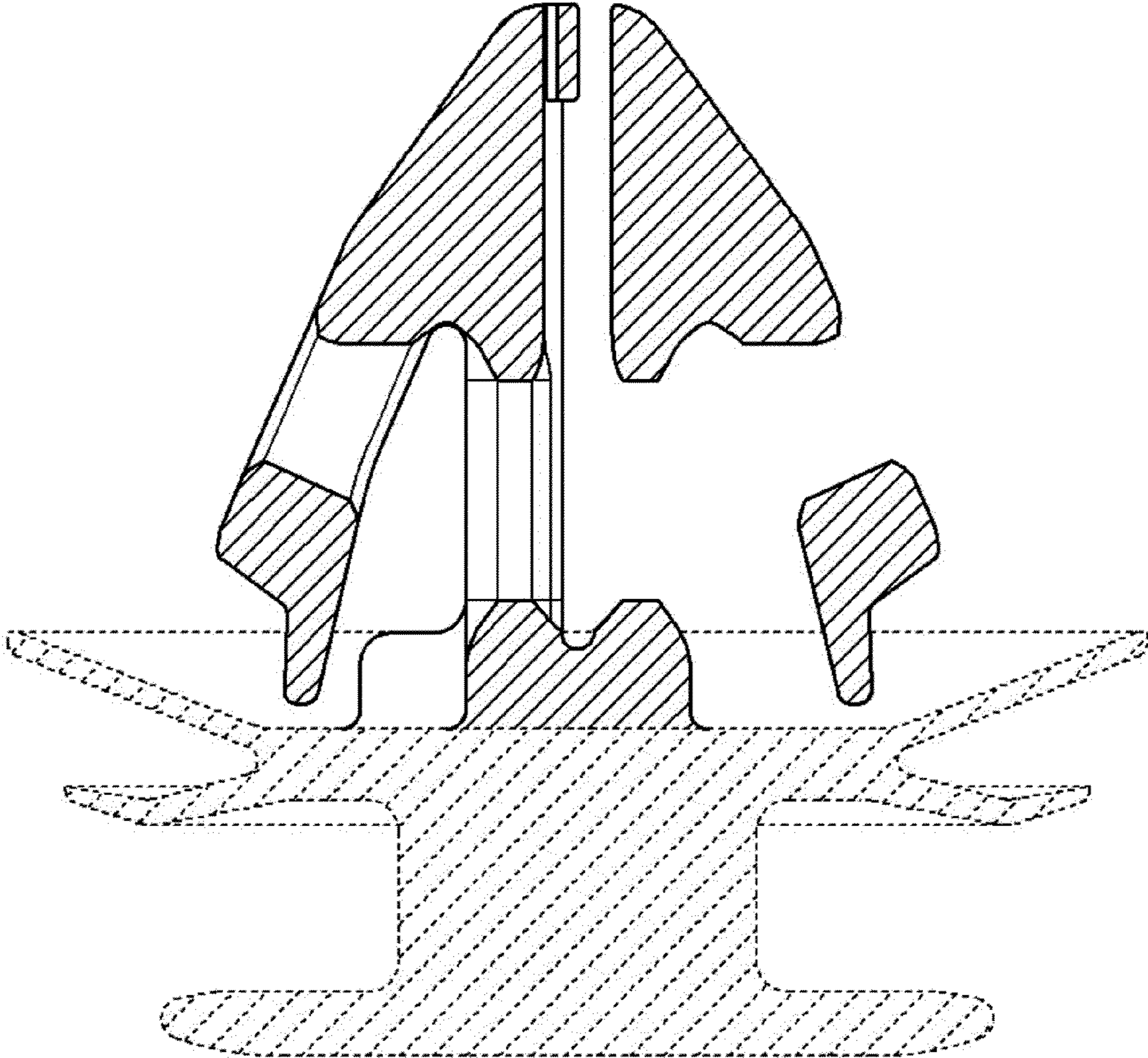


FIG. 20

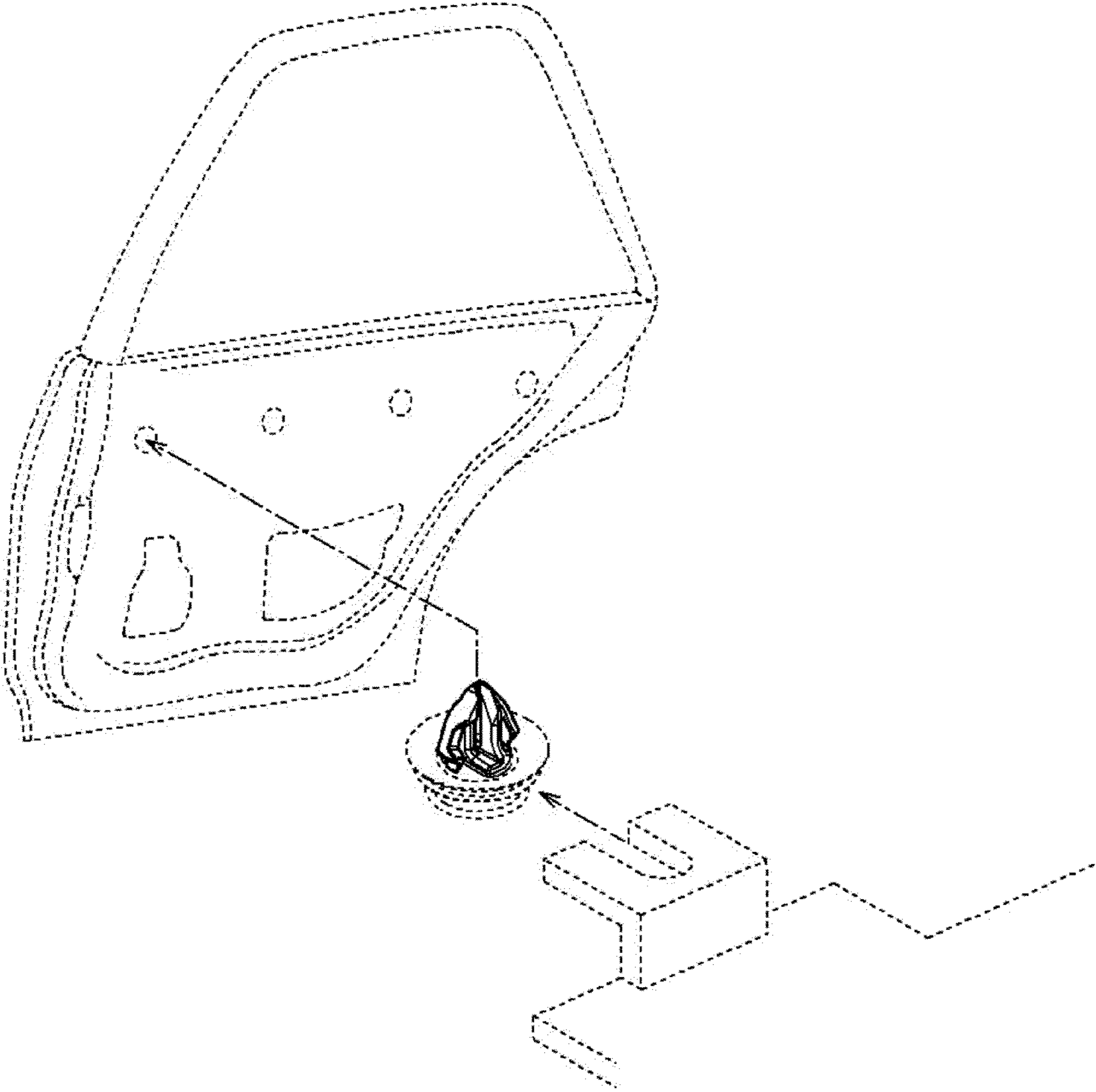


FIG. 21

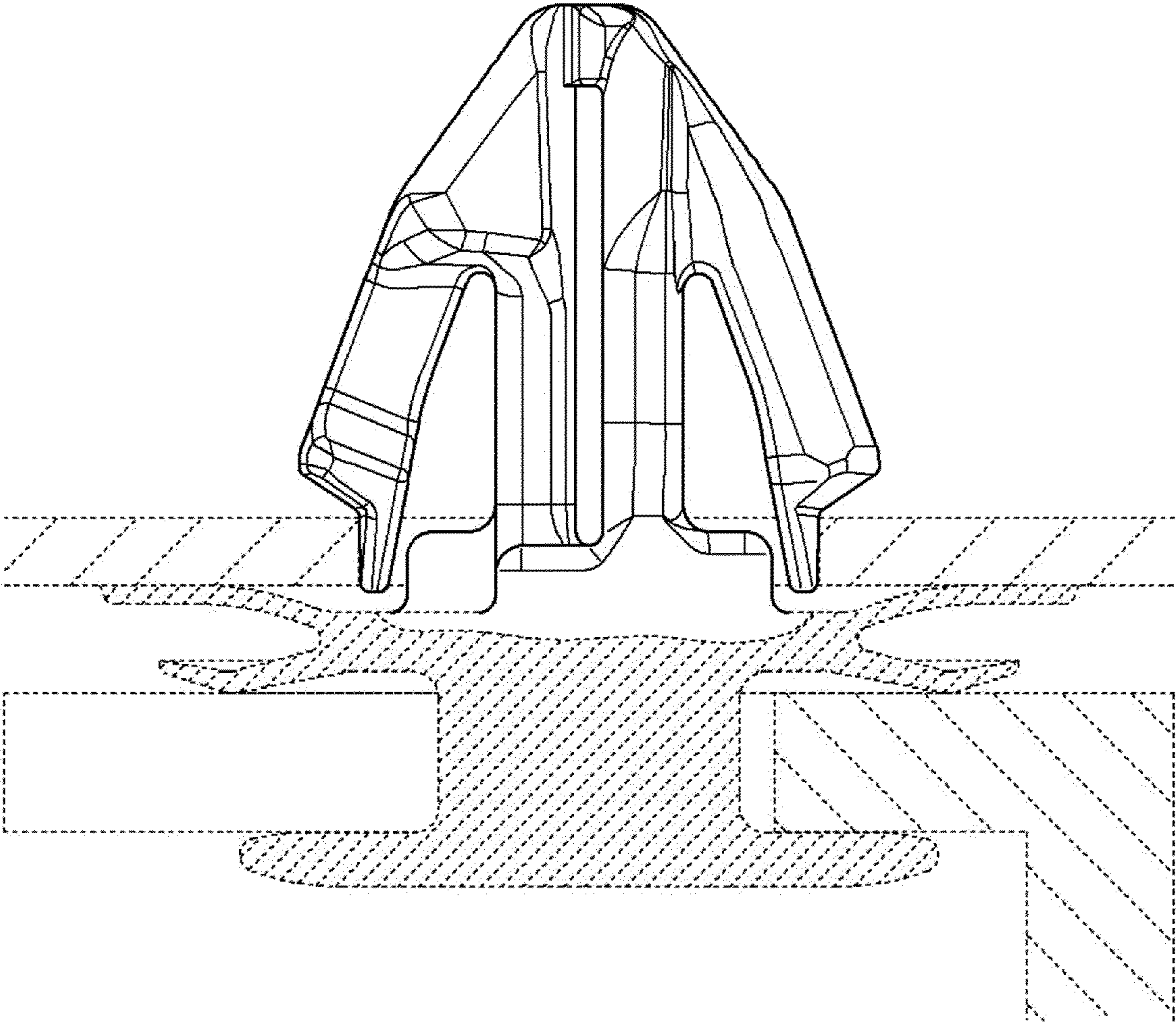


FIG. 22