



US00D701449S

(12) **United States Design Patent**
Xiao

(10) **Patent No.:** **US D701,449 S**
(45) **Date of Patent:** **** Mar. 25, 2014**

(54) **GUITAR HANGER WITH
ADJUSTABLE/SWINGABLE ARMS**

FOREIGN PATENT DOCUMENTS

(75) Inventor: **Steven Xiao**, Daly City, CA (US)

DE 10002045 A1 * 7/2001 F16B 2/02

* cited by examiner

(73) Assignee: **Display Gifts Inc.**, Daly City, CA (US)

Primary Examiner — Holly Baynham

(**) Term: **14 Years**

(57) **CLAIM**

(21) Appl. No.: **29/429,826**

The ornamental design for a guitar hanger with adjustable/
swingable arms, as shown and described.

(22) Filed: **Aug. 17, 2012**

(51) **LOC (10) Cl.** **08-05**

DESCRIPTION

(52) **U.S. Cl.**

USPC **D8/373**; D8/370

(58) **Field of Classification Search**

CPC A47B 96/06; A47B 57/00; A47B 95/00;
A47J 47/16; B25H 3/04; E04G 25/00; A47G
25/02; A47G 29/087; A47G 29/08; F16B
2/02; B65D 85/20; B65D 73/00

USPC D8/367, 370, 373; 248/301–304, 215,
248/339

See application file for complete search history.

FIG. 1 is a perspective view of a guitar hanger with adjustable/
swingable arms;

FIG. 2 is a front elevational view thereof;

FIG. 3 is a rear elevational view thereof;

FIG. 4 is a right-side elevational view thereof;

FIG. 5 is a left-side elevational view thereof;

FIG. 6 is a top plan view thereof;

FIG. 7 is a bottom plan view thereof;

FIG. 8 is a perspective thereof in an alternative position; and,
FIG. 9 is a perspective view of the present invention mounted
to a wall that is part of the environment of the present inven-
tion.

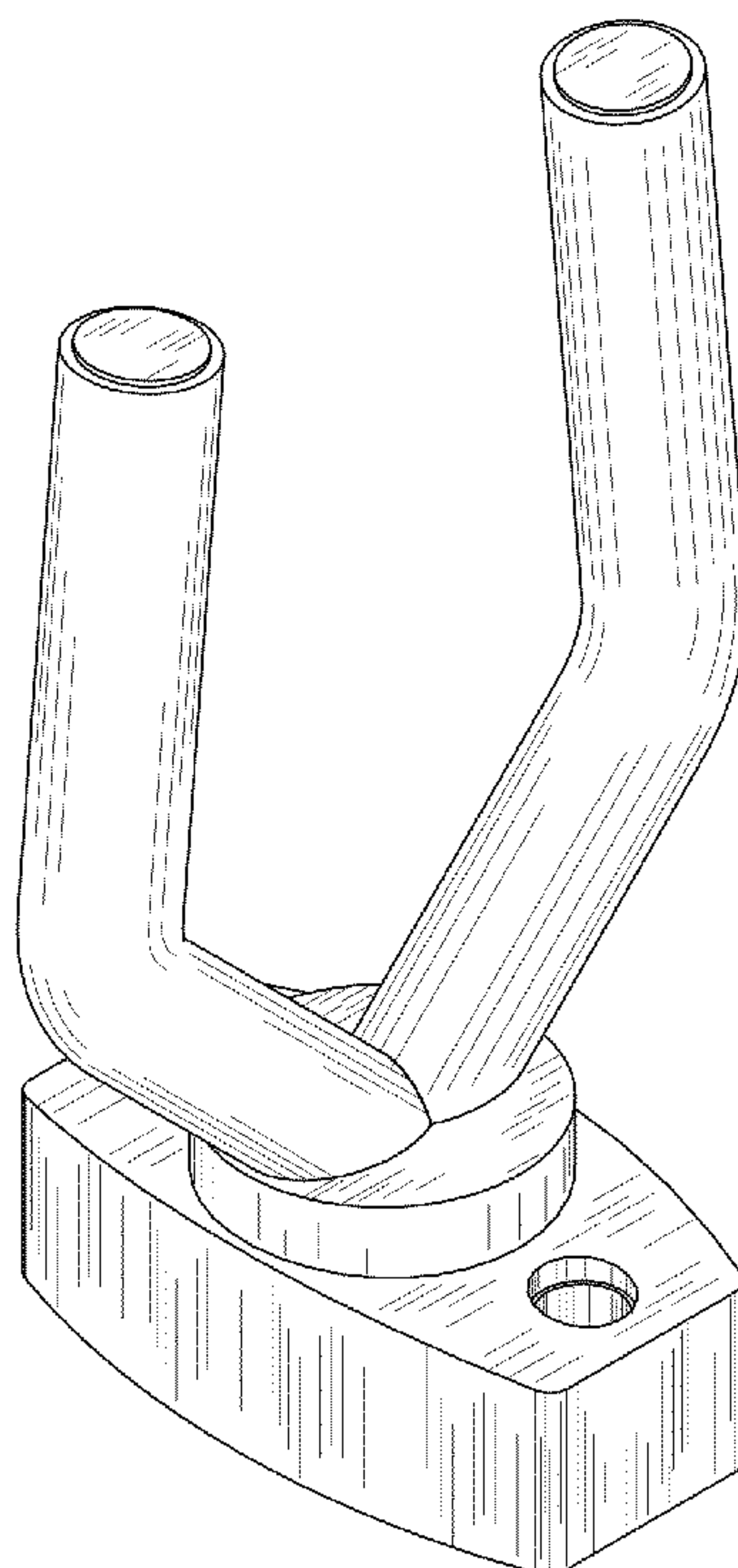
The broken lines showing a wall are for the purposes of
illustrating environment only and form no part of the claimed
design.

(56) **References Cited**

U.S. PATENT DOCUMENTS

2,532,255 A * 11/1950 Davis 248/215
D380,665 S * 7/1997 Berg et al. D8/367
6,231,018 B1 * 5/2001 Barbieri 248/302
D609,940 S * 2/2010 Samu D6/466

1 Claim, 9 Drawing Sheets



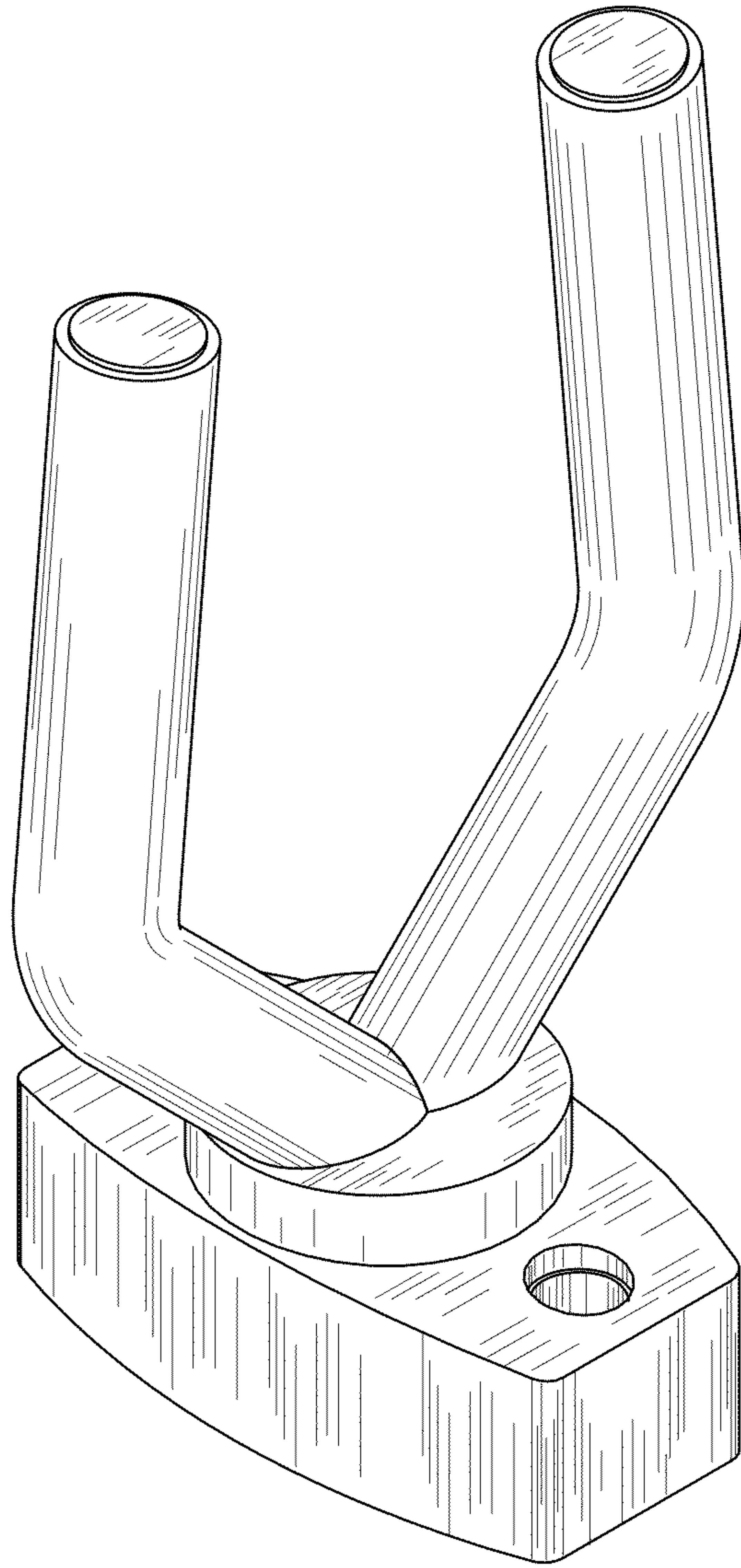


FIG. 1

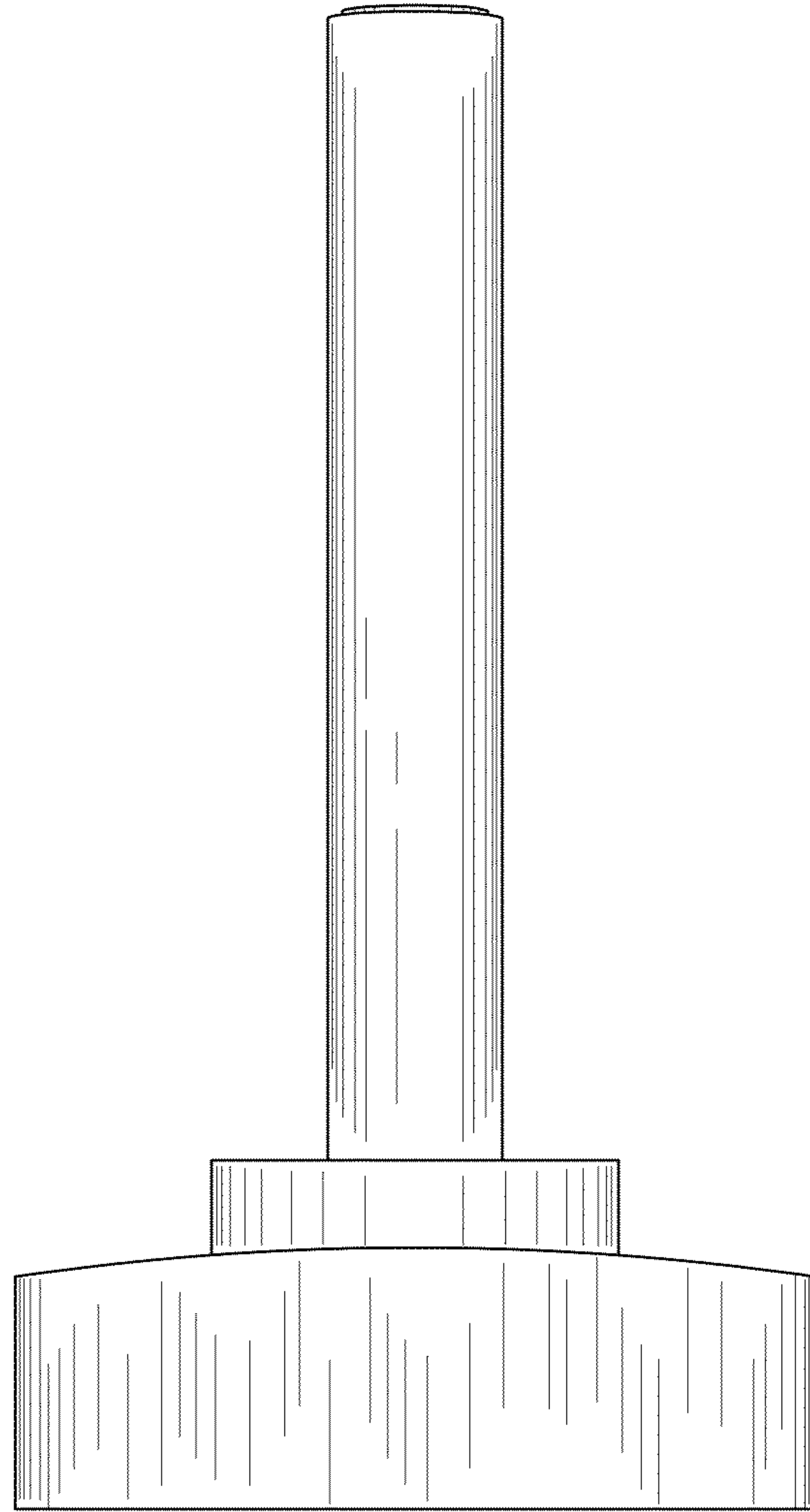


FIG. 2

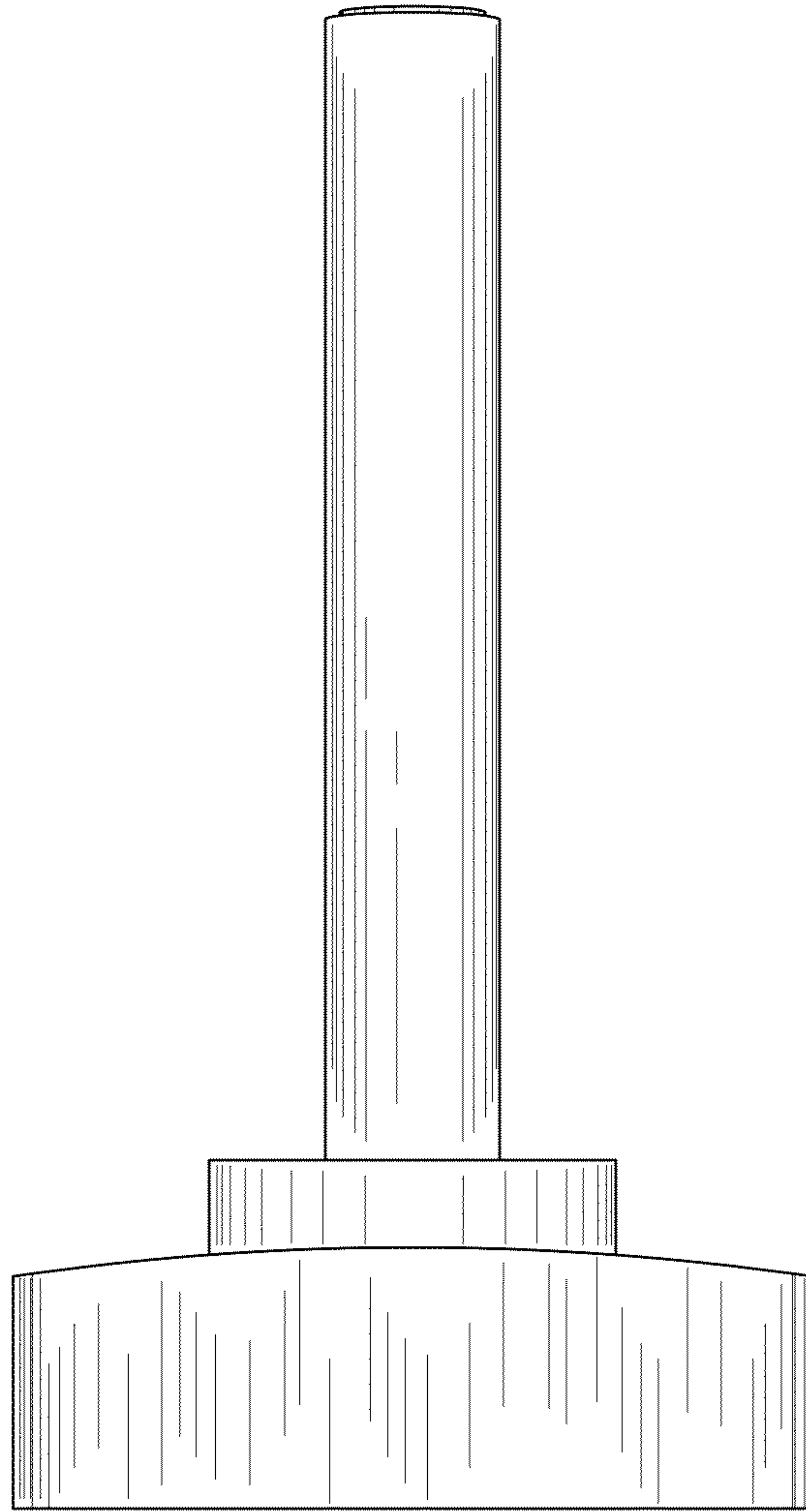


FIG. 3

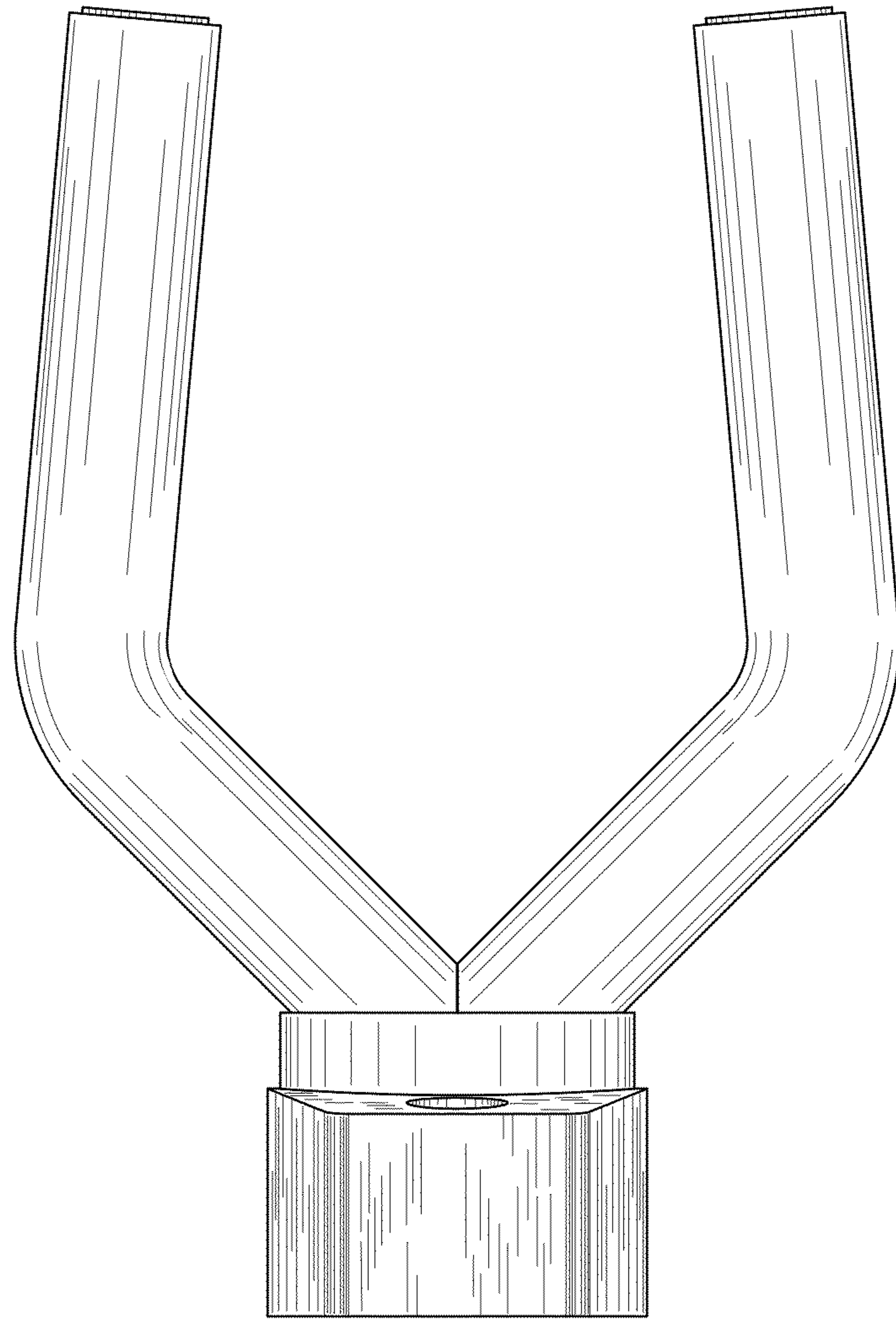


FIG. 4

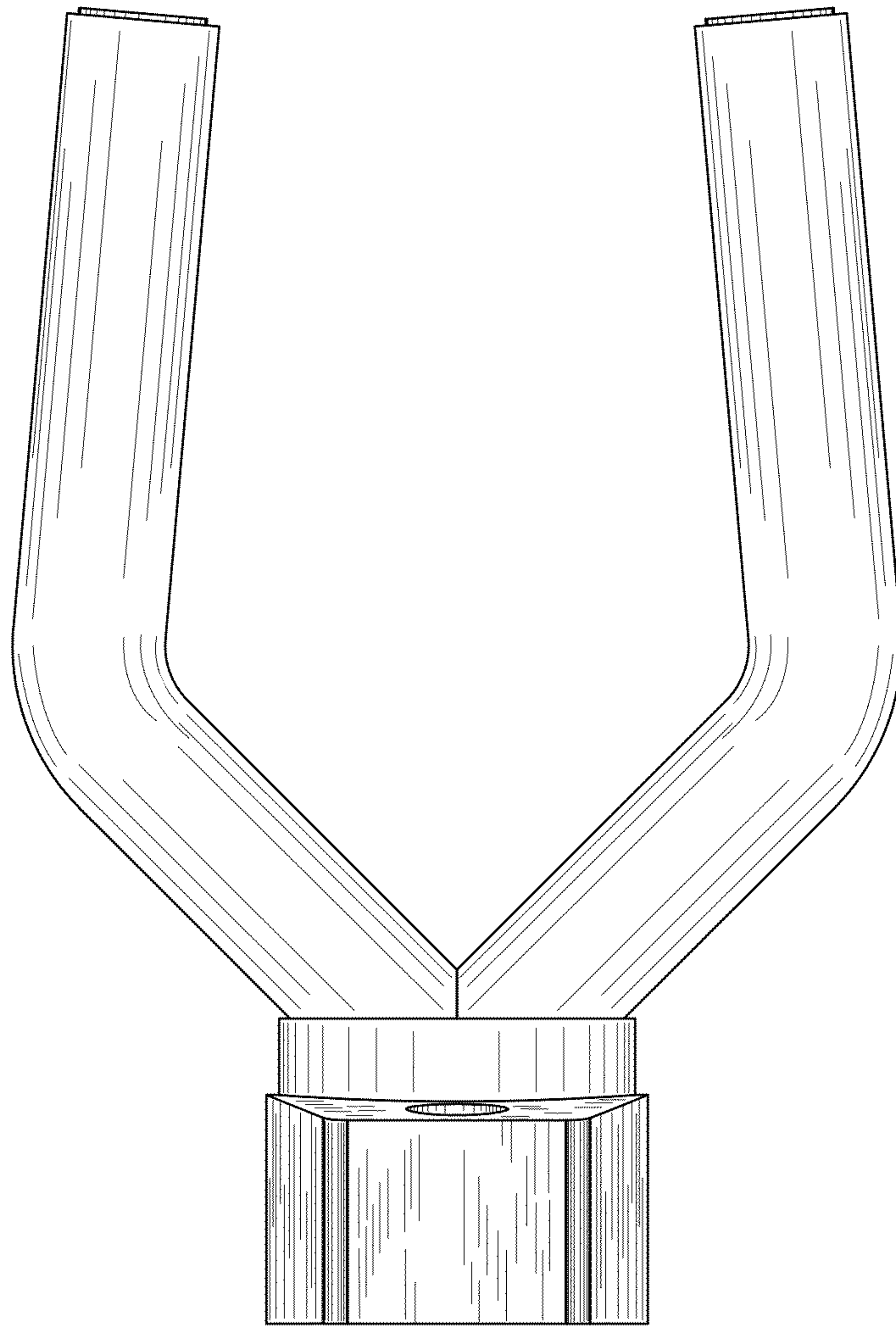


FIG. 5

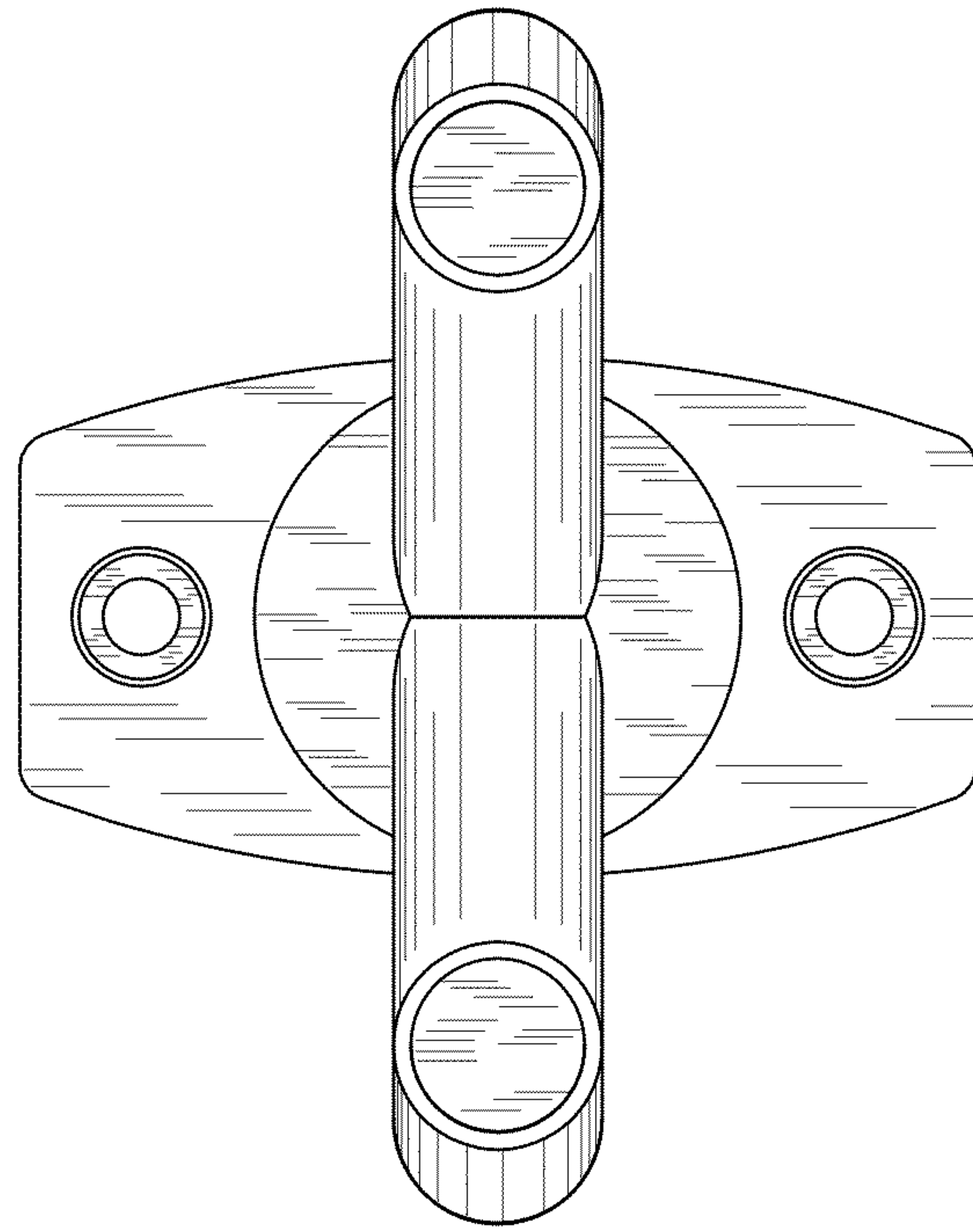


FIG. 6

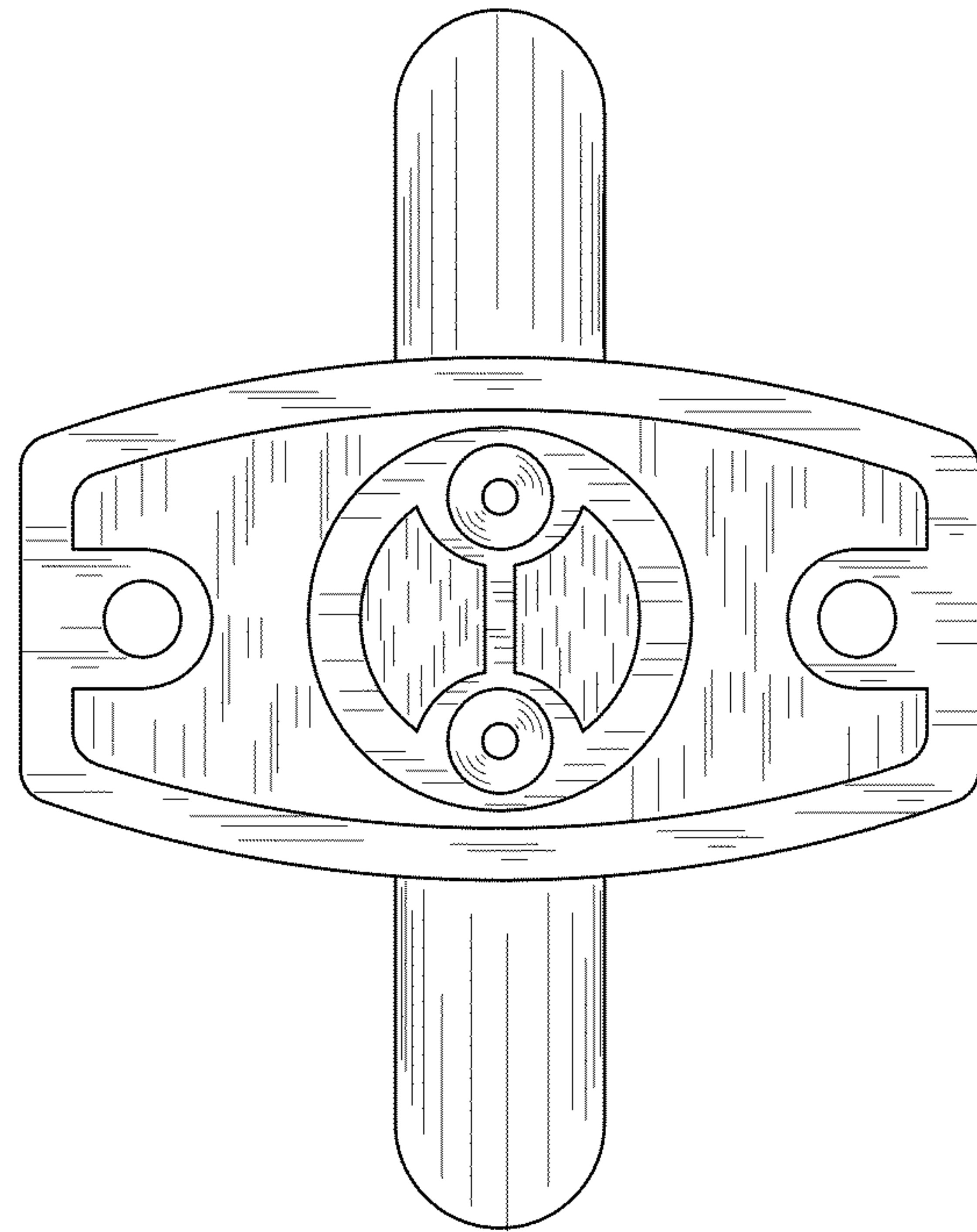


FIG. 7

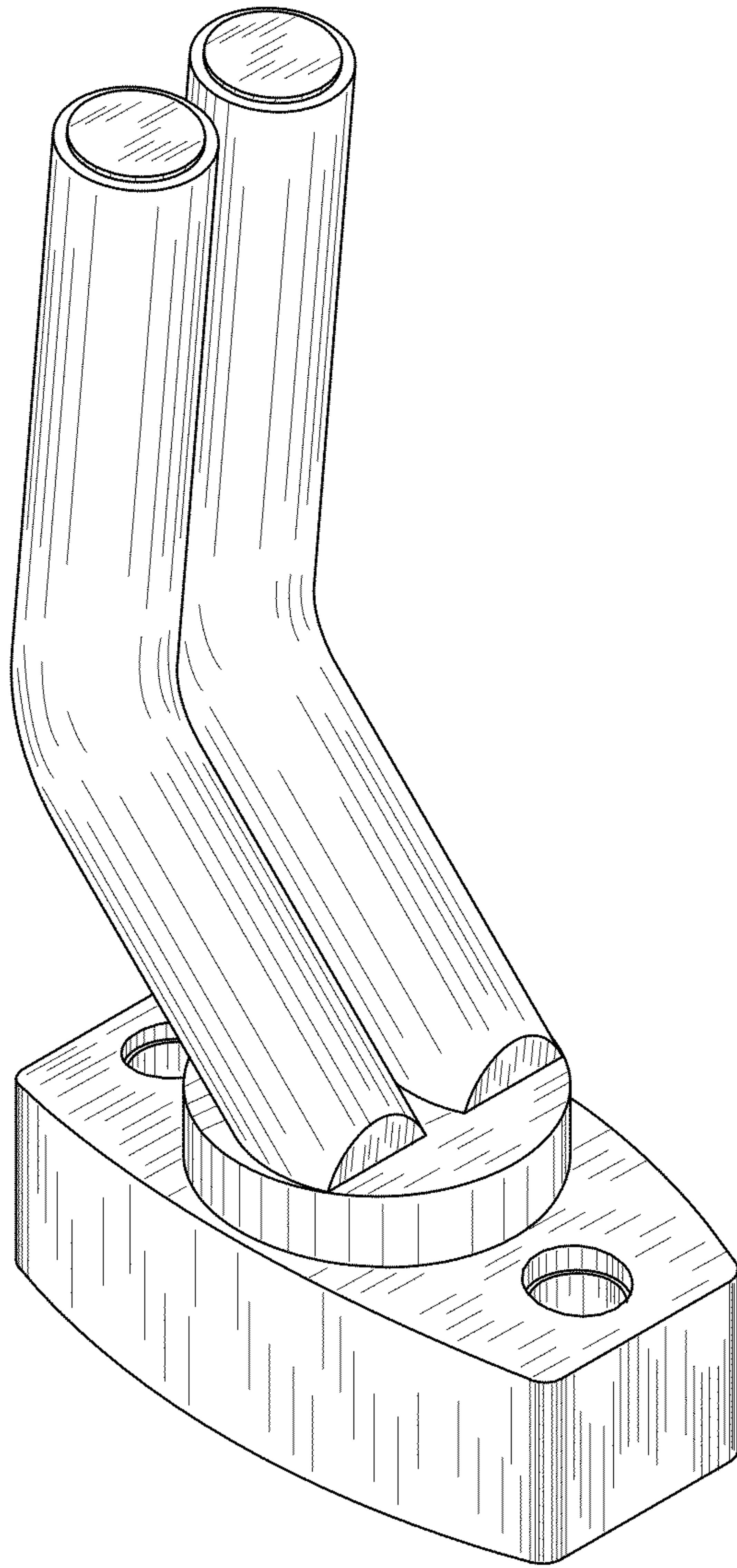


FIG. 8

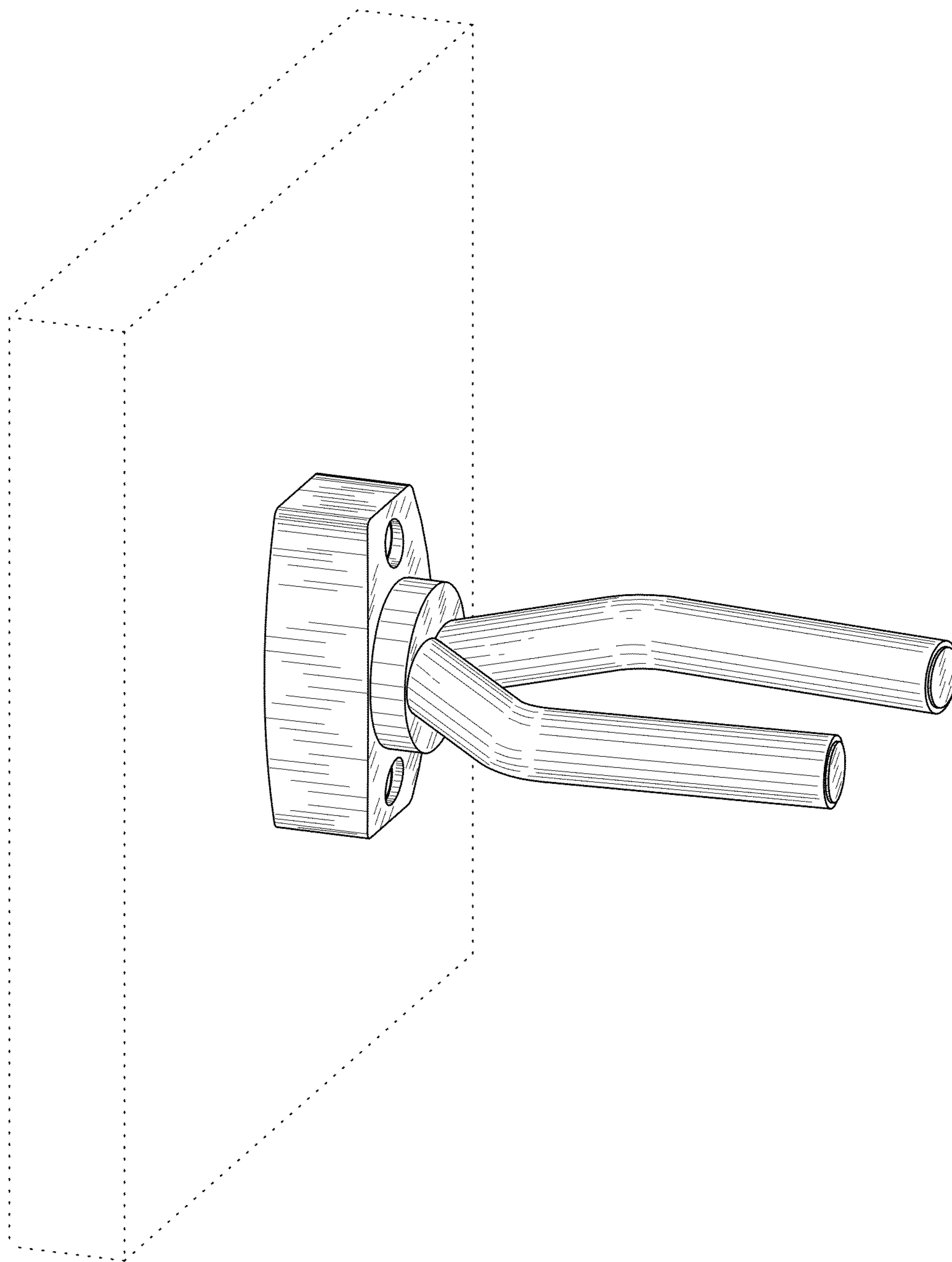


FIG. 9