



US00D701446S

(12) **United States Design Patent**
Luijben et al.

(10) **Patent No.:** **US D701,446 S**
(45) **Date of Patent:** **** Mar. 25, 2014**

(54) **FOLDING ARM MOUNT**

(75) Inventors: **Stefan Luijben**, Helmond (NL); **Sjors Eerens**, Eindhoven (NL)

(73) Assignee: **Vogel's Holding B.V.** (NL)

(**) Term: **14 Years**

(21) Appl. No.: **29/405,003**

(22) Filed: **Oct. 27, 2011**

(30) **Foreign Application Priority Data**

Apr. 27, 2011 (EM) 001855792-0001

(51) **LOC (10) Cl.** **08-05**

(52) **U.S. Cl.**
USPC **D8/355**

(58) **Field of Classification Search**

USPC D8/363, 380, 381, 373, 354, 349, 355;
D14/224, 209, 251, 238, 229, 432, 451,
D14/452, 447, 448, 457; D6/574, 454;
248/126, 286.1, 274.1, 309.1, 291.1,
248/284.1, 240, 124.1, 917-920

See application file for complete search history.

(56) **References Cited**

U.S. PATENT DOCUMENTS

D357,406 S * 4/1995 Whitaker D8/380
D435,852 S * 1/2001 Oddsen, Jr. D14/452
D488,708 S * 4/2004 Lam et al. D8/363
D494,183 S * 8/2004 Wills et al. D14/452
D507,477 S * 7/2005 Pfister D8/363
D520,017 S * 5/2006 van Kuijk et al. D14/452
D529,033 S * 9/2006 Hung D14/452
D534,789 S * 1/2007 Worrall et al. D8/363
D538,633 S * 3/2007 Ly Hau et al. D8/363
D539,123 S * 3/2007 Ly Hau et al. D8/363
D556,205 S * 11/2007 Wohlford et al. D14/452
D557,125 S * 12/2007 Worrall et al. D8/380

D557,126 S * 12/2007 Worrall et al. D8/380
D559,662 S * 1/2008 Sculler et al. D8/380
D566,531 S * 4/2008 Massoumi et al. D8/363
D568,325 S * 5/2008 Muday et al. D14/452
D577,730 S * 9/2008 Rutten D14/452
D584,734 S * 1/2009 Chu D14/452
D611,802 S * 3/2010 Li D8/363
D630,623 S * 1/2011 Molter et al. D14/239
D631,052 S * 1/2011 Hung D14/452
D660,843 S * 5/2012 Kaluza D14/452
D679,282 S * 4/2013 Liu et al. D14/452
2004/0159757 A1 * 8/2004 Pfister 248/284.1

* cited by examiner

Primary Examiner — Mark Goodwin

(74) *Attorney, Agent, or Firm* — Miller & Martin PLLC

(57) **CLAIM**

The ornamental design for the folding arm mount, as shown and described.

DESCRIPTION

FIG. 1 is a top front right perspective view of the folding arm mount showing our new design;

FIG. 2 is a top back left perspective view of the folding arm mount;

FIG. 3 is a top front right perspective view of the unfolded folding arm mount;

FIG. 4 is a front plan view of the folding arm mount shown in FIG. 1;

FIG. 5 is a back plan view of the folding arm mount shown in FIG. 1;

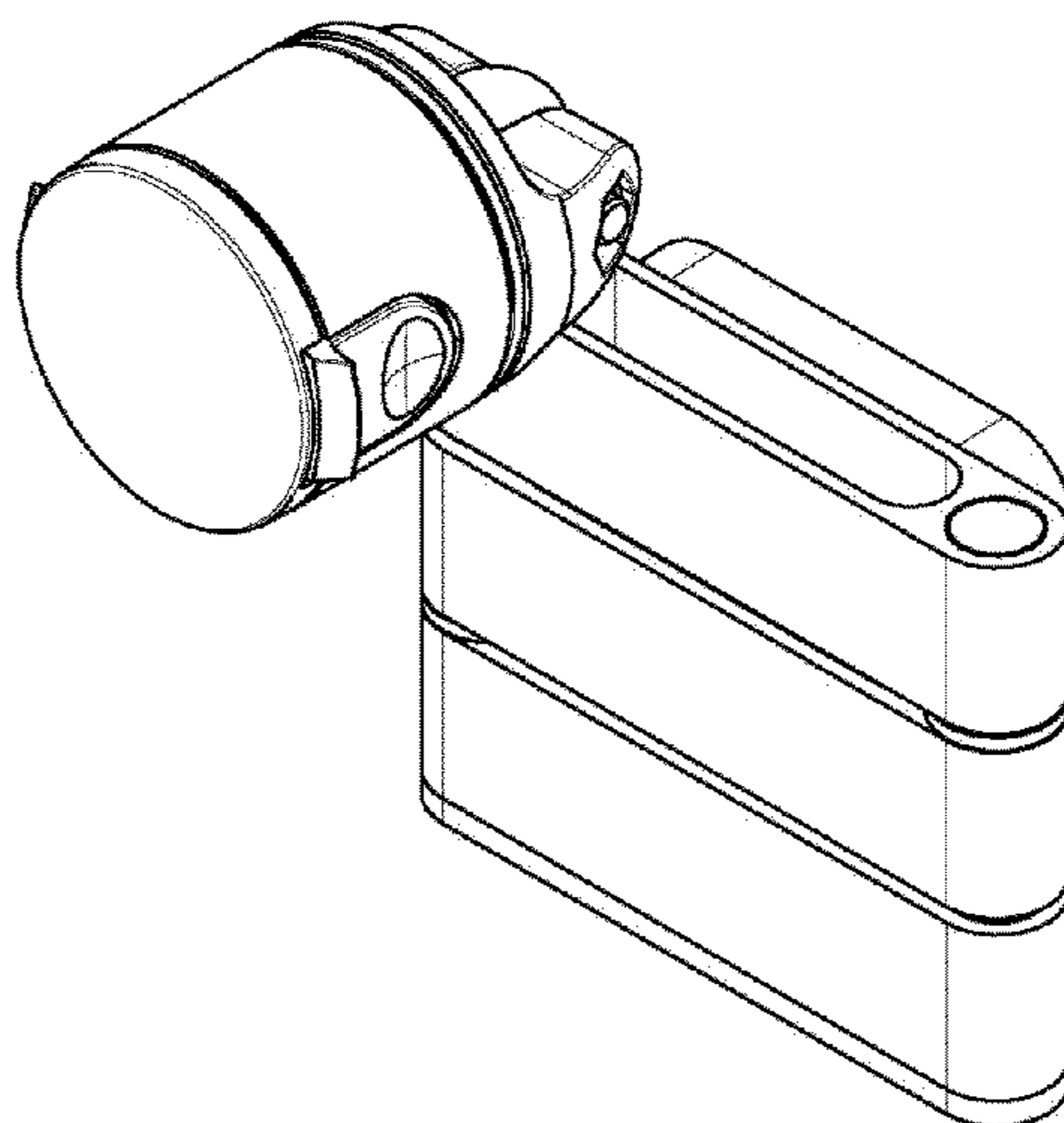
FIG. 6 is a top plan view of the folding arm mount shown in FIG. 1;

FIG. 7 is a bottom plan view of the folding arm mount shown in FIG. 1;

FIG. 8 is a right side plan view of the folding arm mount shown in FIG. 1; and,

FIG. 9 is a left side plan view of the folding arm mount shown in FIG. 1.

1 Claim, 9 Drawing Sheets



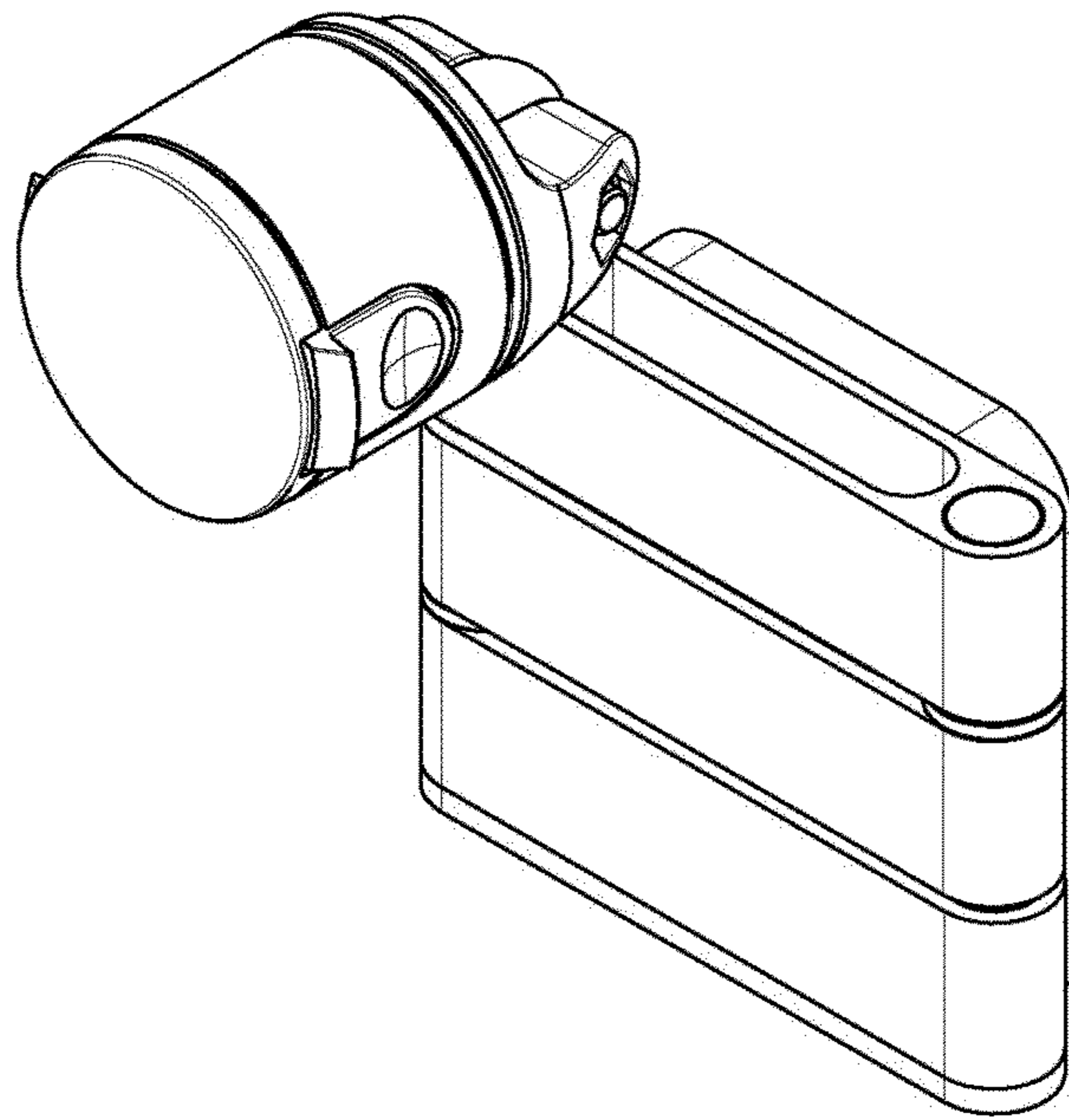


Fig. 1

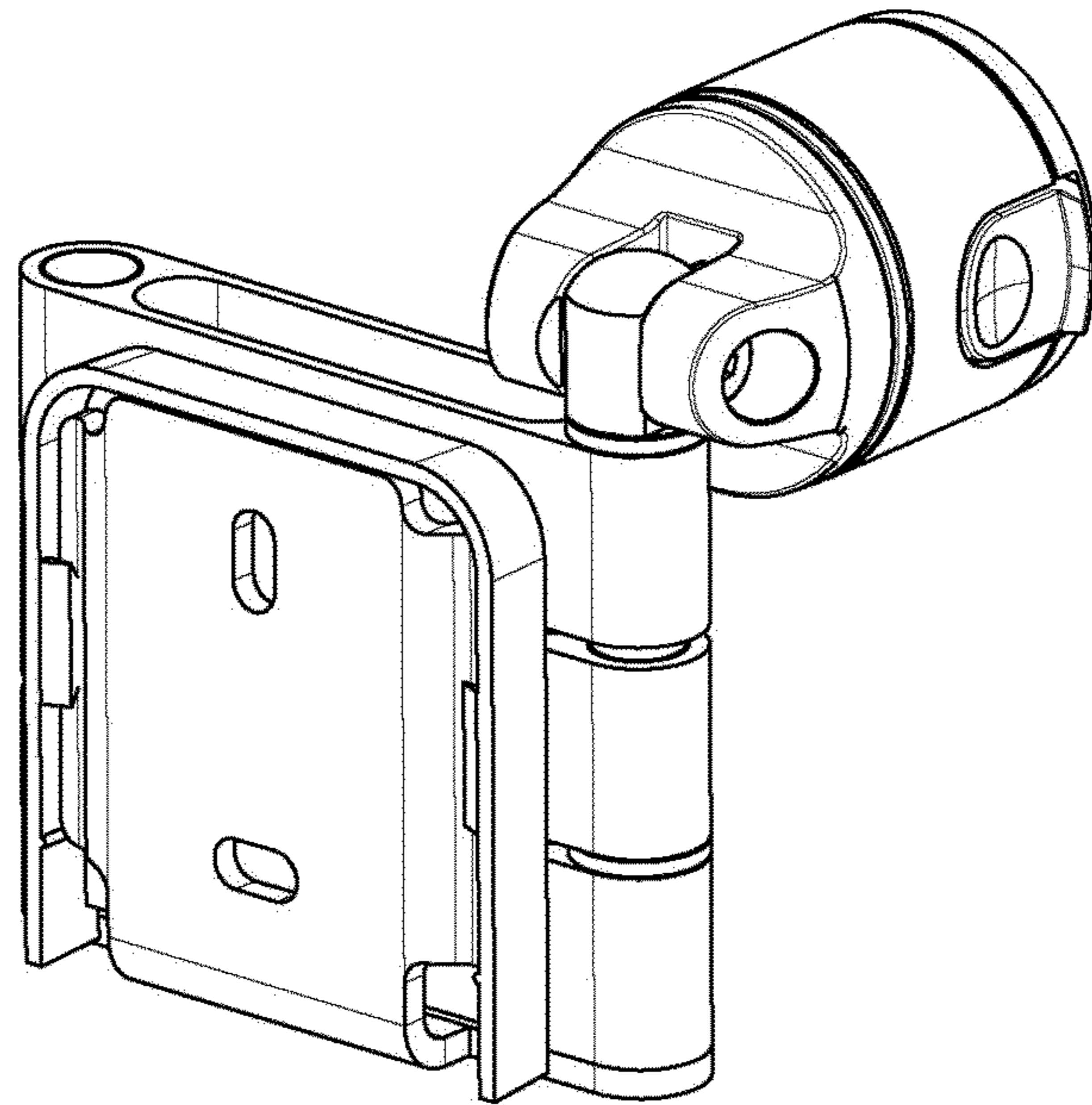


Fig. 2

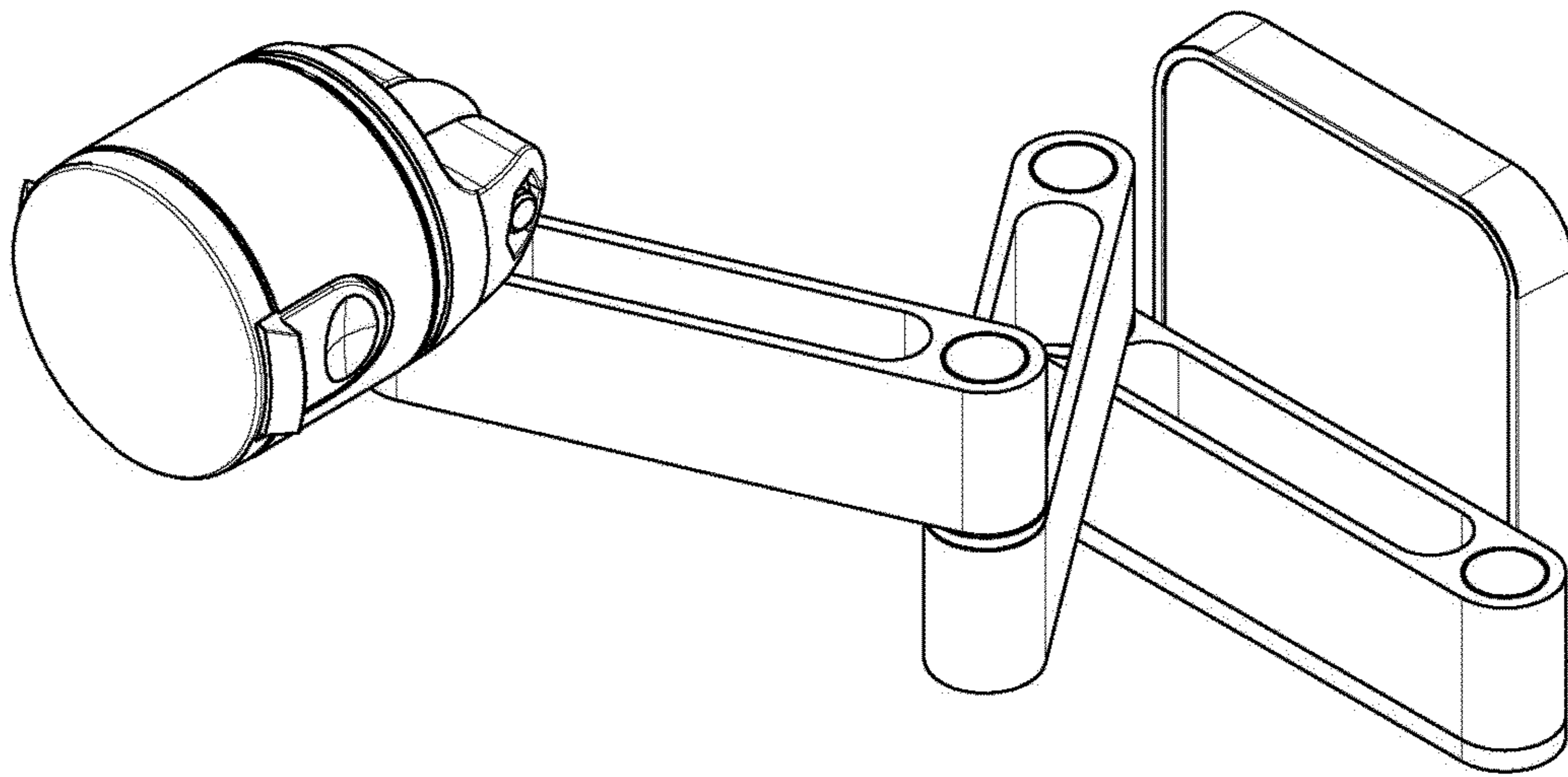


Fig. 3

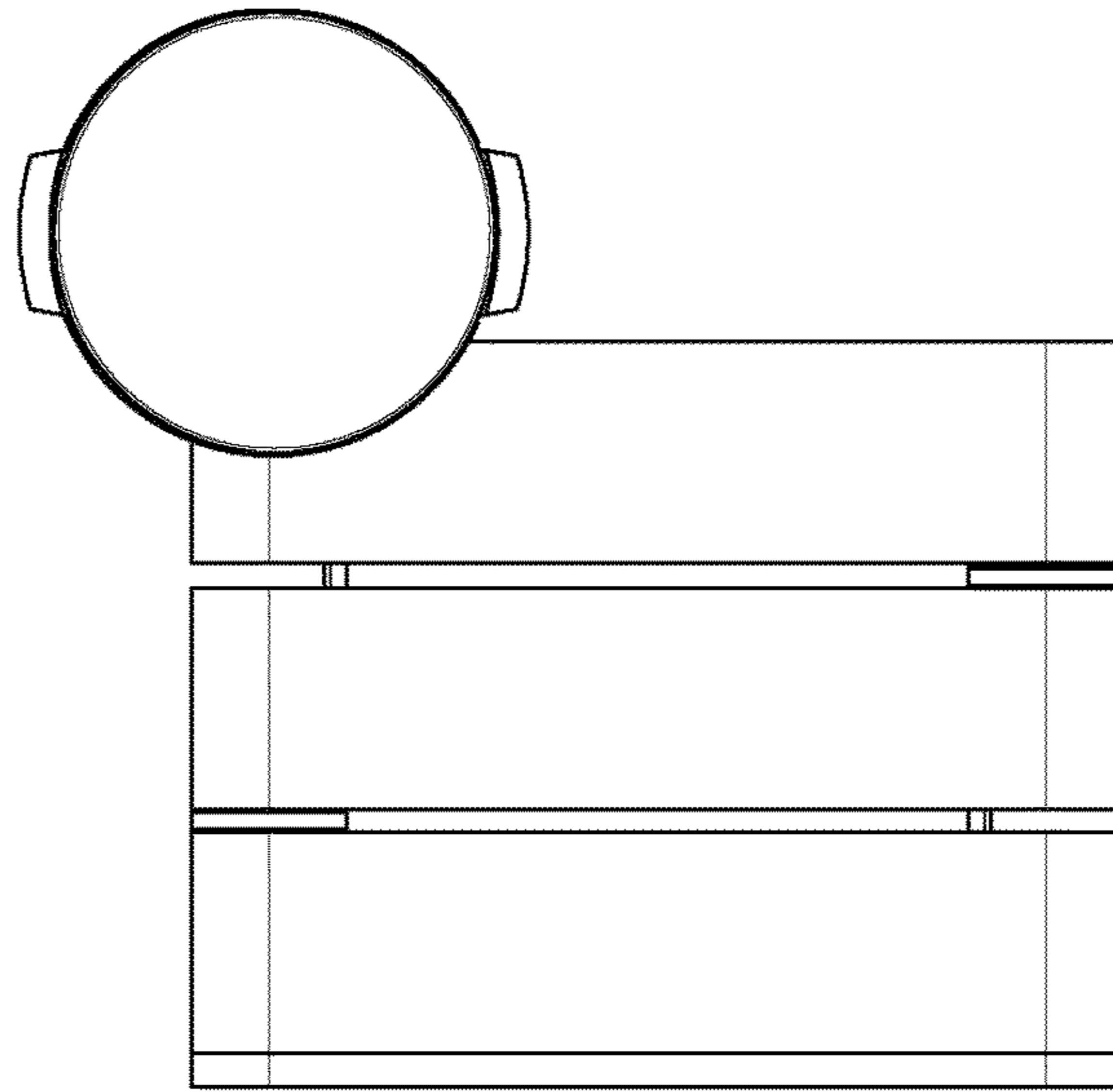


Fig. 4

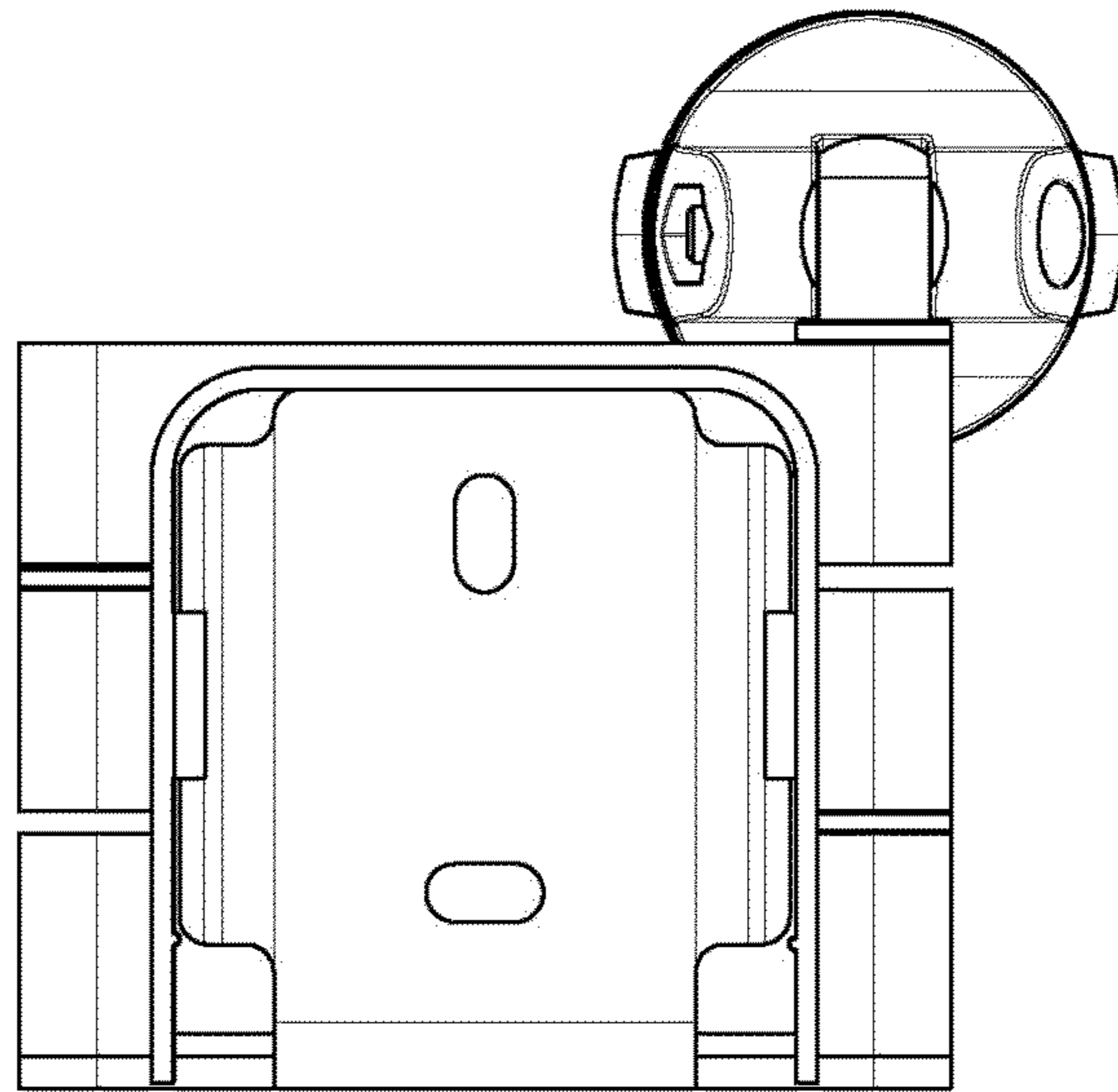


Fig. 5

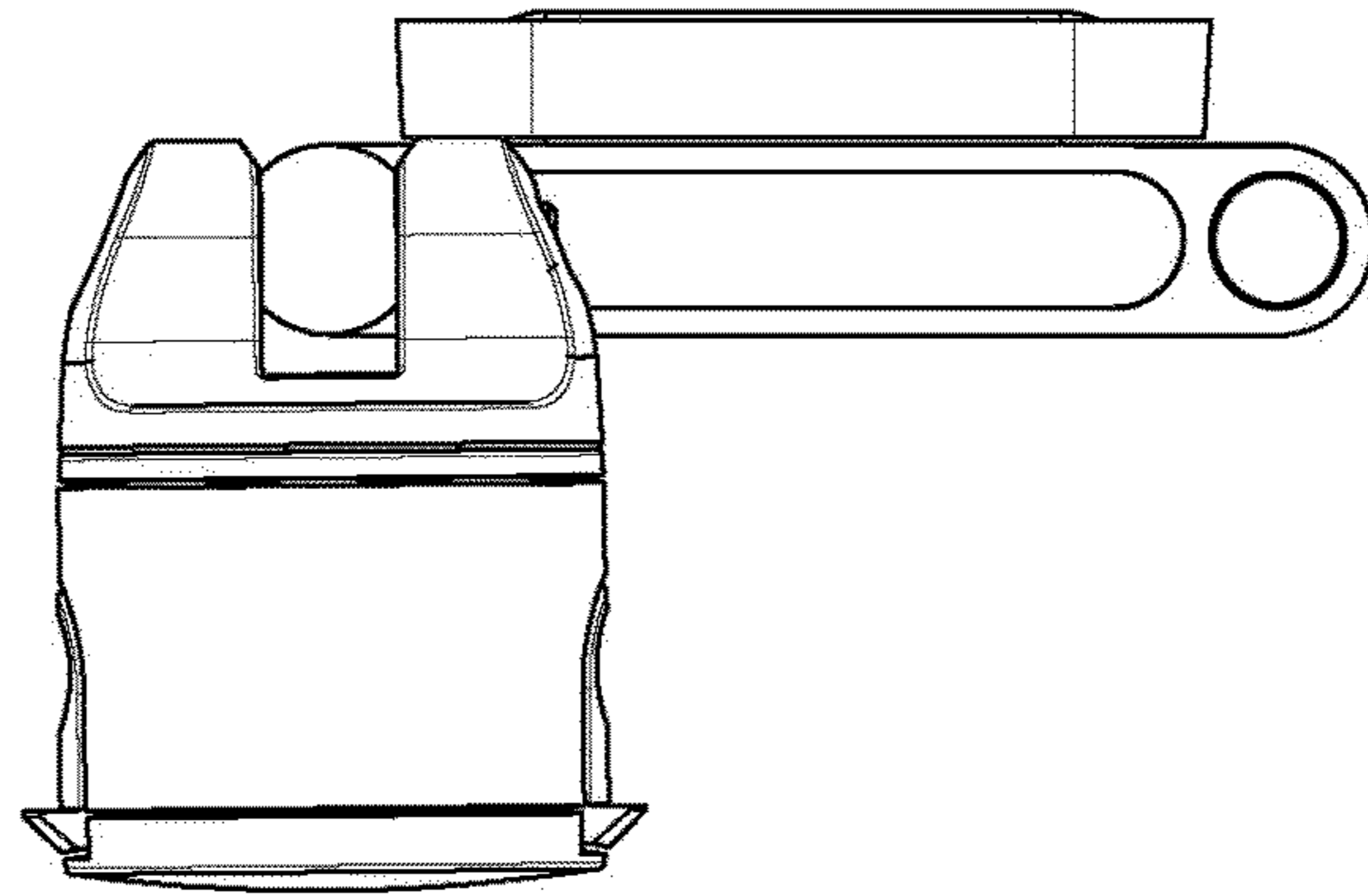


Fig. 6

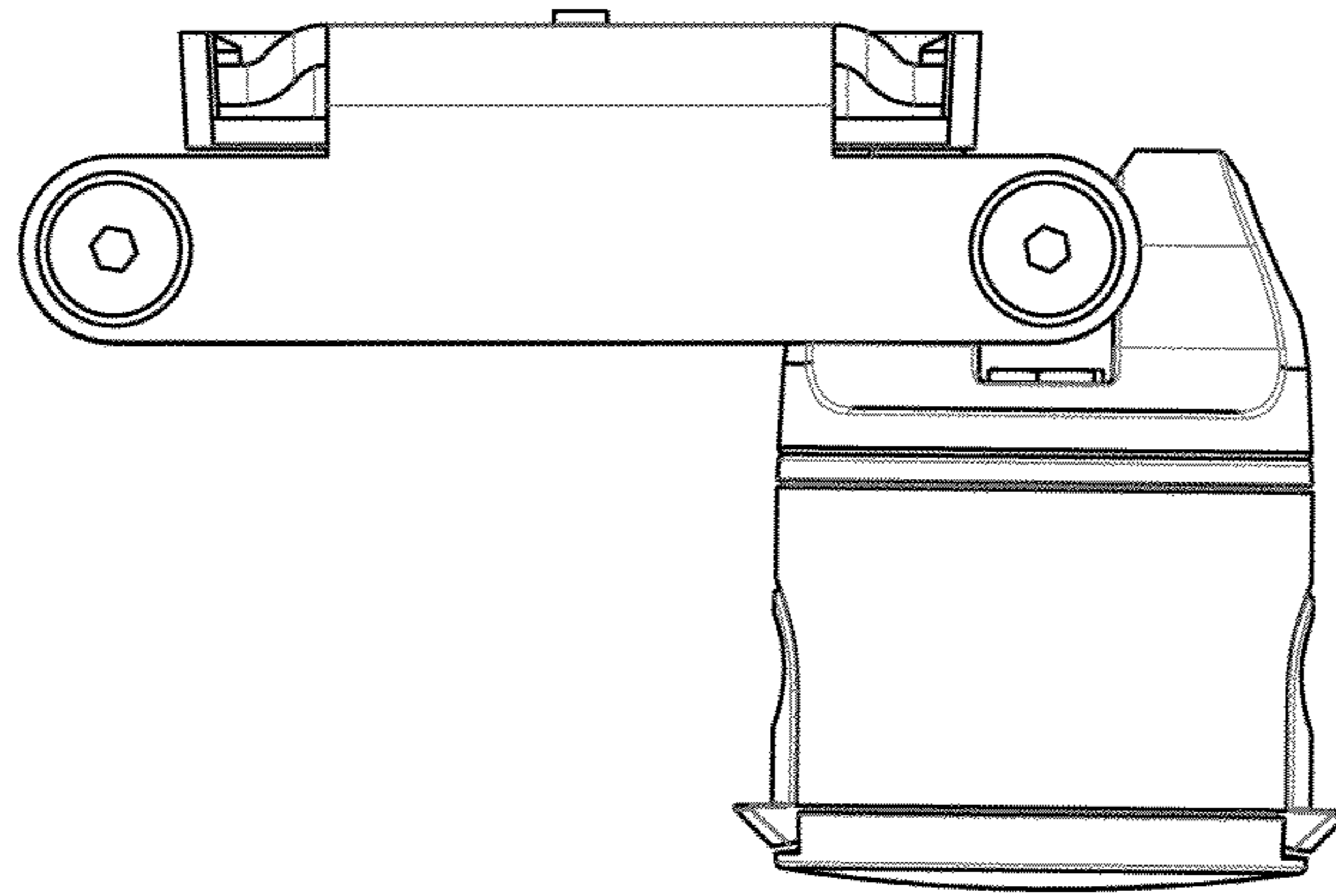


Fig. 7

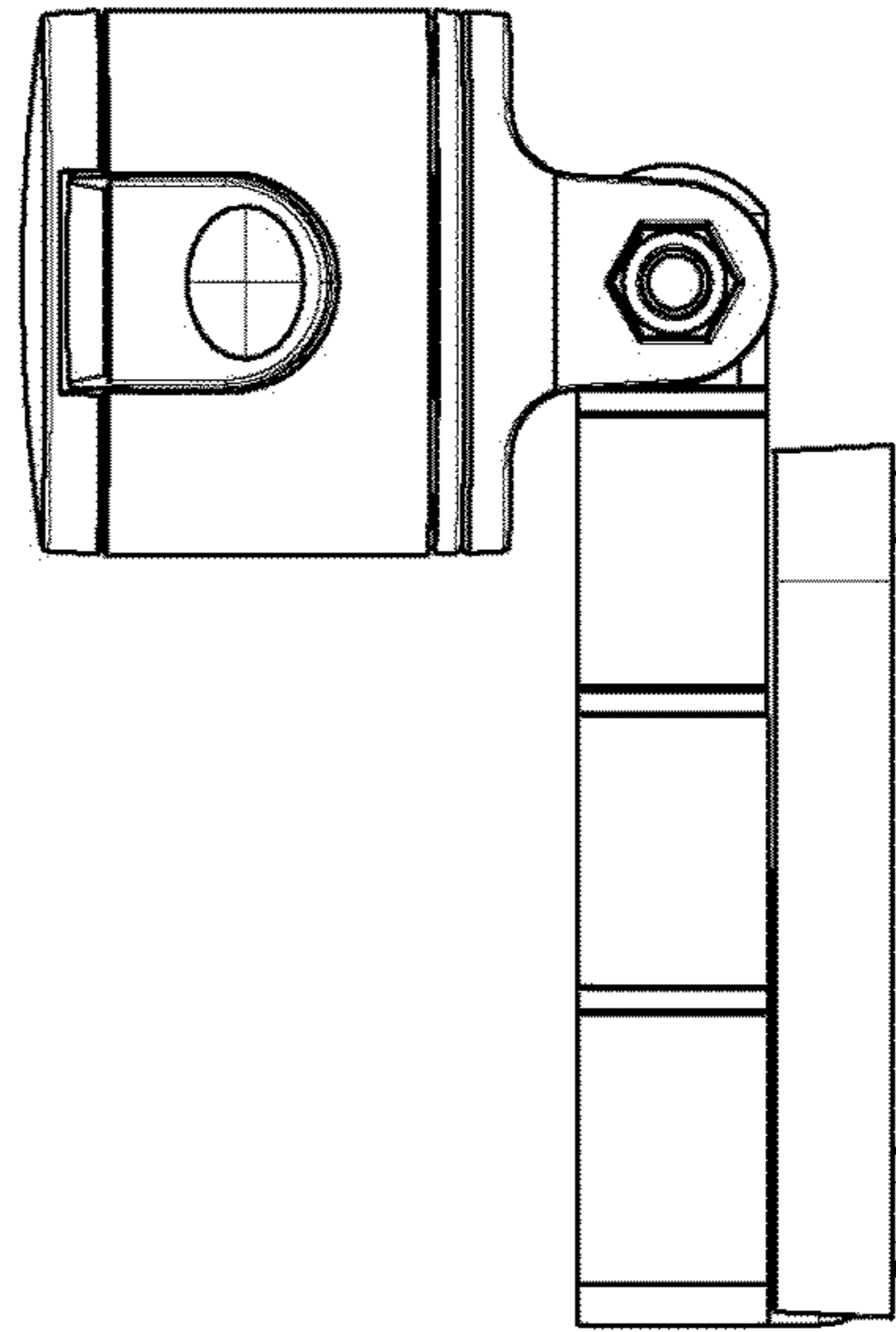


Fig. 8

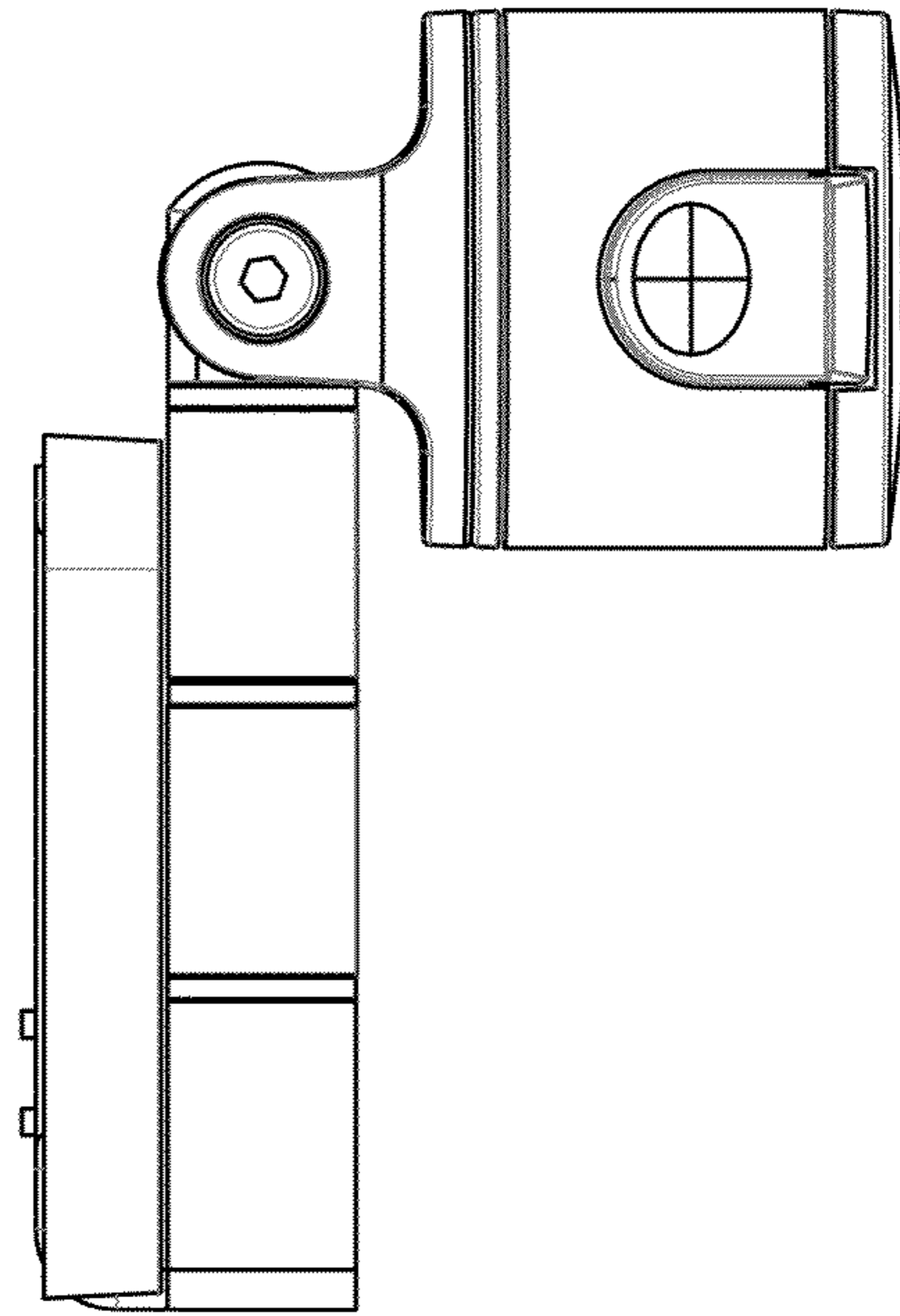


Fig. 9

UNITED STATES PATENT AND TRADEMARK OFFICE
CERTIFICATE OF CORRECTION

PATENT NO. : D701,446 S
APPLICATION NO. : 29/405003
DATED : March 25, 2014
INVENTOR(S) : Stefan Luijben and Sjors Eerens

Page 1 of 1

It is certified that error appears in the above-identified patent and that said Letters Patent is hereby corrected as shown below:

On the Title Page, item (75) Inventors: should read as follows:

Stefan Luijben, Helmond (NL); Sjors Eerens, Eindhoven (NL)

Signed and Sealed this
Ninth Day of September, 2014



Michelle K. Lee
Deputy Director of the United States Patent and Trademark Office