



US00D701445S

(12) **United States Design Patent**
Terpsma

(10) **Patent No.:** **US D701,445 S**
(45) **Date of Patent:** **** Mar. 25, 2014**

- (54) **PINTLE HOOK LATCH ASSEMBLY**
- (71) Applicant: **SAF-HOLLAND, Inc.**, Holland, MI (US)
- (72) Inventor: **Eric M. Terpsma**, Holland, MI (US)
- (73) Assignee: **SAF-HOLLAND, Inc.**, Holland, MI (US)

4,365,384 A *	12/1982	Vitt	16/333
4,721,324 A *	1/1988	Blacklaw	280/504
5,033,764 A *	7/1991	Blacklaw	280/508
5,332,251 A *	7/1994	Farquhar	280/507
5,725,229 A *	3/1998	McWethy	280/416.1
D402,602 S *	12/1998	Niswanger	D12/162
6,139,043 A *	10/2000	Gries et al.	280/504
D469,336 S *	1/2003	Votruba et al.	D8/343
D503,328 S *	3/2005	Catlett	D8/342
D506,121 S *	6/2005	Falconer et al.	D8/331
D615,844 S *	5/2010	Wiora	D8/343

(**) Term: **14 Years**

* cited by examiner

(21) Appl. No.: **29/440,016**

Primary Examiner — Prabhakar Deshmukh

(22) Filed: **Dec. 18, 2012**

(74) *Attorney, Agent, or Firm* — Price Heneveld LLP

(51) **LOC (10) Cl.** **08-07**

(52) **U.S. Cl.**

USPC **D8/331; D8/343**

(58) **Field of Classification Search**

USPC D8/330, 331, 343, 344, 339, 340, 333;
 70/14, 51, 52, 124–126, 132, 141, 142,
 70/163, 164, 192–197, 201, 202, 229–232,
 70/266, 431, DIG. 80; 292/1, 56, 246–250,
 292/95, 109, 169, 159, 138, 139, 240, 289,
 292/290, 300, 304; 280/491.5, 504, 416.1

See application file for complete search history.

(56) **References Cited**

U.S. PATENT DOCUMENTS

D170,038 S *	7/1953	Wise	D8/331
4,322,100 A *	3/1982	McLennan et al.	292/67

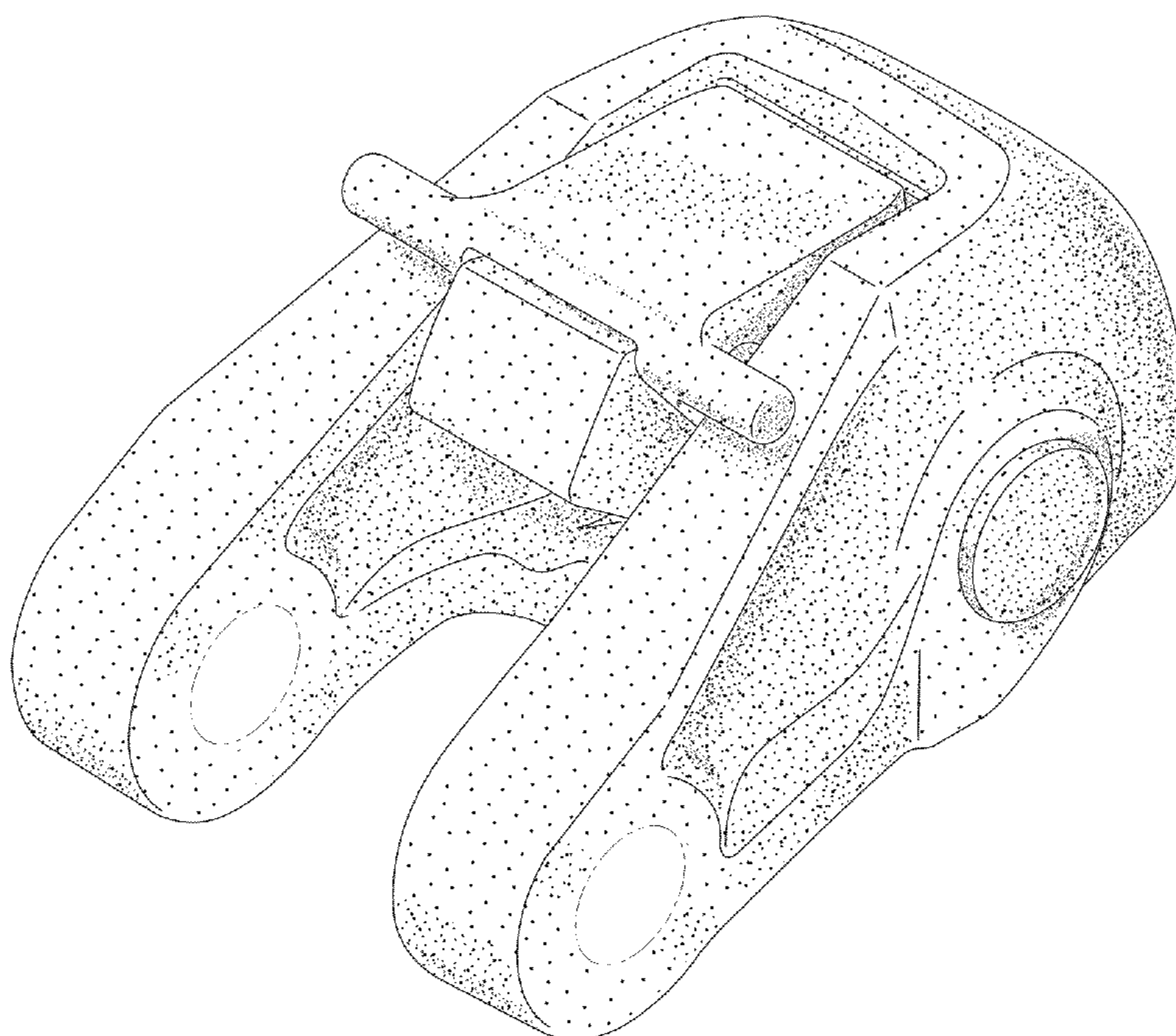
(57) **CLAIM**

I claim the ornamental design of the pintle hook latch assembly, as described and shown.

DESCRIPTION

FIG. 1 is a perspective view of a pintle hook latch assembly showing my new design;
 FIG. 2 is a right side elevational view thereof, the left side elevational view being a mirror image thereof;
 FIG. 3 is a rear elevational view thereof;
 FIG. 4 is a front elevational view thereof;
 FIG. 5 is a top plan view thereof; and,
 FIG. 6 is a bottom plan view thereof.
 The dashed lines are shown for illustrative purpose only and form no part of the claimed design.

1 Claim, 3 Drawing Sheets



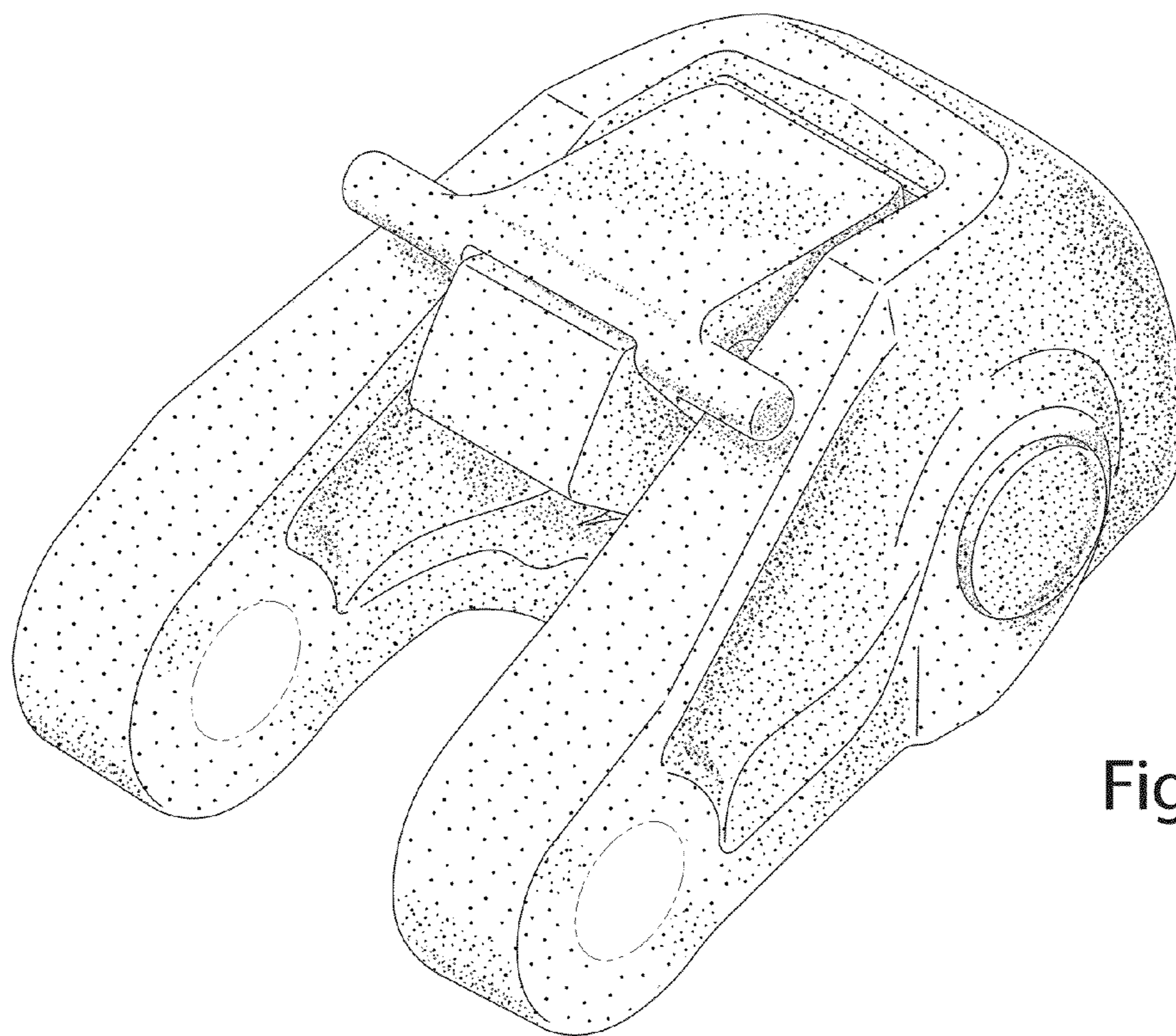


Fig. 1

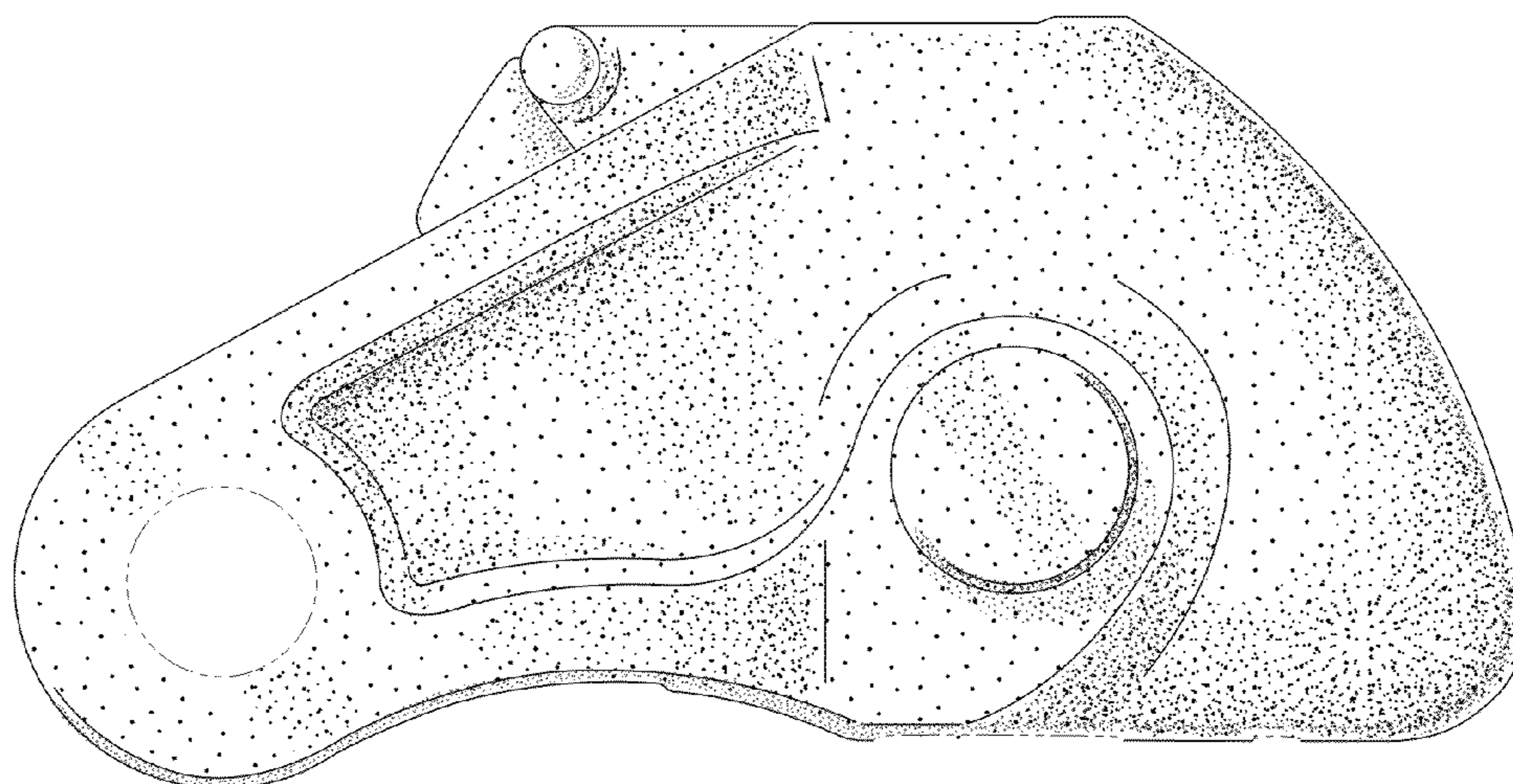


Fig. 2

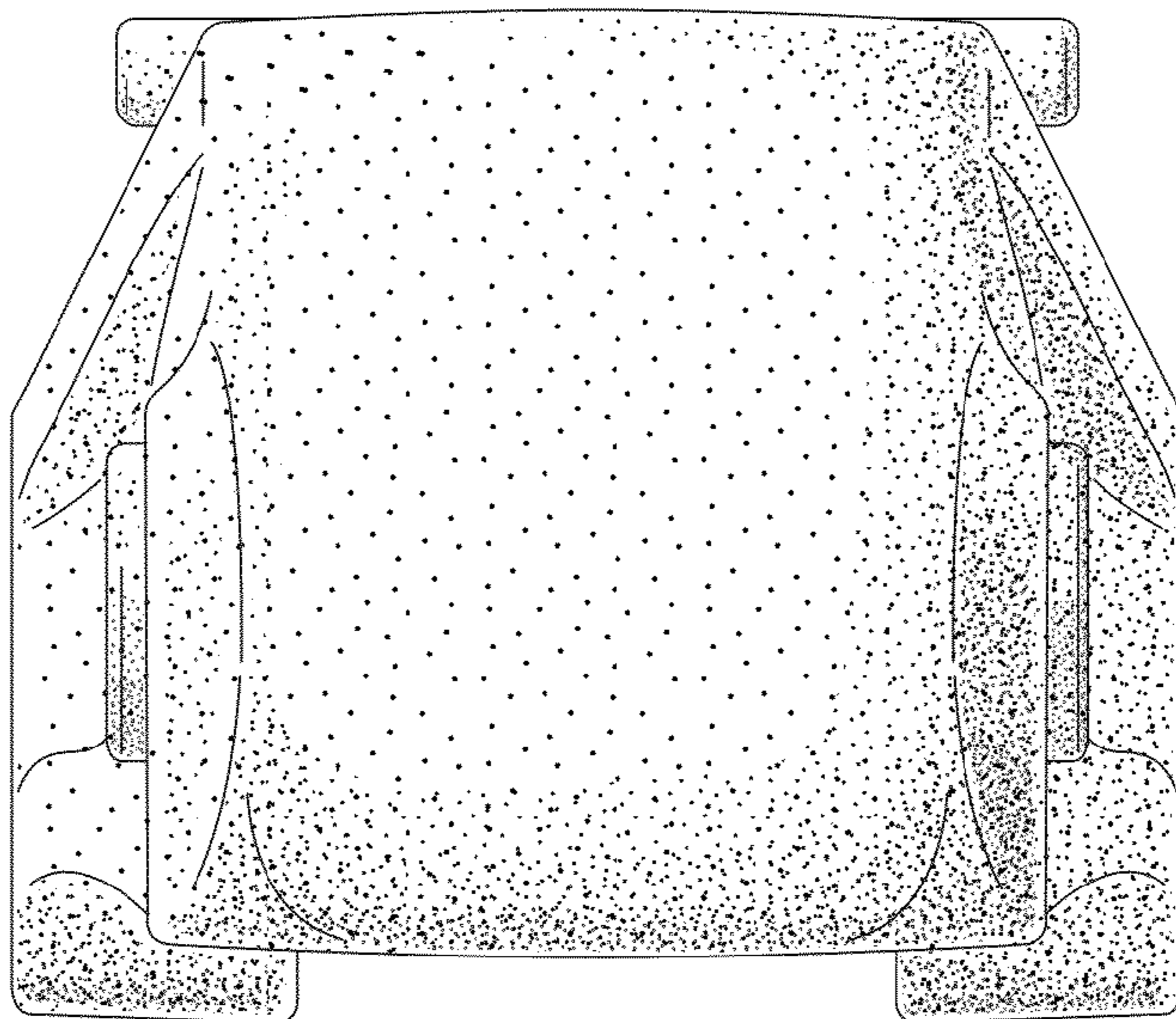


Fig. 3

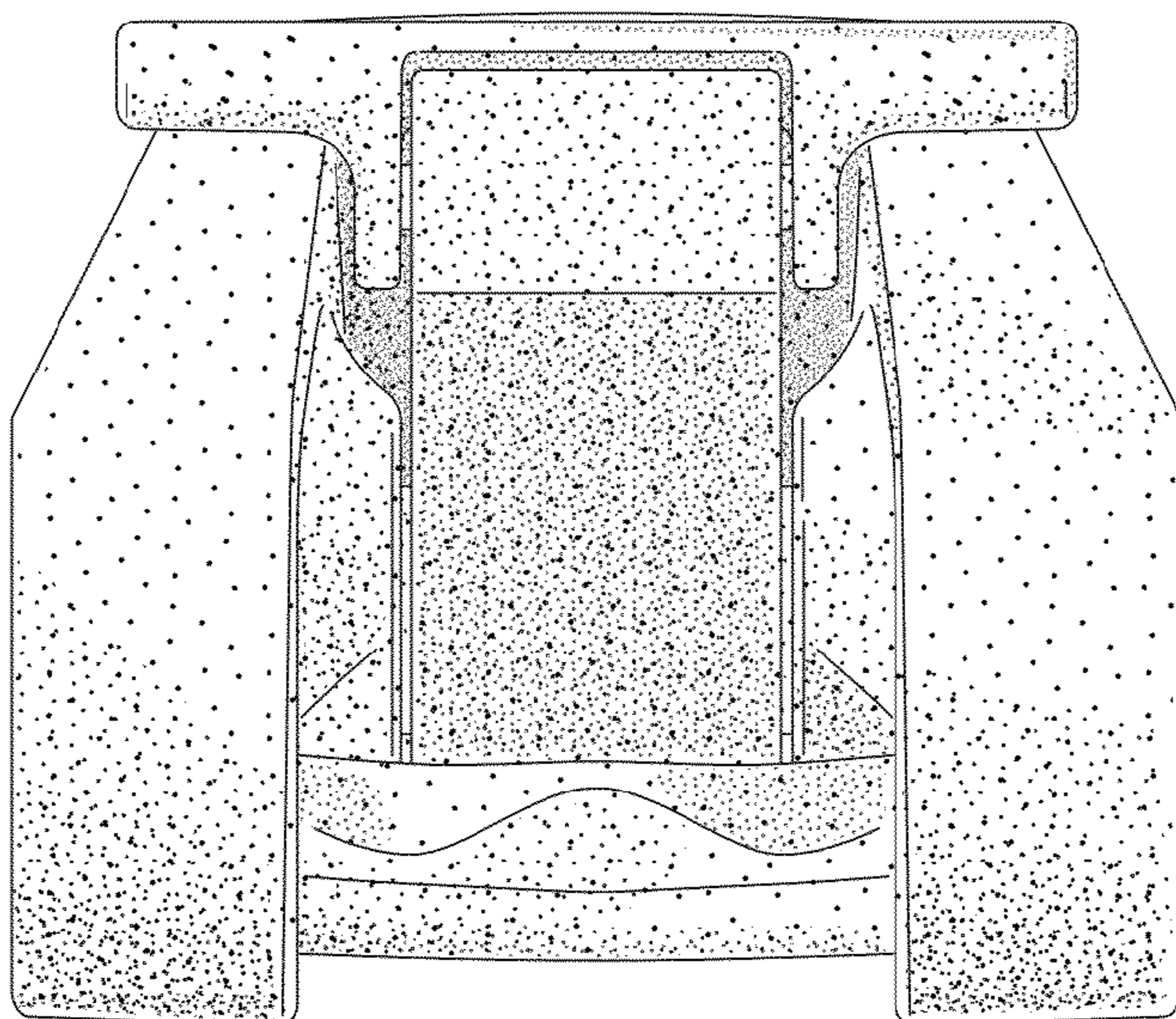


Fig. 4

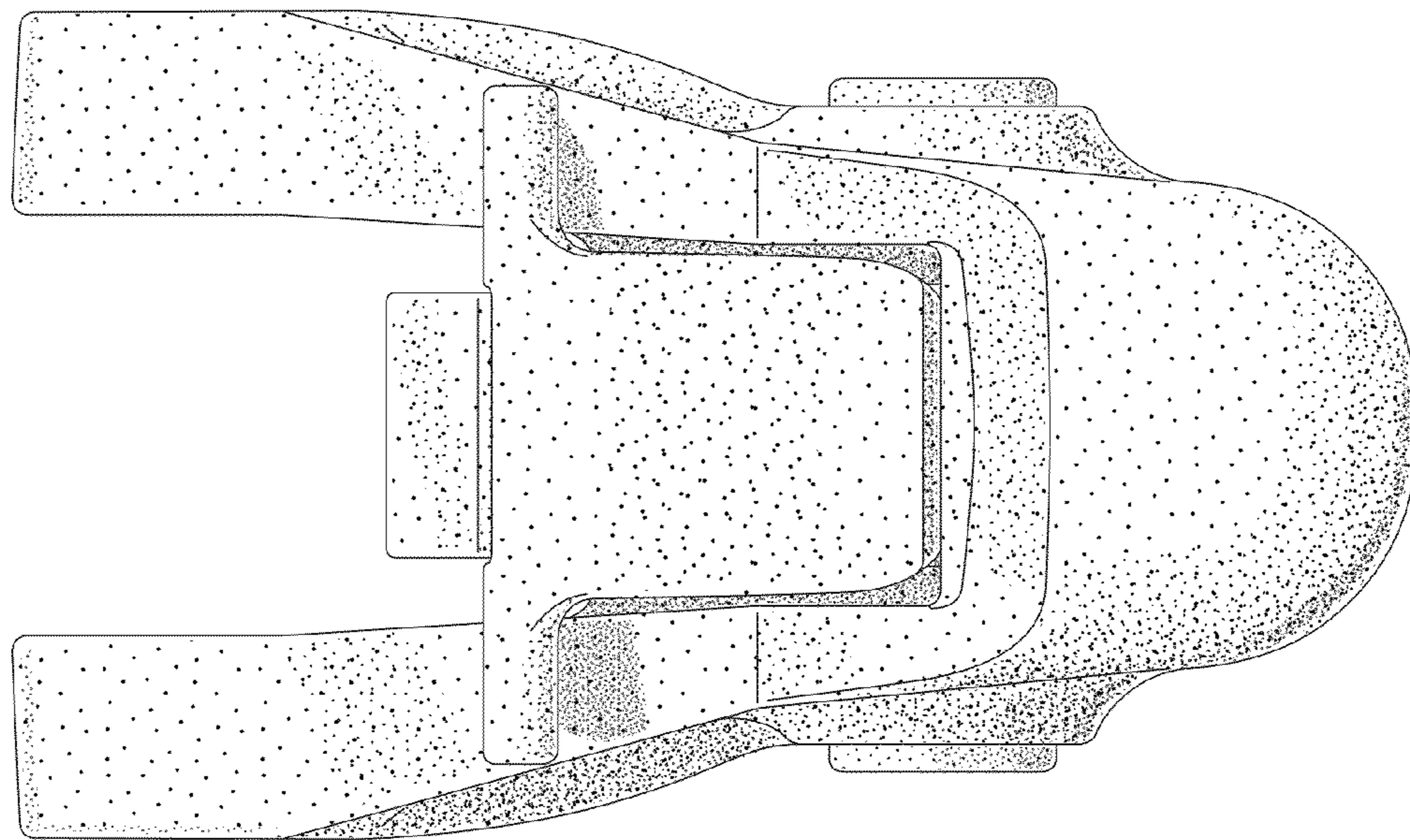


Fig. 5

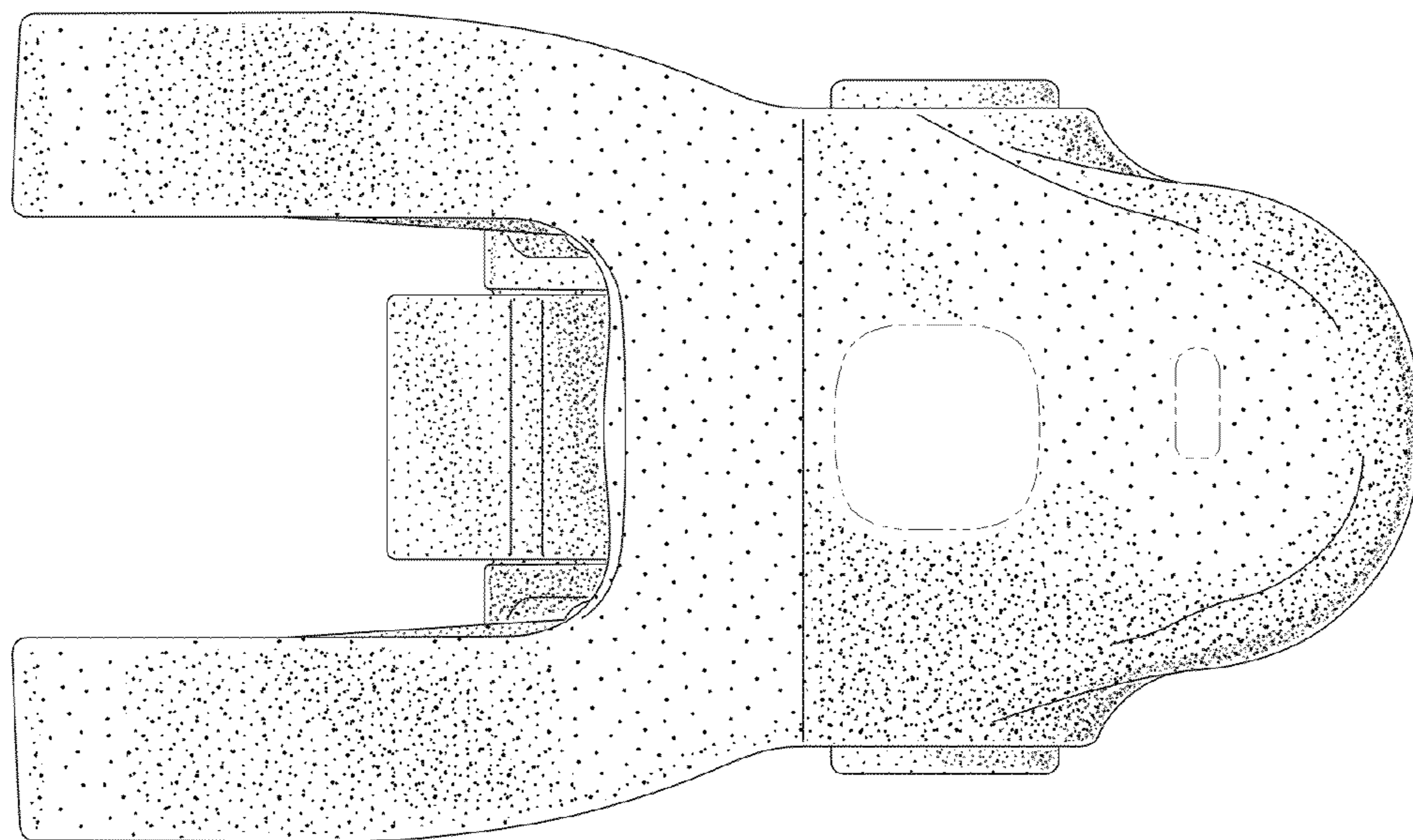


Fig. 6