



US00D701440S

(12) **United States Design Patent**  
**Naksen**

(10) **Patent No.:** **US D701,440 S**  
(45) **Date of Patent:** **\*\* Mar. 25, 2014**

(54) **RATCHET TOOL**  
(71) Applicant: **Ingersoll-Rand Company**, Davidson,  
NC (US)  
(72) Inventor: **Dennis Naksen**, Chatham, NJ (US)  
(73) Assignee: **Ingersoll-Rand Company**, Davidson,  
NC (US)

D580,248 S \* 11/2008 Rane et al. .... D8/61  
D588,891 S \* 3/2009 Hayakawa et al. .... D8/61  
D592,479 S 5/2009 Price et al.  
D617,620 S 6/2010 Yaschur et al.  
7,886,840 B2 \* 2/2011 Young et al. .... 173/168  
8,051,746 B2 \* 11/2011 Bouchard et al. .... 81/57.39  
D653,922 S \* 2/2012 Henssler et al. .... D8/61  
D674,676 S \* 1/2013 Wang ..... D8/61  
8,347,979 B2 \* 1/2013 Young et al. .... 173/168  
D677,136 S 3/2013 Davis

(\*\*) Term: **14 Years**  
(21) Appl. No.: **29/460,806**

(22) Filed: **Jul. 15, 2013**  
(51) **LOC (10) Cl.** ..... **08-01**  
(52) **U.S. Cl.**  
USPC ..... **D8/61**  
(58) **Field of Classification Search**  
USPC ..... D8/61, 62, 67, 69; 81/57, 57.11, 57.14,  
81/57.26, 429, 464, 469; 173/2, 170, 176,  
173/181

See application file for complete search history.

(56) **References Cited**

**U.S. PATENT DOCUMENTS**

D335,808 S 5/1993 Bruno et al.  
D372,850 S 8/1996 Dubuque et al.  
D449,212 S 10/2001 Price et al.  
D468,607 S 1/2003 Price et al.  
6,929,074 B1 \* 8/2005 Lai ..... 173/178  
D527,592 S \* 9/2006 Hayakawa et al. .... D8/61  
D529,353 S \* 10/2006 Wong et al. .... D8/61  
D530,171 S \* 10/2006 Baker ..... D8/61  
D554,460 S 11/2007 Enriquez  
D567,045 S \* 4/2008 Chen ..... D8/61  
D569,206 S \* 5/2008 Takahagi et al. .... D8/61  
D571,177 S 6/2008 Price et al.  
D578,852 S 10/2008 Enriquez

**OTHER PUBLICATIONS**

Ingersoll-Rand Co., "IQV20 Series Cordless Tools," available at  
<http://www.ingersollrandproducts.com/am-en/products/tools/new-tools/IQV20-Cordless-Tools>, 2 pages.

(Continued)

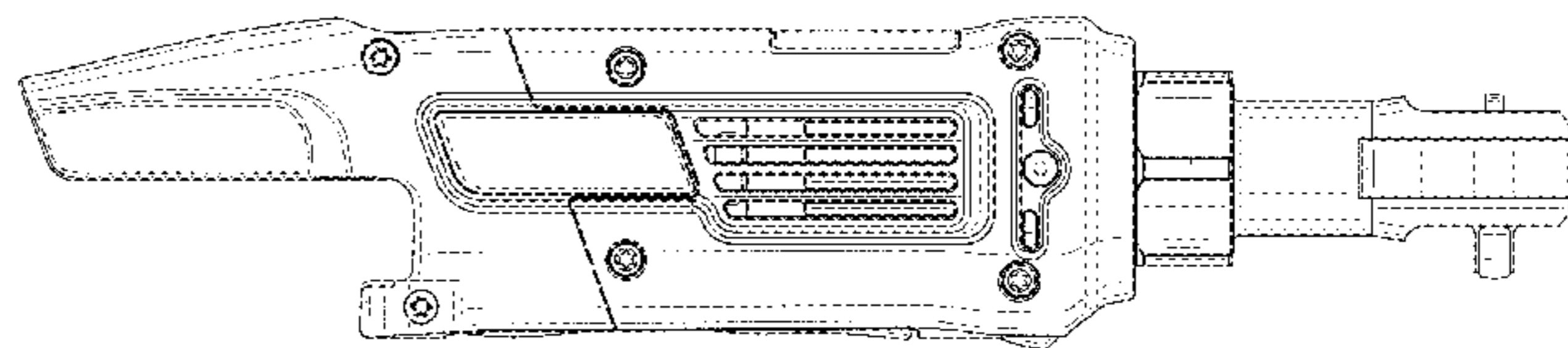
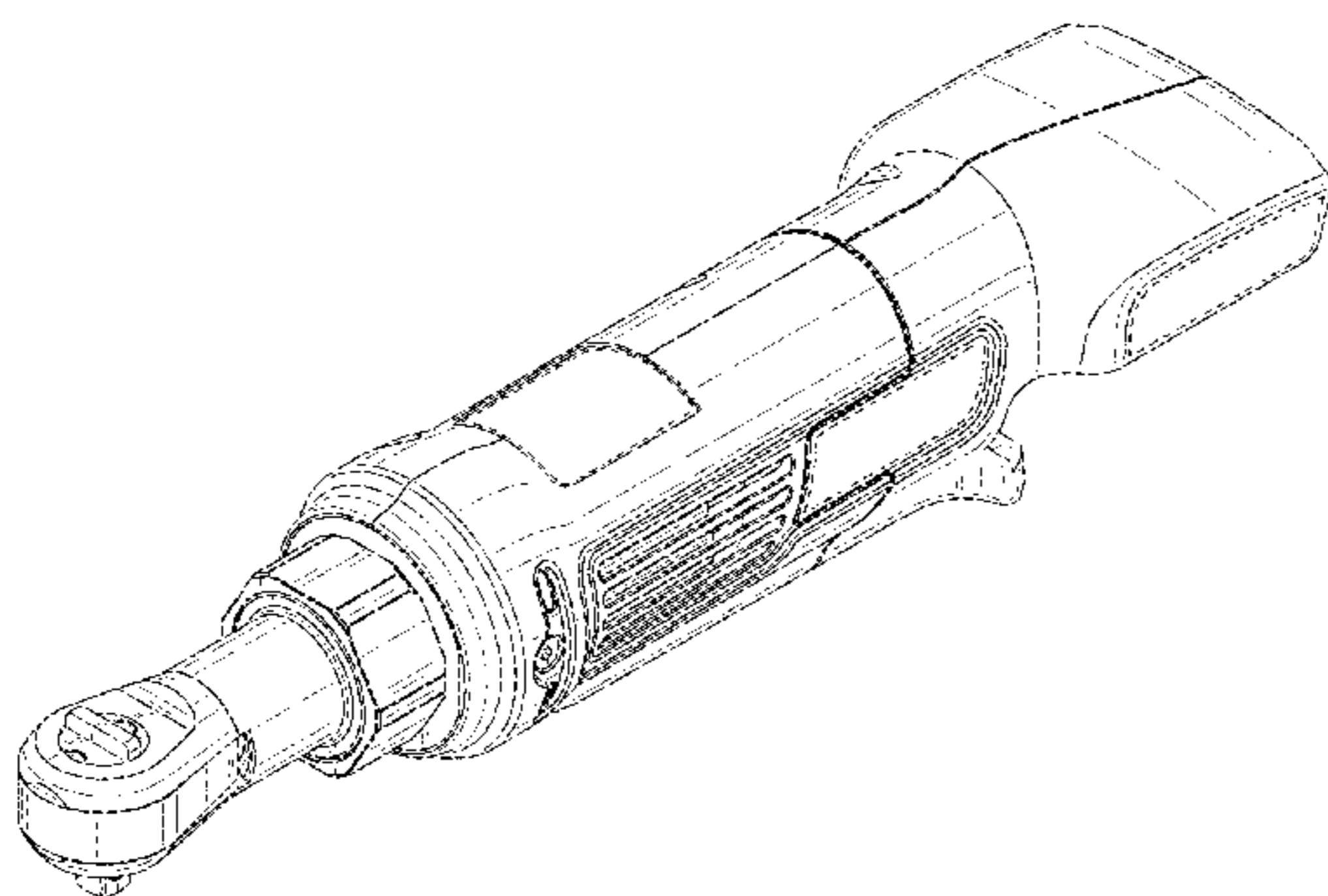
*Primary Examiner* — Austin Murphy  
(74) *Attorney, Agent, or Firm* — Barnes & Thornburg LLP

(57) **CLAIM**  
The ornamental design for a ratchet tool, as shown and described.

**DESCRIPTION**

FIG. 1 is a front perspective view of a design of a ratchet tool; FIG. 2 is a front elevation view of the ratchet tool of FIG. 1; FIG. 3 is a rear elevation view of the ratchet tool of FIG. 1; FIG. 4 is a first side elevation view of the ratchet tool of FIG. 1; FIG. 5 is a second side elevation view of the ratchet tool of FIG. 1; FIG. 6 is a top plan view of the ratchet tool of FIG. 1; and, FIG. 7 is a bottom plan view of the ratchet tool of FIG. 1. The broken lines shown in the figures depict environmental subject matter and form no part of the claimed design.

**1 Claim, 7 Drawing Sheets**



(56)

**References Cited**

OTHER PUBLICATIONS

Ingersoll-Rand Co., "R3130 3/8" 20V Ratchet Wrench," 2013, 6 pages.

Techway Industrial Co., "Power Hand Tools—Cordless Ratchet," available at [www.asianproducts.com/product/5641\\_P11825667273322894/power-hand-tools-cordless.html](http://www.asianproducts.com/product/5641_P11825667273322894/power-hand-tools-cordless.html), 2 pages.

Milwaukee Electric Tool Co., "M12 Cordless 3/8" Lithium-Ion Ratchet Kit," available at <http://www.milwaukeetool.com/power-tools/cordless/2457-21>, 2 pages.

ZNEX, "CI-3120," available at [http://znex.com/index.php?page=shop.product\\_details&flypage=shop.flypage&product\\_id=2&category\\_id=3&option=com\\_virtuemart&Itemid=1](http://znex.com/index.php?page=shop.product_details&flypage=shop.flypage&product_id=2&category_id=3&option=com_virtuemart&Itemid=1), 1 page.

Durofix, Inc., "Li-ion 12V 3/8" Ratchet Wrench," available at [http://www.acdelco-tools.com/download/ARW1201%20flyer\\_2012V\\_LR.pdf](http://www.acdelco-tools.com/download/ARW1201%20flyer_2012V_LR.pdf), 1 page.

\* cited by examiner

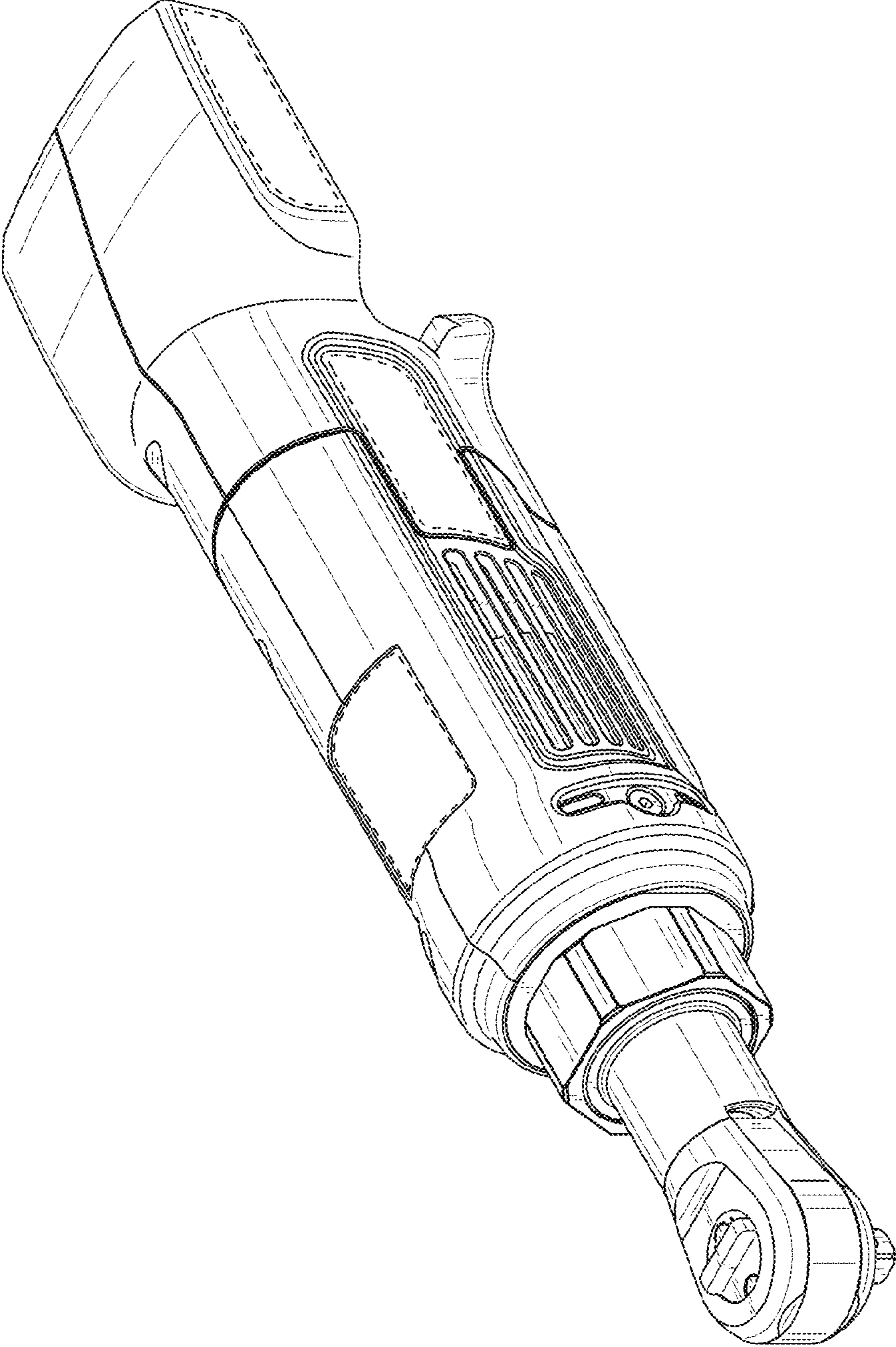


FIG. 1

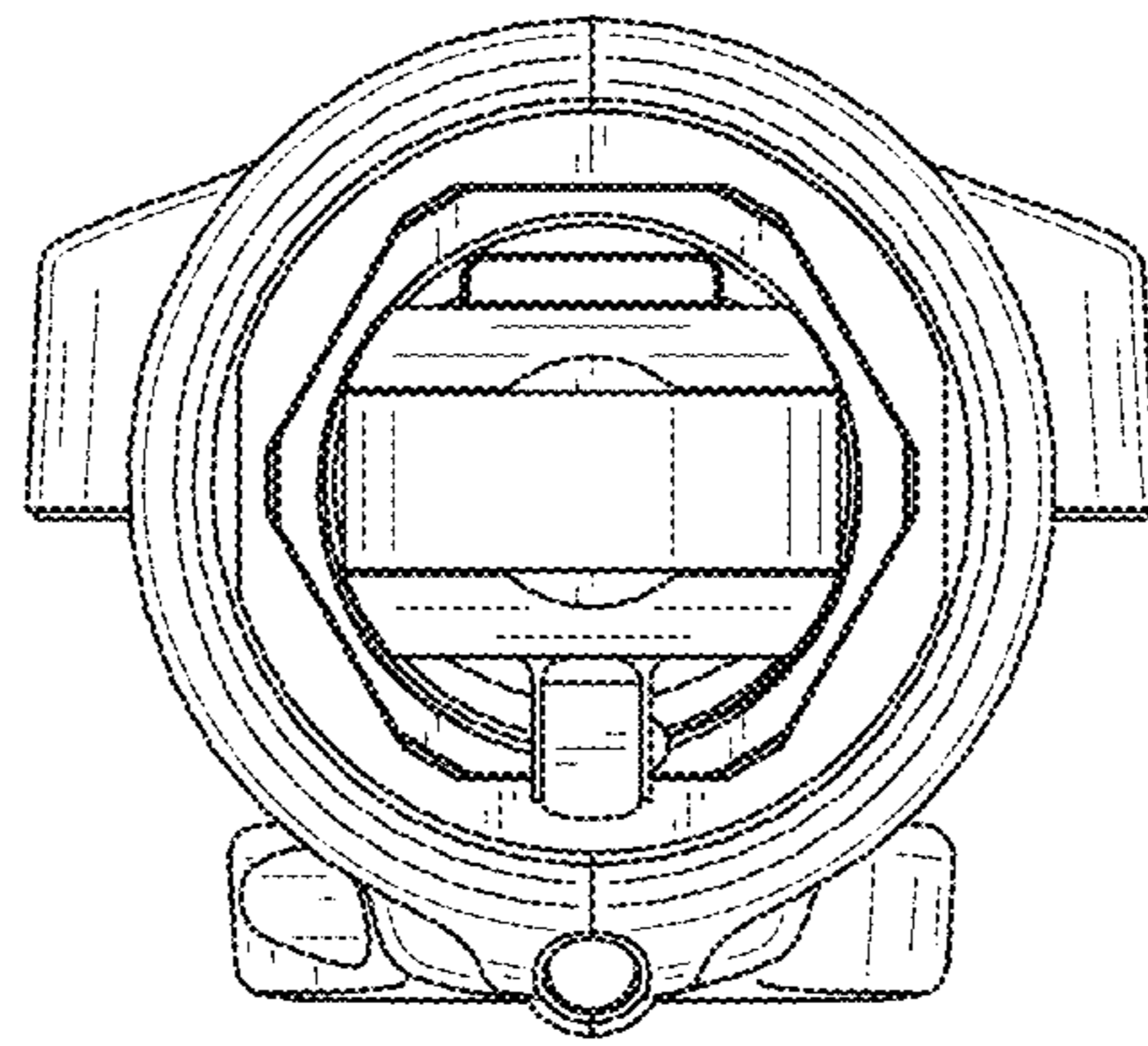


FIG. 2

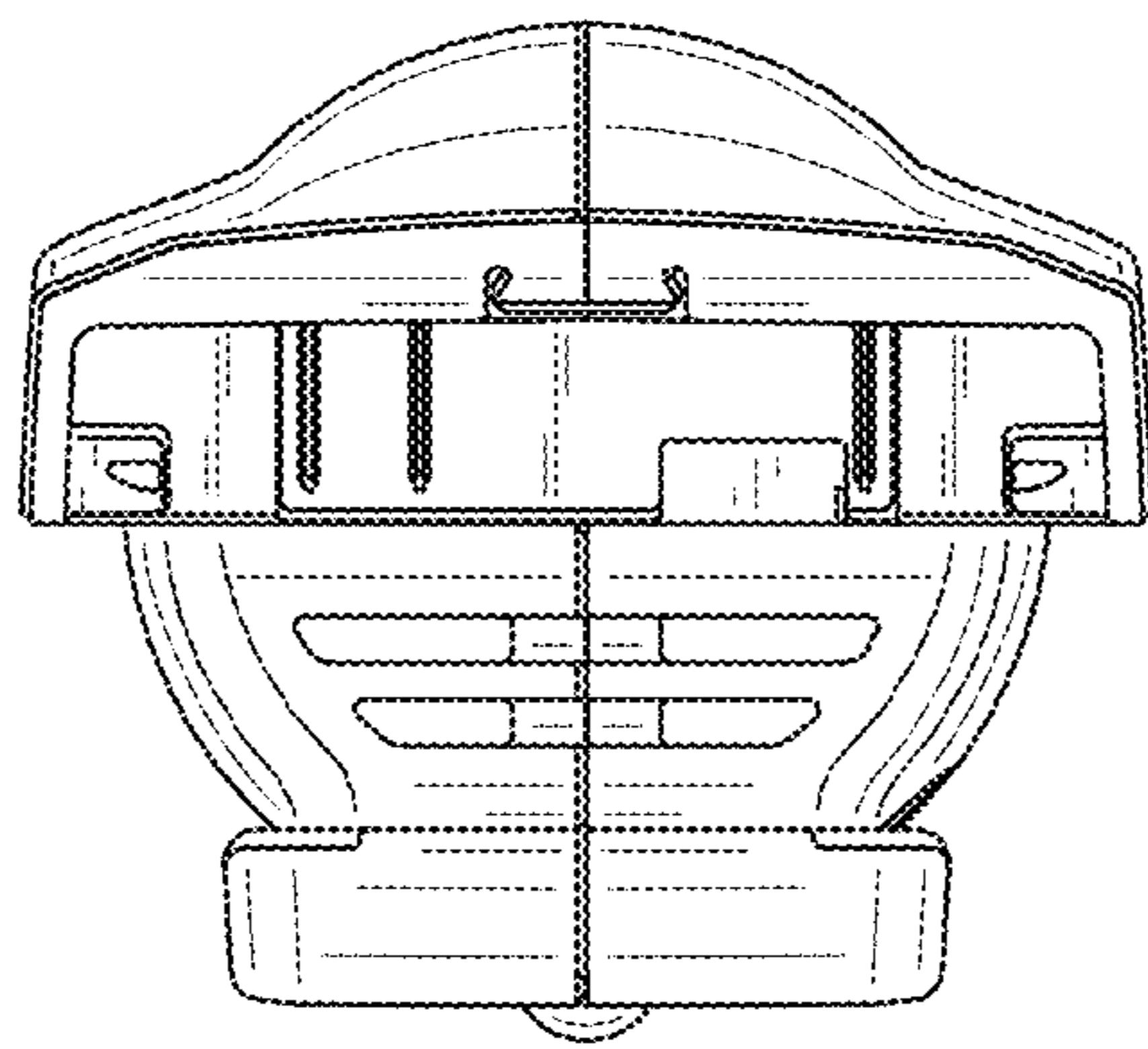


FIG. 3

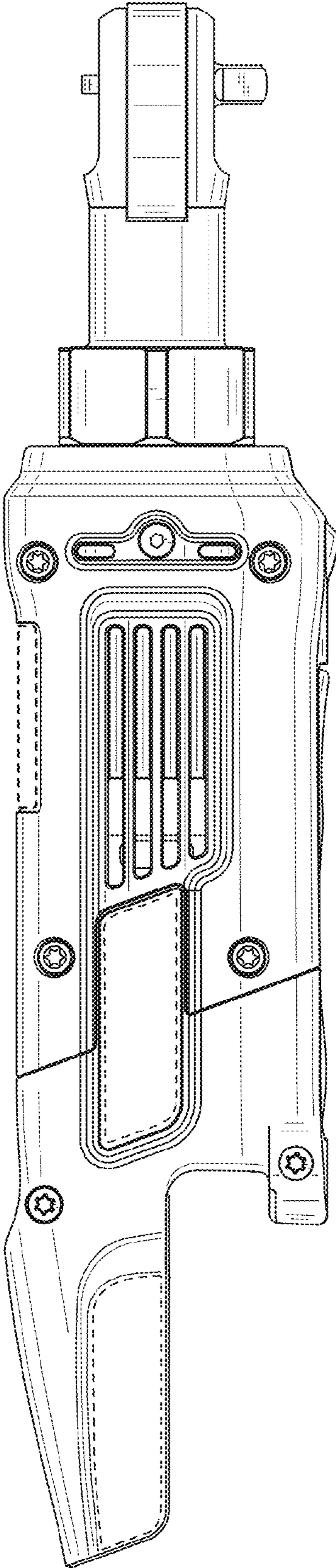


FIG. 4

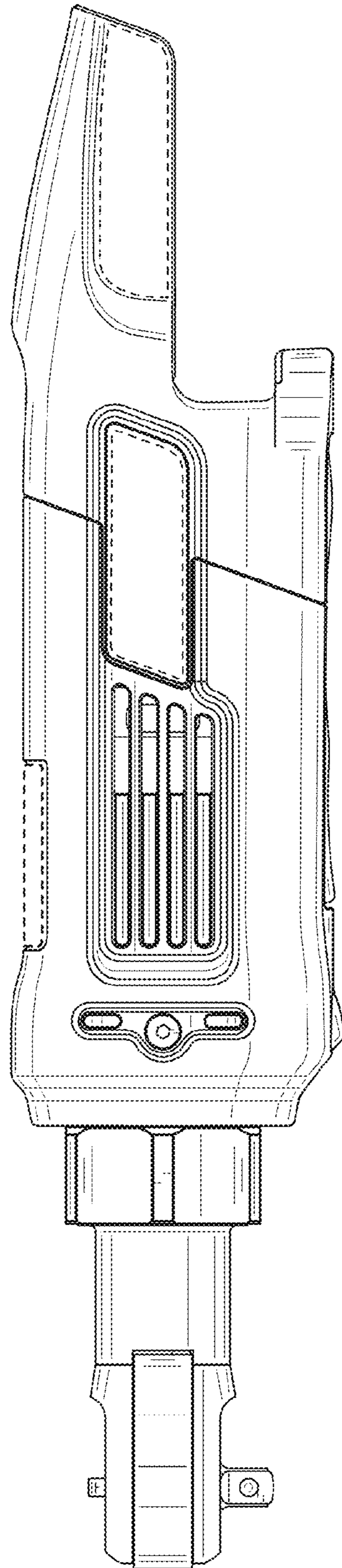


FIG. 5

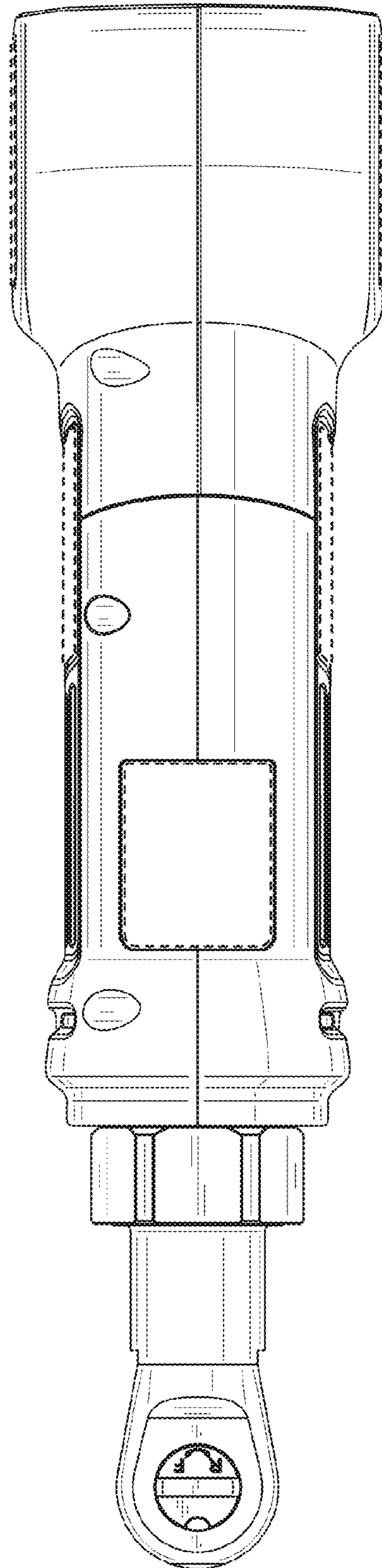


FIG. 6



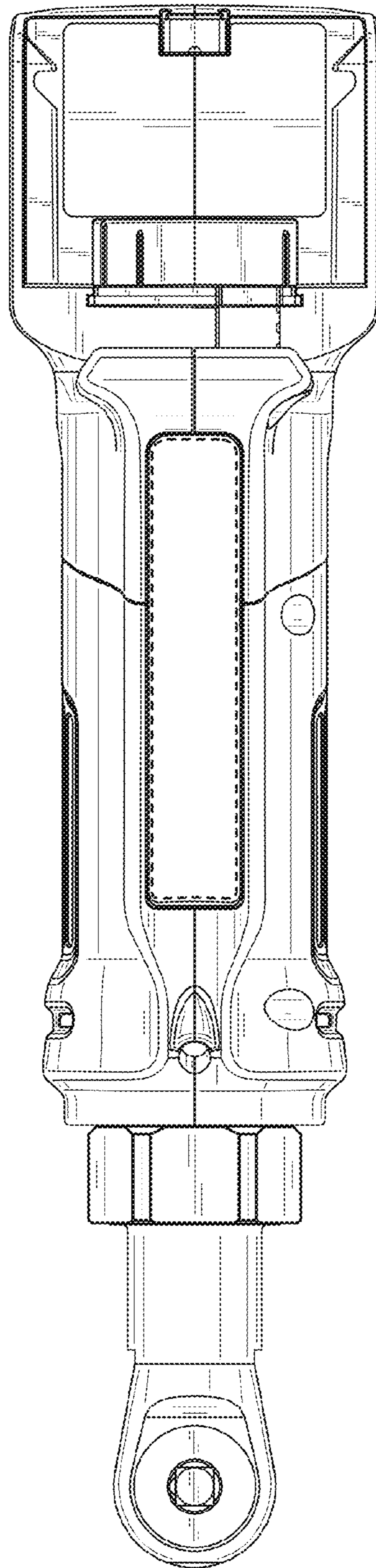


FIG. 7