



US00D701439S

(12) **United States Design Patent**
Macor

(10) **Patent No.:** **US D701,439 S**
(45) **Date of Patent:** **** Mar. 25, 2014**

- (54) **WRENCH HANDLE SECTION**
- (71) Applicant: **Richard J. Macor**, Hunterdon County, NJ (US)
- (72) Inventor: **Richard J. Macor**, Hunterdon County, NJ (US)
- (73) Assignee: **Proprietary Technologies, Inc.**, Hunterdon County, NJ (US)
- (**) Term: **14 Years**
- (21) Appl. No.: **29/421,886**
- (22) Filed: **Oct. 12, 2012**
- (51) **LOC (10) Cl.** **08-05**
- (52) **U.S. Cl.**
USPC **D8/21; D8/107**
- (58) **Field of Classification Search**
USPC D8/21-29, 107, 303, 17, 82-87;
81/125.1, 124.1, 124.4, 177.1-177.7,
81/489, 436-440, 60; 16/110.1, 421, 422,
16/430, 431; D7/395, 649, 402.1, 393,
D7/645, 401.2; D4/135, 138
See application file for complete search history.

- D520,824 S * 5/2006 Hsien D8/28
- 7,047,845 B2 * 5/2006 Macor 81/177.1
- D562,655 S * 2/2008 Chen D8/28
- D595,551 S * 7/2009 Yang D8/27
- D604,130 S * 11/2009 Macor D8/22
- D632,147 S * 2/2011 Yang D8/28
- D681,409 S * 5/2013 Macor D8/22

* cited by examiner

Primary Examiner — Randall Gholson

(57) **CLAIM**
The ornamental design for a wrench handle section, as shown and described.

DESCRIPTION

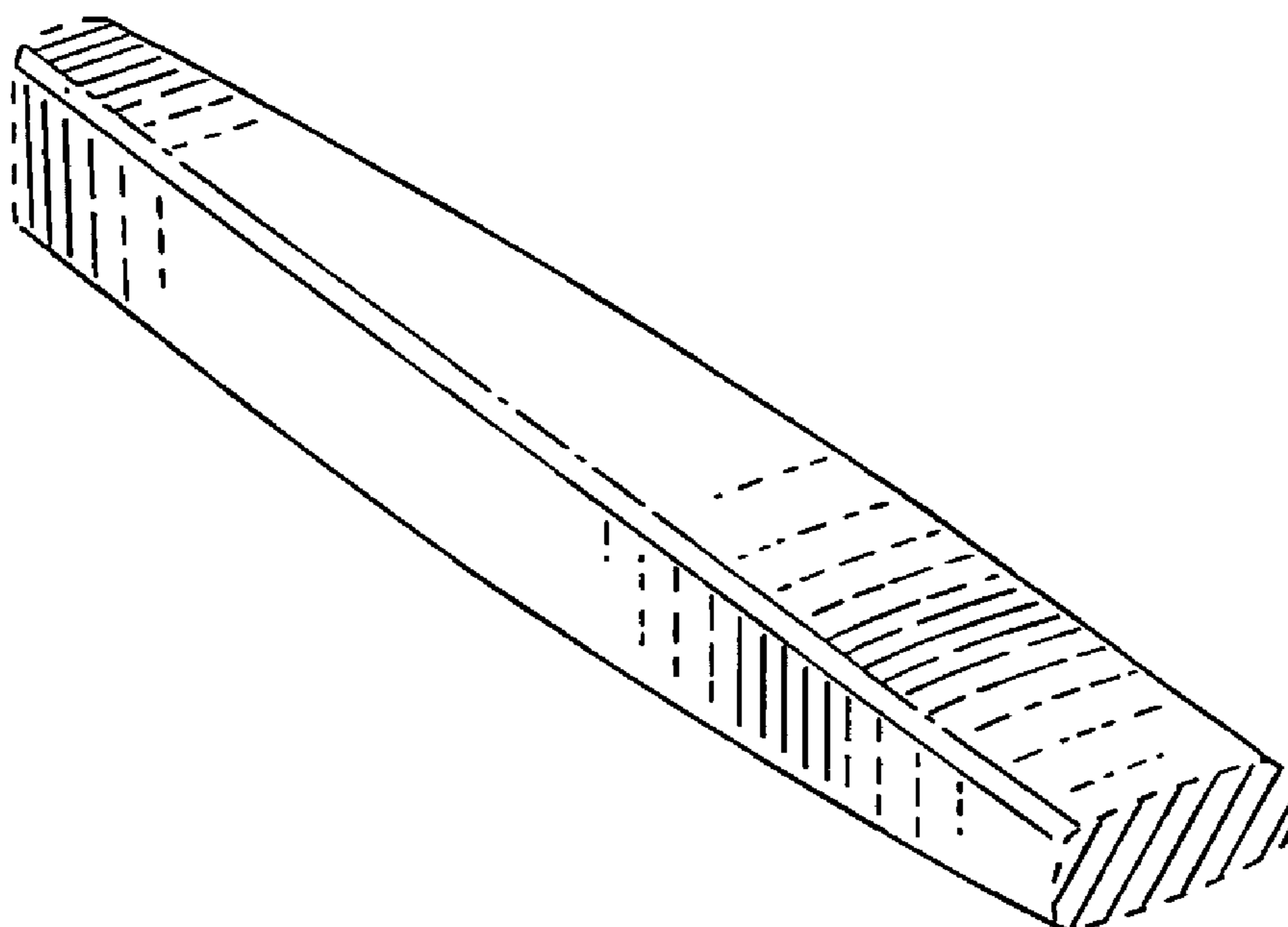
This patent application is related to the following patents granted to the inventor herein: U.S. Pat. No. 7,047,845; U.S. Pat. No. 6,959,628; U.S. Pat. No. 6,792,833; U.S. Pat. No. D494,833; U.S. Pat. No. 6,655,239; U.S. Pat. No. D481,613; Taiwan 207,794; China ZL03155502.0.; and, Canada 2,412, 131.

FIG. 1 is a perspective view of a wrench handle section showing my new design;
FIG. 2 is a top plan view thereof;
FIG. 3 is a bottom plan view thereof;
FIG. 4 is a right side elevation view thereof; and,
FIG. 5 is a left side elevation view thereof.

The front of the wrench handle section forms no part of the claimed design; and,
The rear of the wrench handle section forms no part of the claimed design.
The broken line disclosure at the ends of the wrench handle section shown in FIGS. 1-5 define the boundaries of the claimed subject matter, but form no part of it.

1 Claim, 2 Drawing Sheets

- (56) **References Cited**
U.S. PATENT DOCUMENTS
D481,613 S * 11/2003 Macor D8/107
6,655,239 B1 * 12/2003 Macor 81/125.1
D494,833 S * 8/2004 Macor D8/107
D506,371 S * 6/2005 Hsien D8/27



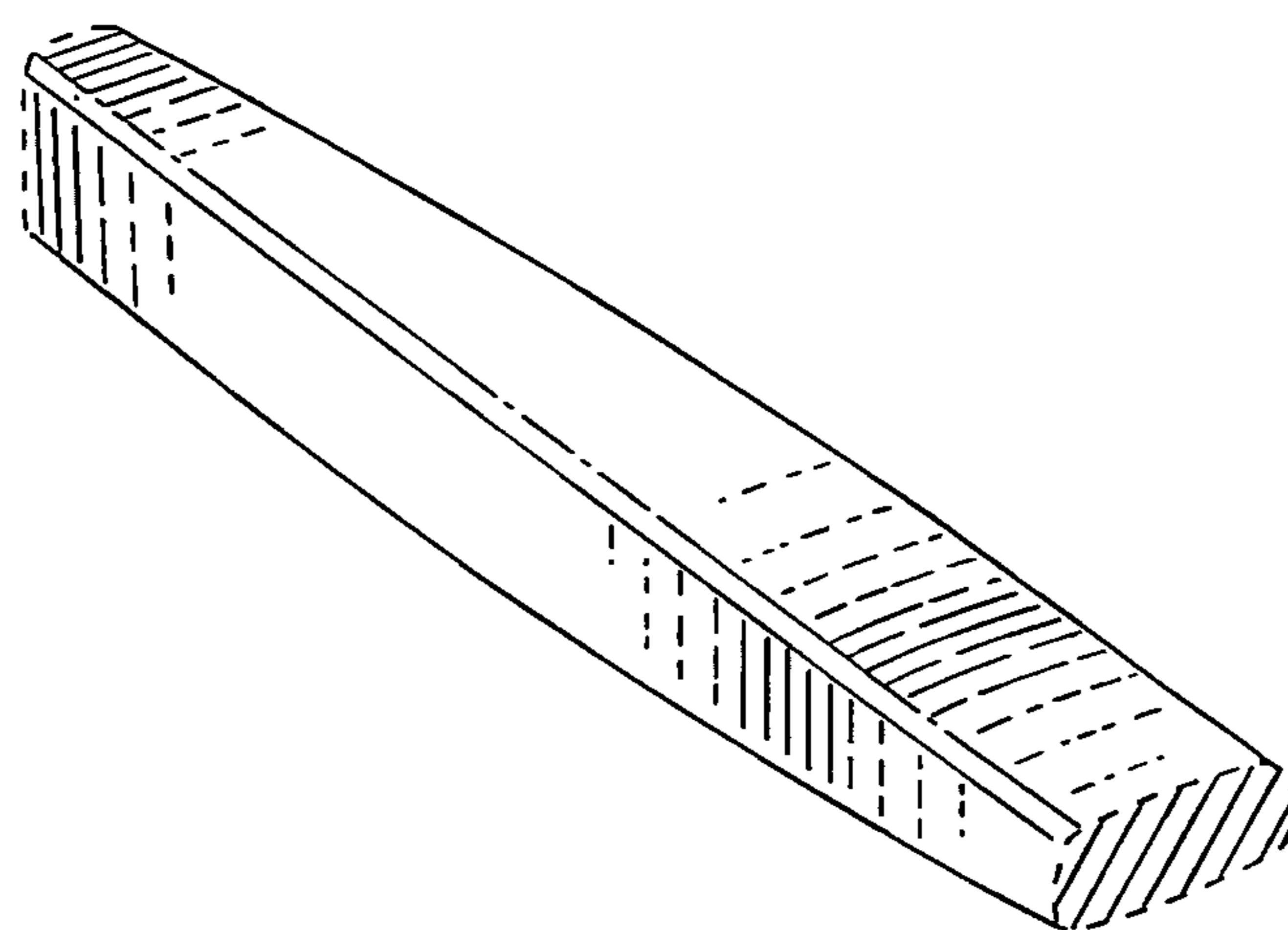


FIG. 1

FIG. 2

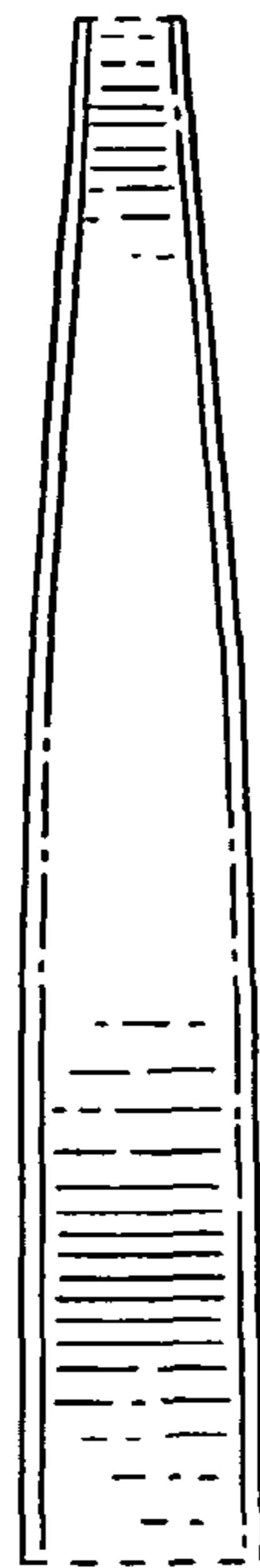


FIG. 3



FIG. 4

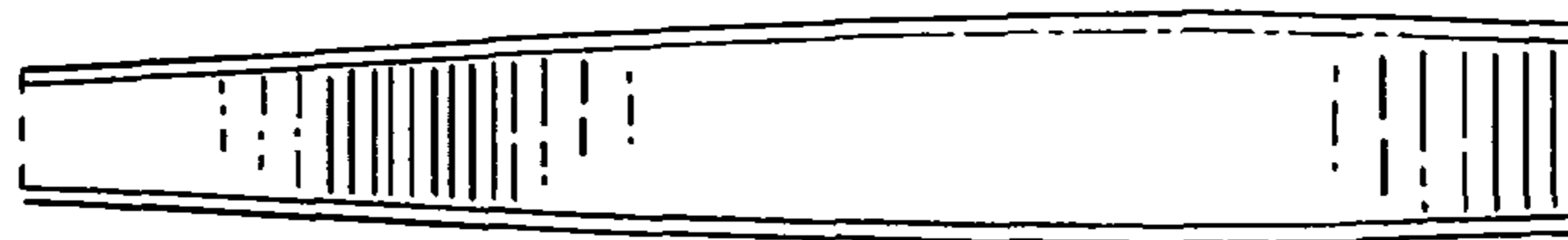


FIG. 5

