



US00D701437S

(12) **United States Design Patent**
Macor

(10) **Patent No.:** **US D701,437 S**

(45) **Date of Patent:** **** Mar. 25, 2014**

(54) **STUBBY WRENCH HANDLE**

D604,130 S * 11/2009 Macor D8/22
D632,147 S * 2/2011 Yang D8/28
D681,409 S * 5/2013 Macor D8/22

(75) Inventor: **Richard J. Macor**, Hunterdon County,
NJ (US)

* cited by examiner

(73) Assignee: **Proprietary Technologies, Inc.**,
Hunterdon County, NJ (US)

Primary Examiner — Randall Gholson

(**) Term: **14 Years**

(57) **CLAIM**

The ornamental design for a stubby wrench handle, as shown and described.

(21) Appl. No.: **29/421,594**

(22) Filed: **Aug. 20, 2012**

DESCRIPTION

(51) **LOC (10) Cl.** **08-05**

(52) **U.S. Cl.**

USPC **D8/21**; D8/107

(58) **Field of Classification Search**

USPC D8/21–29, 107, 303, 17, 82–87;
81/125.1, 124.1, 124.4, 177.1–177.7,
81/489, 436–440, 60; 16/110.1, 421, 422,
16/430, 431; D7/395, 649, 402.1, 393,
D7/645, 401.2; D4/135, 138

See application file for complete search history.

This patent application is related to the following patents granted to the inventor herein: U.S. Pat. No. 7,047,845; U.S. Pat. No. 6,959,628; U.S. Pat. No. 6,792,833; U.S. Pat. No. D494,833; U.S. Pat. No. 6,655,239; U.S. Pat. No. D481,613; Taiwan 207,794; China ZL03155502.0.; and, Canada 2,412, 131.

FIG. 1 is a perspective view of a stubby wrench handle showing my new design;

FIG. 2 is a top plan view thereof;

FIG. 3 is a bottom plan view thereof;

FIG. 4 is a right side elevation view thereof; and,

FIG. 5 is a left side elevation view thereof.

The front of the stubby wrench handle forms no part of the claimed design; and,

The rear of the stubby wrench handle forms no part of the claimed design.

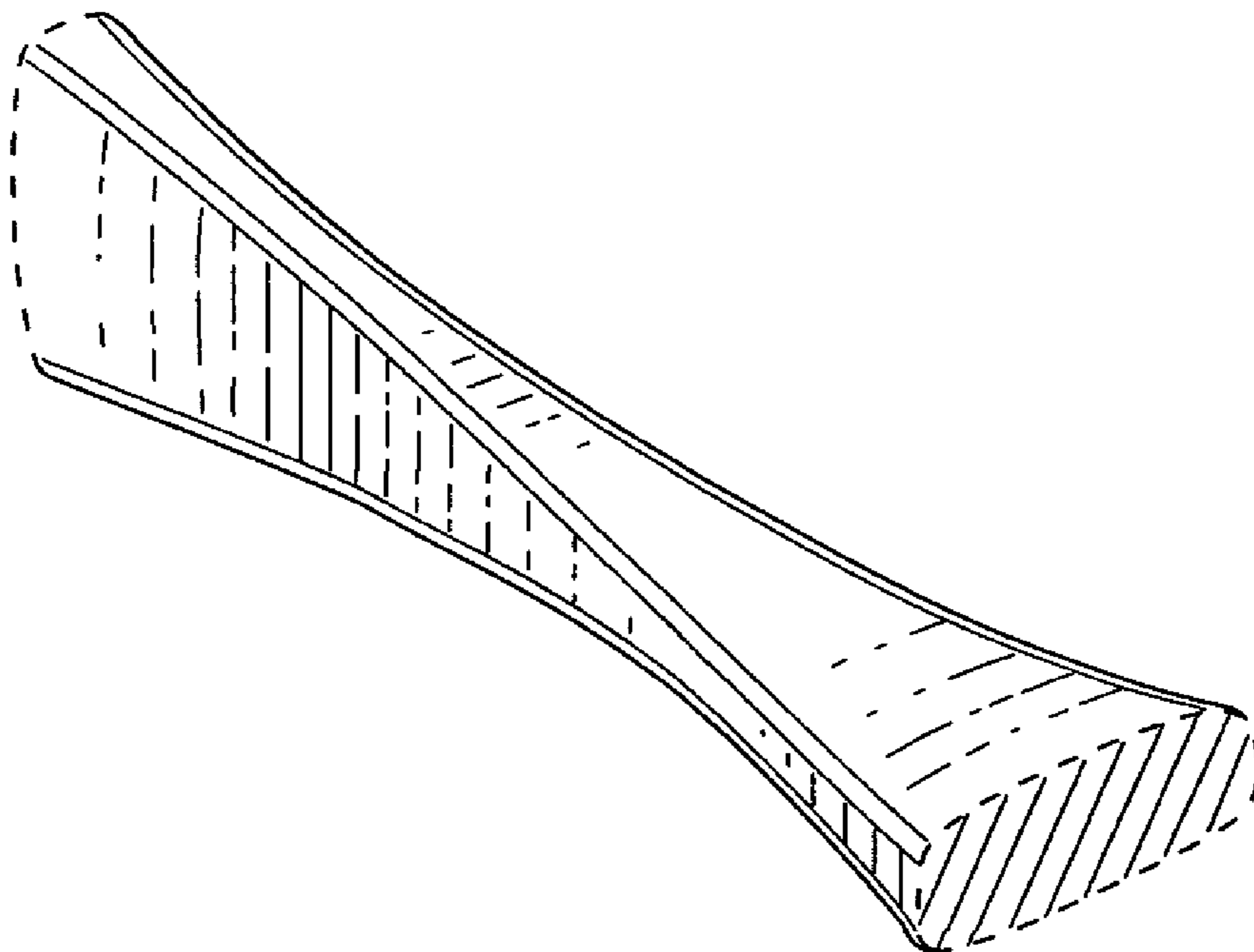
The broken line disclosure at the ends of the stubby wrench handle shown in FIGS. 1-5 define the boundaries of the claimed subject matter, but form no part of it.

(56) **References Cited**

U.S. PATENT DOCUMENTS

D481,613 S * 11/2003 Macor D8/107
6,655,239 B1 * 12/2003 Macor 81/125.1
D494,833 S * 8/2004 Macor D8/107
D506,371 S * 6/2005 Hsien D8/27
D520,824 S * 5/2006 Hsien D8/28
7,047,845 B2 * 5/2006 Macor 81/177.1
D562,655 S * 2/2008 Chen D8/28
D595,551 S * 7/2009 Yang D8/27

1 Claim, 2 Drawing Sheets



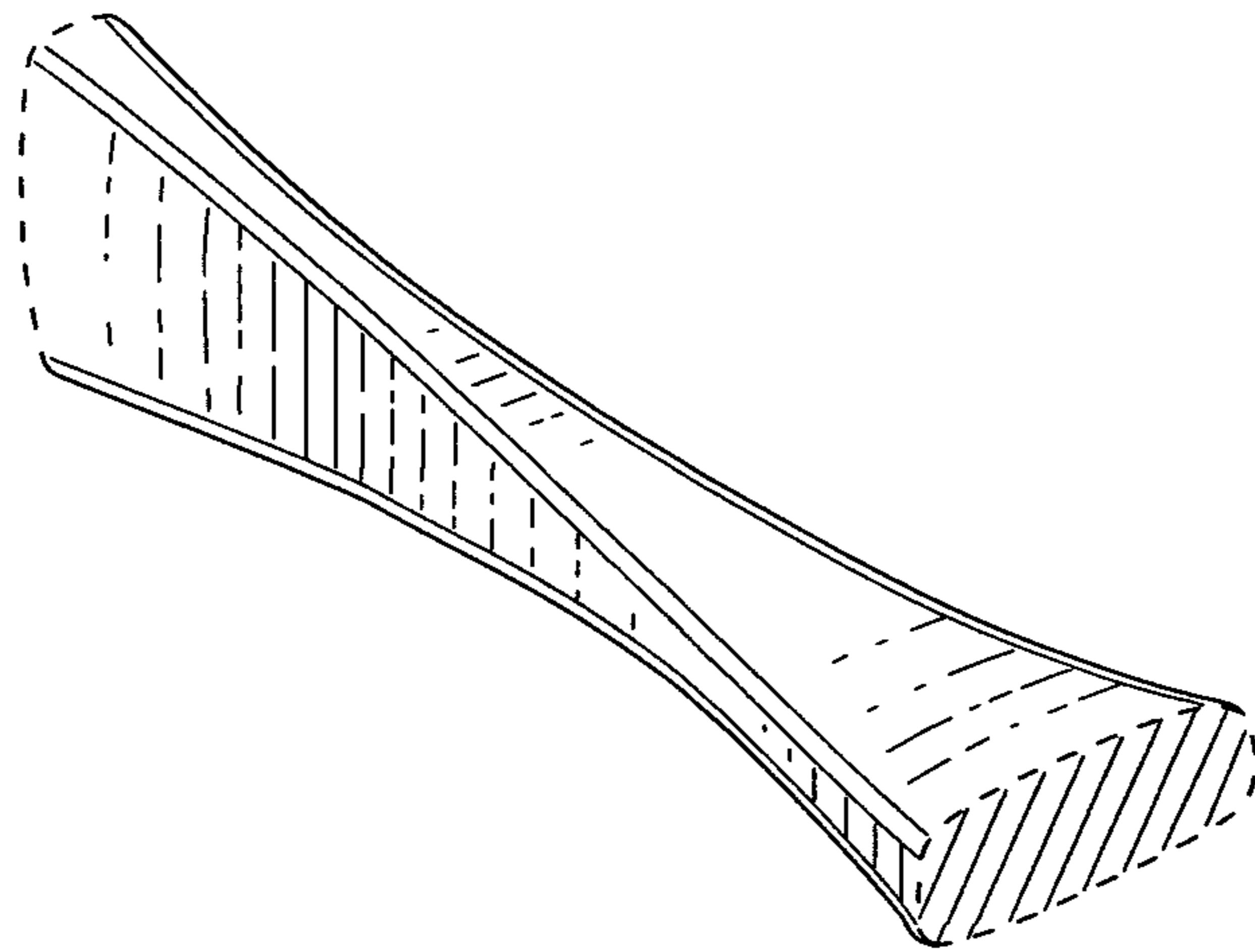


FIG. 1

FIG. 2

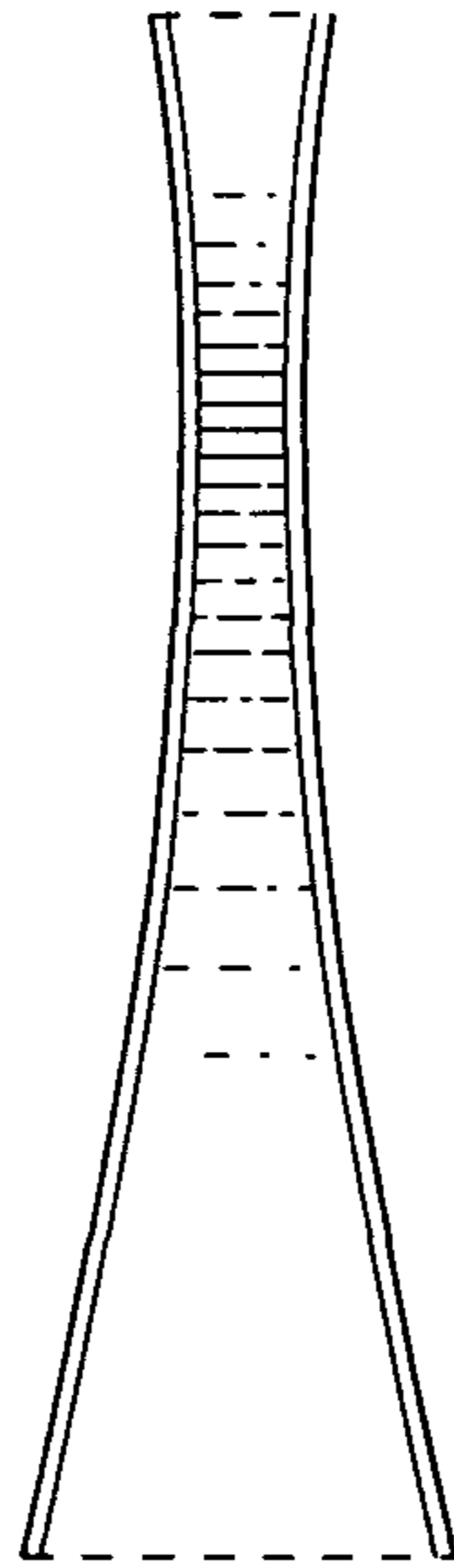


FIG. 3

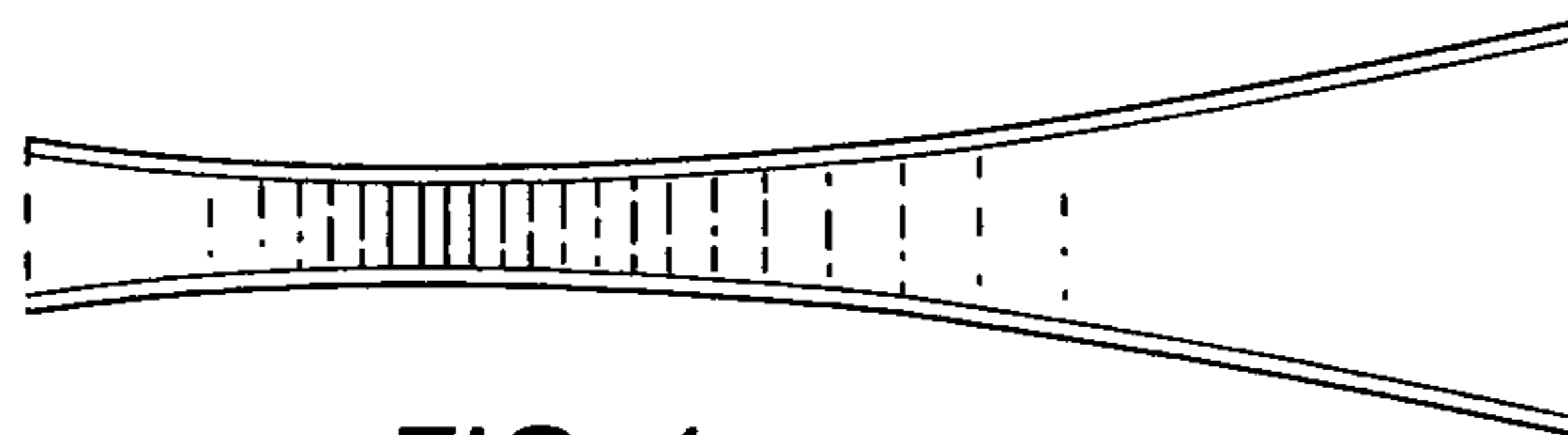
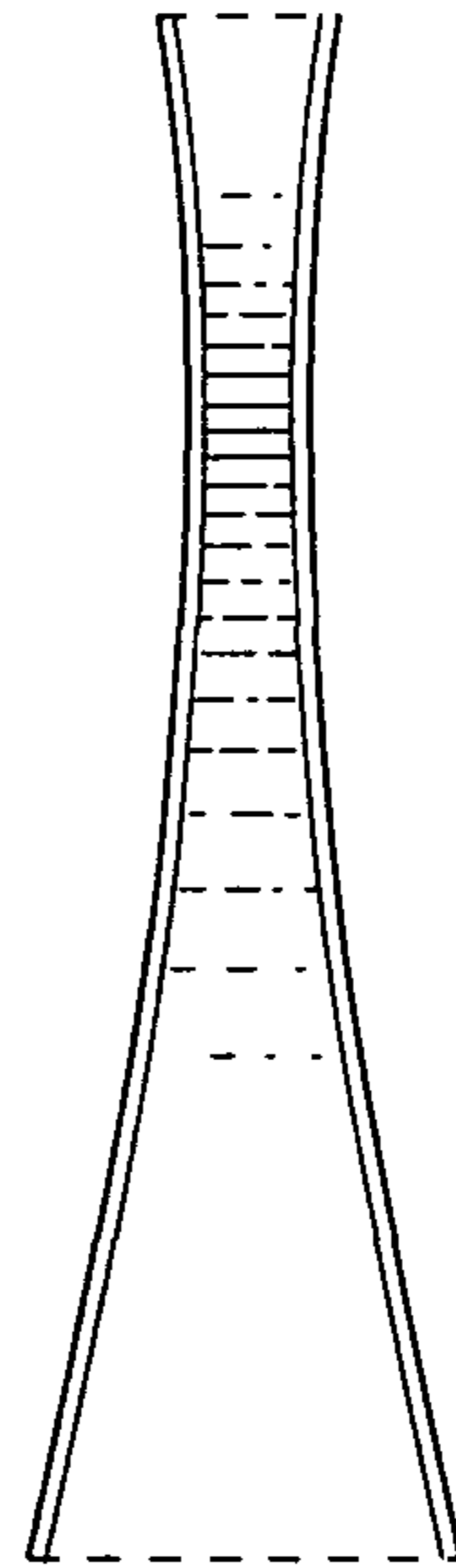


FIG. 4

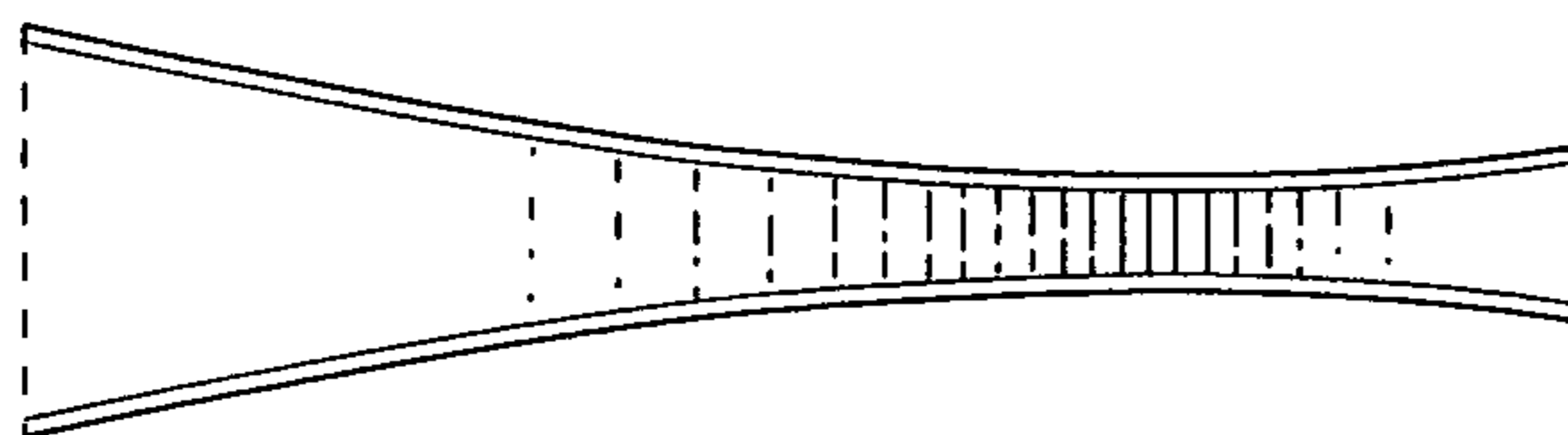


FIG. 5