



US00D701436S

(12) **United States Design Patent**  
**Paulick**

(10) **Patent No.:** **US D701,436 S**  
(45) **Date of Patent:** **\*\* Mar. 25, 2014**

(54) **MODULAR UNIT FOR FORMING A HONEYCOMB RACK**

(71) Applicant: **John Forrest Paulick**, Philadelphia, PA (US)  
(72) Inventor: **John Forrest Paulick**, Philadelphia, PA (US)  
(73) Assignee: **John F. Paulick**, Philadelphia, PA (US)  
(\*\*) Term: **14 Years**

(21) Appl. No.: **29/433,204**

(22) Filed: **Sep. 27, 2012**

(51) **LOC (10) Cl.** ..... **06-04**

(52) **U.S. Cl.**  
USPC ..... **D7/701**

(58) **Field of Classification Search**  
USPC ..... D7/701-708, 691.1-625, 600.1-600.4;  
211/71.01, 70.6, 70.7, 74; D6/449,  
D6/455, 457, 458, 460, 462, 463, 465, 466,  
D6/471, 472, 509, 512  
See application file for complete search history.

(56) **References Cited**

**U.S. PATENT DOCUMENTS**

3,870,155 A \* 3/1975 Galloway ..... 211/74  
D236,411 S \* 8/1975 Horney ..... D7/708

(Continued)

*Primary Examiner* — Terry Wallace

(57) **CLAIM**

I claim the ornamental design for a modular unit for forming a honeycomb rack, as shown and described.

**DESCRIPTION**

FIG. 1 is a front perspective view of the modular unit for forming a honeycomb rack in accordance with a first embodiment of the present invention, a portion of the unit being broken away to indicate indeterminate length.

FIG. 2 is a front view of the modular unit for forming a honeycomb rack of FIG. 1.

FIG. 3 is a rear view of the modular unit for forming a honeycomb rack of FIG. 1.

FIG. 4 is a right-side view of the modular unit for forming a honeycomb rack of FIG. 1.

FIG. 5 is a left-side view of the modular unit for forming a honeycomb of FIG. 1.

FIG. 6 is a top view of the modular unit for forming a honeycomb rack of FIG. 1.

FIG. 7 is a bottom view of the modular unit for forming a honeycomb rack of FIG. 1.

FIG. 8 is a front perspective view of the modular unit for forming a honeycomb rack in accordance with a second embodiment of the present invention, a portion of the unit being broken away to indicate indeterminate height.

FIG. 9 is a front view of the modular unit for forming a honeycomb rack of FIG. 8.

FIG. 10 is a rear view of the modular unit for forming a honeycomb rack of FIG. 8.

FIG. 11 is a right-side view of the modular unit for forming a honeycomb rack of FIG. 8.

FIG. 12 is a left-side view of the modular unit for forming a honeycomb rack of FIG. 8.

FIG. 13 is a top view of the modular unit for forming a honeycomb rack of FIG. 8.

FIG. 14 is a bottom view of the modular unit for forming a honeycomb rack of FIG. 8.

FIG. 15 is a front perspective view of the modular unit for forming a honeycomb rack in accordance with a third embodiment of the present invention, a portion of the unit being broken away to indicate indeterminate length and height.

FIG. 16 is a front view of the modular unit for forming a honeycomb rack of FIG. 15.

FIG. 17 is a rear view of the modular unit for forming a honeycomb rack of FIG. 15.

FIG. 18 is a right-side view of the modular unit for forming a honeycomb rack of FIG. 15.

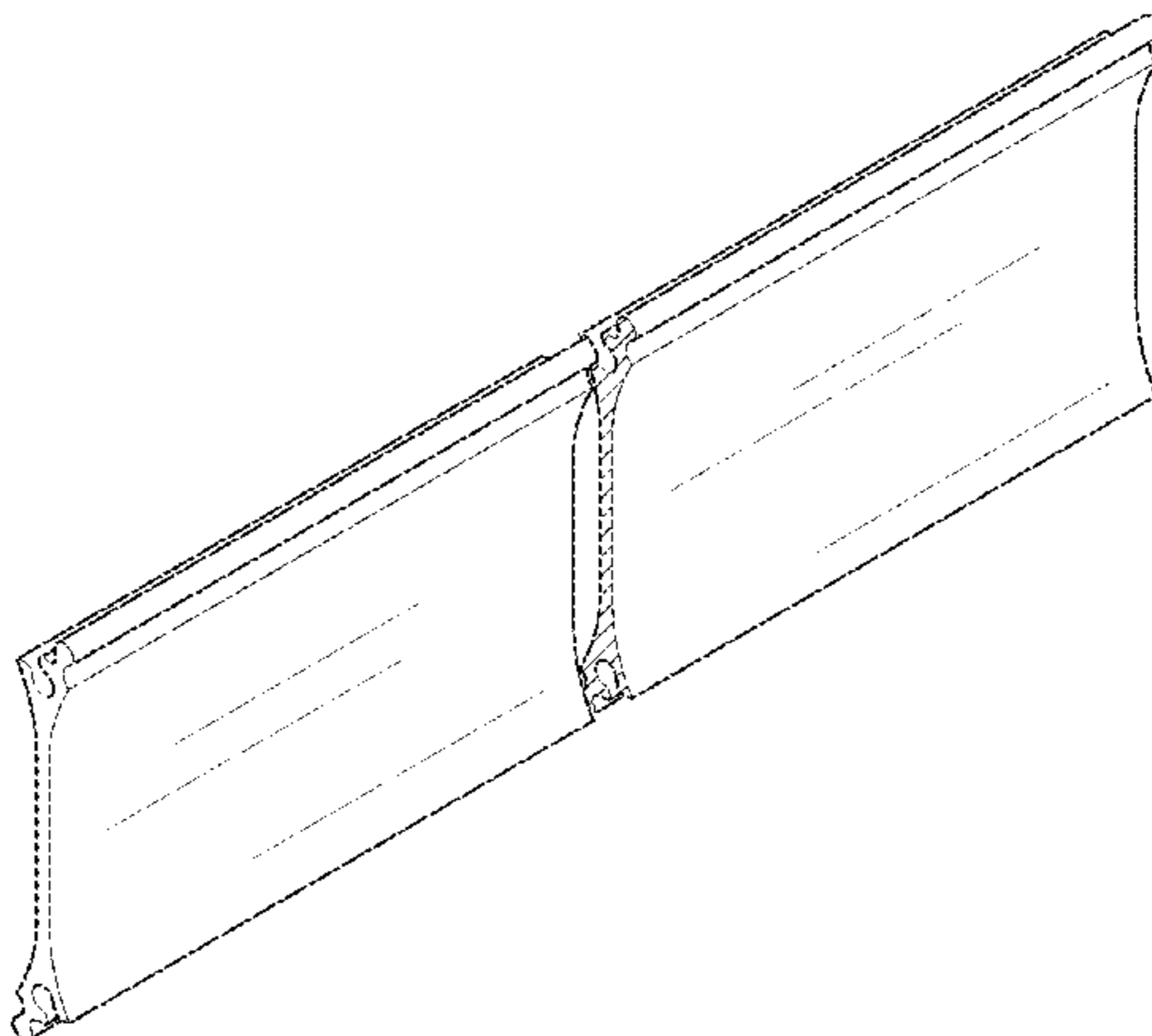
FIG. 19 is a left-side view of the modular unit for forming a honeycomb rack of FIG. 15.

FIG. 20 is a top view of the modular unit for forming a honeycomb rack of FIG. 15; and,

FIG. 21 is a bottom view of the modular unit for forming a honeycomb rack of FIG. 15.

The broken lines are provided for illustrative purposes only and form no part of the claimed design.

**1 Claim, 9 Drawing Sheets**



(56)

**References Cited**

U.S. PATENT DOCUMENTS

D252,550 S *	8/1979	Johnson	.....	D7/708	D446,092 S *	8/2001	Cautereels	.....	D7/701
4,422,555 A *	12/1983	Jacobs	.....	211/74	D479,786 S *	9/2003	Matheou	.....	D7/701
4,660,727 A *	4/1987	Levine	.....	211/74	D506,364 S *	6/2005	Pratt	.....	D7/701
D353,747 S *	12/1994	Lanier	.....	D7/701	D525,091 S *	7/2006	Baxter et al.	.....	D7/701
D431,427 S *	10/2000	Syvuk et al.	.....	D7/708	7,287,653 B2 *	10/2007	Rhodes	.....	211/74
					D569,655 S *	5/2008	Williams	.....	D6/449
					D661,556 S *	6/2012	Warner	.....	D7/708
					2003/0205544 A1 *	11/2003	Rhodes	.....	211/74

\* cited by examiner

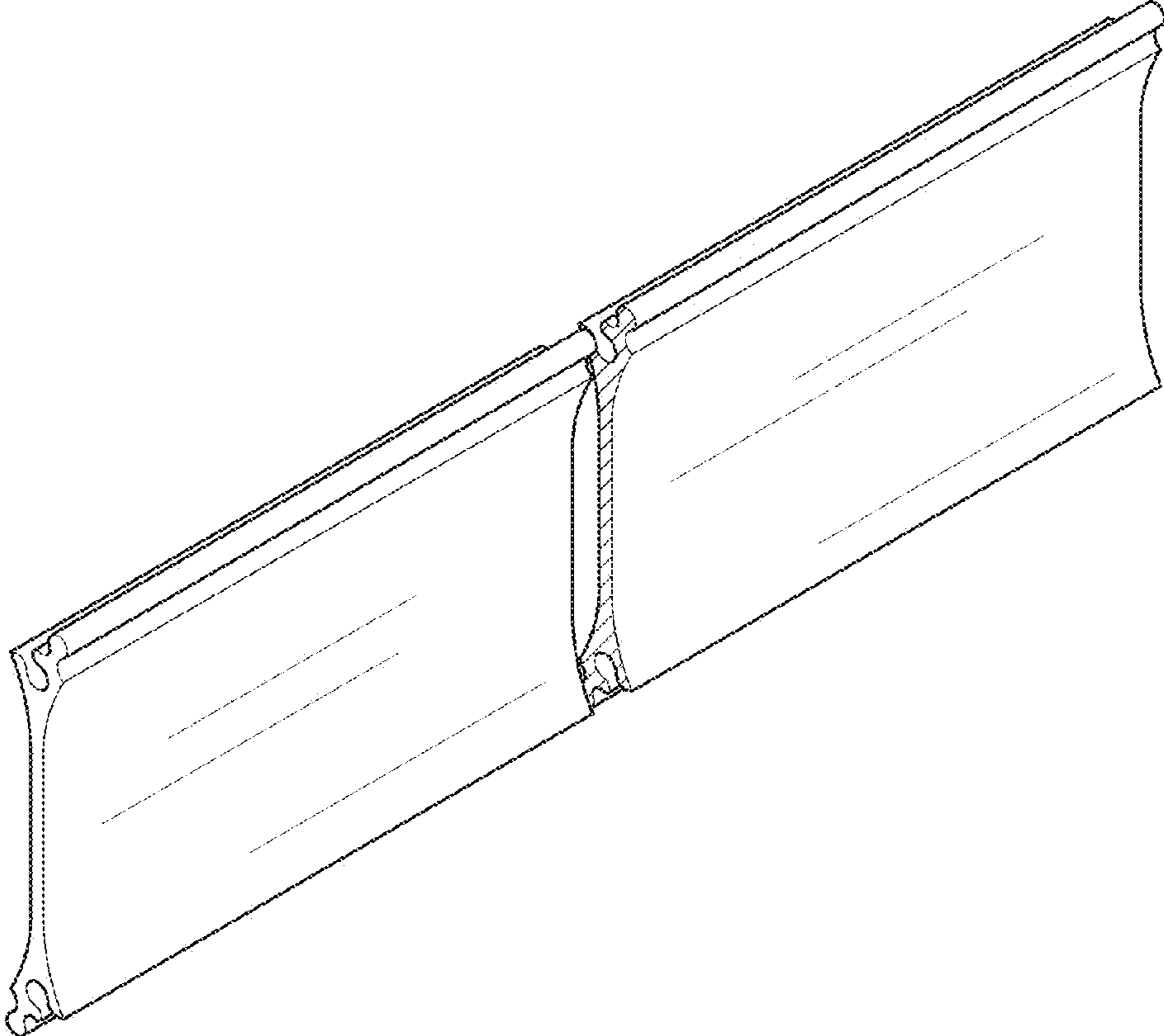


FIG. 1

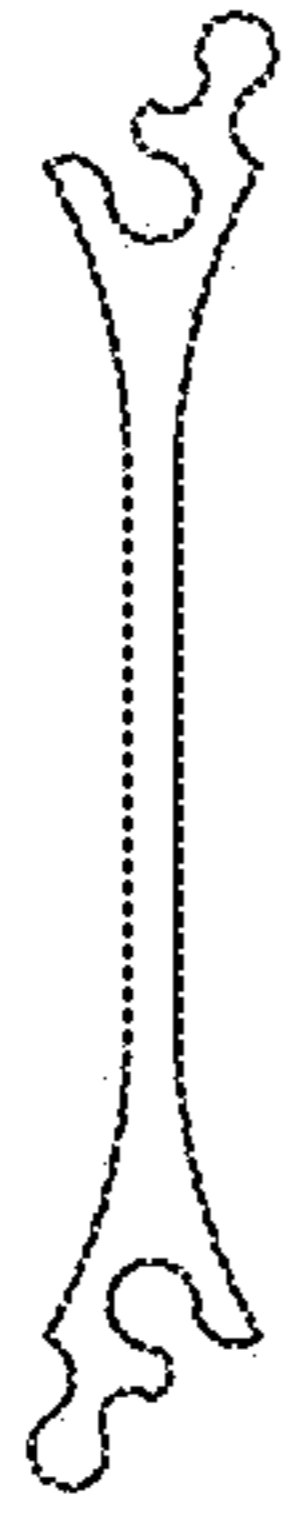


FIG. 2

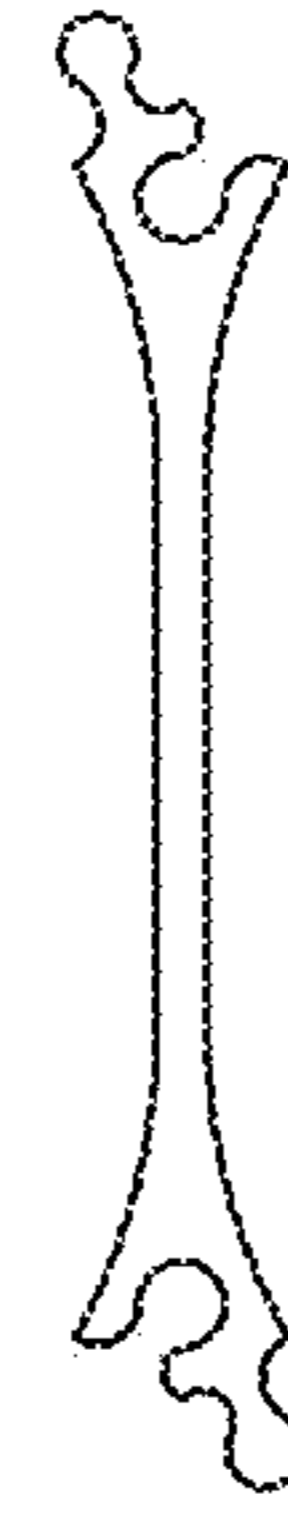


FIG. 3

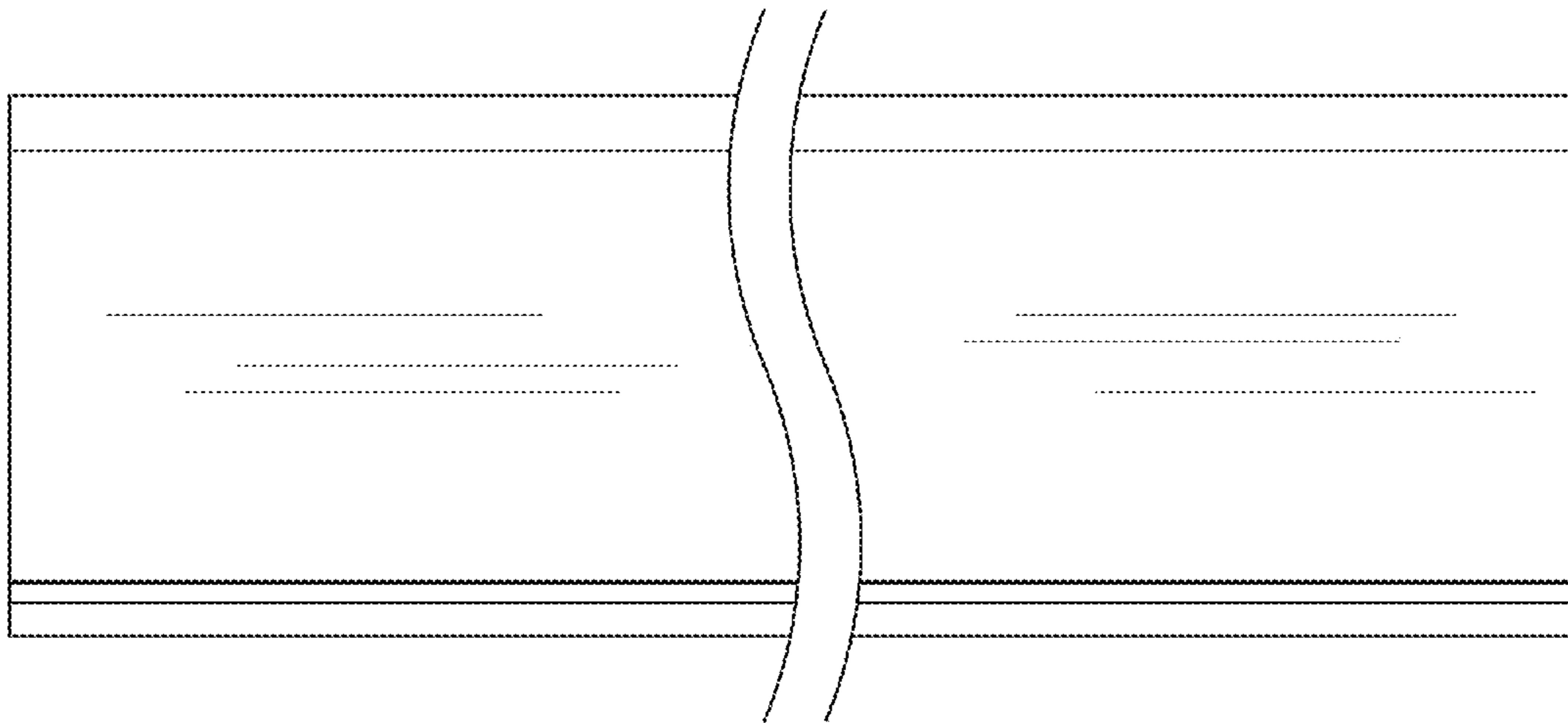


FIG. 4

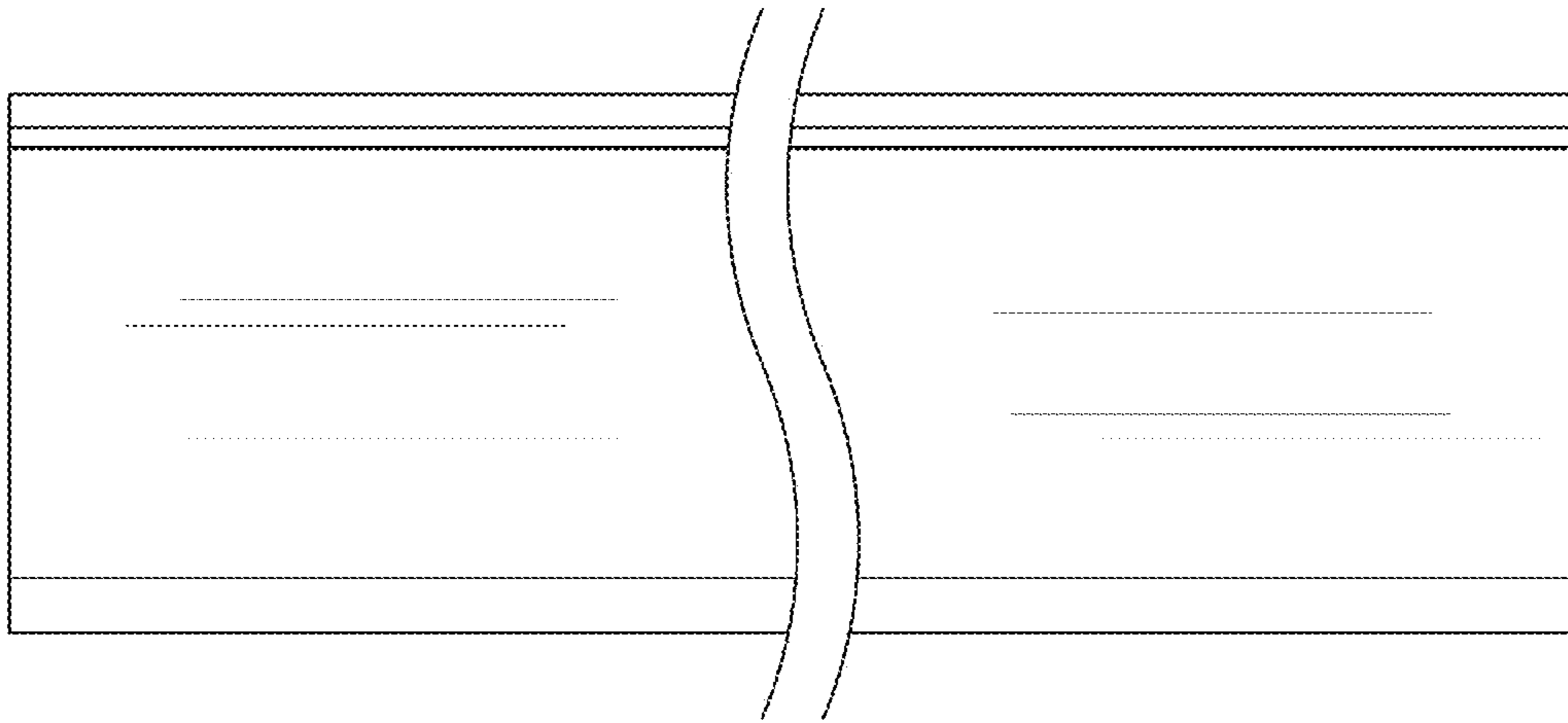


FIG. 5

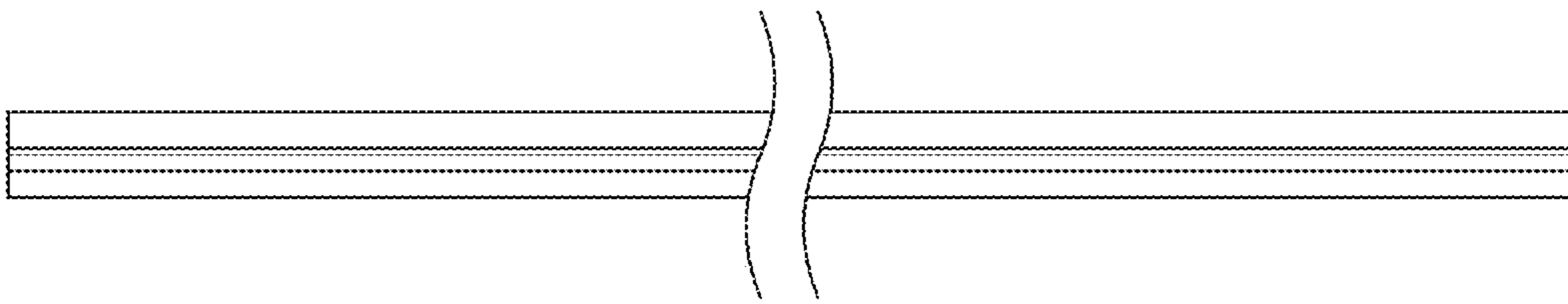


FIG. 6

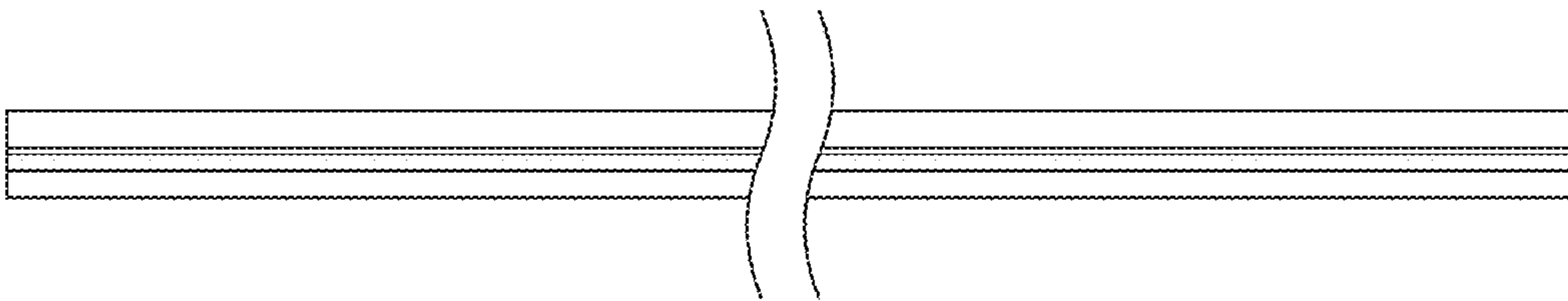


FIG. 7

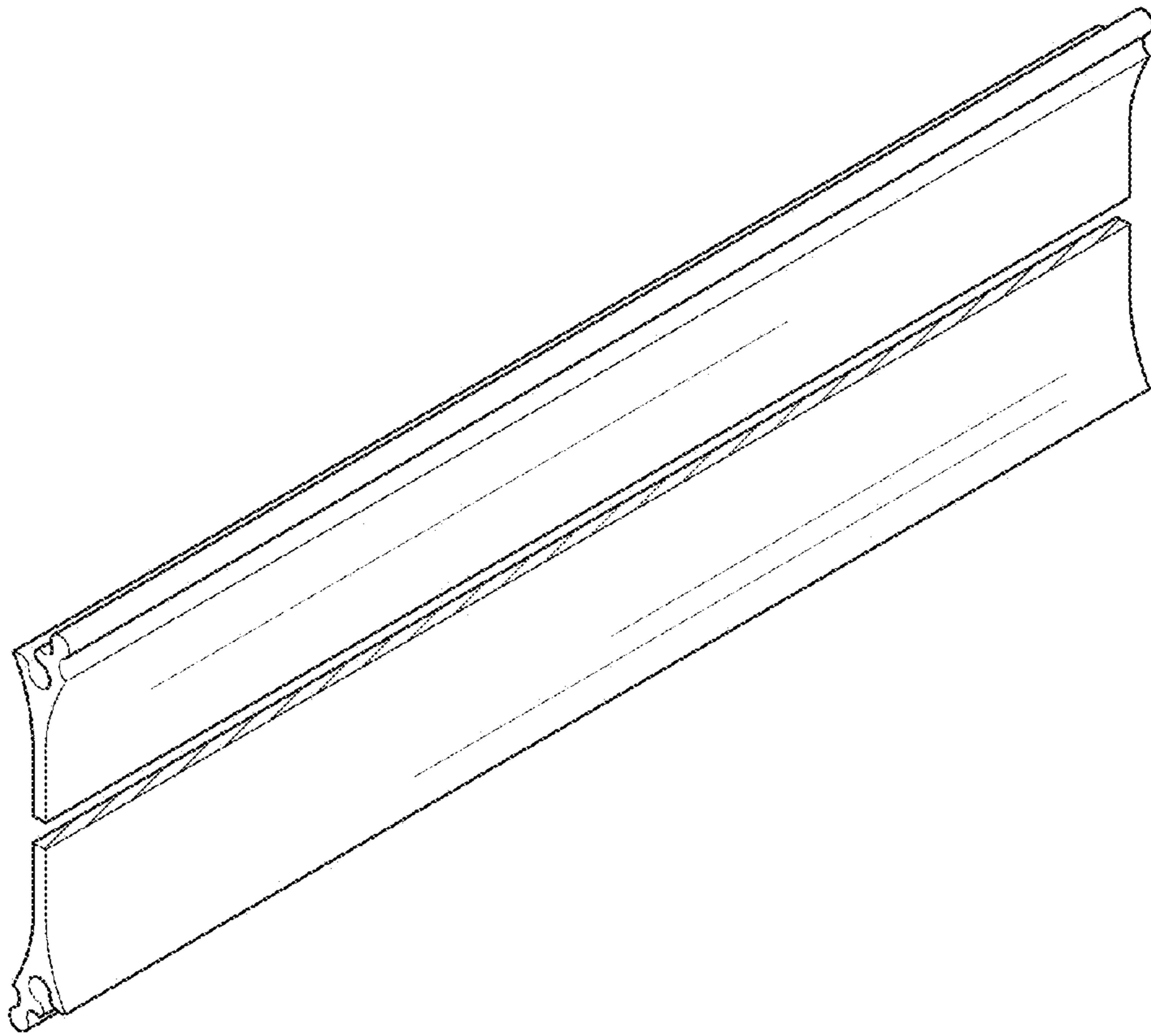


FIG. 8

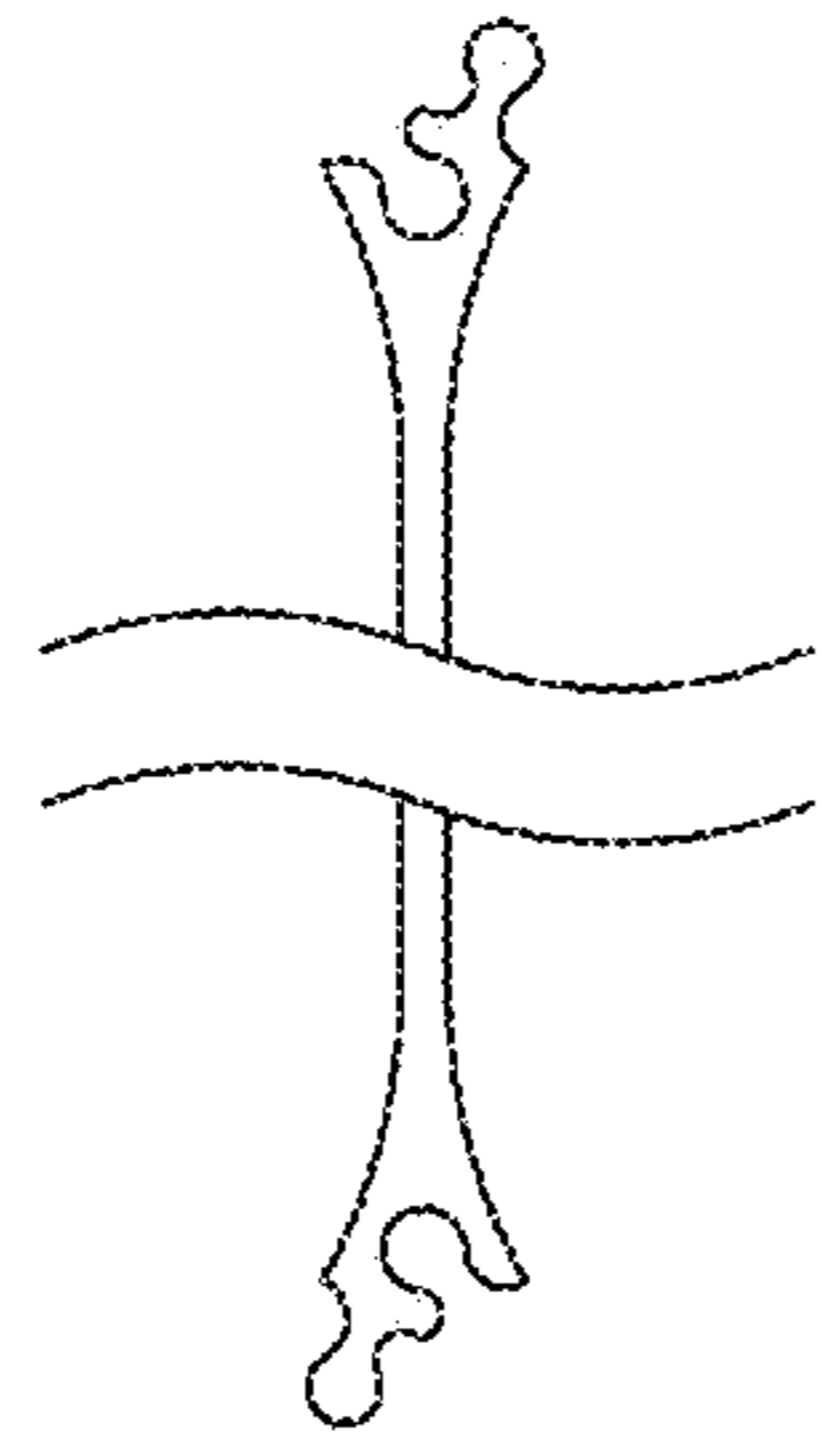


FIG. 9

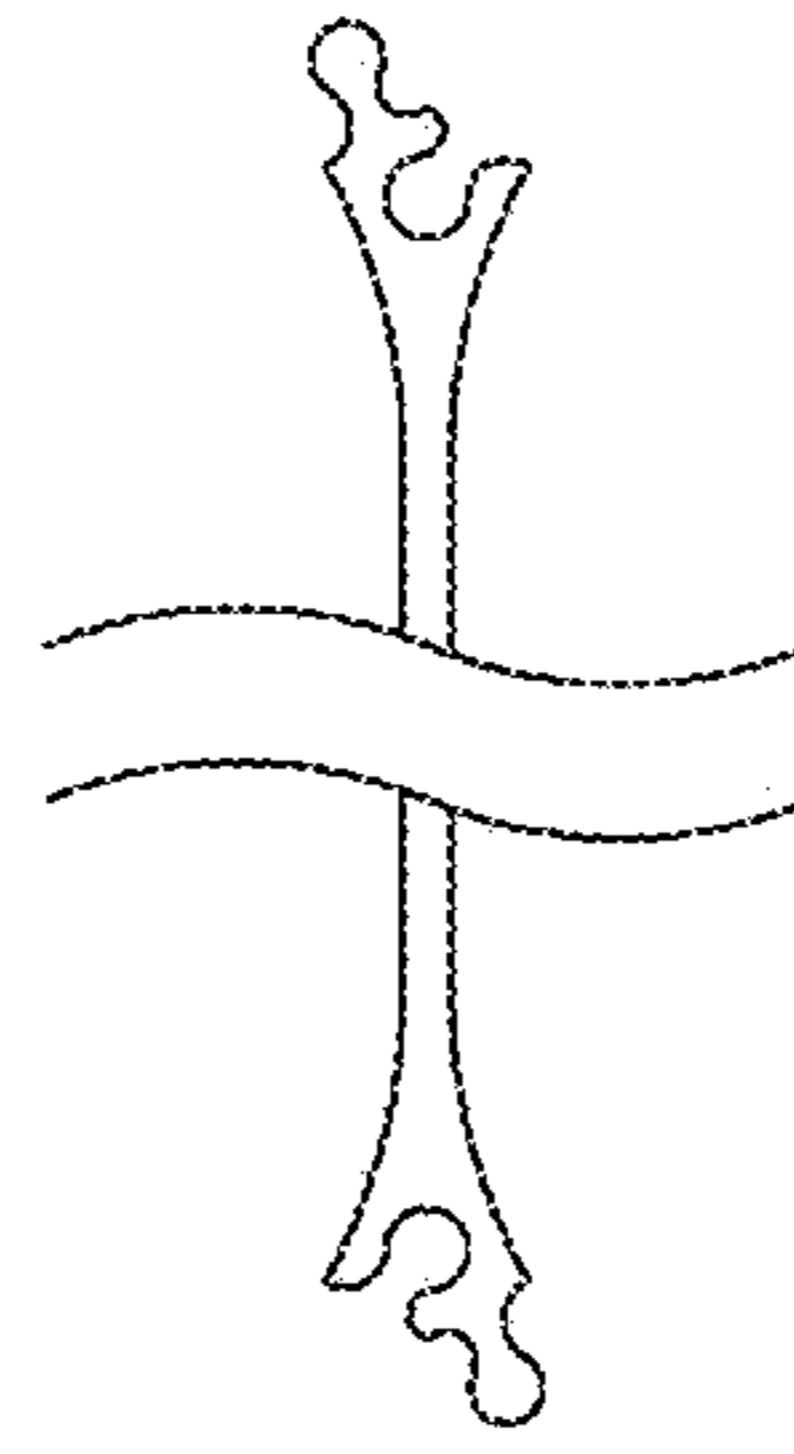


FIG. 10

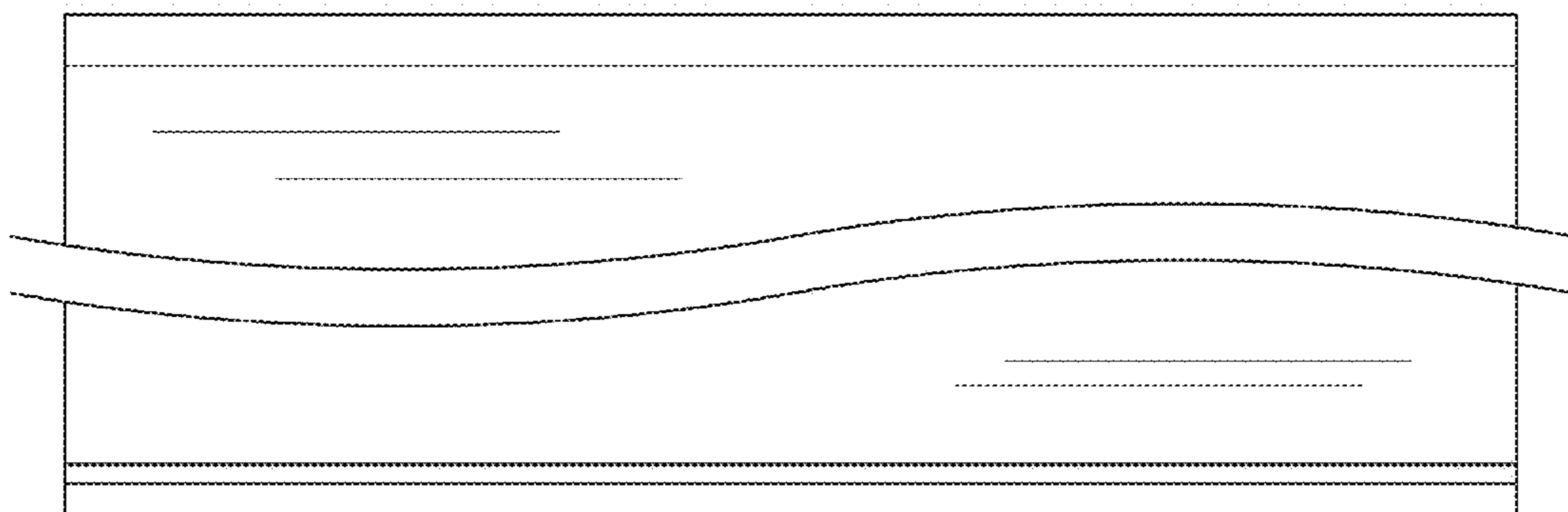


FIG. 11

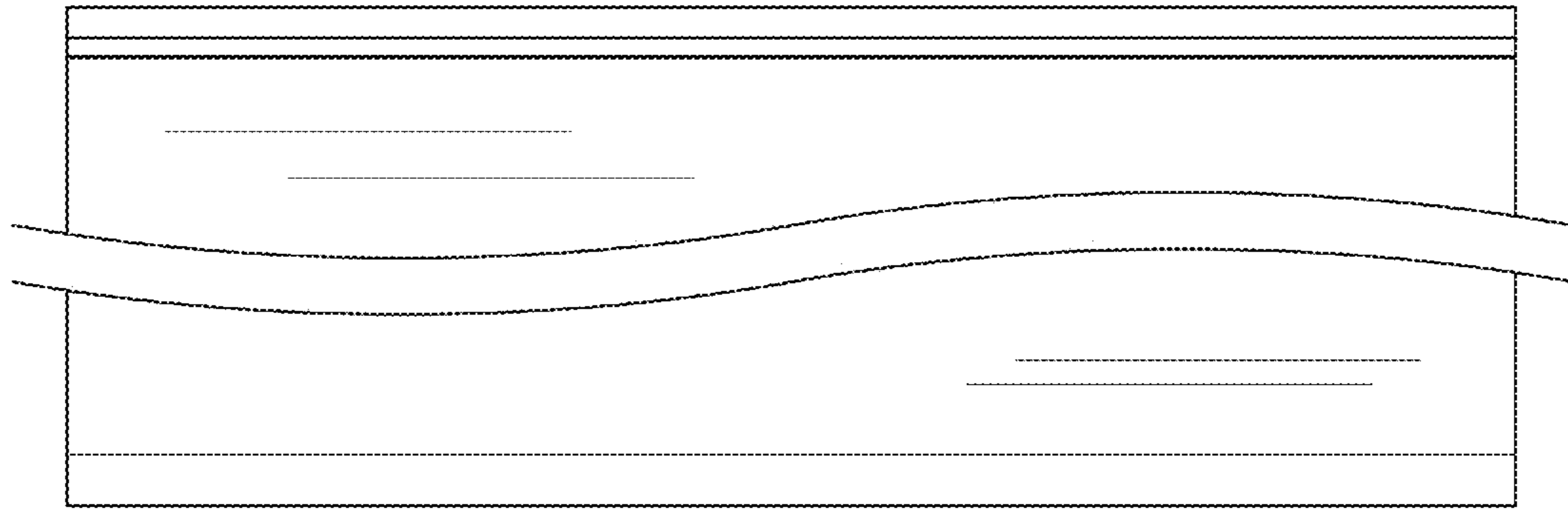


FIG. 12

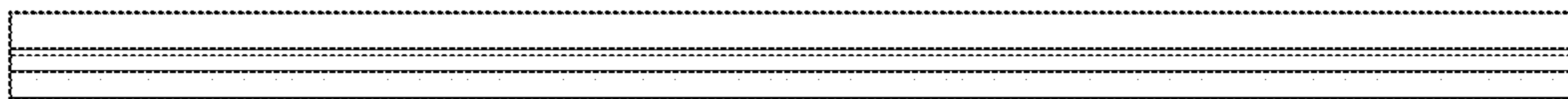


FIG. 13

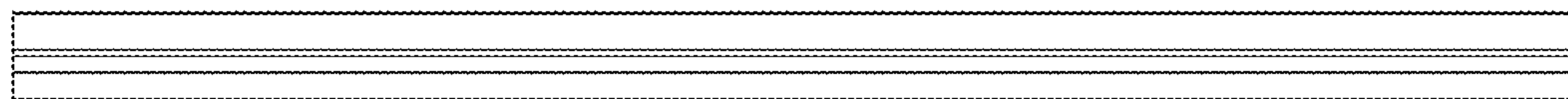


FIG. 14



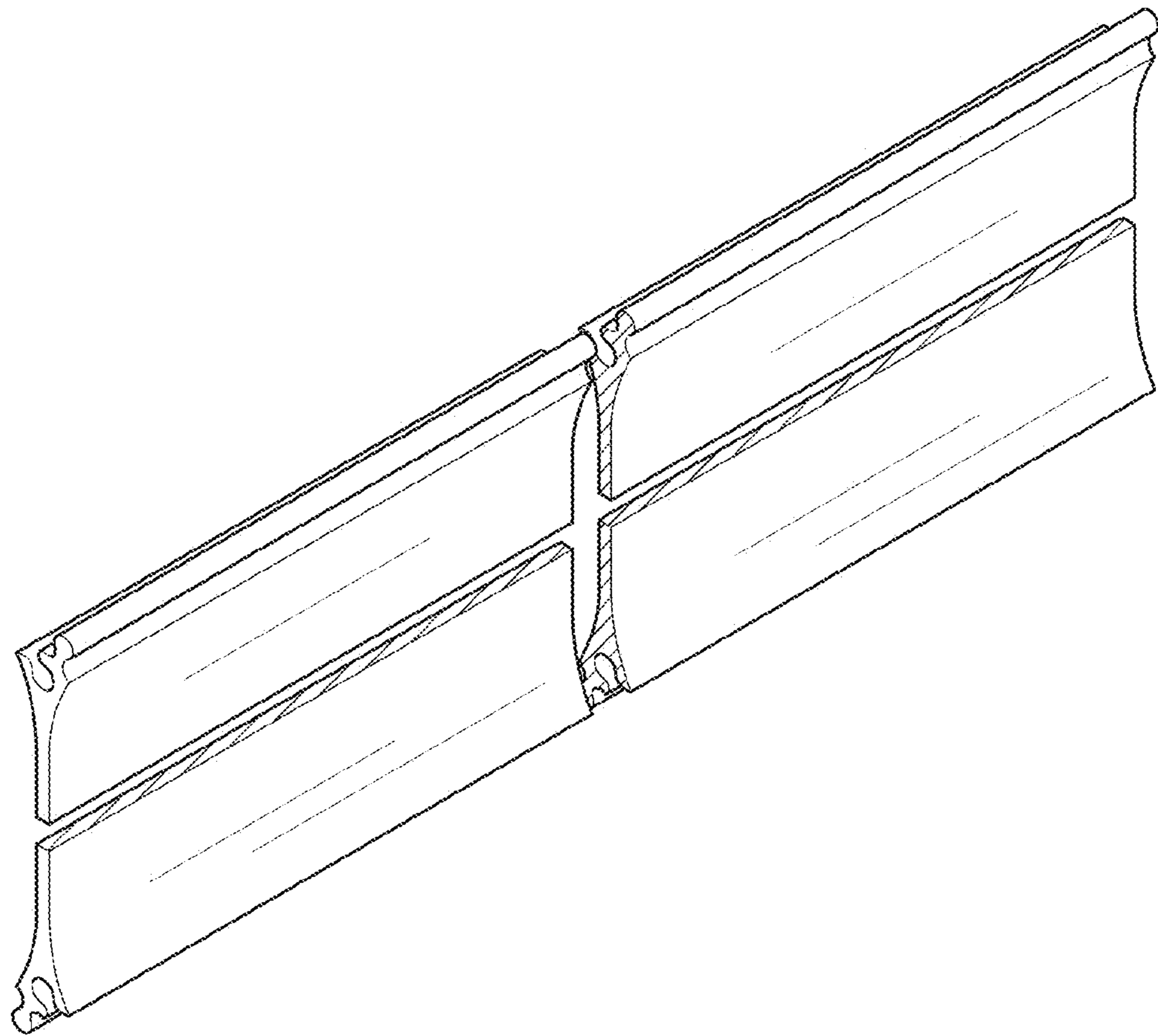


FIG. 15

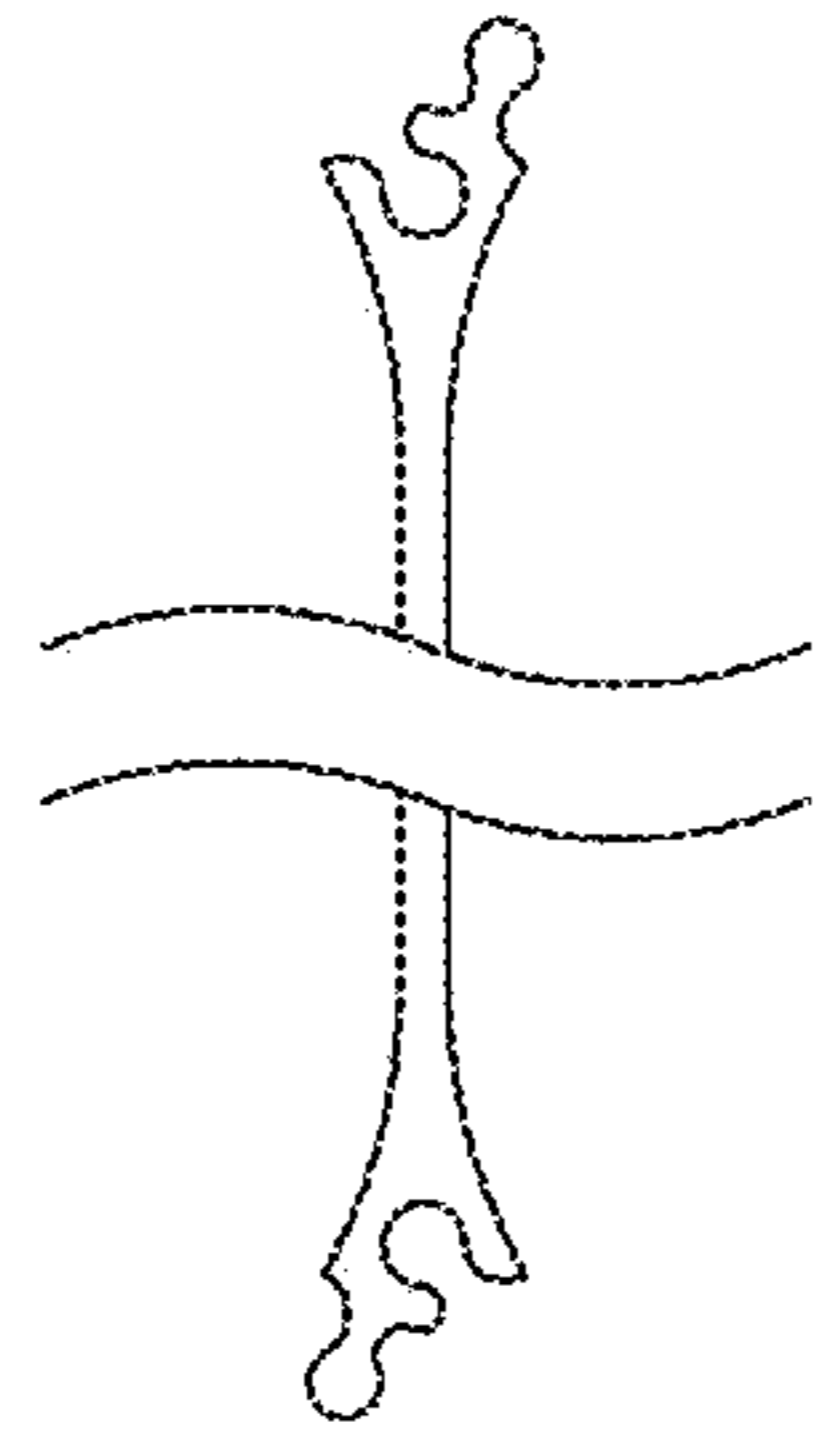


FIG. 16

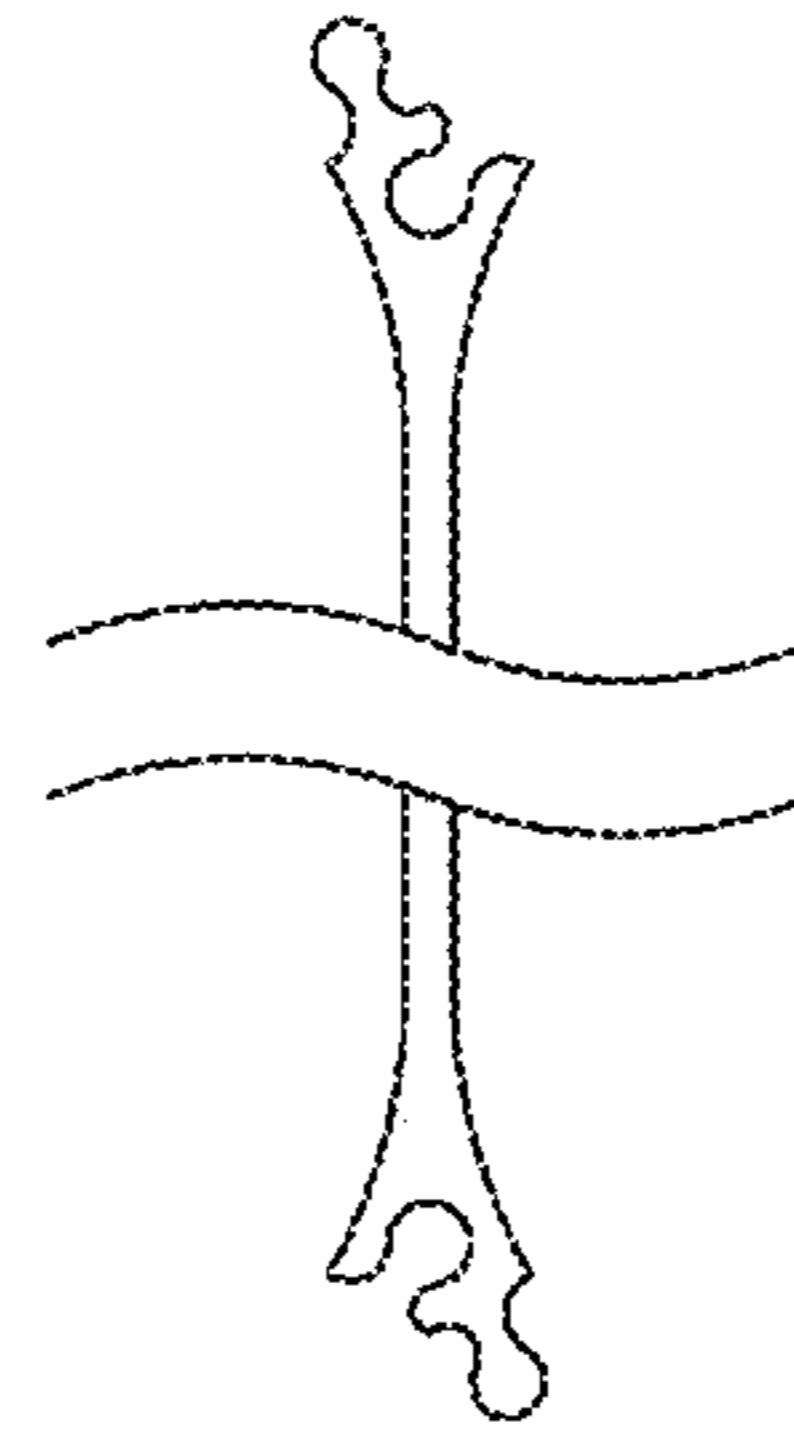


FIG. 17

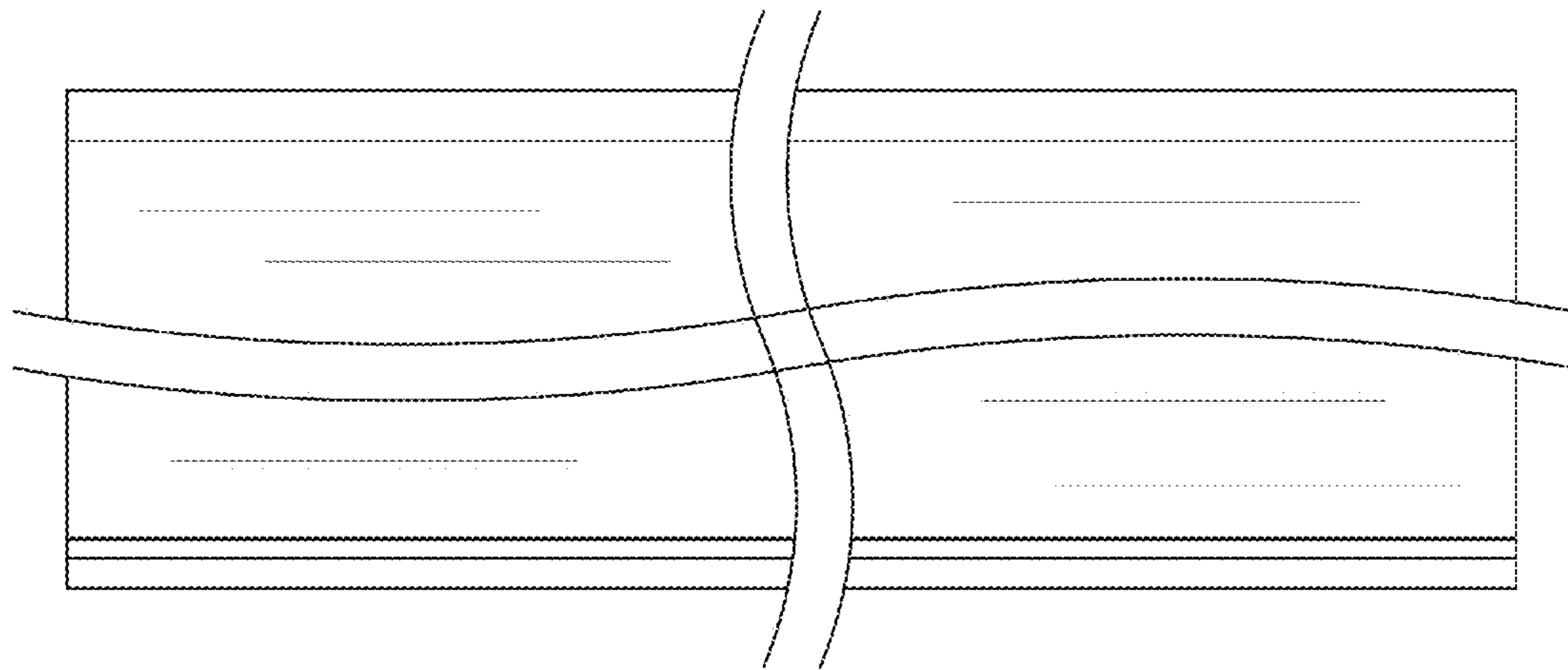


FIG. 18

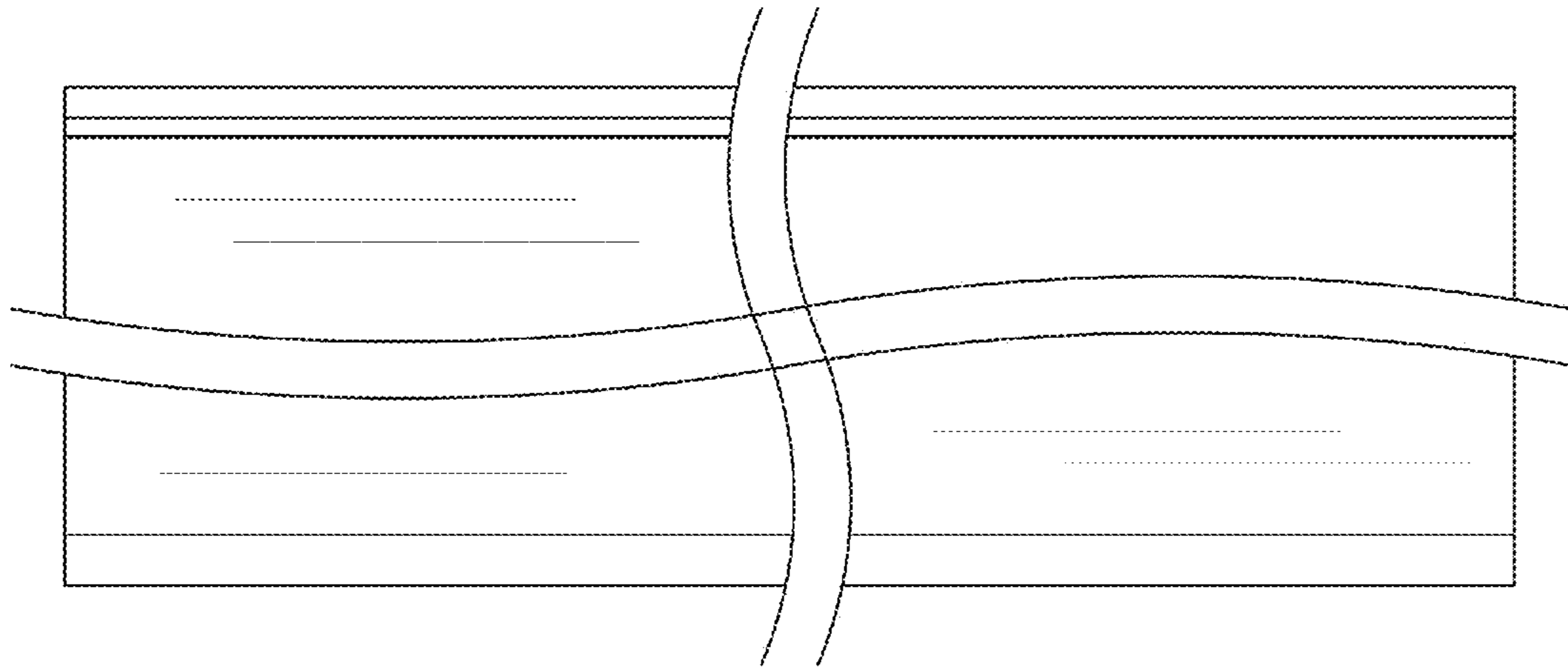


FIG. 19

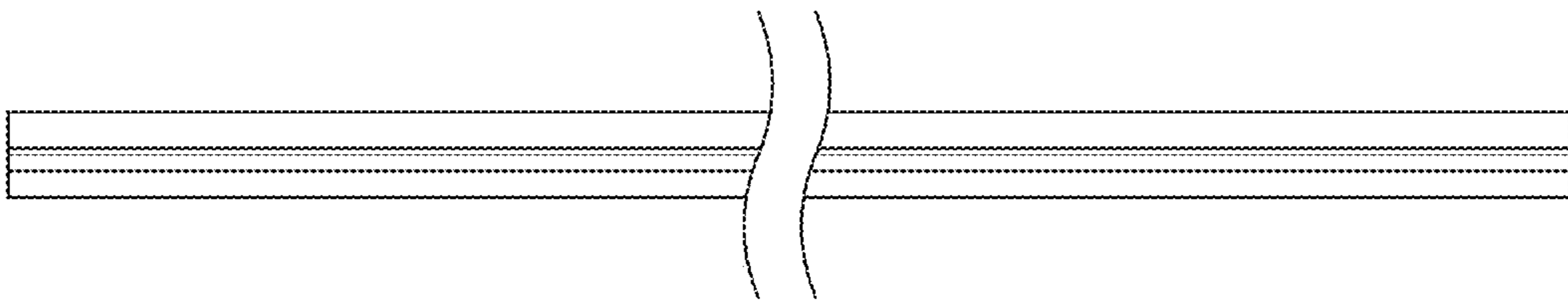


FIG. 20

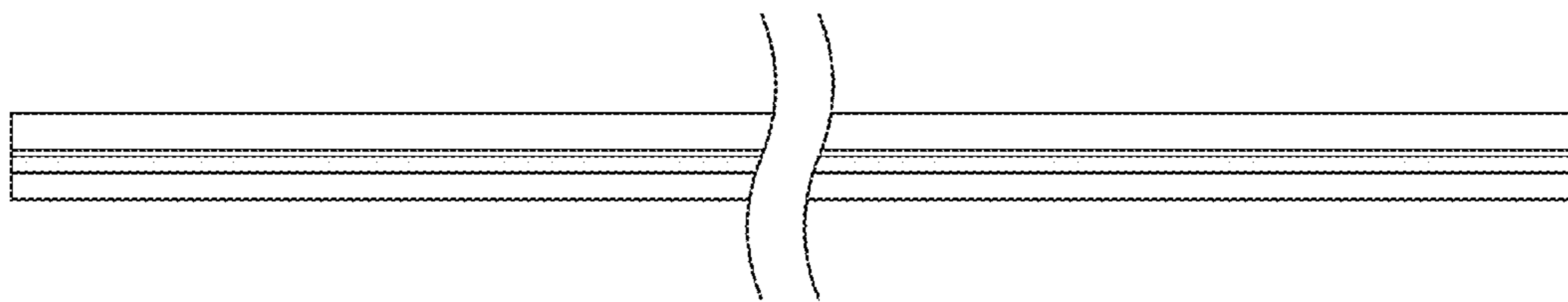


FIG. 21