



US00D701432S

(12) **United States Design Patent**
Tsai

(10) **Patent No.:** **US D701,432 S**
(45) **Date of Patent:** **** Mar. 25, 2014**

- (54) **TRIPLE TIER DRAWER**
- (71) Applicant: **Dongguan Master United Plastic & Hardware Products Co., Ltd.,**
Dongguan (CN)
- (72) Inventor: **Tsung-Yu Tsai, Changhua (TW)**
- (73) Assignee: **Dongguan Master United Plastic & Hardware Products Co., Ltd.,**
Dongguan, Guandong Province (CN)
- (**) Term: **14 Years**
- (21) Appl. No.: **29/445,272**
- (22) Filed: **Feb. 8, 2013**
- (51) **LOC (10) Cl.** **07-06**
- (52) **U.S. Cl.**
USPC **D7/600.4**
- (58) **Field of Classification Search**
USPC D7/600, 600.1–600.4, 392, 397, 589,
D7/590, 596, 597, 601, 602, 609, 610, 612,
D7/614, 615, 620–623, 628–632, 637–641,
D7/701–708, 708.1, 709, 710;
D3/304–315, 317, 319, 302; D6/559,
D6/560, 566, 567, 570, 571, 573, 574, 512,
D6/705, 705.1, 705.2, 705.3, 705.4, 705.5,
D6/705.6, 705.7, 706, 707, 707.1, 707.19,
D6/707.15, 627, 628, 629, 631, 654,
D6/654.11, 654.12, 654.13, 654.14,
D6/654.15, 654.18, 654.19, 654.2, 654.22,
D6/654.21, 655, 655.11, 655.12, 655.13,
D6/655.14, 655.15, 655.17, 655.18,
D6/655.19, 655.2, 655.22, 655.23, 691.9,
D6/692.4, 692.5, 693.1, 693.2, 657;
D19/75, 77, 78, 83, 86, 92; 206/511,
206/557, 560, 510, 513, 503; 211/1, 10,
211/13.1, 69.1, 69.5, 70, 70.1, 70.6, 74, 77,
211/78, 85.1, 85.2, 85.4, 85.5, 85.31, 126.9,
211/126.11, 126.15, 129.1, 131.1, 133.2,
211/133.4, 134, 133.5, 133.6, 181.1, 182;
312/323, 330.1, 334.1, 334.27, 408,
312/410, 334.44; 220/485

See application file for complete search history.

(56) **References Cited**

U.S. PATENT DOCUMENTS

2,988,412	A *	6/1961	Vannice	312/111
3,133,771	A *	5/1964	Dorman	312/107
3,244,288	A *	4/1966	Schreter	211/74
D628,444	S *	12/2010	Snider	D7/600.1
D643,686	S *	8/2011	Tiemann	D7/600.4
D644,069	S *	8/2011	Tiemann	D7/600.4
D660,652	S *	5/2012	Tiemann	D7/600.1
D661,951	S *	6/2012	Tiemann	D7/600.1
D670,943	S *	11/2012	Hertaus	D6/510
D676,265	S *	2/2013	Tawil	D6/705
D679,954	S *	4/2013	Snider	D7/600.1
D680,381	S *	4/2013	Tsai	D7/600.1
D681,398	S *	5/2013	Tsai	D7/600.1
D684,404	S *	6/2013	Hertaus	D6/705
D688,487	S *	8/2013	Hertaus	D6/705
D691,858	S *	10/2013	Tiemann	D7/600.4

* cited by examiner

Primary Examiner — Ian Simmons

Assistant Examiner — Shannon Morgan

(74) *Attorney, Agent, or Firm* — Muncy, Geissler, Olds & Lowe, P.C.

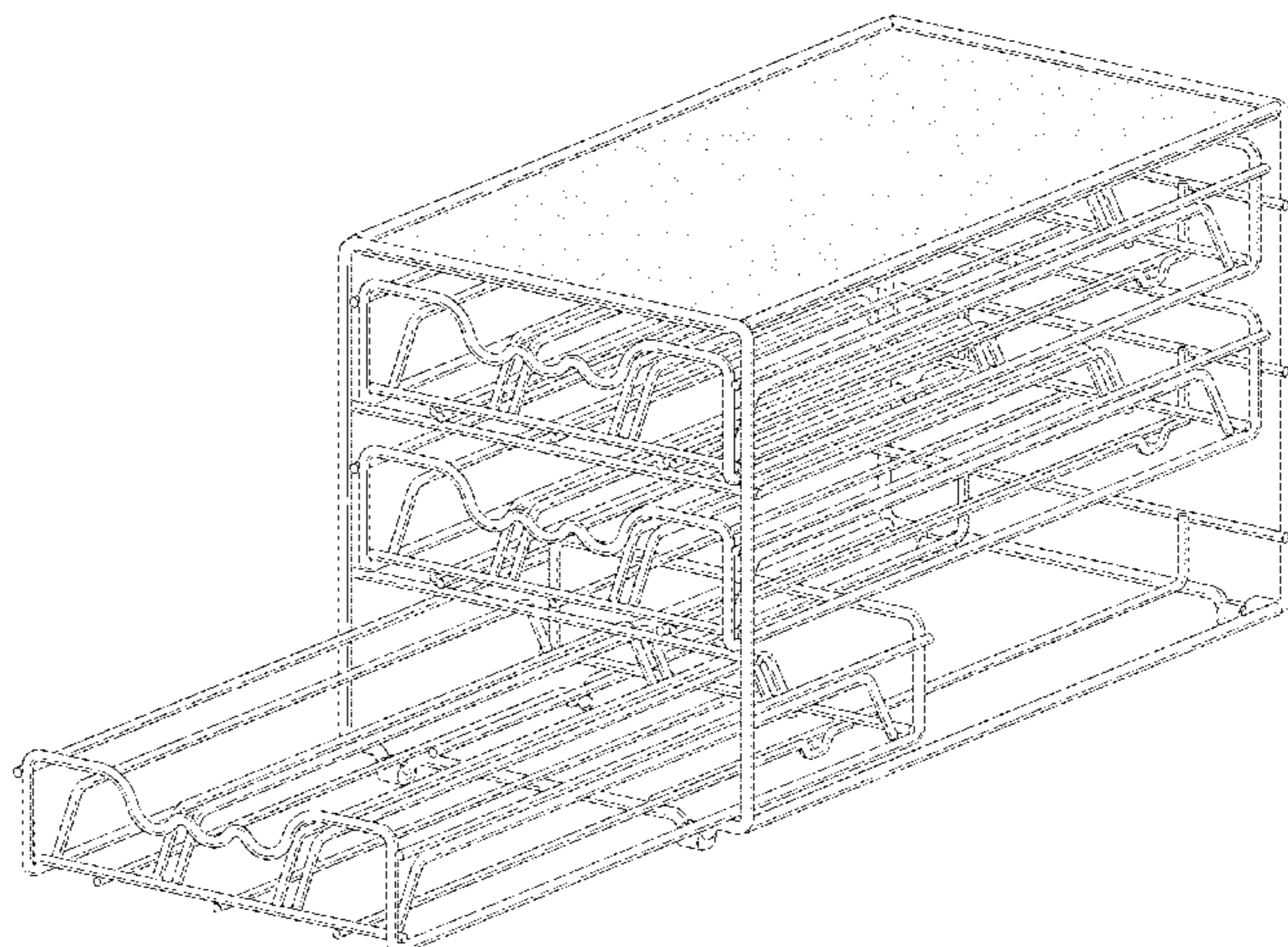
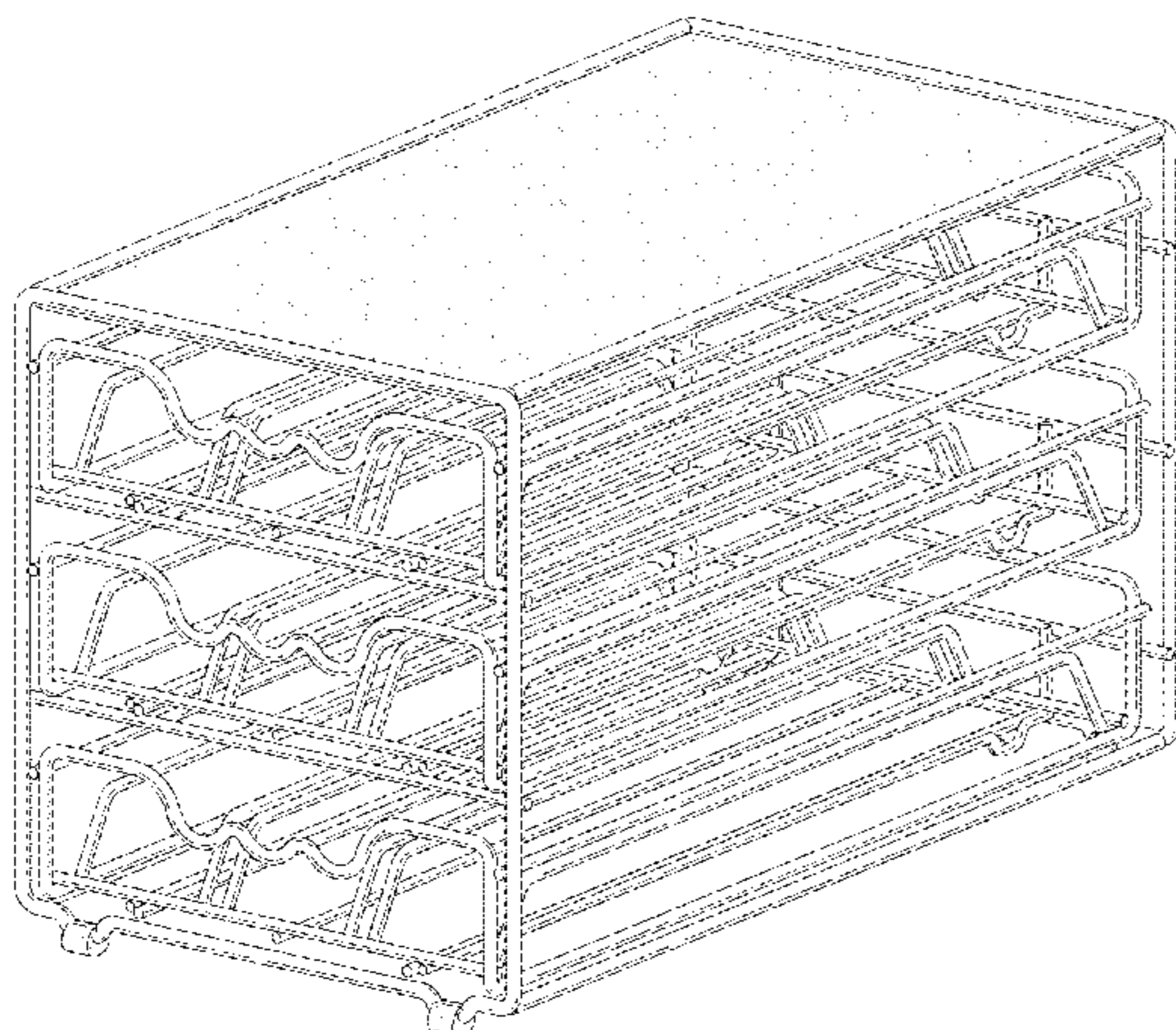
(57) **CLAIM**

The ornamental design for a triple tier drawer, as shown and described.

DESCRIPTION

FIG. 1 is a front, right perspective view of a triple tier drawer showing my new design;
 FIG. 2 is a right side elevational view thereof;
 FIG. 3 is a left side elevational view thereof;
 FIG. 4 is a front elevational view thereof;
 FIG. 5 is a rear elevational view thereof;
 FIG. 6 is a top plan view thereof;
 FIG. 7 is a bottom plan view thereof; and,
 FIG. 8 is a front, right perspective view shown partially open thereof.

1 Claim, 7 Drawing Sheets



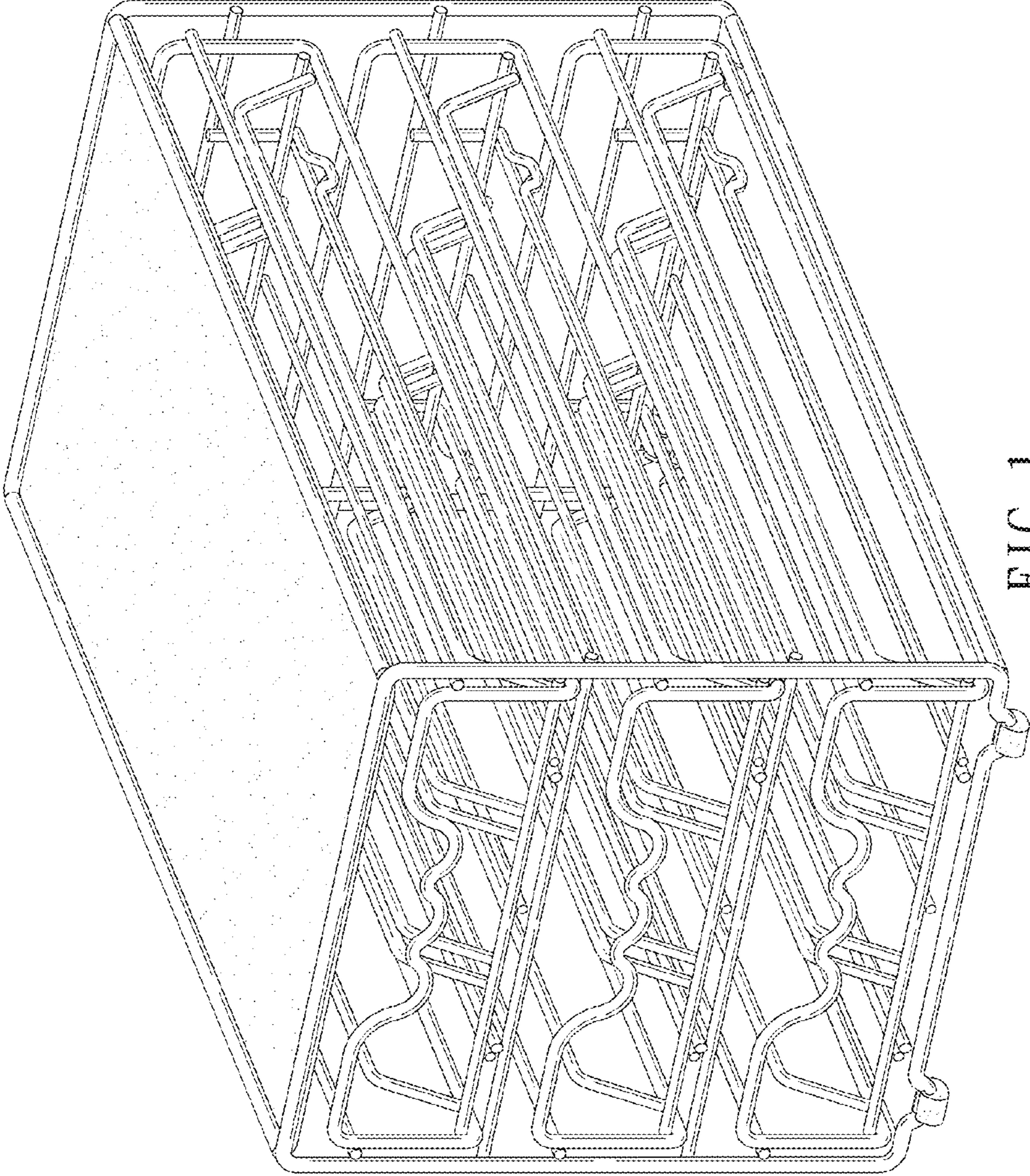


FIG. 1

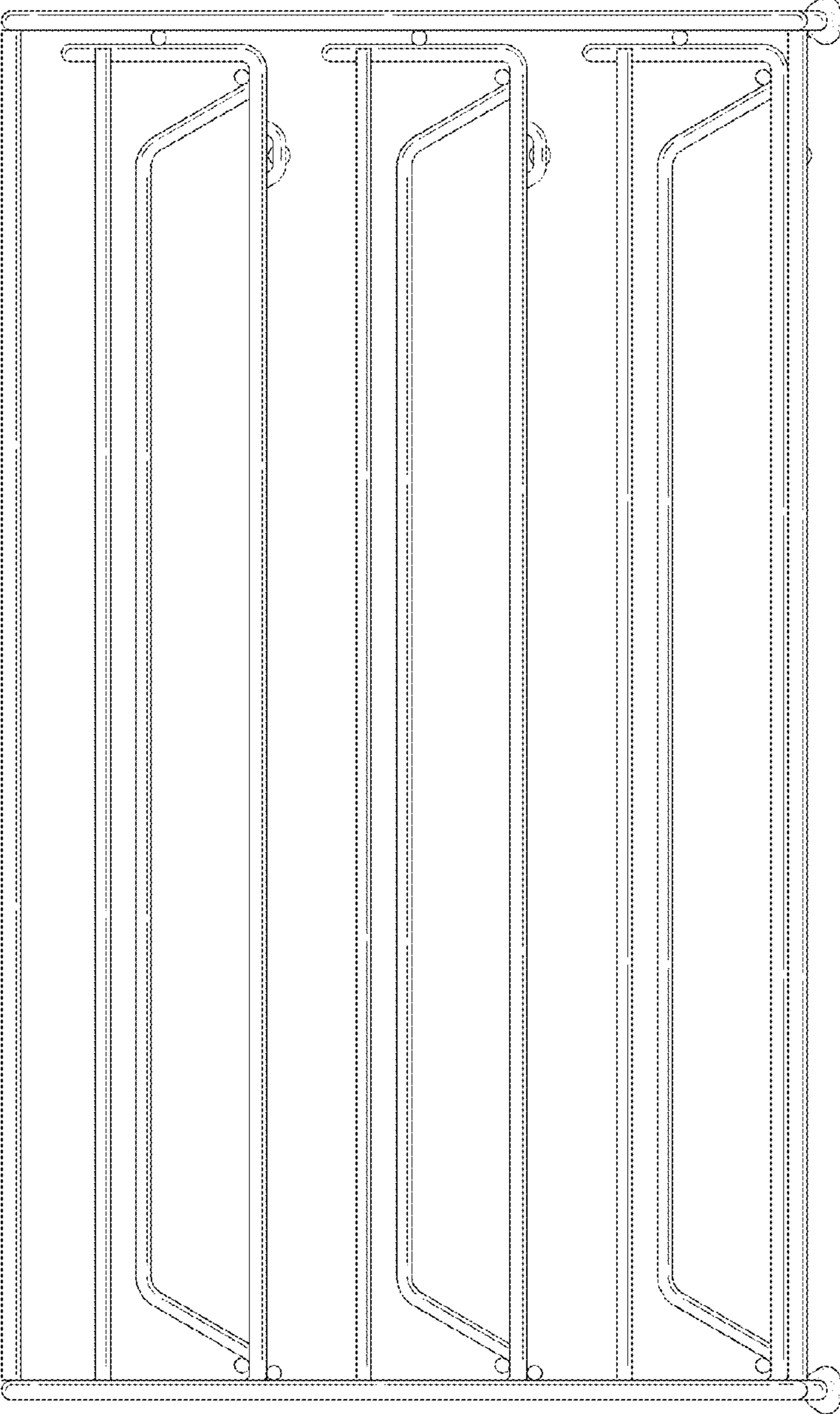


FIG. 2

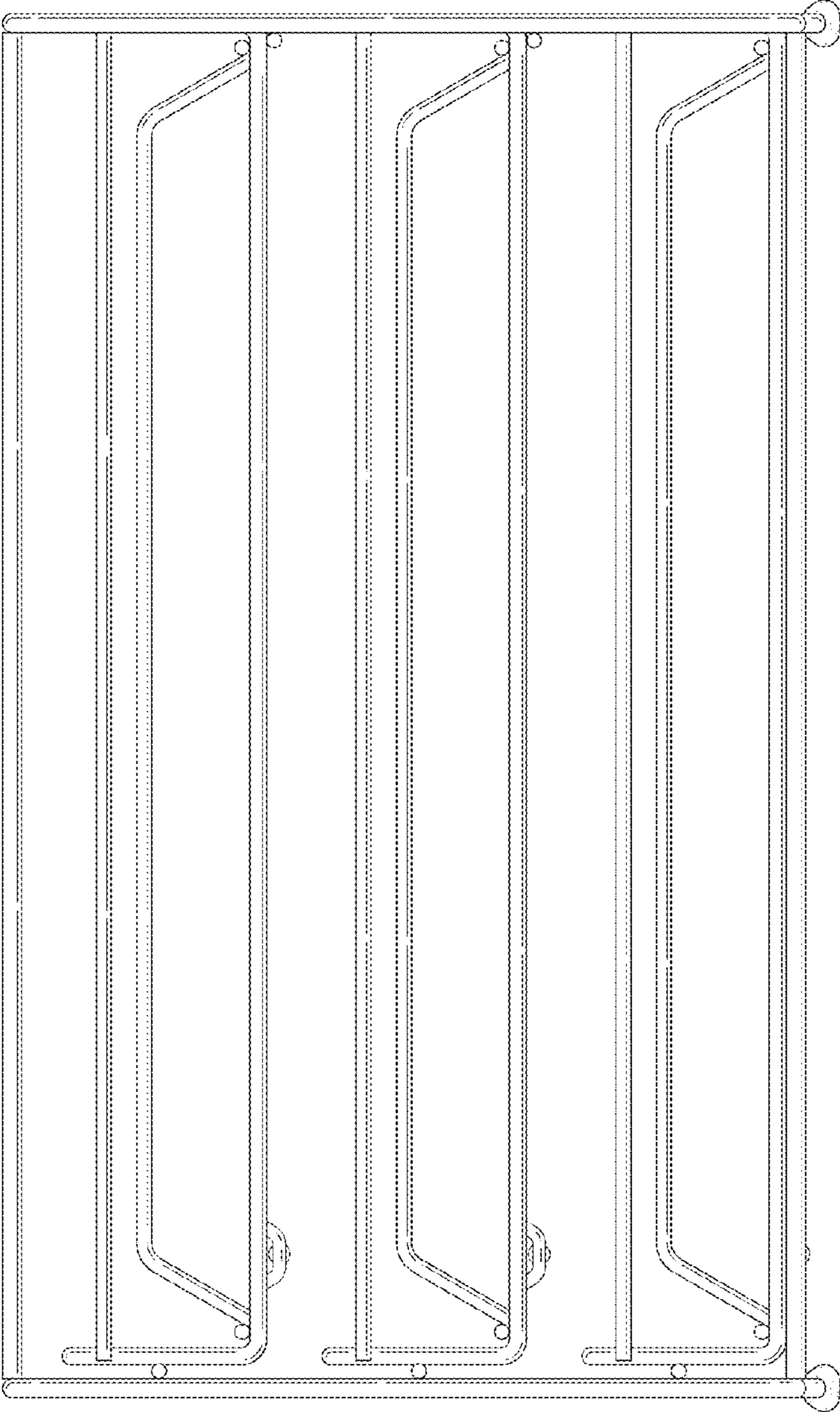


FIG. 3

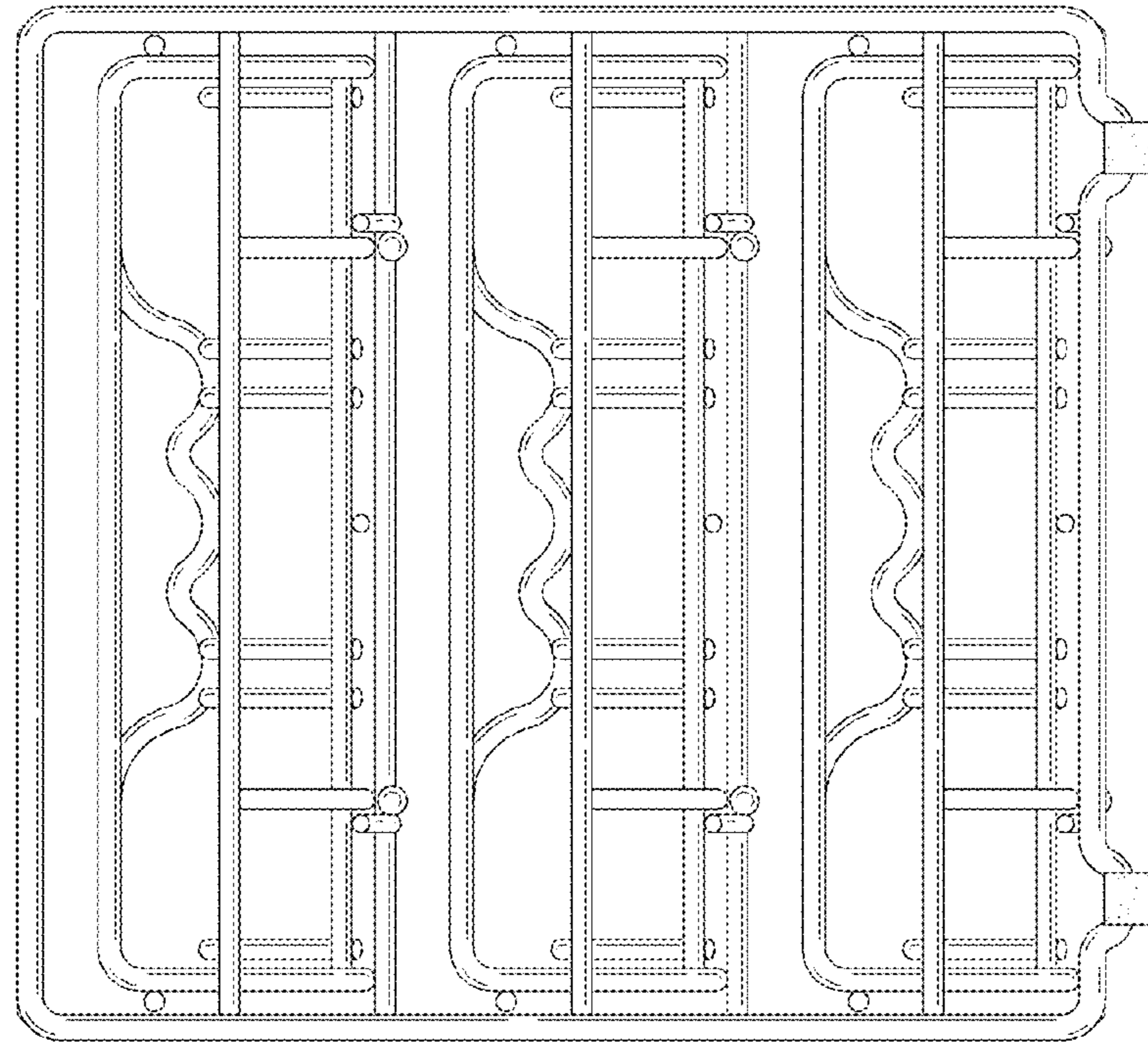


FIG. 5

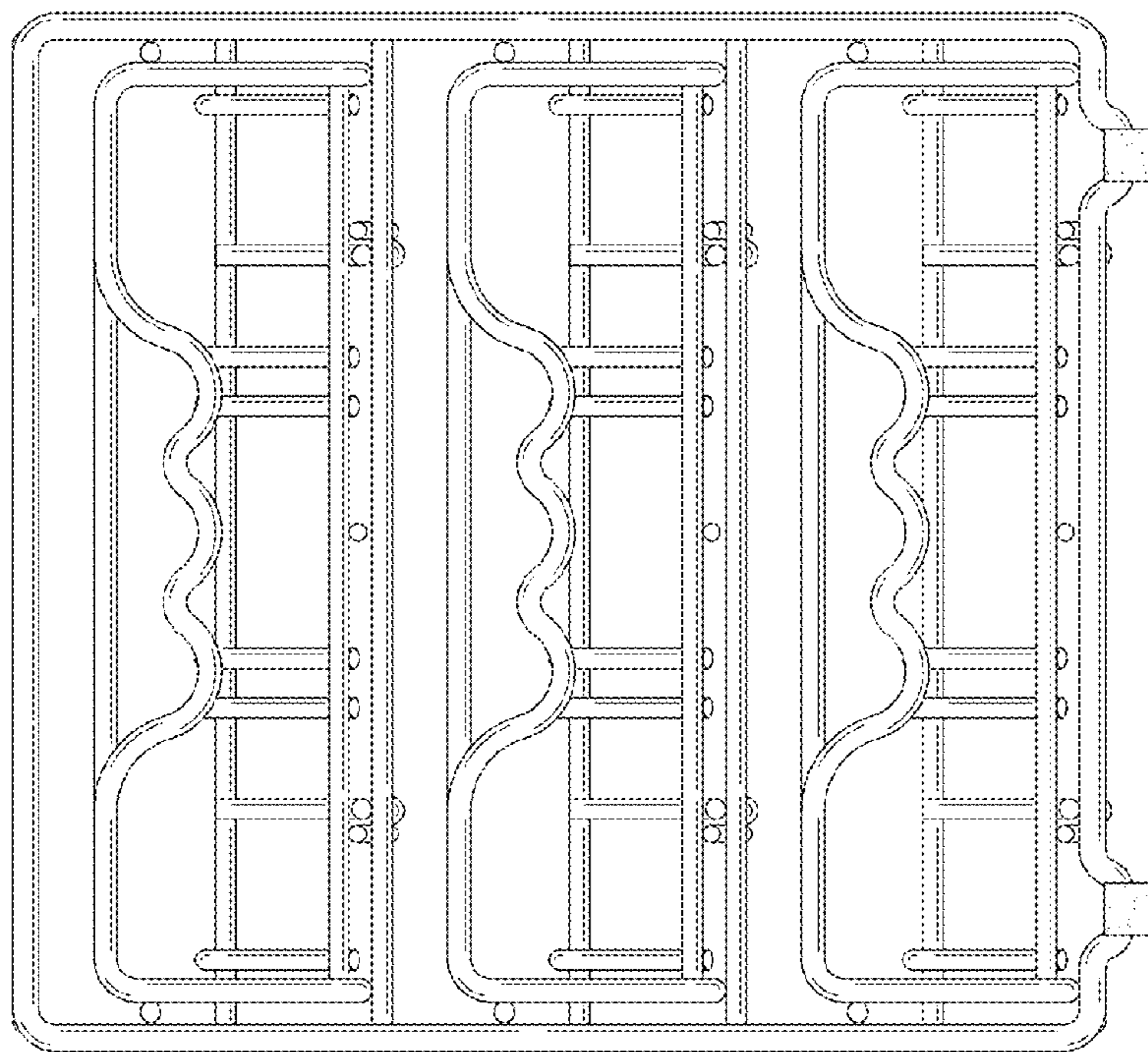


FIG. 4

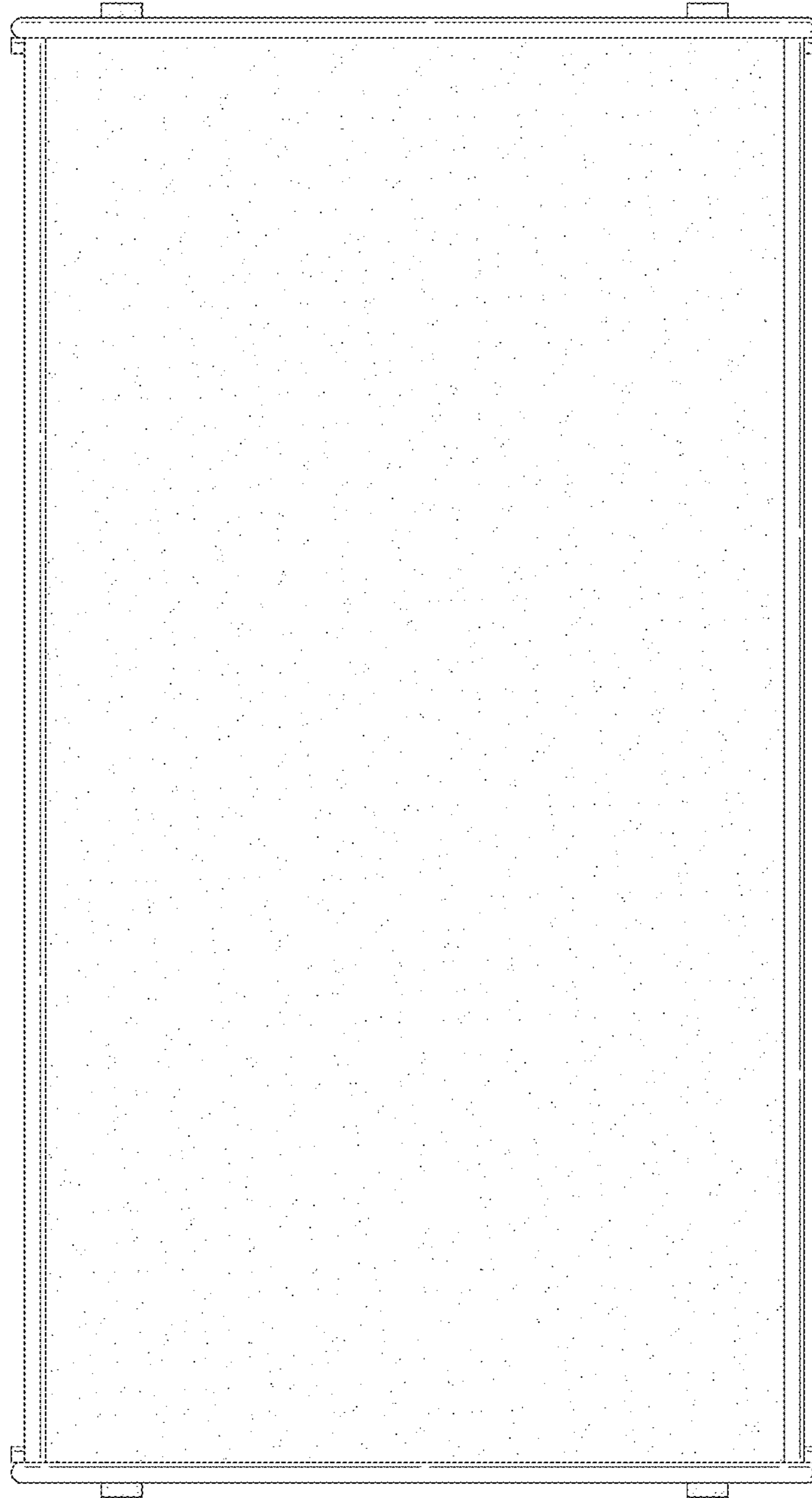


FIG. 6

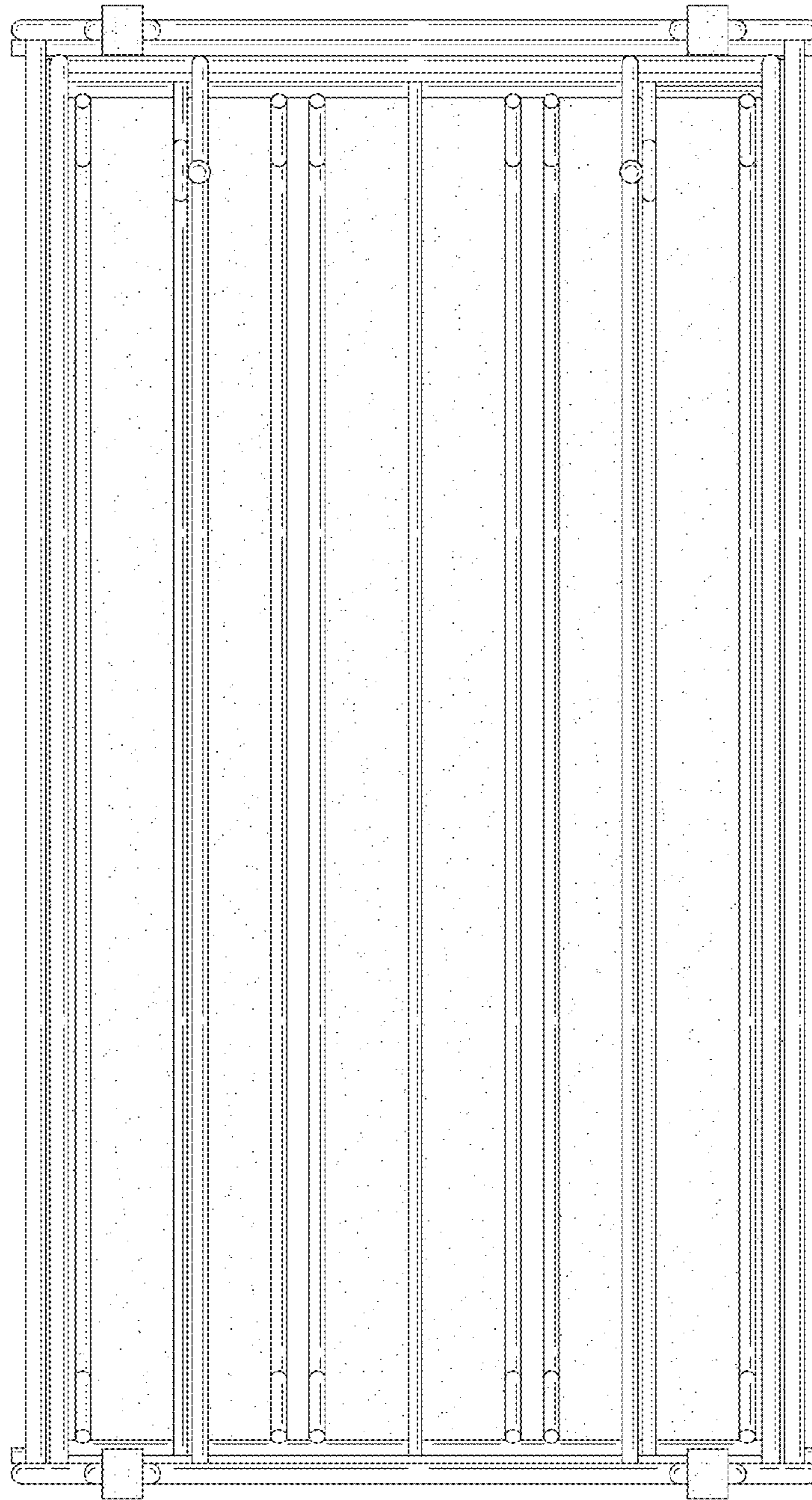


FIG. 7

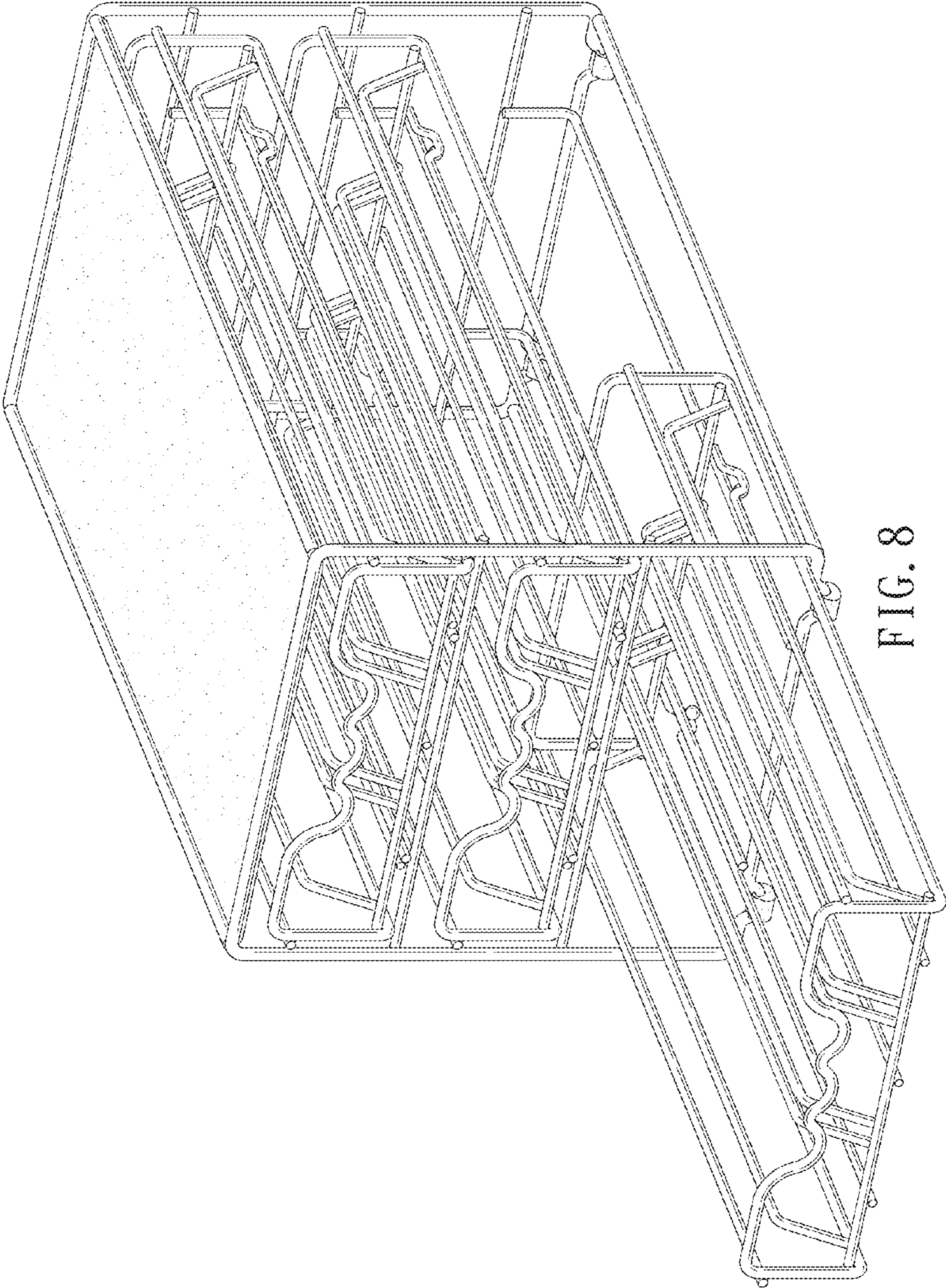


FIG. 8