



US00D701428S

(12) **United States Design Patent**  
**Lapsker**

(10) **Patent No.:** **US D701,428 S**  
(45) **Date of Patent:** **\*\* Mar. 25, 2014**

(54) **BEVERAGEWARE**

D572,083 S \* 7/2008 Tien ..... D7/510  
D590,660 S \* 4/2009 Miller et al. .... D7/510  
D633,745 S \* 3/2011 Ross ..... D7/300.1

(71) Applicant: **Ron Lapsker**, Maple (CA)

\* cited by examiner

(72) Inventor: **Ron Lapsker**, Maple (CA)

*Primary Examiner* — Robert M Spear

(\*\*) Term: **14 Years**

*Assistant Examiner* — Marissa Cash

(21) Appl. No.: **29/436,142**

(74) *Attorney, Agent, or Firm* — Hodgson Russ LLP

(22) Filed: **Nov. 1, 2012**

(57) **CLAIM**

The ornamental design for beverageware, as shown and described.

(51) **LOC (10) Cl.** ..... **07-01**

**DESCRIPTION**

(52) **U.S. Cl.**

USPC ..... **D7/532**

(58) **Field of Classification Search**

USPC ..... D3/202; D7/213, 305, 392.1, 396.2,  
D7/505, 507, 509, 510, 511, 522, 523, 528,  
D7/532, 533, 536, 537; 220/703, 705, 710,  
220/713

FIG. 1 is a front perspective view of the beverageware showing my new design;

FIG. 2 is a front view thereof;

FIG. 3 is a right side view thereof;

FIG. 4 is a rear view thereof

FIG. 5 is a top view thereof;

FIG. 6 is a bottom view thereof; and,

FIG. 7 is a top view thereof with the lid of the beverageware removed.

See application file for complete search history.

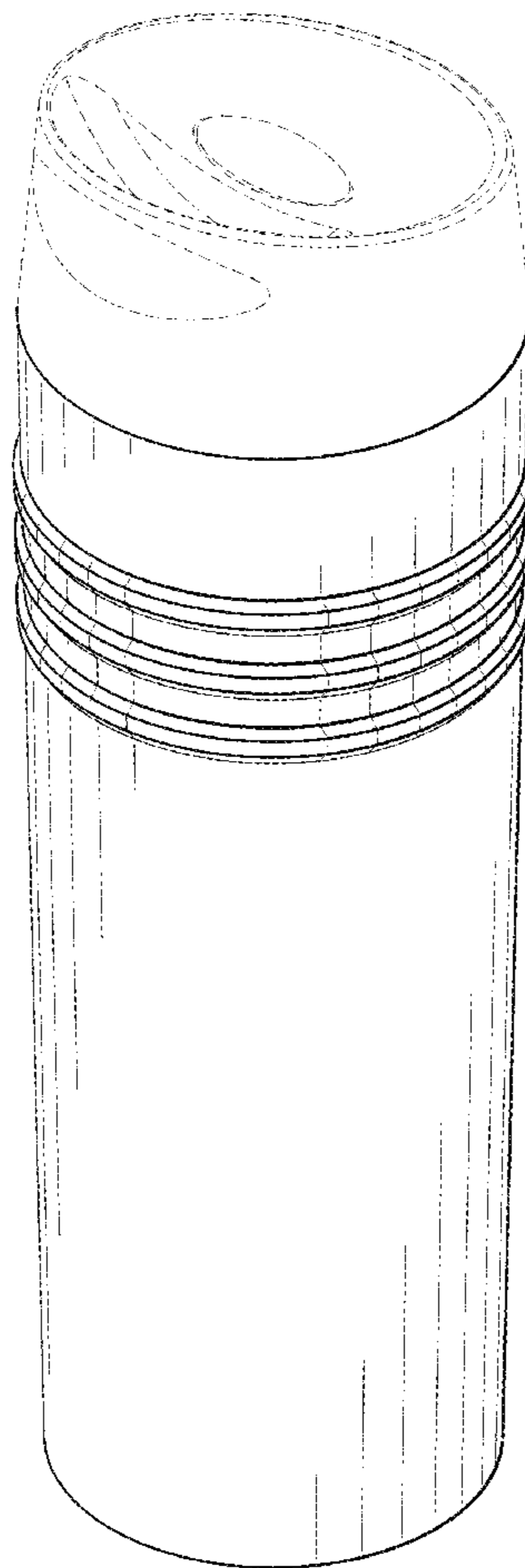
The broken lines illustrate portions of the beverageware and form no part of the claimed design.

(56) **References Cited**

**U.S. PATENT DOCUMENTS**

D489,627 S \* 5/2004 Klitsner et al. .... D9/502  
D571,152 S \* 6/2008 Tien ..... D7/510

**1 Claim, 5 Drawing Sheets**



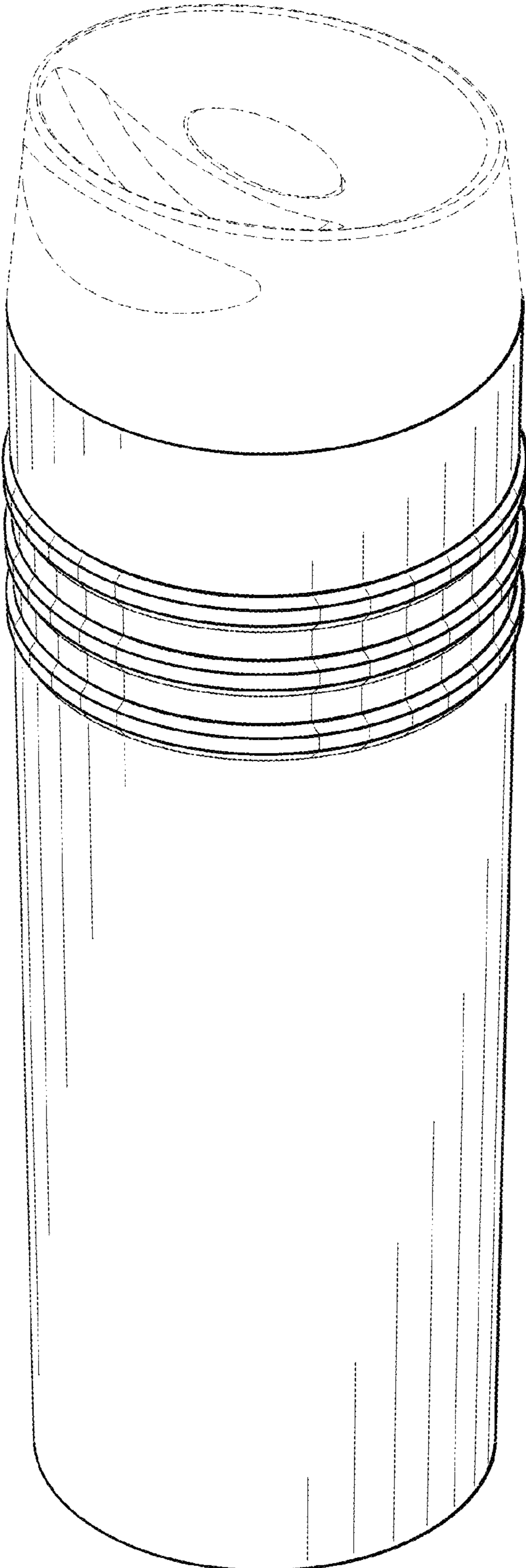


FIG. 1

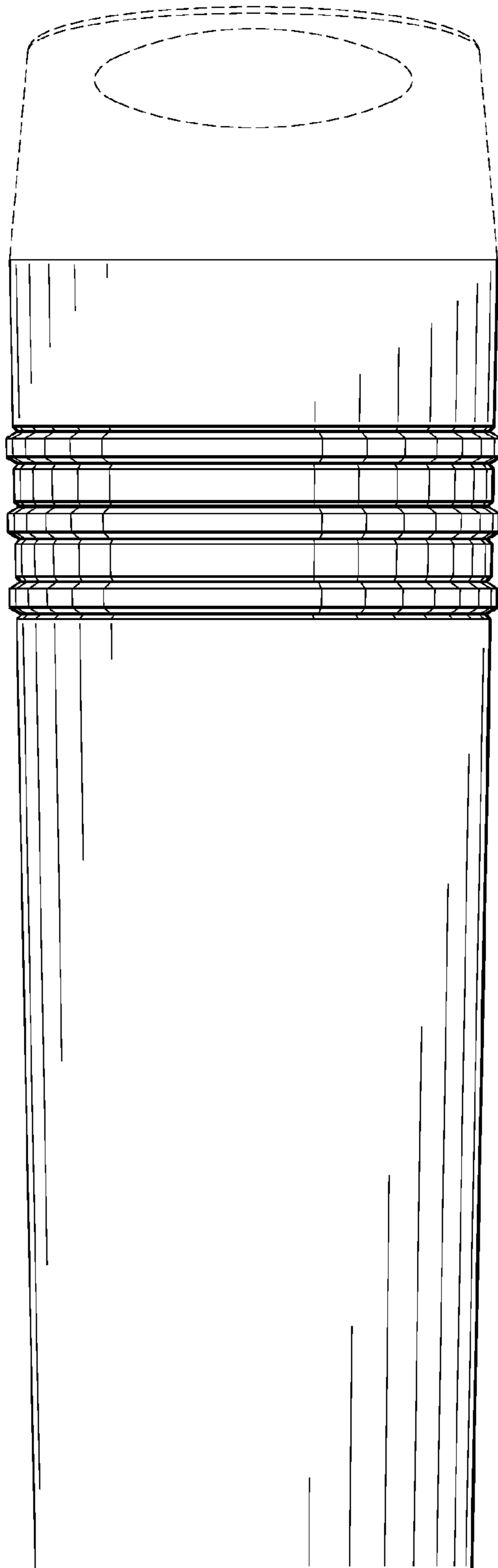


FIG. 2

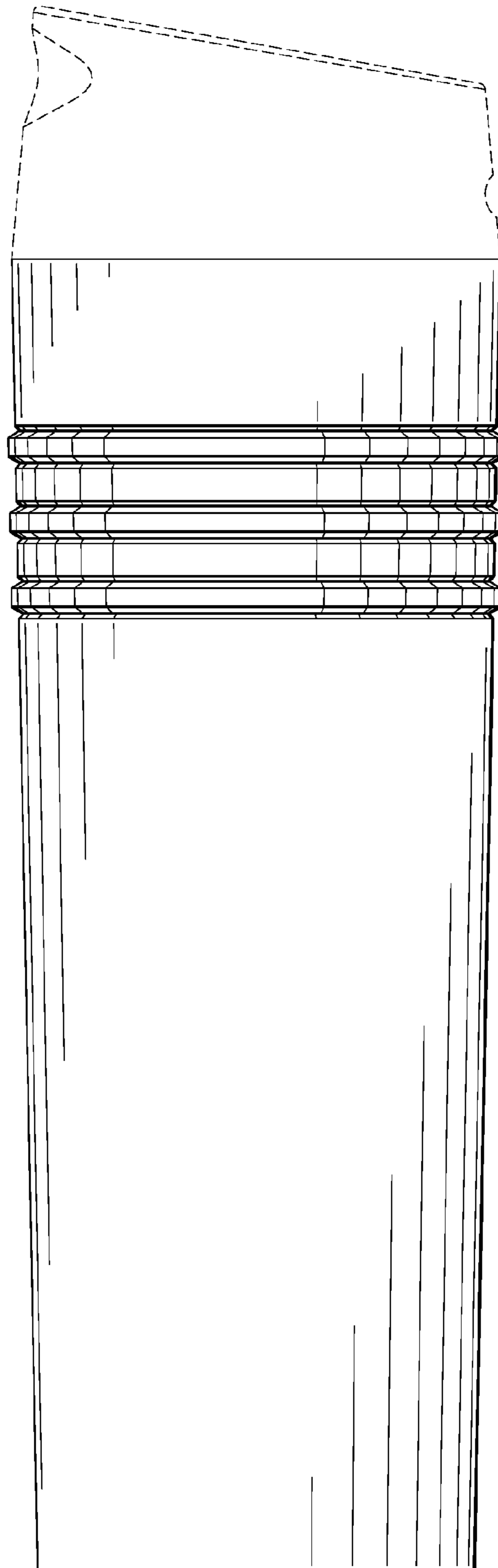


FIG. 3

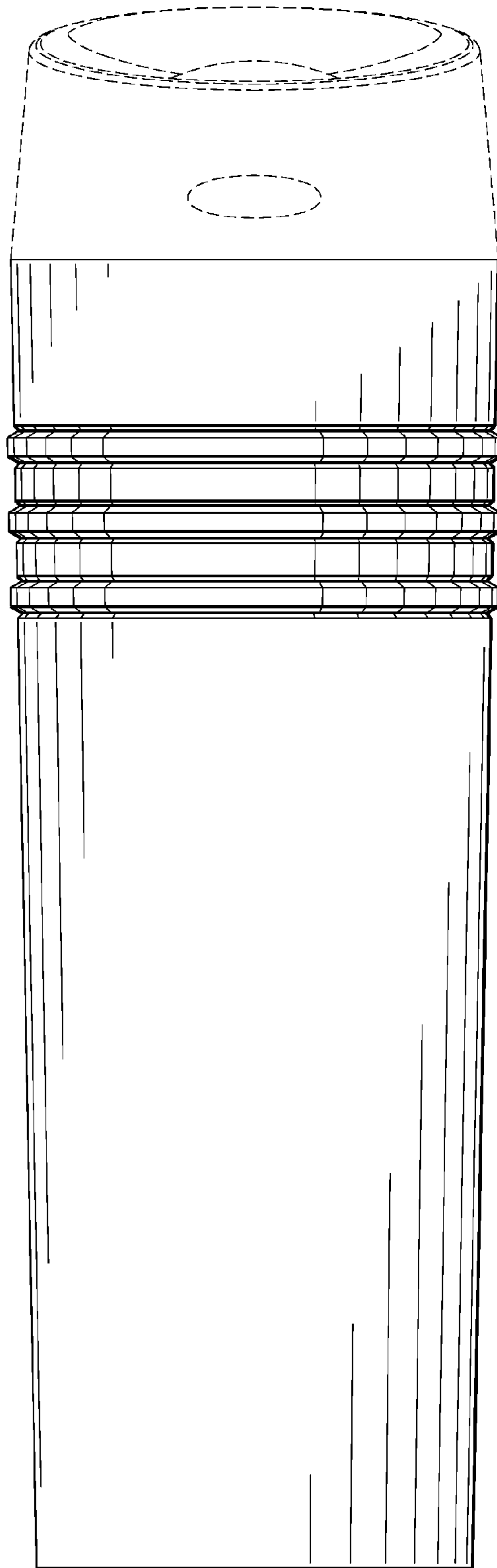


FIG. 4

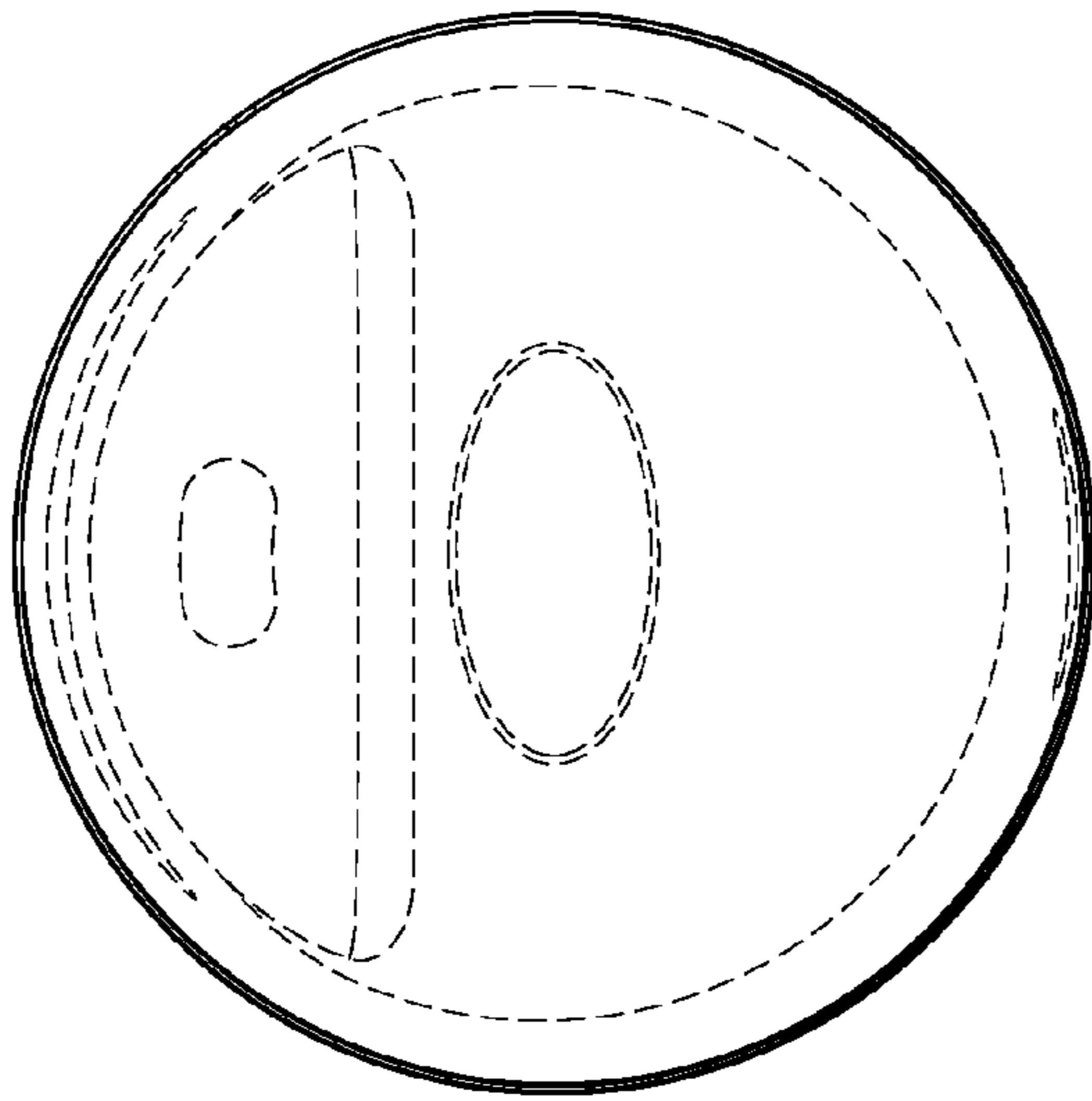


FIG. 5

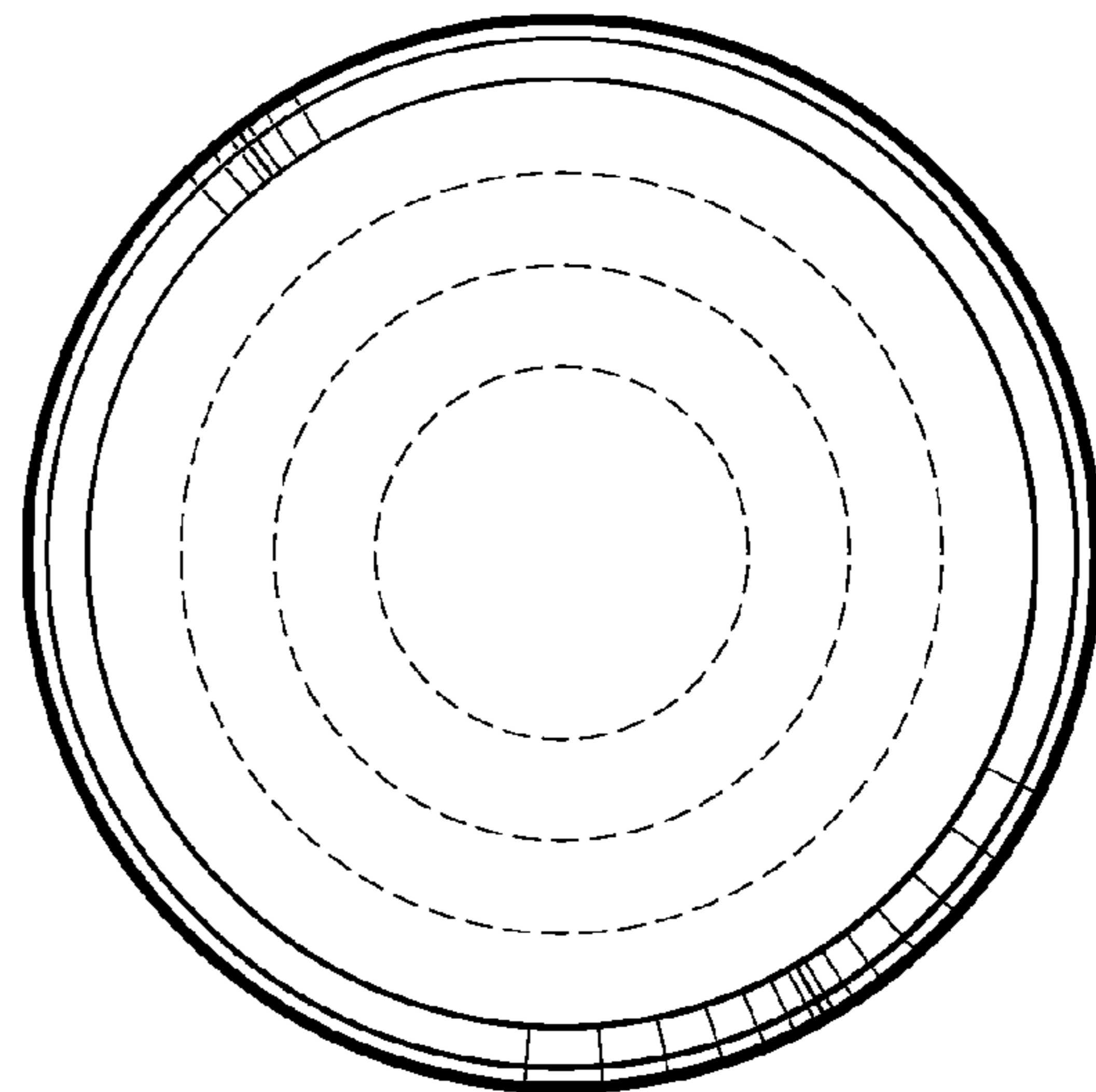


FIG. 6

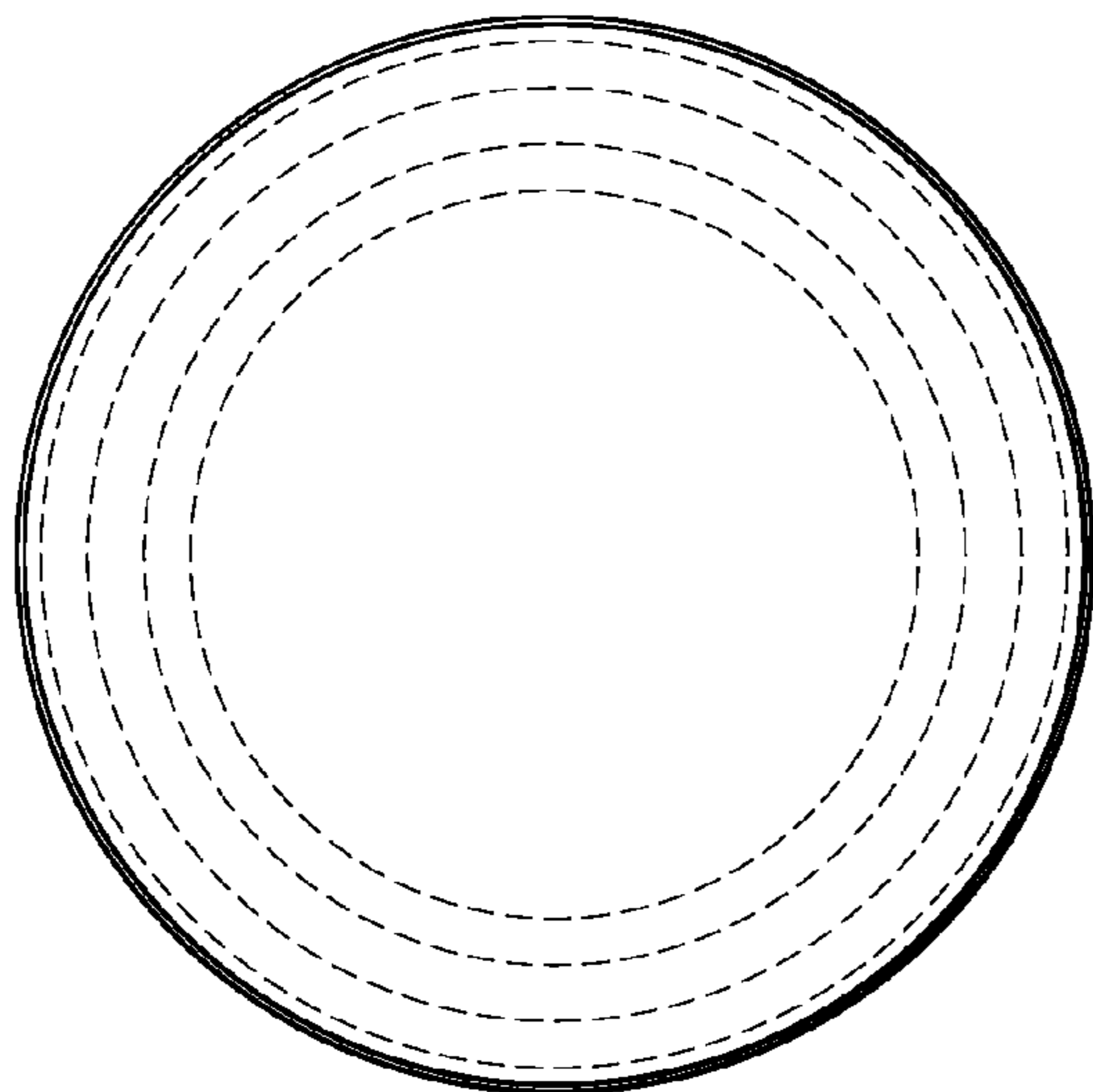


FIG. 7