



US00D701426S

(12) **United States Design Patent**
Cornish

(10) **Patent No.:** **US D701,426 S**
(45) **Date of Patent:** **** Mar. 25, 2014**

(54) **DRINKING VESSEL**

(71) Applicant: **Ralph Cornish**, Quinlan, TX (US)

(72) Inventor: **Ralph Cornish**, Quinlan, TX (US)

(**) Term: **14 Years**

(21) Appl. No.: **29/443,013**

(22) Filed: **Jan. 11, 2013**

(51) **LOC (10) Cl.** **07-01**

(52) **U.S. Cl.**
USPC **D7/523; D7/532**

(58) **Field of Classification Search**
USPC D7/524, 528, 537, 558, 503, 523, 509,
D7/532, 510, 511, 529, 624.2, 619.1;
362/101; 215/6, 377; 220/703, 592.16,
220/592.17; D6/534

See application file for complete search history.

(56) **References Cited**

U.S. PATENT DOCUMENTS

D322,753 S * 12/1991 Sussman D9/504
D327,093 S * 6/1992 Evenson D19/85

D556,509 S * 12/2007 Bonini D7/507
D615,818 S * 5/2010 Jansen D7/515
D617,608 S * 6/2010 Yang et al. D7/523
D652,257 S * 1/2012 Kraemer D7/523

* cited by examiner

Primary Examiner — Marianne Pandozzi

(74) *Attorney, Agent, or Firm* — Schultz & Associates, P.C.

(57) **CLAIM**

The ornamental design for a drinking vessel, as shown and described.

DESCRIPTION

FIG. 1 is a perspective view of a drinking vessel showing my new design;

FIG. 2 is a side view thereof;

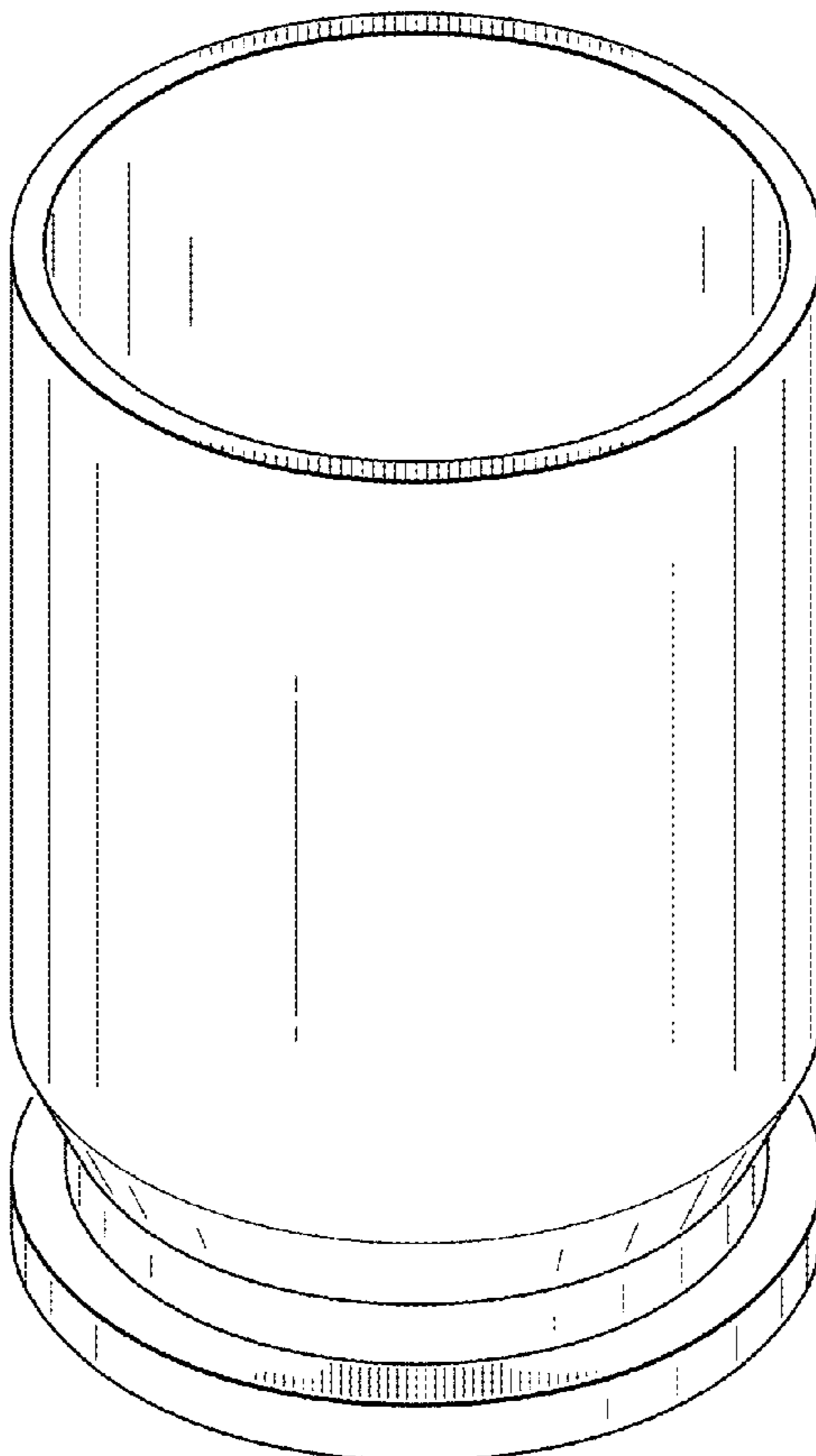
FIG. 3 is a top plan view thereof;

FIG. 4 is a bottom plan view thereof; and,

FIG. 5 is a bottom perspective view thereof.

Any broken lines shown represent unclaimed subject matter and form no part of the claimed design.

1 Claim, 3 Drawing Sheets



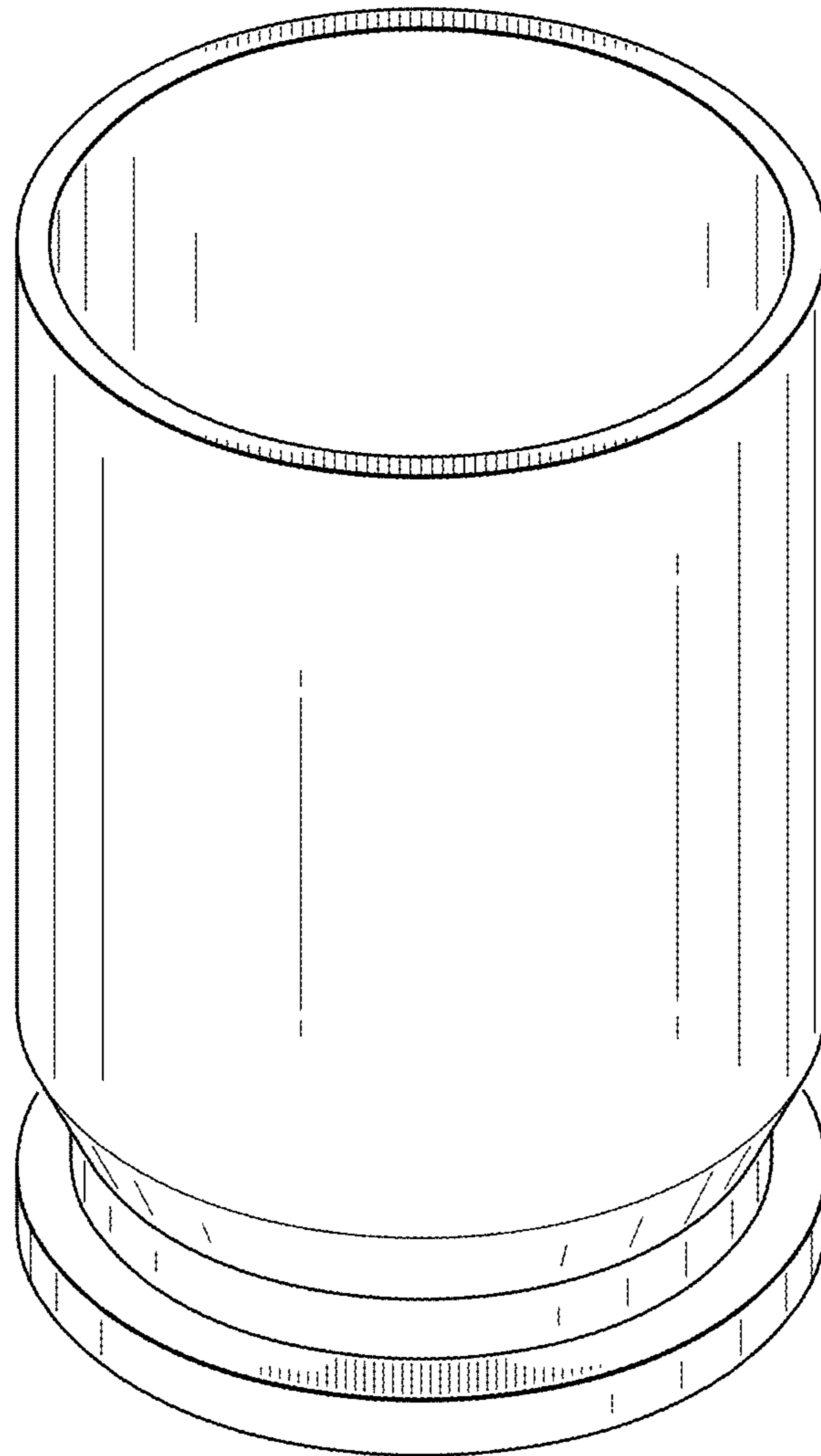


FIG. 1

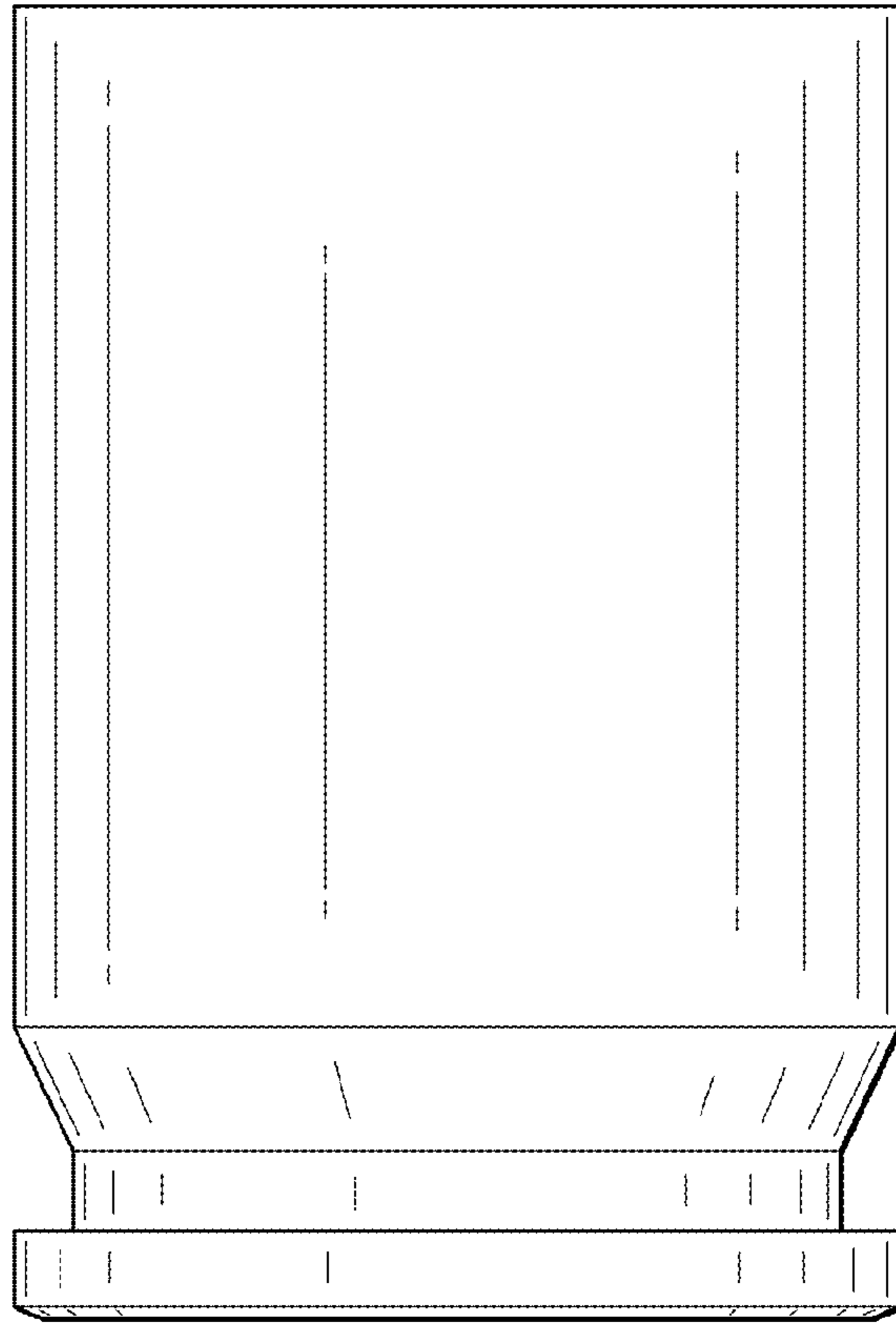


FIG. 2

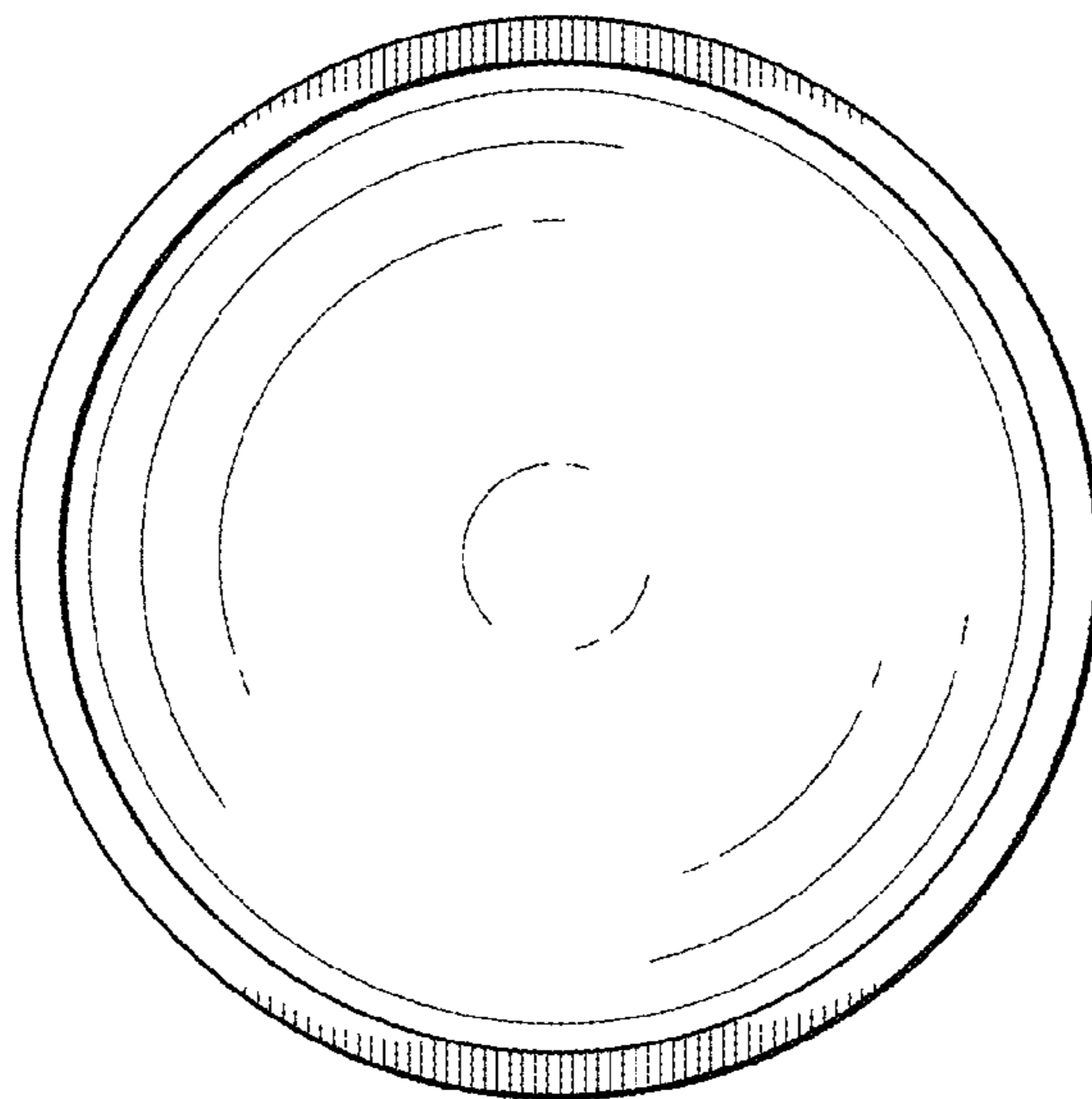


FIG. 3

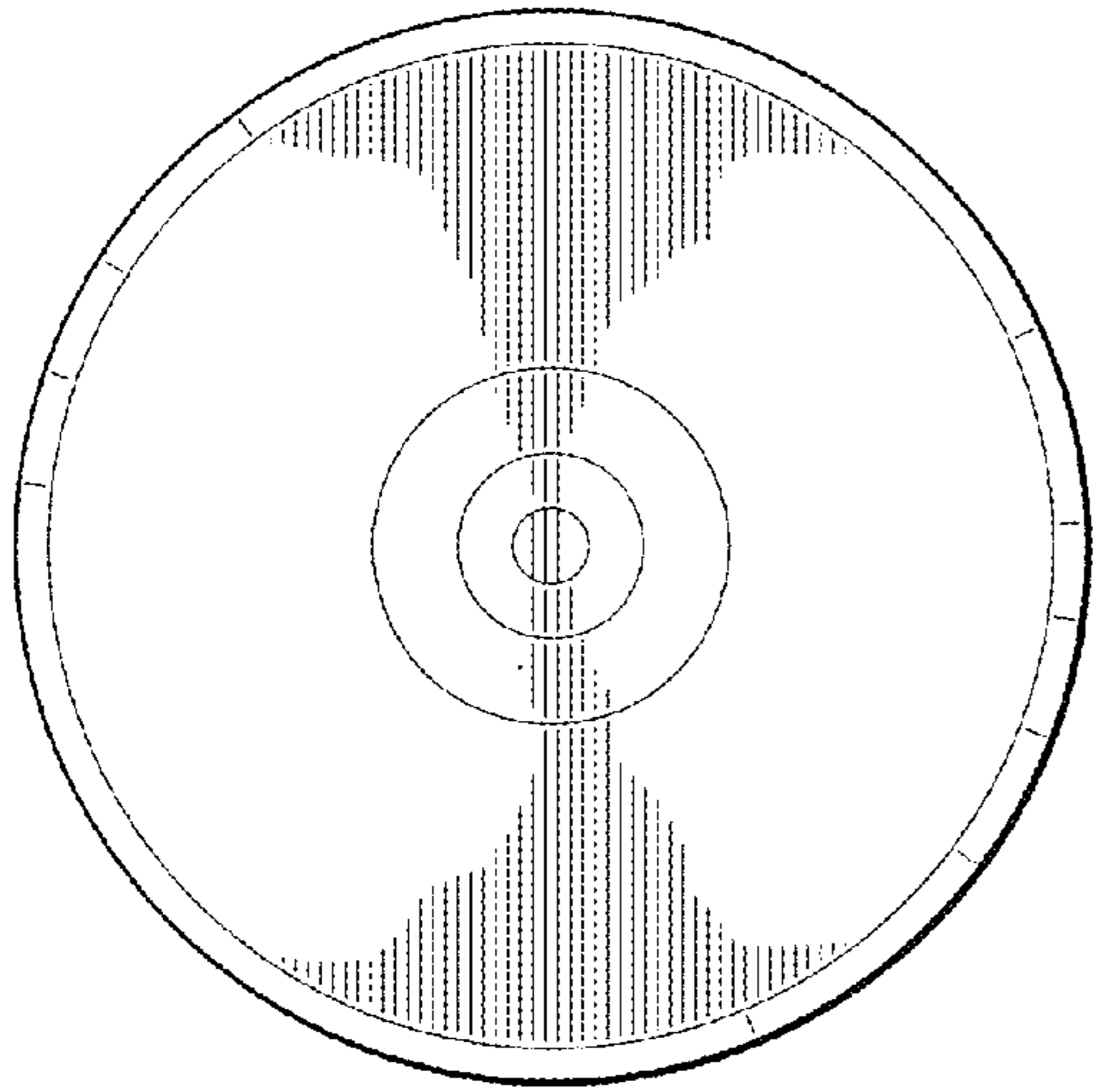


FIG. 4

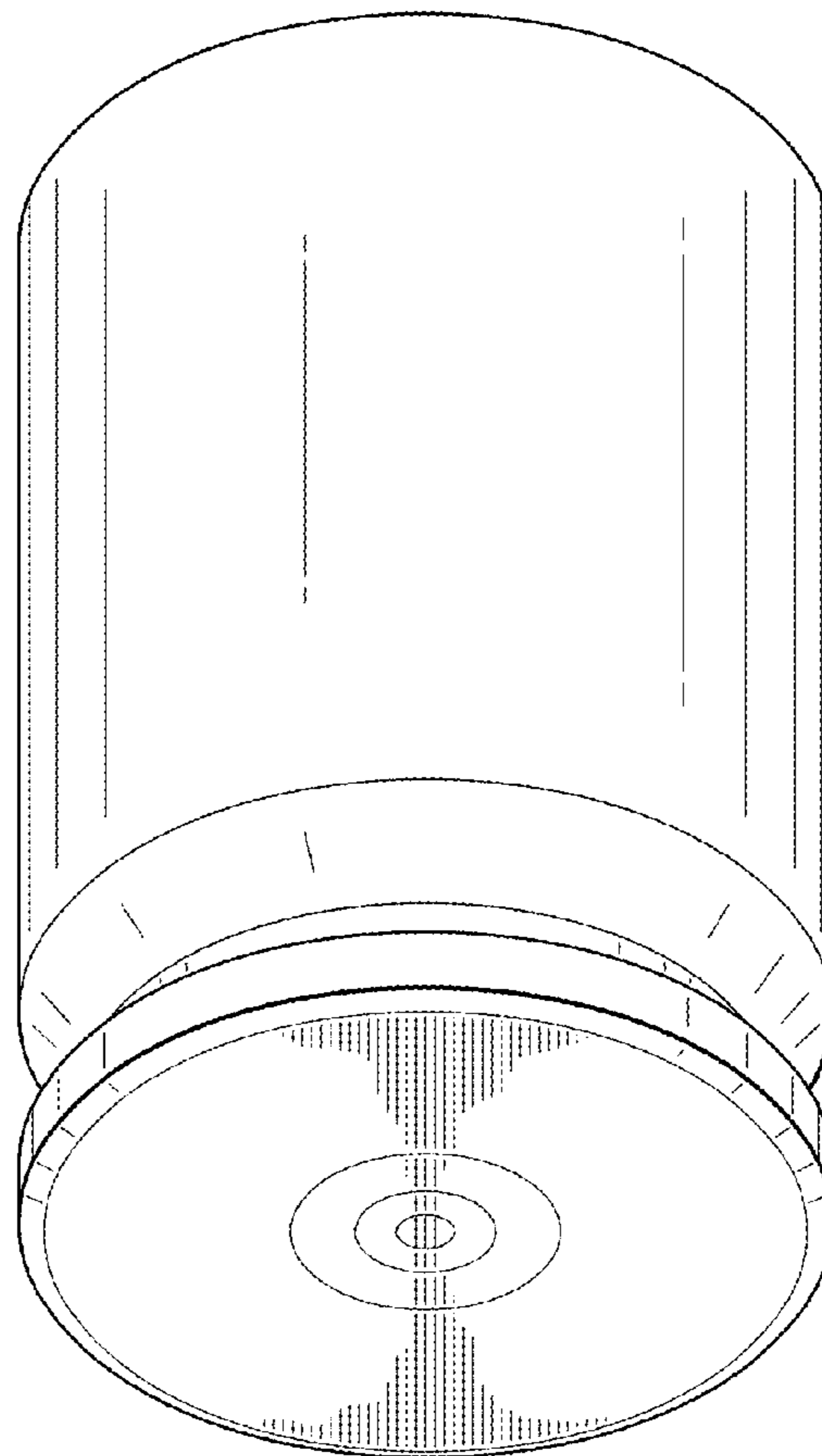


FIG. 5