



US00D701425S

(12) **United States Design Patent**
Pearson

(10) **Patent No.:** **US D701,425 S**
(45) **Date of Patent:** **** Mar. 25, 2014**

(54) **MUG**

(71) Applicant: **Arthur Scott Pearson**, Upland, CA
(US)

(72) Inventor: **Arthur Scott Pearson**, Upland, CA
(US)

(**) Term: **14 Years**

(21) Appl. No.: **29/441,123**

(22) Filed: **Dec. 31, 2012**

(51) **LOC (10) Cl.** **07-01**

(52) **U.S. Cl.**
USPC **D7/510**

(58) **Field of Classification Search**
USPC D3/202; D7/213, 305, 392.1, 396.2,
D7/505, 507, 509, 510, 511, 523, 528, 532,
D7/533, 536; D9/447, 453, 454, 500, 780;
220/703, 705, 710, 713
See application file for complete search history.

(56) **References Cited**

U.S. PATENT DOCUMENTS

| | | | | |
|-------------------|---------|------------------|-------|----------|
| D547,605 S * | 7/2007 | Edelstein et al. | | D7/392.1 |
| D552,926 S * | 10/2007 | Yelland | | D7/392.1 |
| D647,760 S * | 11/2011 | Pearson | | D7/510 |
| D648,985 S * | 11/2011 | Chiu et al. | | D7/510 |
| D651,045 S * | 12/2011 | Eyal | | D7/510 |
| D674,241 S * | 1/2013 | Bickert et al. | | D7/510 |
| D688,521 S * | 8/2013 | Lees | | D7/510 |
| D688,523 S * | 8/2013 | Lees | | D7/510 |
| 2007/0029334 A1 * | 2/2007 | Bagley | | 220/705 |

OTHER PUBLICATIONS

Cool Gear by Shopping Blog dated May 31, 2011. found online [Dec. 2, 2013] <http://www.shoppingblog.com/cool-gear-launches-new-line-of-reusable-water-bottles-5311120>.*

* cited by examiner

Primary Examiner — Robert M Spear
Assistant Examiner — Marissa Cash

(74) *Attorney, Agent, or Firm* — Clement Cheng

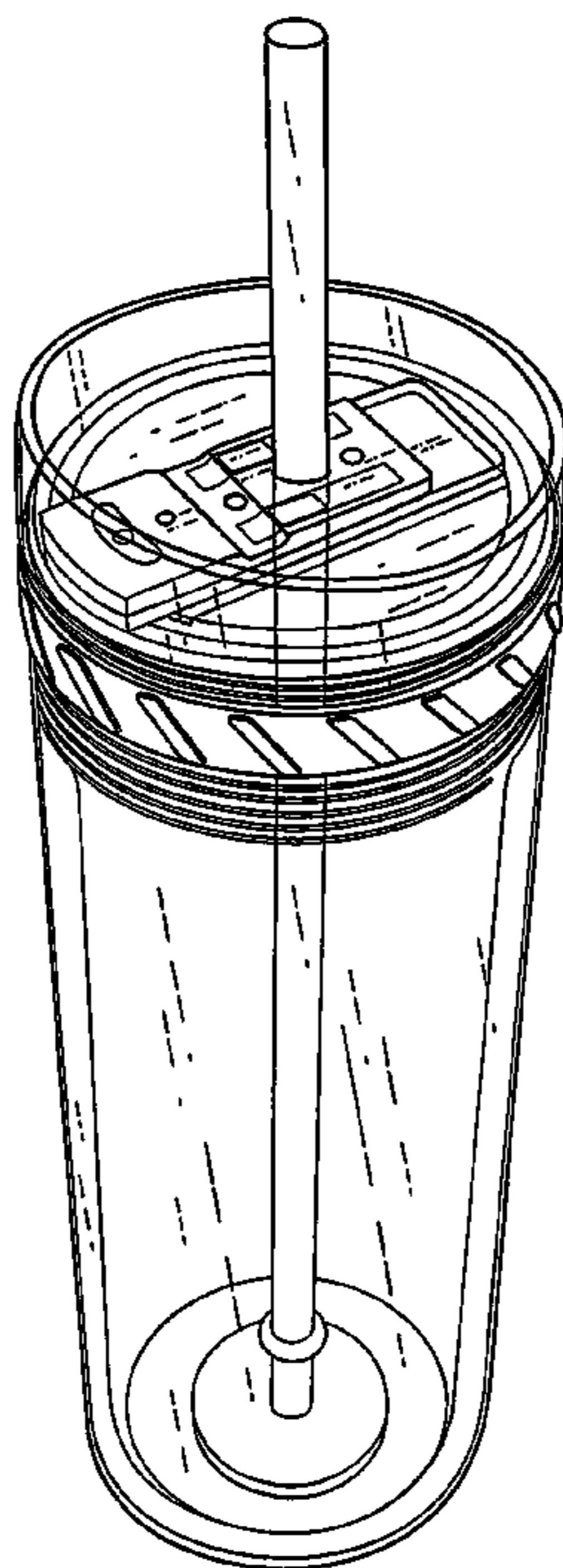
(57) **CLAIM**

I claim the ornamental design for a mug, as shown and described.

DESCRIPTION

FIG. 1 is a perspective view.
FIG. 2 is a front view.
FIG. 3 is a rear side view.
FIG. 4 is a left side view.
FIG. 5 is a right side view.
FIG. 6 is a top view.
FIG. 7 is a bottom view.
FIG. 8 is a perspective view of a second embodiment.
FIG. 9 is a front view of a second embodiment.
FIG. 10 is a rear side view of a second embodiment.
FIG. 11 is a left side view of a second embodiment; and,
FIG. 12 is a right side view of a second embodiment.

1 Claim, 12 Drawing Sheets



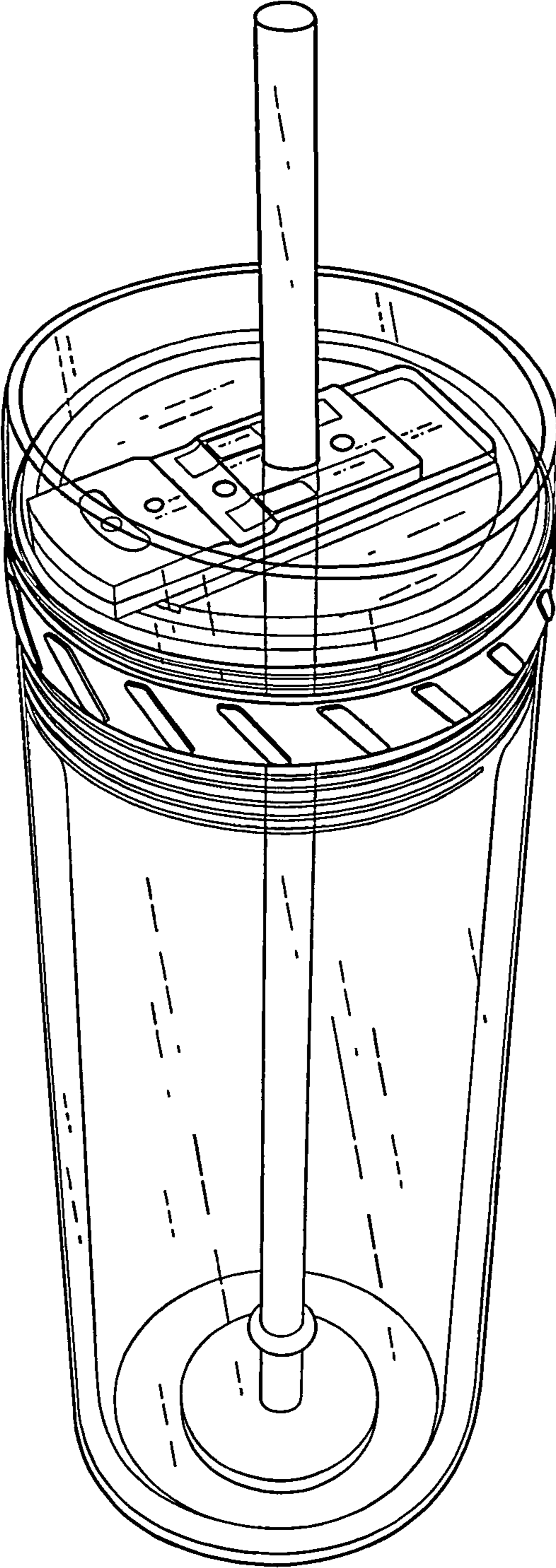


FIG. 1

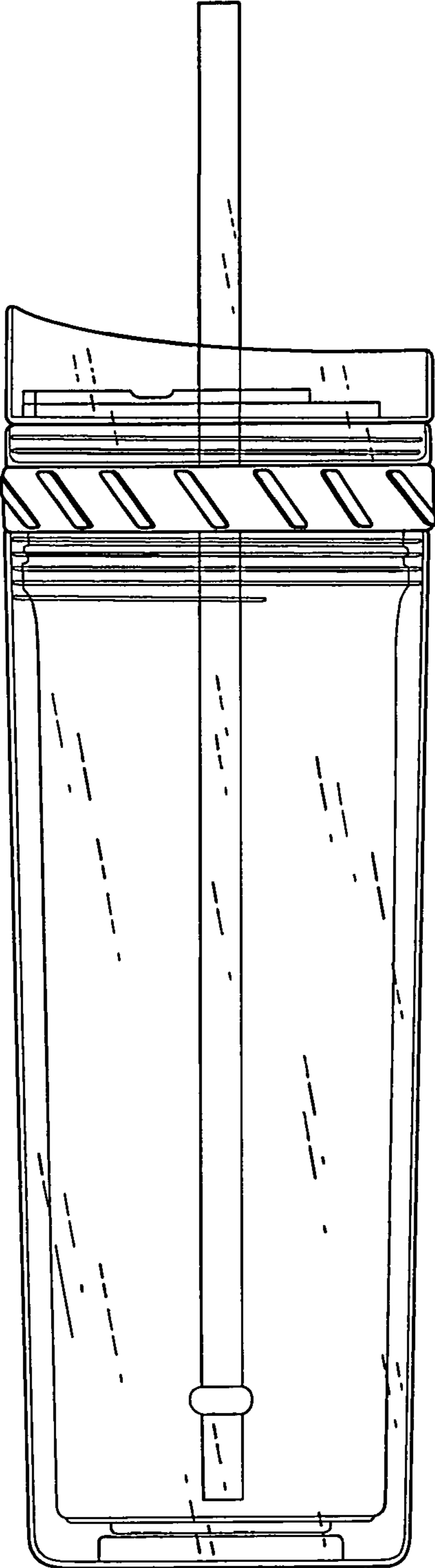


FIG. 2

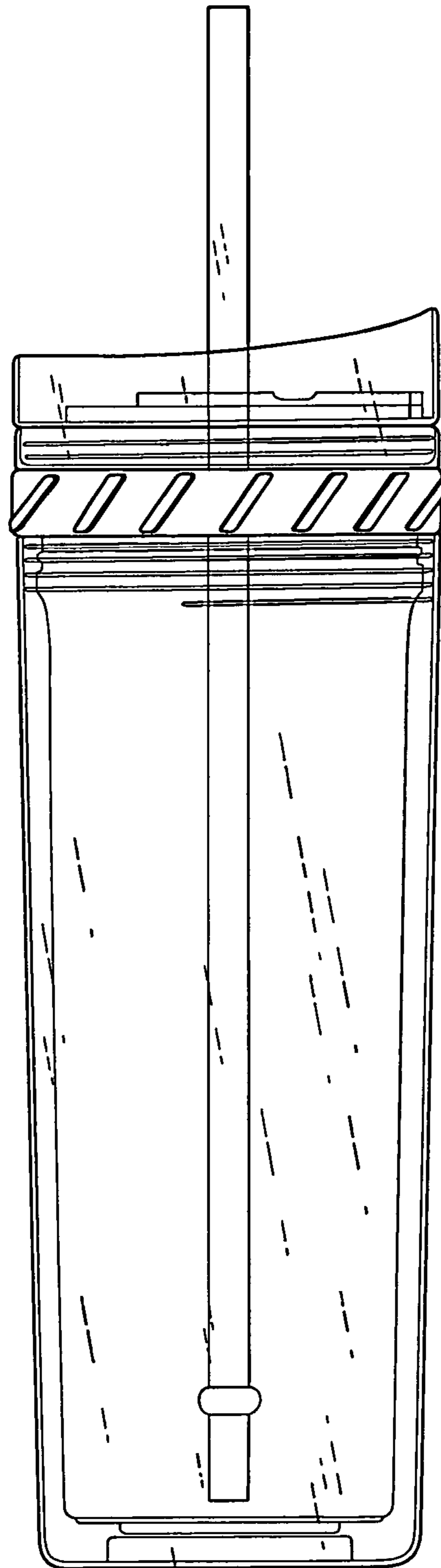


FIG. 3

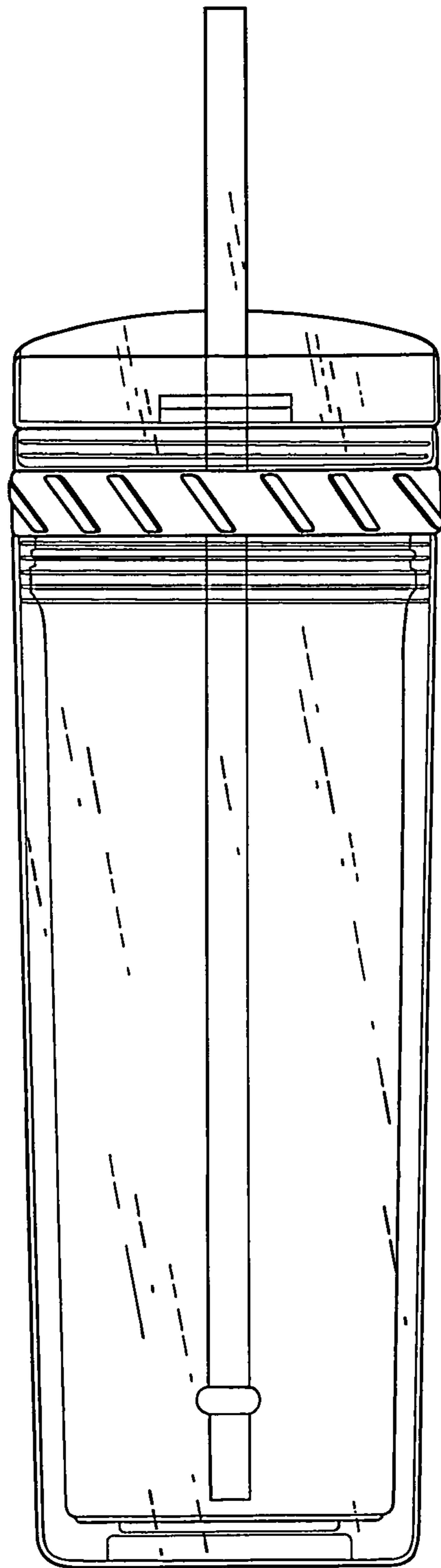


FIG. 4

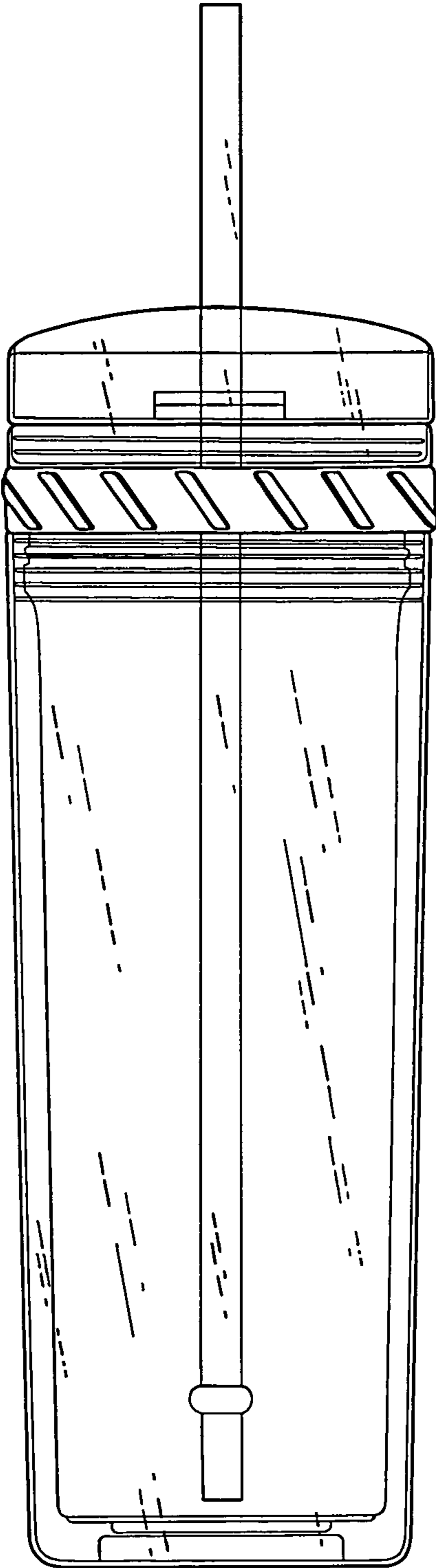


FIG. 5

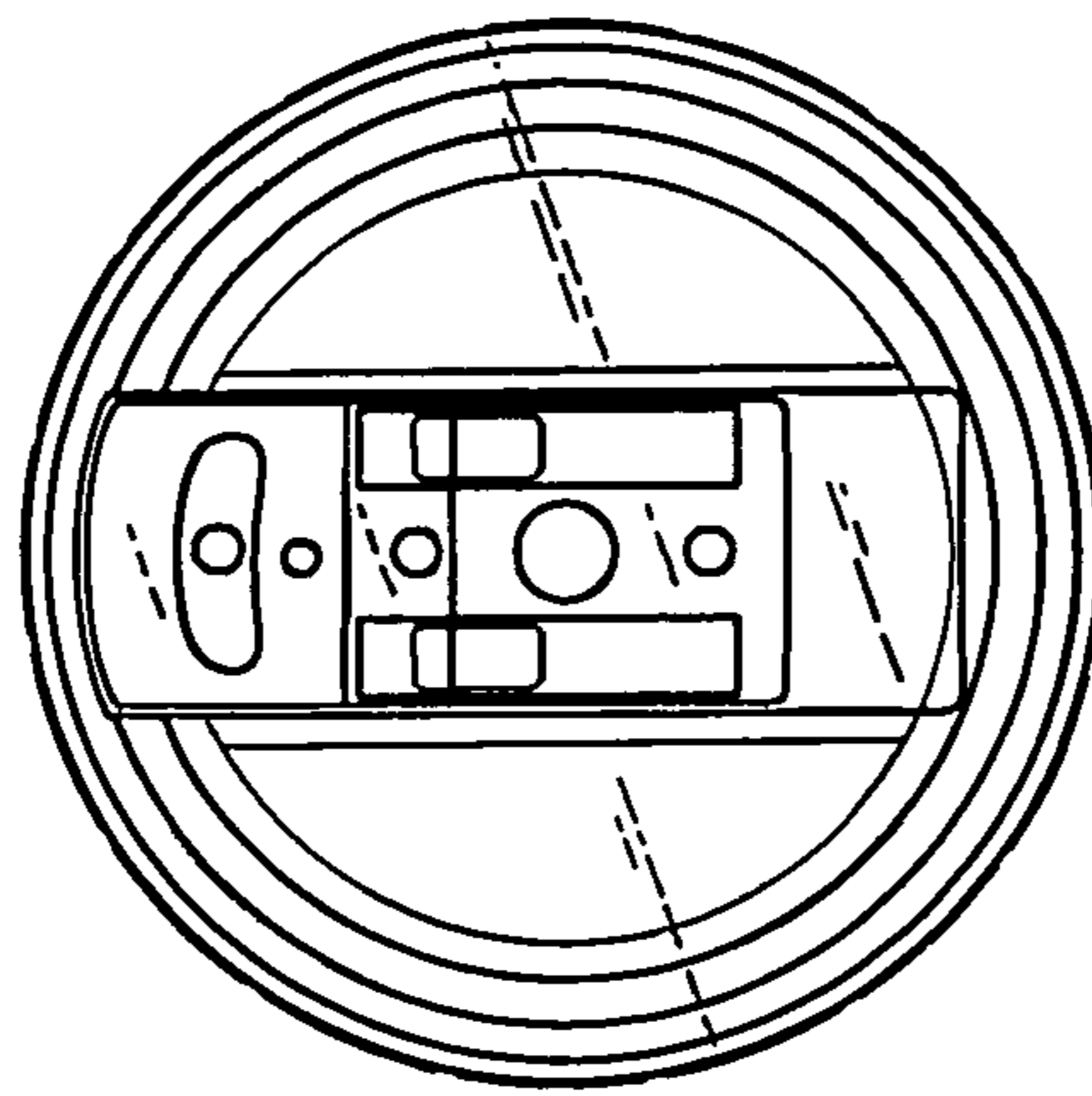


FIG. 6

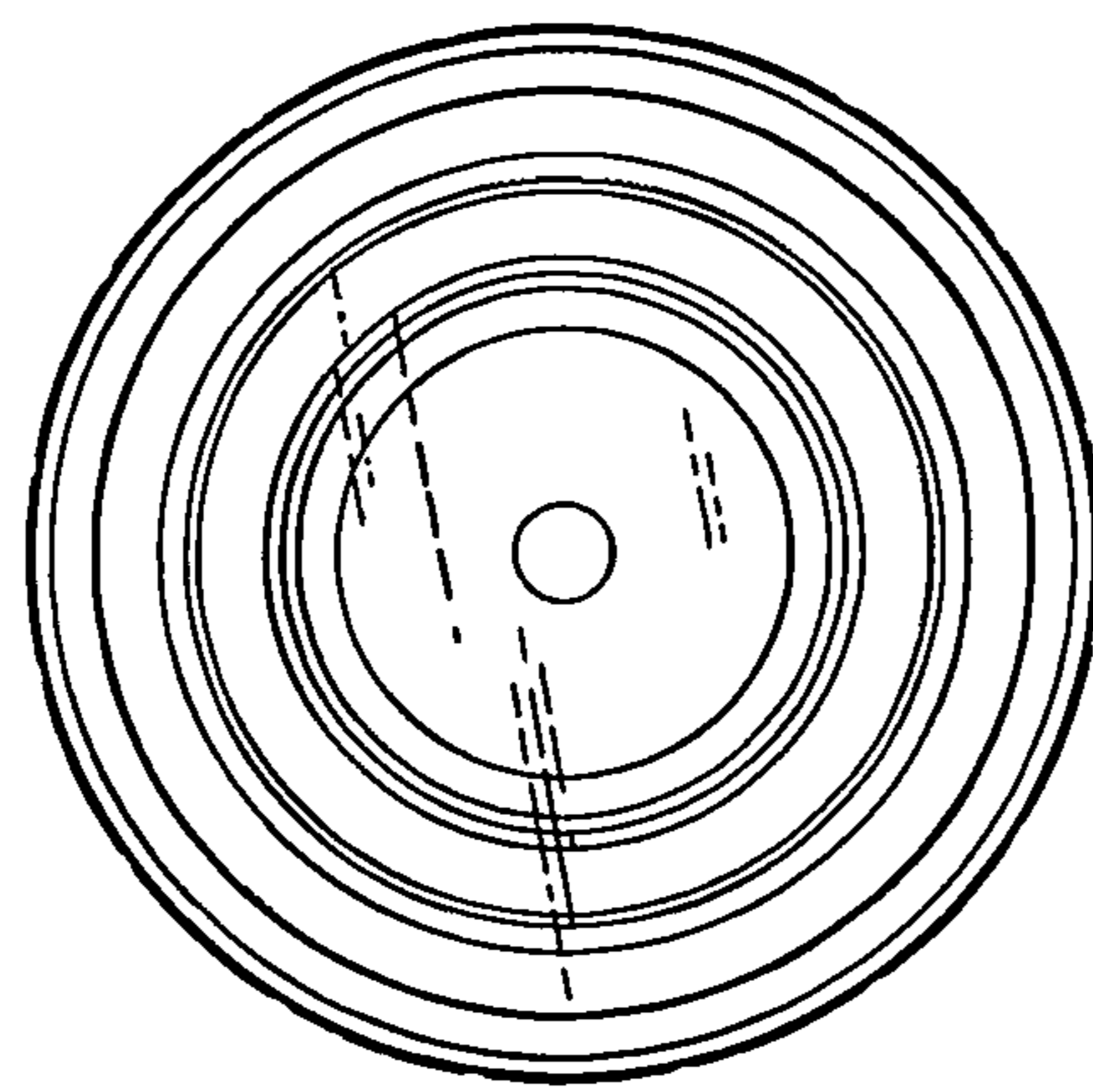


FIG. 7

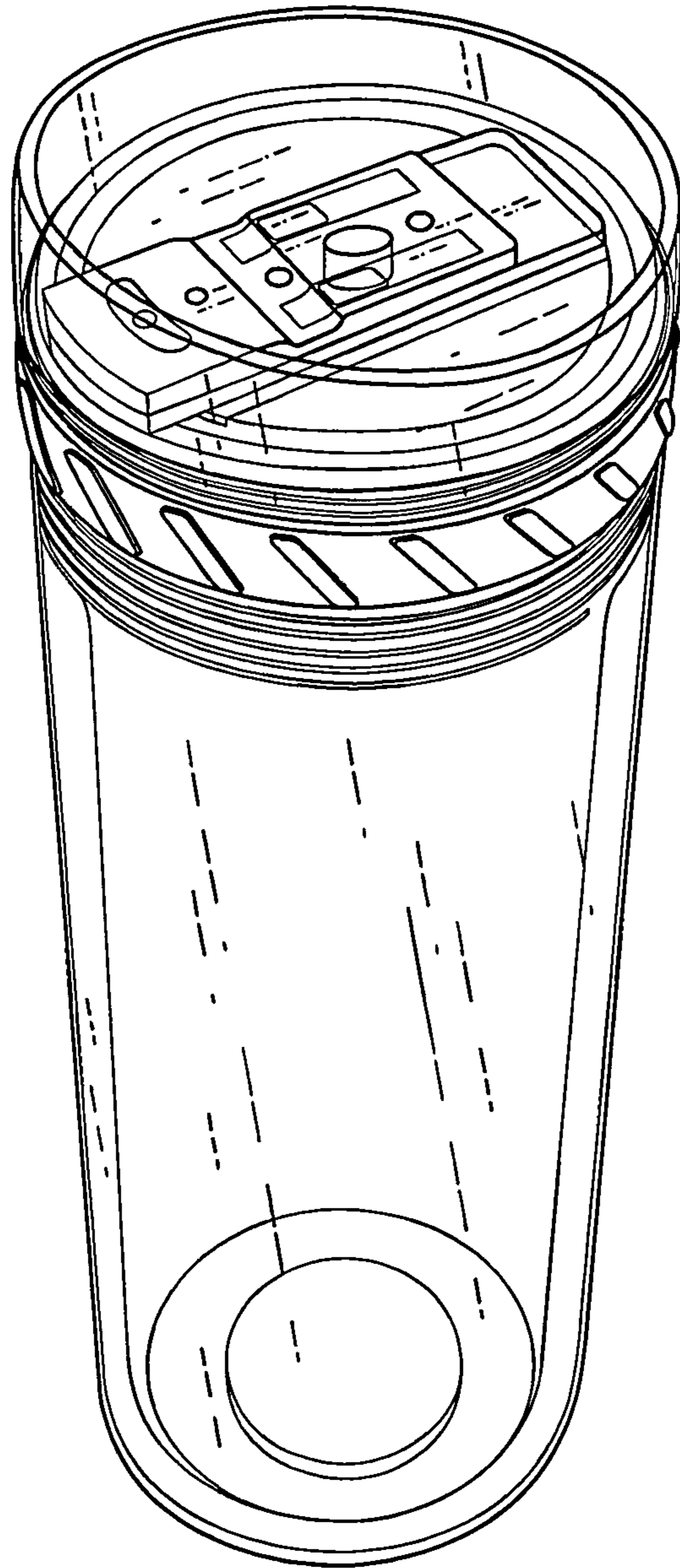


FIG. 8

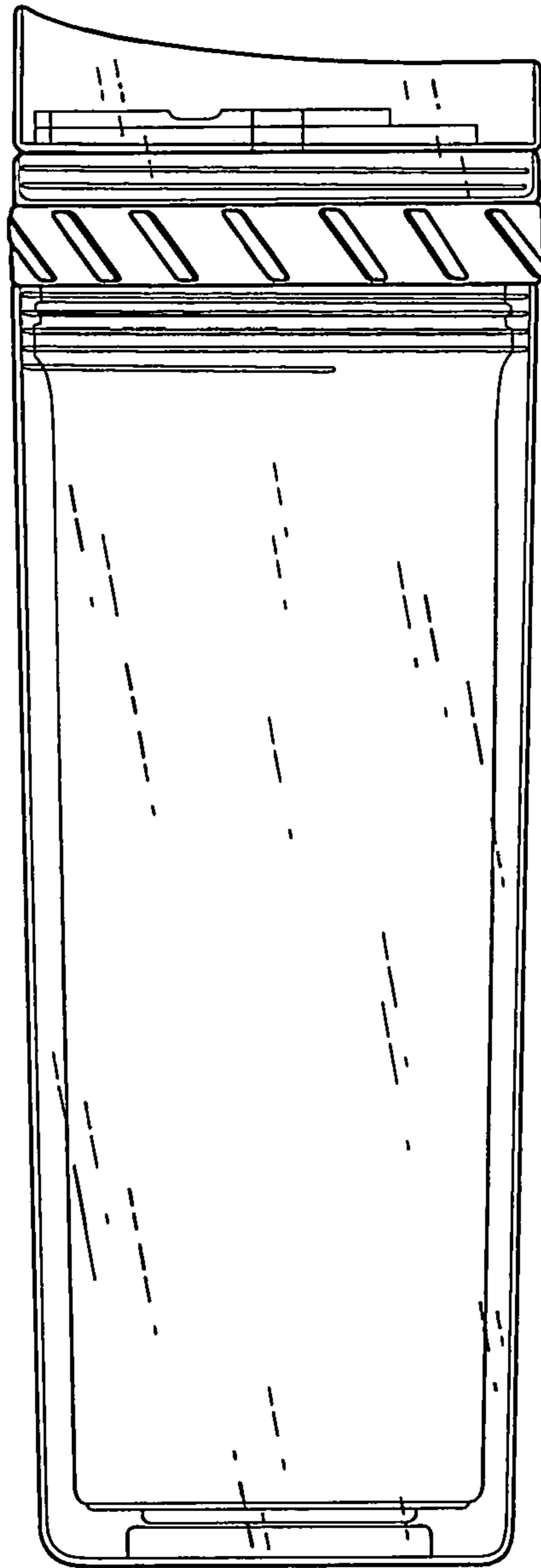


FIG. 9

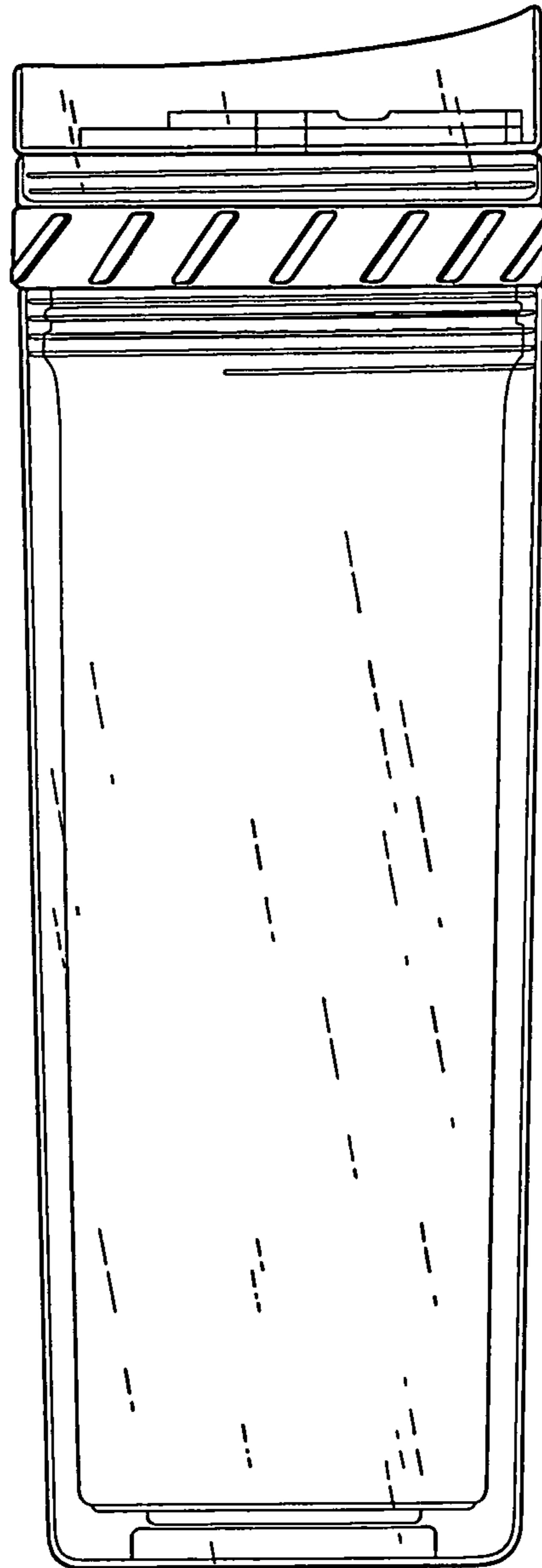


FIG. 10

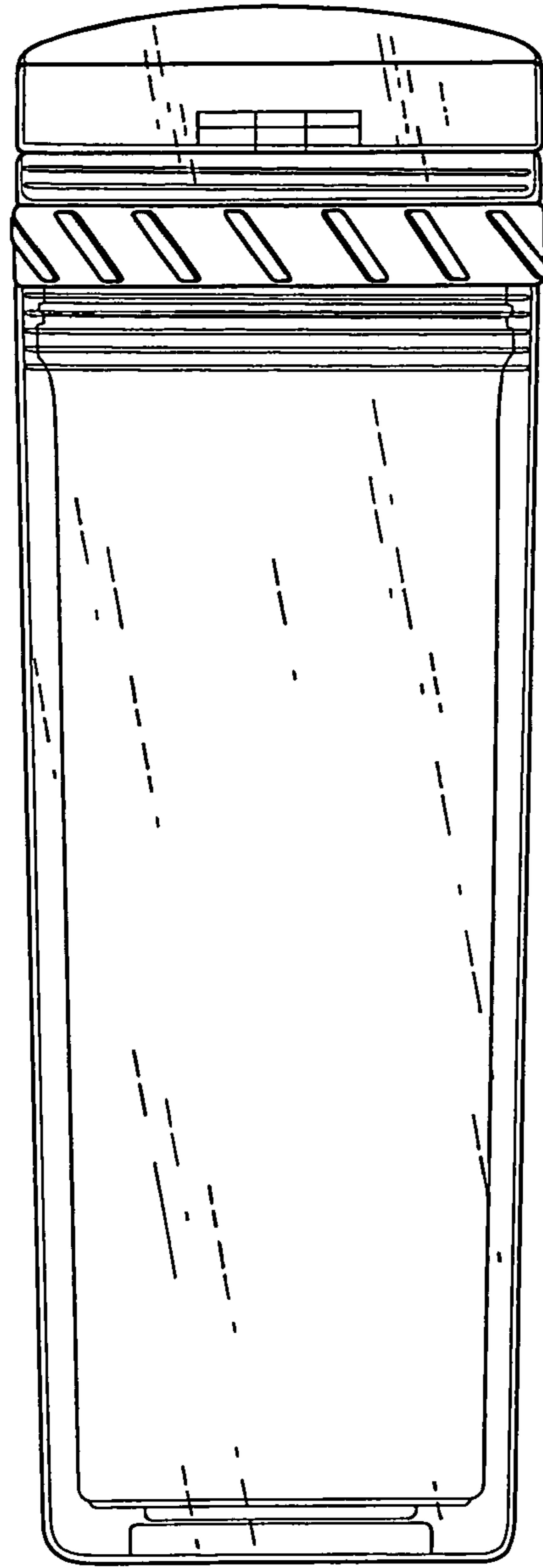


FIG. 11

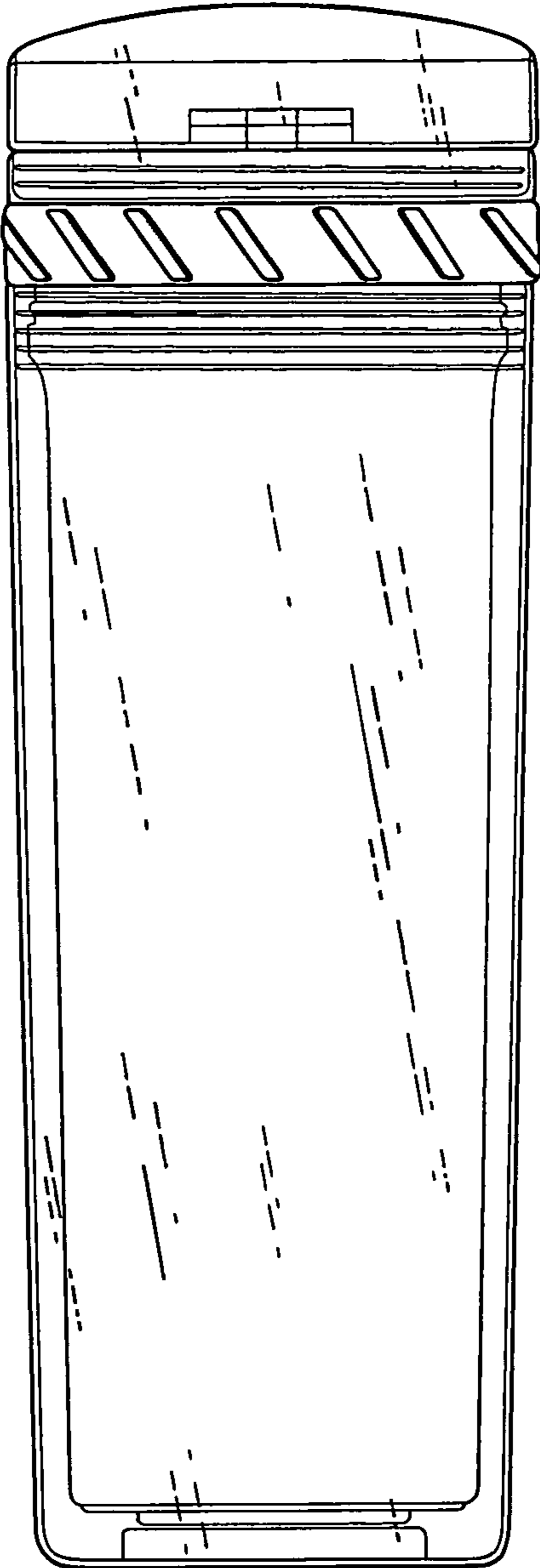


FIG. 12