



US00D701424S

(12) **United States Design Patent**  
**Shamoon**

(10) **Patent No.:** **US D701,424 S**  
(45) **Date of Patent:** **\*\* Mar. 25, 2014**

- (54) **COLLAPSIBLE CONTAINER WITH INTEGRAL CLIP**
- (71) Applicant: **Ellis N. Shamoon**, Dallas, TX (US)
- (72) Inventor: **Ellis N. Shamoon**, Dallas, TX (US)
- (\*\*) Term: **14 Years**
- (21) Appl. No.: **29/437,734**
- (22) Filed: **Nov. 20, 2012**
- (51) **LOC (10) Cl.** ..... **07-01**
- (52) **U.S. Cl.**  
USPC ..... **D7/505; D7/507; D7/512; D7/543;**  
**D7/691; D10/46.2**
- (58) **Field of Classification Search**  
USPC ..... **D7/584, 527, 505, 507, 512, 533, 543,**  
**D7/691, 587, 585, 667; D10/46.2; 220/6;**  
**294/180**

See application file for complete search history.

(56) **References Cited**

**U.S. PATENT DOCUMENTS**

D91,251 S *	12/1933	Rettich	.....	D10/46.2
D188,614 S *	8/1960	Niclaus	.....	D7/532
D222,177 S	10/1971	Tondu		
D250,565 S	12/1978	Stowell		
D259,461 S *	6/1981	Daenen et al.	.....	D10/46.2
4,377,191 A	3/1983	Yamaguchi		
4,875,576 A	10/1989	Torgimson et al.		
D347,969 S	6/1994	Cousins et al.		
5,423,452 A	6/1995	Tardif		
D373,050 S	8/1996	Brewer et al.		
D403,921 S	1/1999	Zirbes		
D405,561 S	2/1999	Willinger et al.		
D412,448 S *	8/1999	Bentson	.....	D10/46.2
D447,012 S	8/2001	Owens et al.		
D452,417 S	12/2001	Whitmore et al.		
D477,186 S	7/2003	de Groote et al.		
6,619,230 B1	9/2003	Kimbrough et al.		

D484,363 S	12/2003	de Groote et al.		
7,048,317 B2	5/2006	Netsch		
D522,809 S *	6/2006	Kusuma et al.	.....	D7/602
D524,603 S	7/2006	Kishbaugh et al.		
D545,629 S	7/2007	Mellen et al.		
D550,036 S *	9/2007	Holcomb et al.	.....	D7/512
D558,535 S *	1/2008	Curtin	.....	D7/667
D562,159 S *	2/2008	Griffith et al.	.....	D10/46.2
D564,138 S	3/2008	Dunn et al.		
D571,614 S	6/2008	Curtin		
D577,466 S	9/2008	Shamoon		
D582,101 S	12/2008	Shamoon		
D584,967 S *	1/2009	Shamoon	.....	D10/46.2
D588,947 S *	3/2009	Curtin	.....	D10/46.2
D598,251 S *	8/2009	Ikoma et al.	.....	D7/691
D601,385 S	10/2009	Savage		
D618,862 S	6/2010	Shamoon		
D634,654 S *	3/2011	Hull et al.	.....	D10/46.2
D645,705 S *	9/2011	Shamoon	.....	D7/543
D648,190 S *	11/2011	Steiner et al.	.....	D7/691
D652,746 S *	1/2012	Lee et al.	.....	D10/46.2
D664,003 S *	7/2012	Nagoya	.....	D7/512
D665,541 S *	8/2012	Shamoon	.....	D30/133
D675,482 S *	2/2013	Heggestad et al.	.....	D7/512

(Continued)

*Primary Examiner* — Marianne Pandozzi

(74) *Attorney, Agent, or Firm* — Daniel V. Thompson

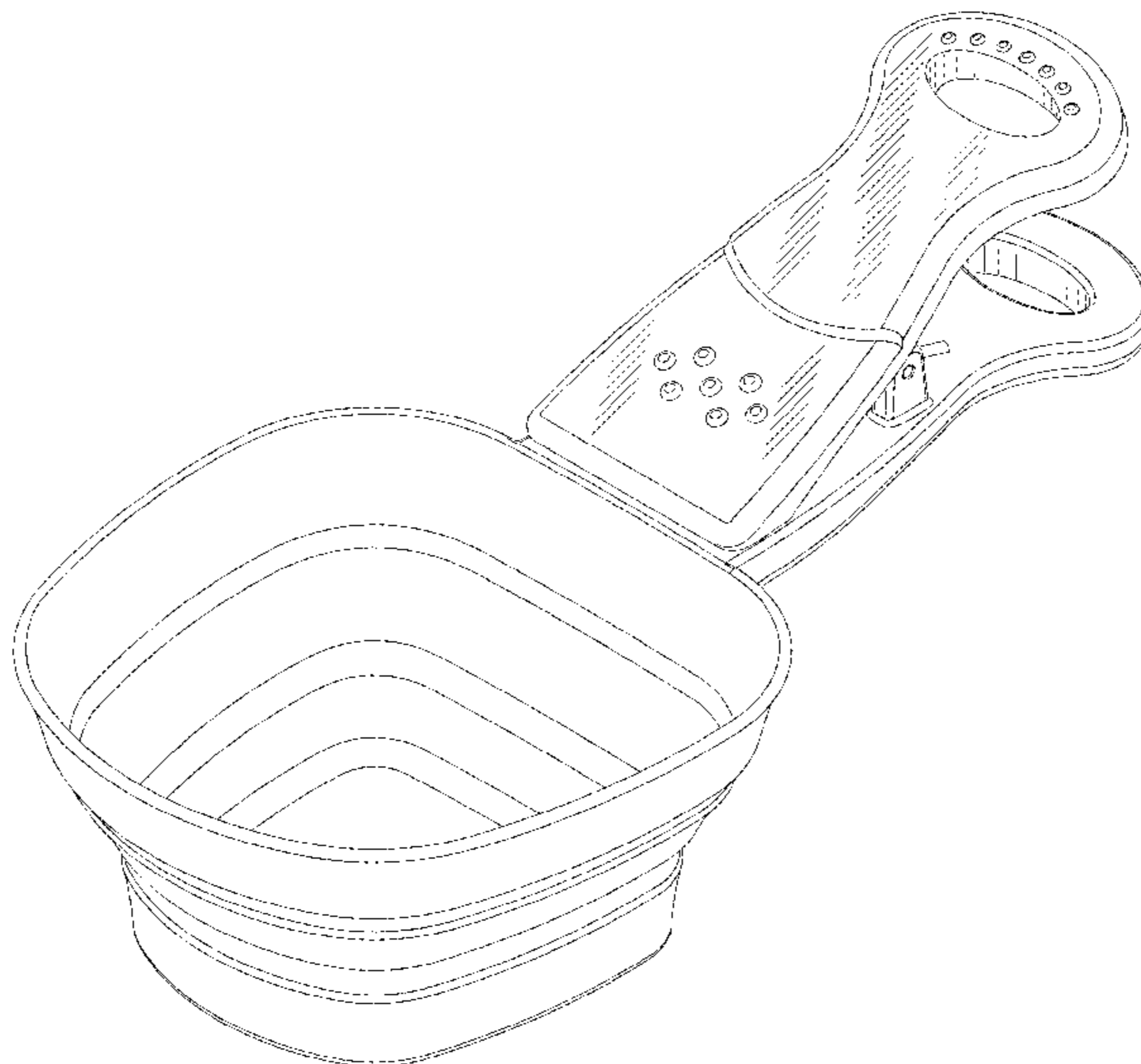
(57) **CLAIM**

The ornamental design for a collapsible container with integral clip, as shown and described.

**DESCRIPTION**

FIG. 1 is a front-facing perspective view of collapsible container with integral clip showing my new design;  
 FIG. 2 is a top plan view thereof;  
 FIG. 3 is a bottom plan view thereof;  
 FIG. 4 is a right-side elevational view thereof;  
 FIG. 5 is a left-side elevational view thereof;  
 FIG. 6 is a front elevational view thereof; and,  
 FIG. 7 is a rear elevational view thereof.

**1 Claim, 6 Drawing Sheets**



# US D701,424 S

Page 2

---

(56)

## References Cited

### U.S. PATENT DOCUMENTS

D682,617 S \* 5/2013 Miksovsky et al. .... D7/512  
8,448,813 B2 \* 5/2013 Vanderberg et al. .... 220/666

D684,190 S \* 6/2013 Ridl et al. .... D14/491  
D696,074 S \* 12/2013 Shamoon ..... D7/584  
2005/0127073 A1 \* 6/2005 Kusuma et al. .... 220/6

\* cited by examiner

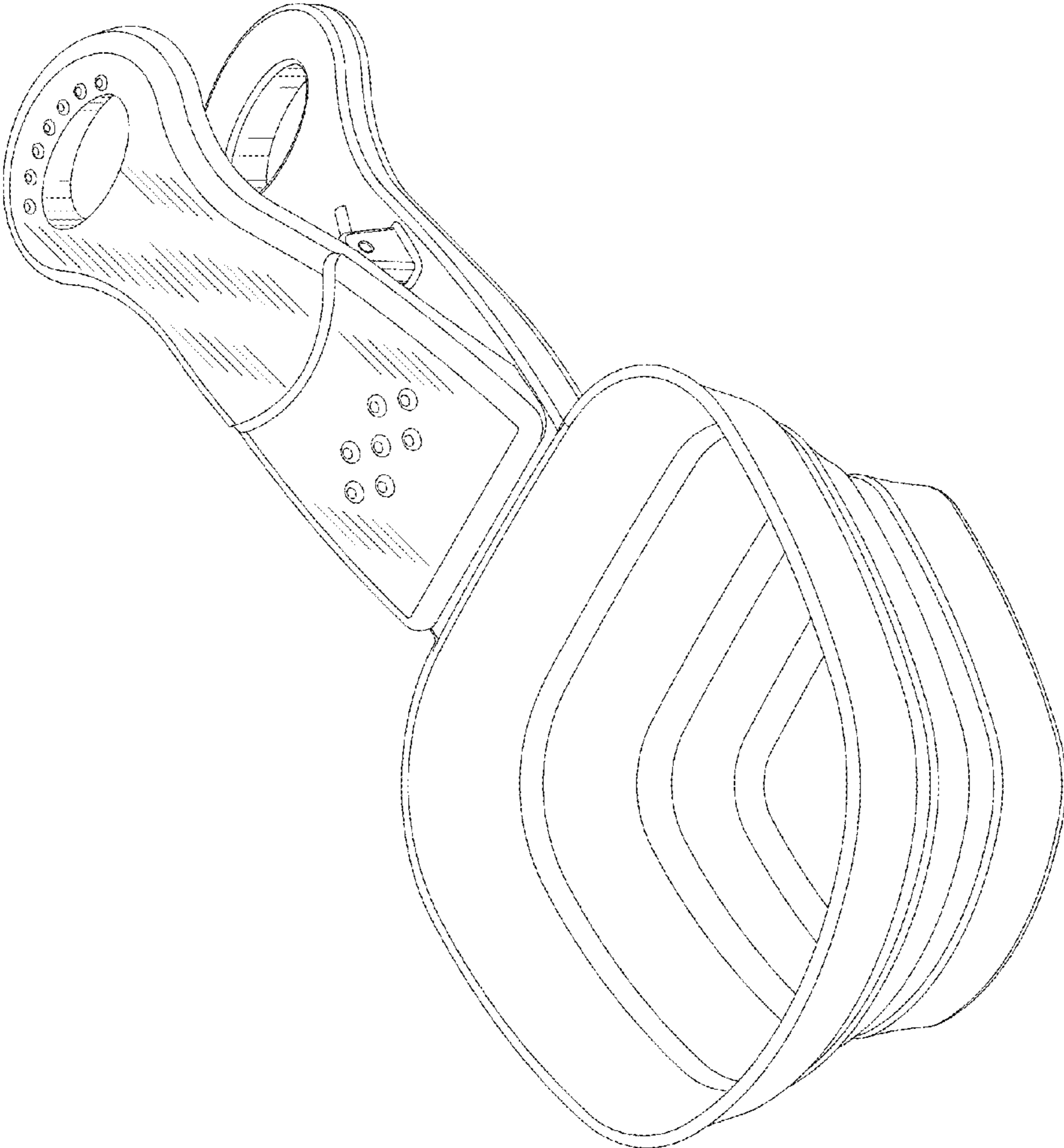


Fig. 1

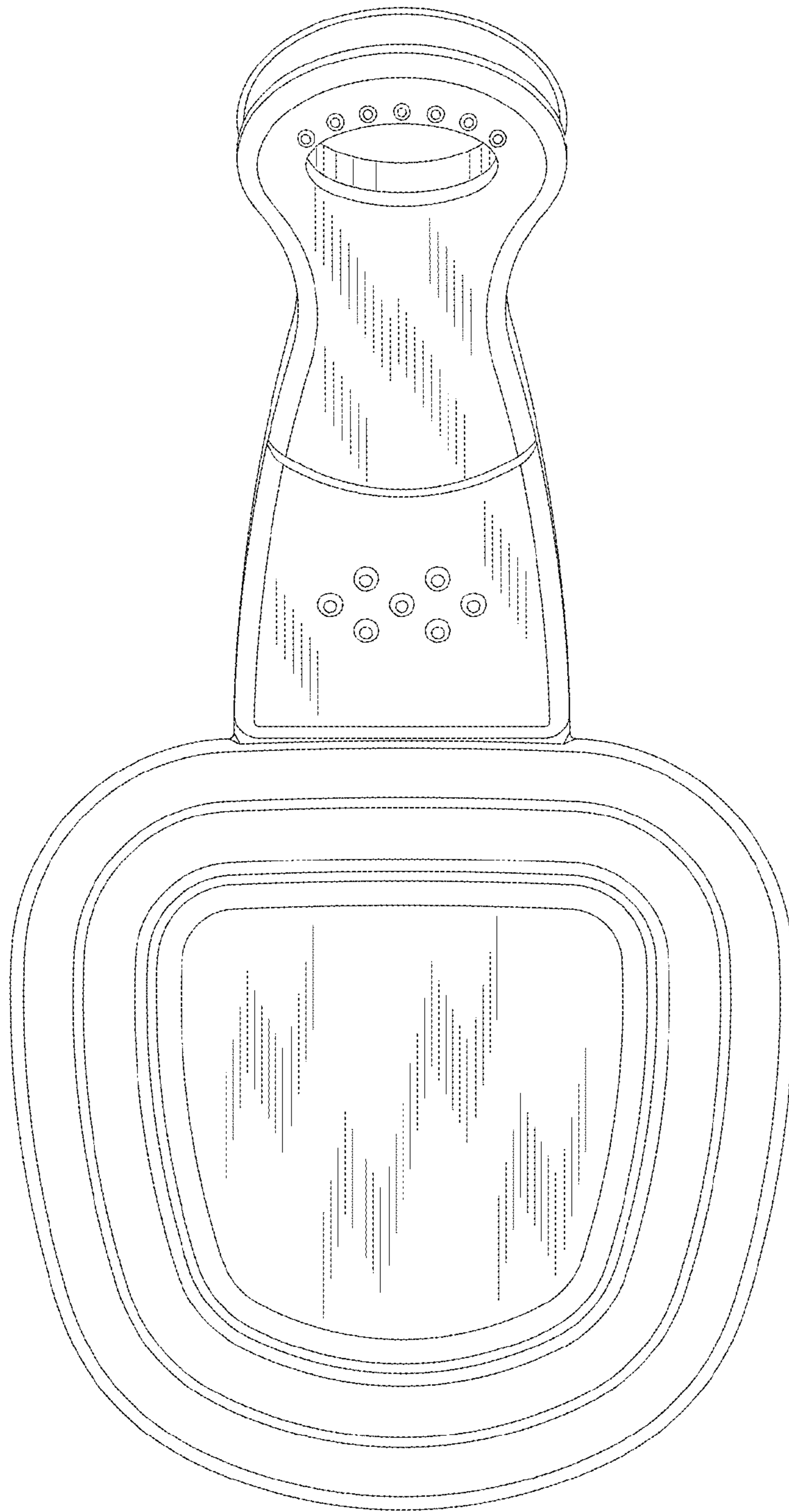


Fig. 2

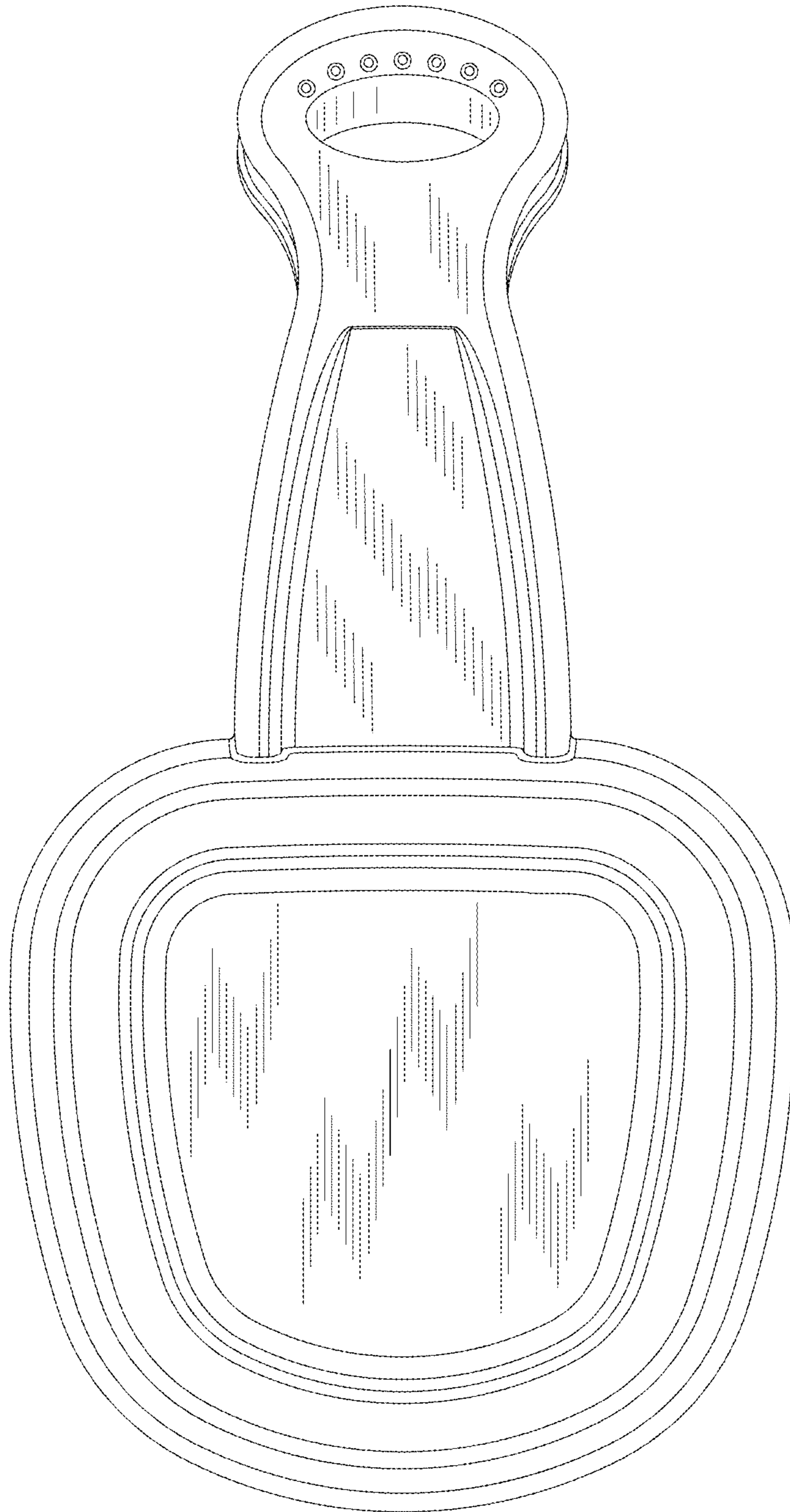


Fig. 3

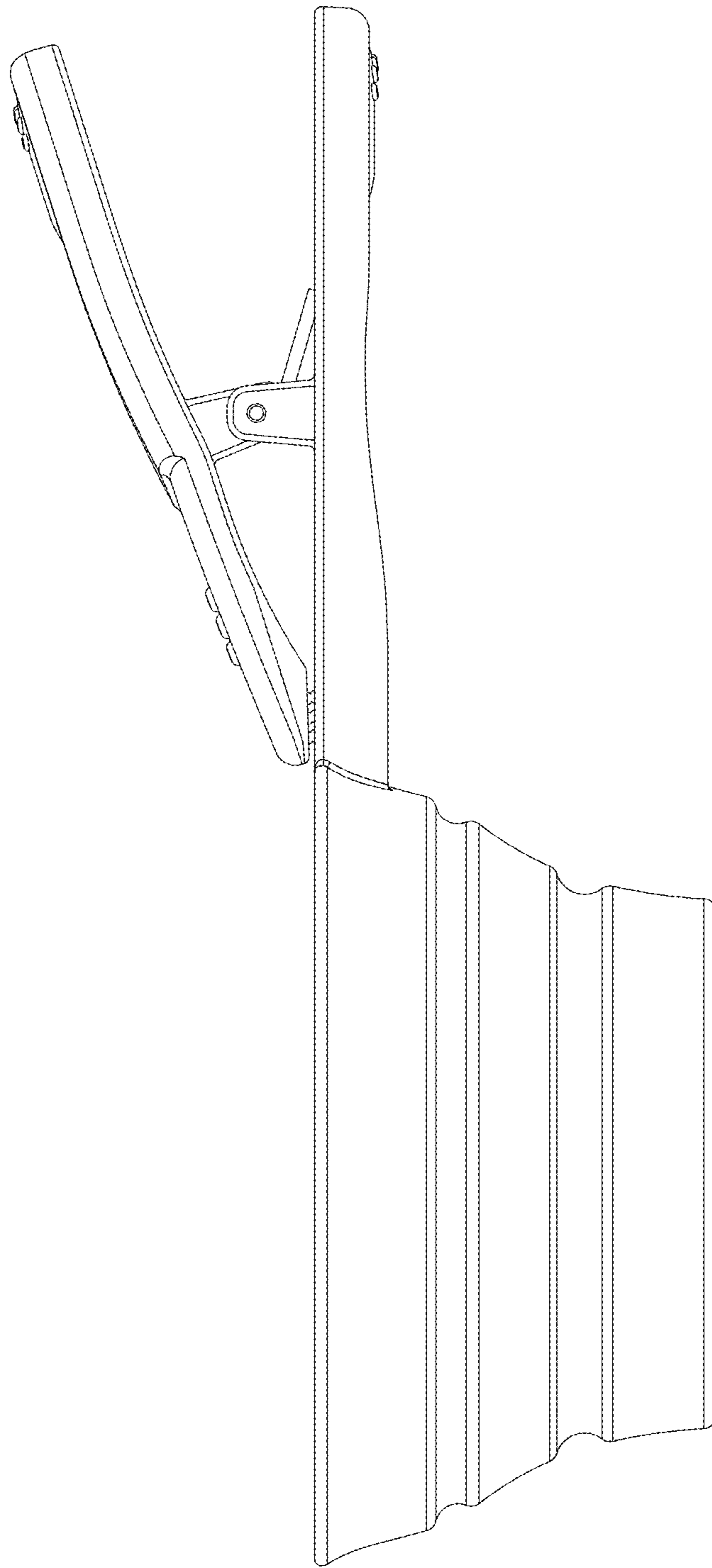


Fig. 4

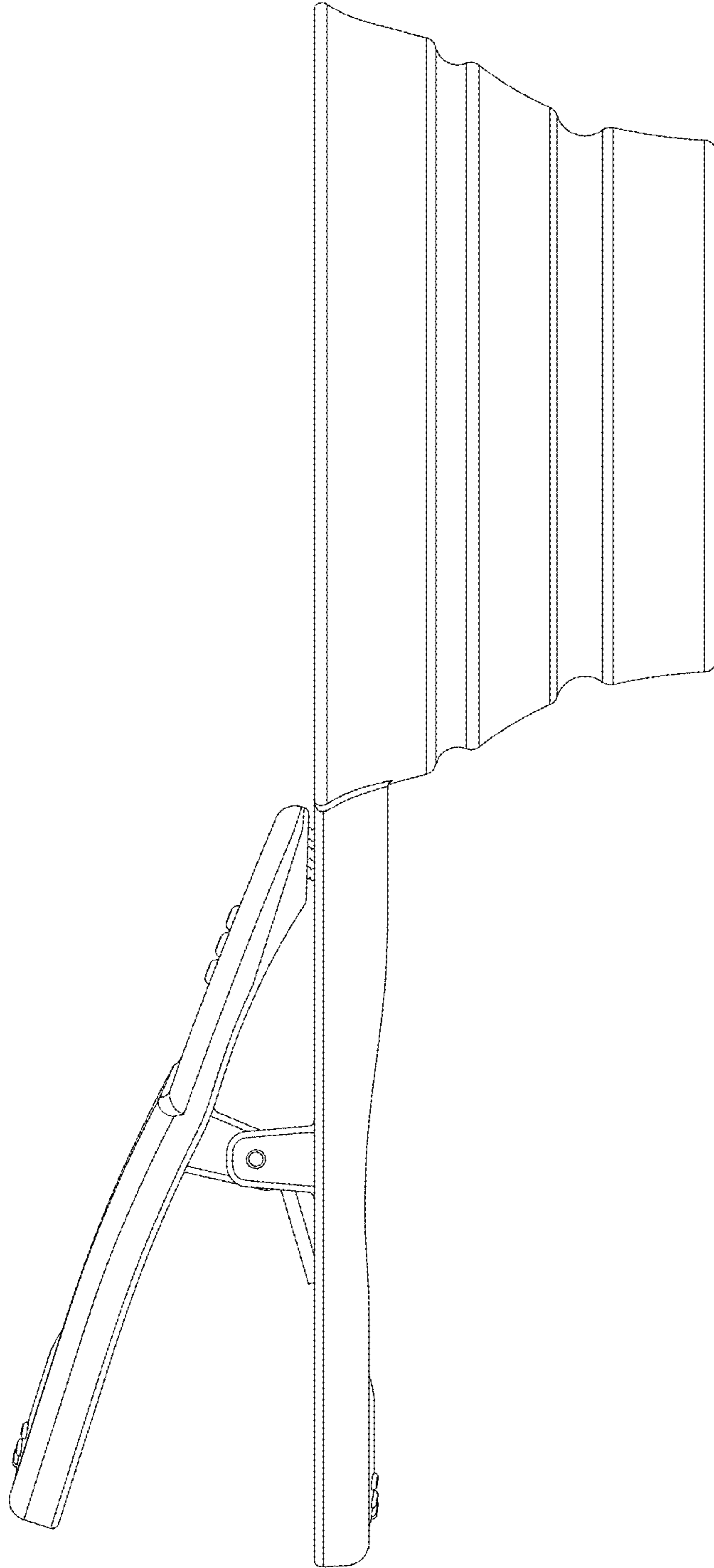


Fig. 5

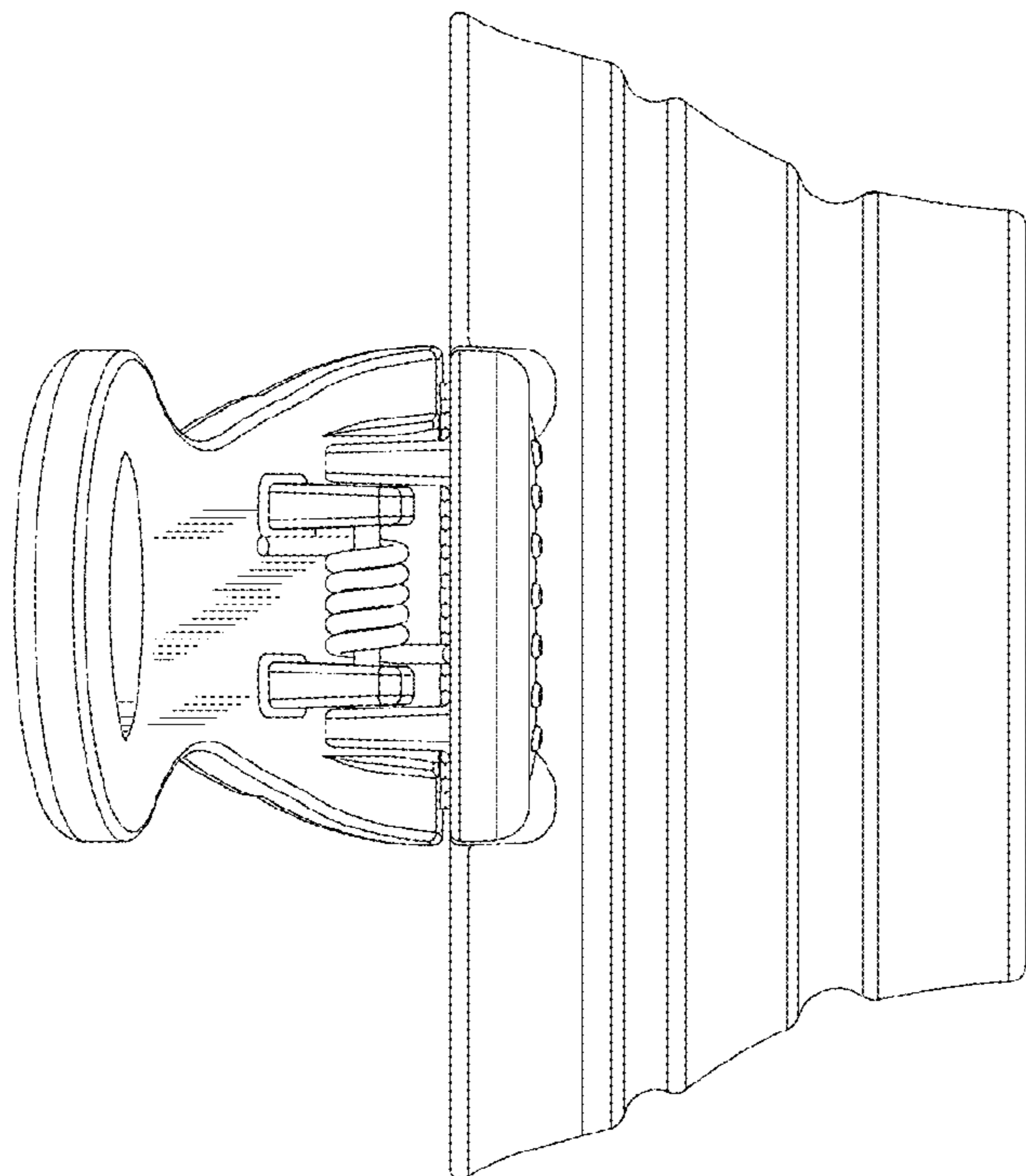


Fig. 7

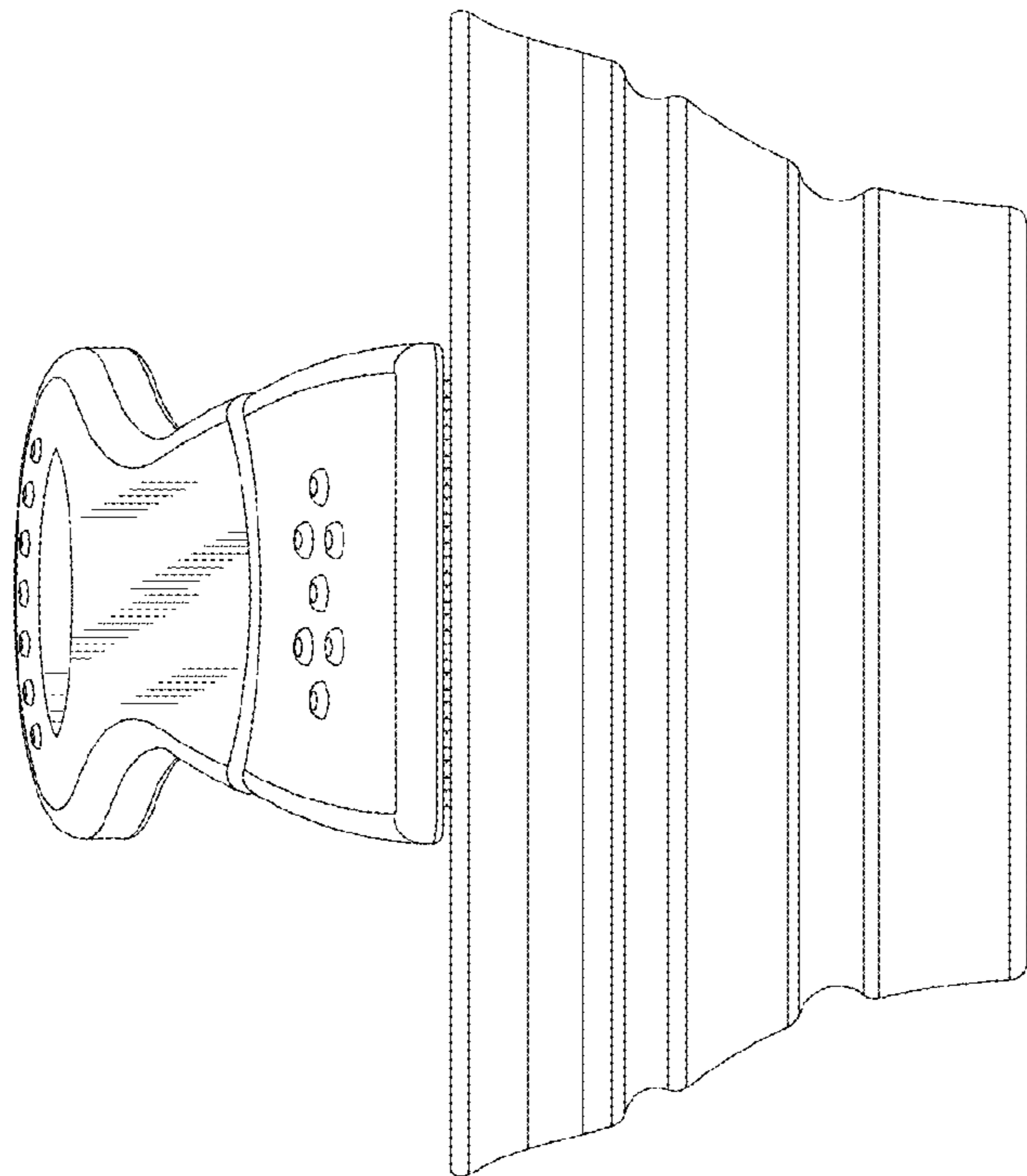


Fig. 6