



US00D701421S

(12) **United States Design Patent**
Tai

(10) **Patent No.:** **US D701,421 S**
(45) **Date of Patent:** **** Mar. 25, 2014**

(54) **MICROWAVE MOISTURE LOCK COVER**

(71) Applicant: **Chih-Cheng Tai**, Campbell, CA (US)

(72) Inventor: **Chih-Cheng Tai**, Campbell, CA (US)

(**) Term: **14 Years**

(21) Appl. No.: **29/451,912**

(22) Filed: **Apr. 10, 2013**

(51) **LOC (10) Cl.** **07-02**

(52) **U.S. Cl.**

USPC **D7/391; D7/354**

(58) **Field of Classification Search**

USPC D7/307, 323, 329–332, 339, 346–347,
D7/350.1–350.4, 353–367, 391–392,
D7/392.1, 393, 395, 402, 406, 409,
D7/538–542, 610; D9/454; 99/324–325,
99/331–332, 337–343, 369, 400–418, 422,
99/425, 444, 451, 483; 126/37 R, 261,
126/374.1, 378.1; 206/501–505, 507–508;
219/400, 405, 429–442, 620–624, 725,
219/730–735; 220/203.05, 203.07, 203.09,
220/298, 315–316, 573.1–573.5, 912;
426/438, 441

See application file for complete search history.

(56) **References Cited**

U.S. PATENT DOCUMENTS

D255,528 S *	6/1980	Seager	D7/392.1
D288,767 S *	3/1987	Minuti	D7/542
D290,326 S *	6/1987	Daenen et al.	D7/540
D347,142 S *	5/1994	Falvo	D7/391
D477,178 S *	7/2003	Cornfield	D7/391
D479,952 S *	9/2003	Zimmerman	D7/610
D480,263 S *	10/2003	Lillelund et al.	D7/392.1
D548,005 S *	8/2007	Curtin et al.	D7/392
D578,336 S *	10/2008	Kim	D7/354
D588,866 S *	3/2009	Ho	D7/391
D658,012 S *	4/2012	Dagan et al.	D7/610
D669,354 S *	10/2012	Davis et al.	D9/454
D682,610 S *	5/2013	Carder et al.	D7/392.1

* cited by examiner

Primary Examiner — Ricky Pham

(74) *Attorney, Agent, or Firm* — Haverstock & Owens LLP

(57) **CLAIM**

The ornamental design for a microwave moisture lock cover, as shown and described.

DESCRIPTION

FIG. 1 is a perspective view of the microwave moisture lock cover;

FIG. 2 is a tilted bottom view of the microwave moisture lock cover;

FIG. 3 is a top view of the microwave moisture lock cover;

FIG. 4 is a bottom view of the microwave moisture lock cover;

FIG. 5 is a front view of the microwave moisture lock cover;

FIG. 6 is a side view of the microwave moisture lock cover;

FIG. 7 is a perspective view of a cover portion of the microwave moisture lock cover;

FIG. 8 is a perspective bottom view of the cover portion of the microwave moisture lock cover;

FIG. 9 is a top view of the cover portion of the microwave moisture lock cover;

FIG. 10 is a bottom view of the cover portion of the microwave moisture lock cover;

FIG. 11 is a side view of the cover portion of the microwave moisture lock cover;

FIG. 12 is a perspective top view of a dish portion of the microwave moisture lock cover;

FIG. 13 is a perspective bottom view of the dish portion of the microwave moisture lock cover;

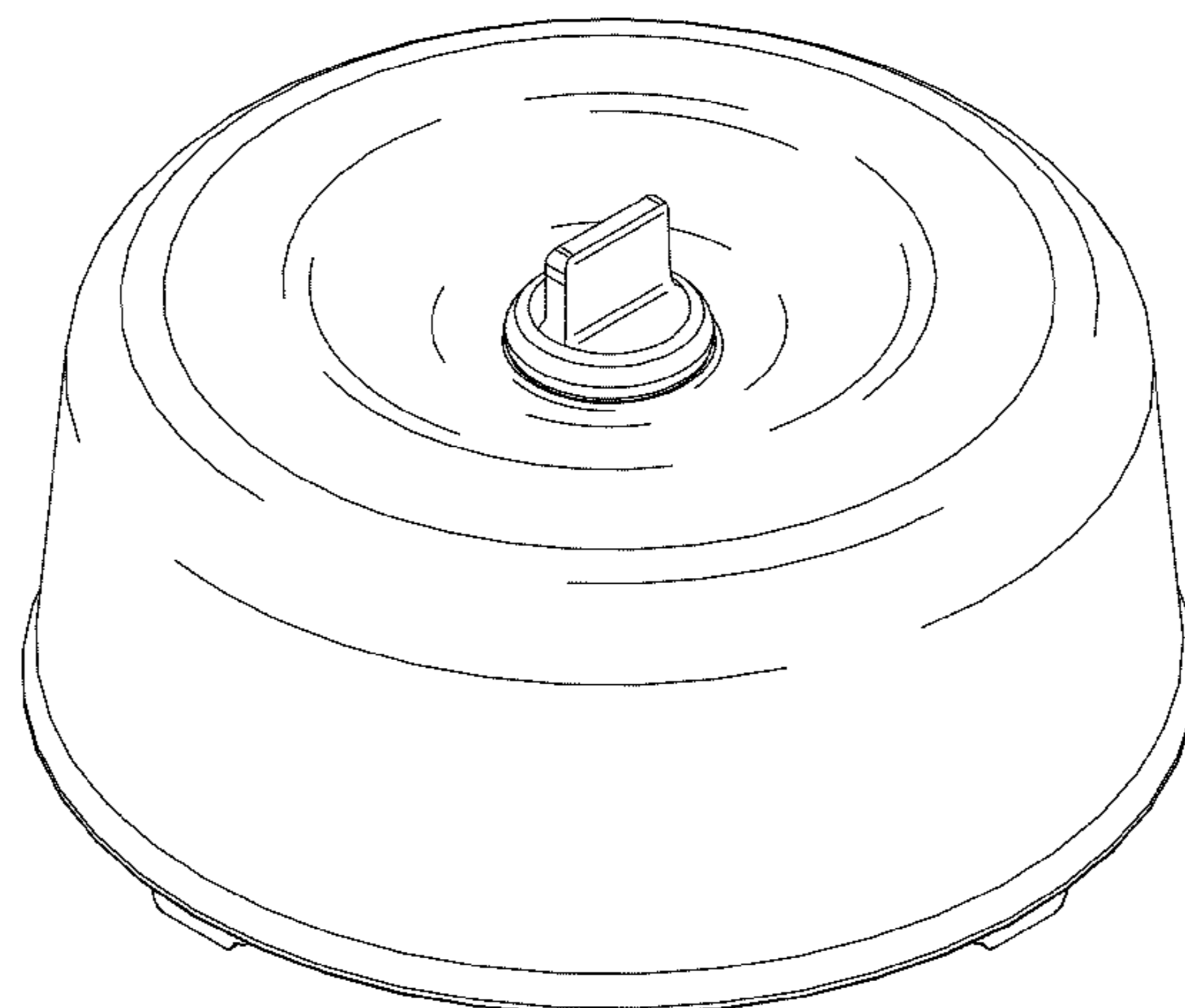
FIG. 14 is a top view of the dish portion of the microwave moisture lock cover;

FIG. 15 is a bottom view of the dish portion of the microwave moisture lock cover;

FIG. 16 is a front view of the dish portion of the microwave moisture lock cover; and,

FIG. 17 is a side view of the dish portion of the microwave moisture lock cover.

1 Claim, 13 Drawing Sheets



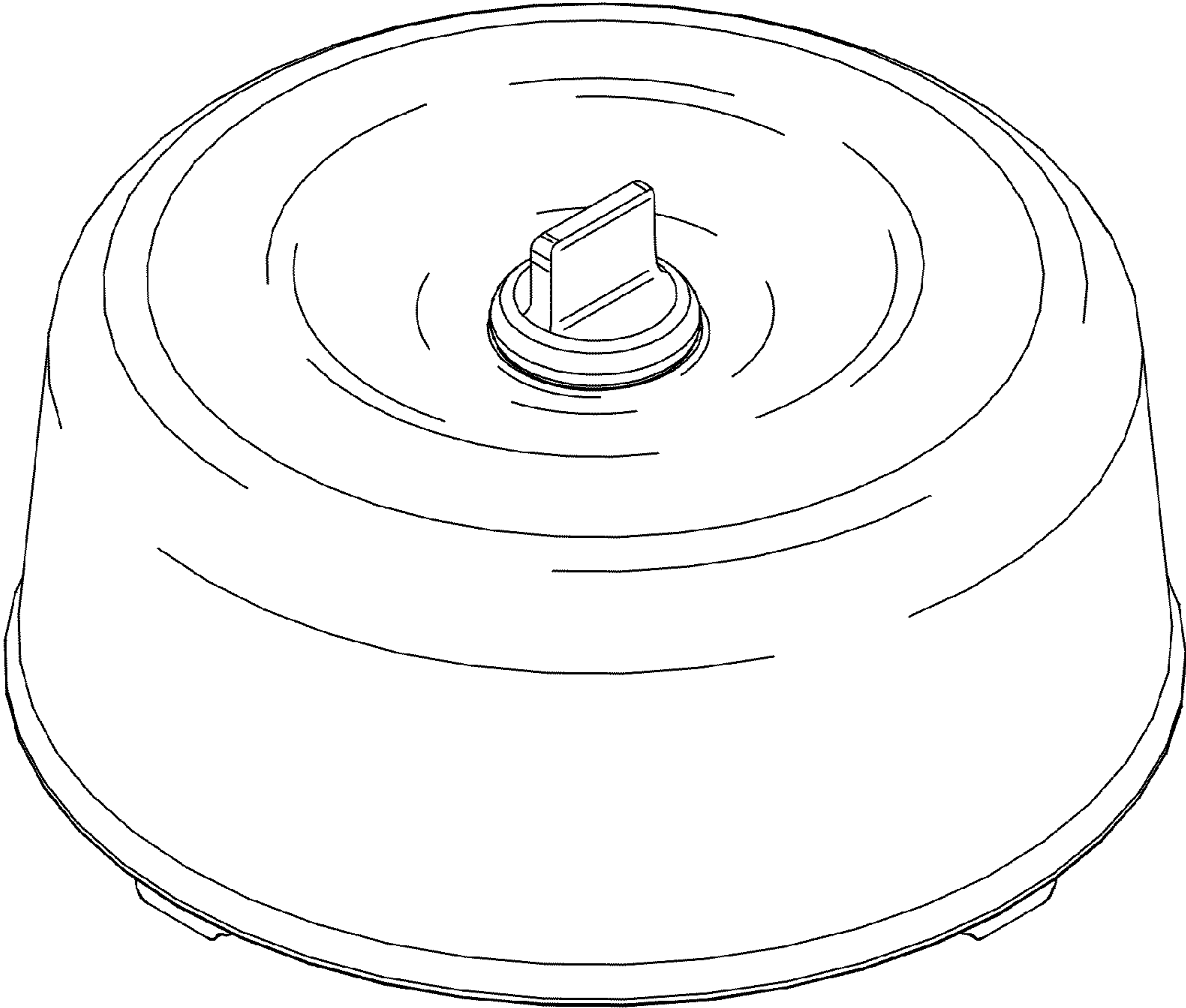


Fig. 1

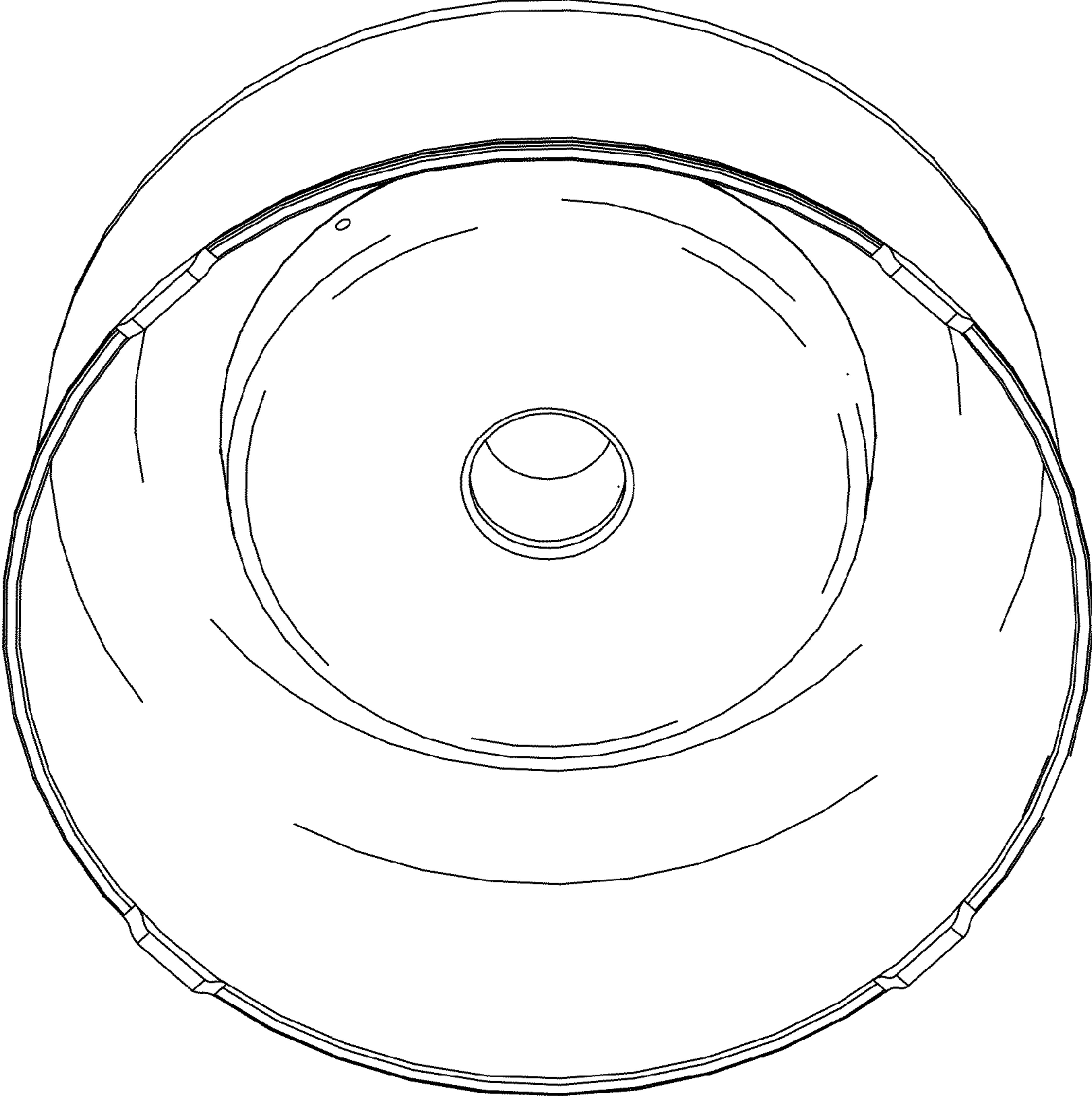


Fig. 2

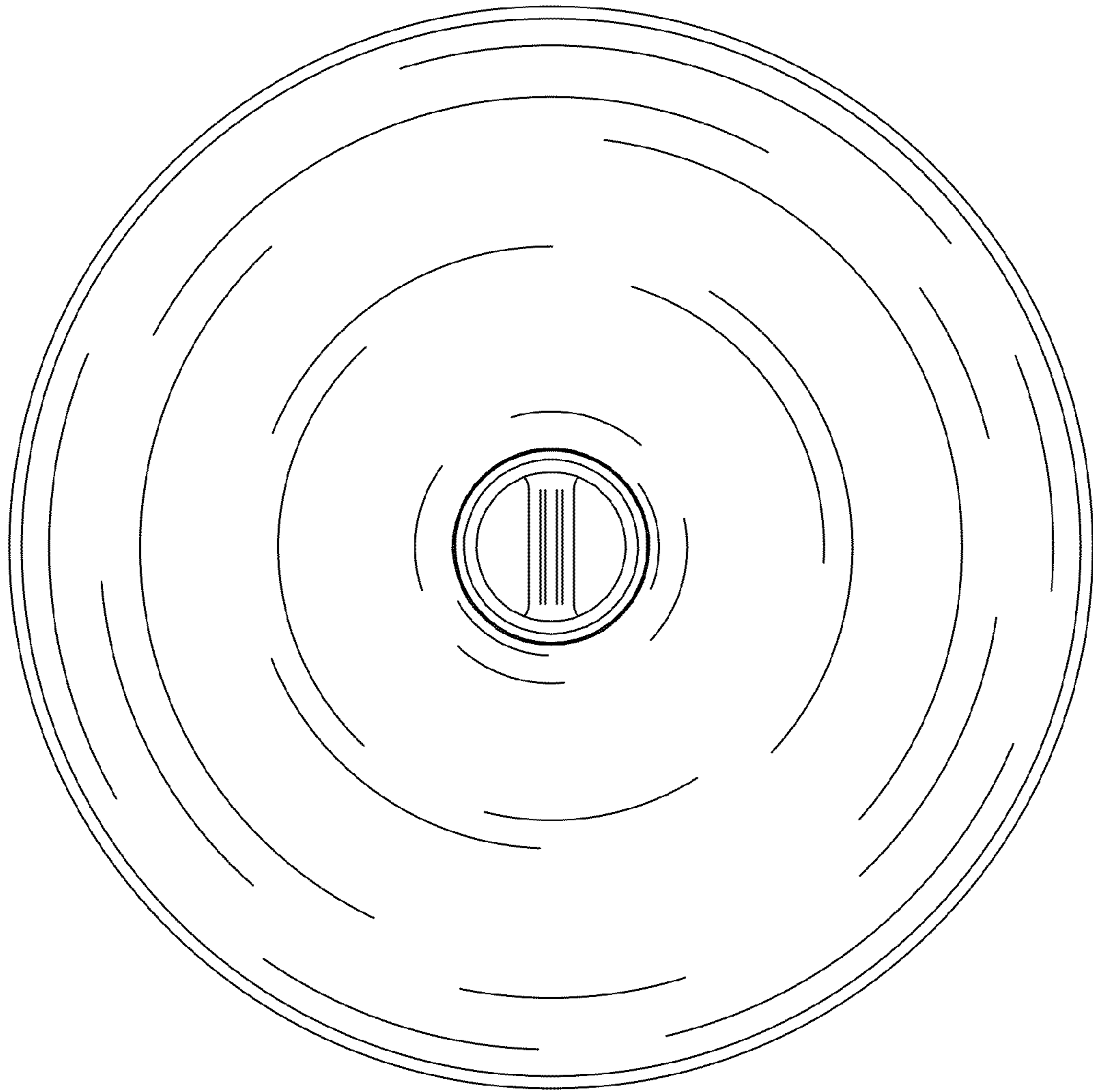


Fig. 3

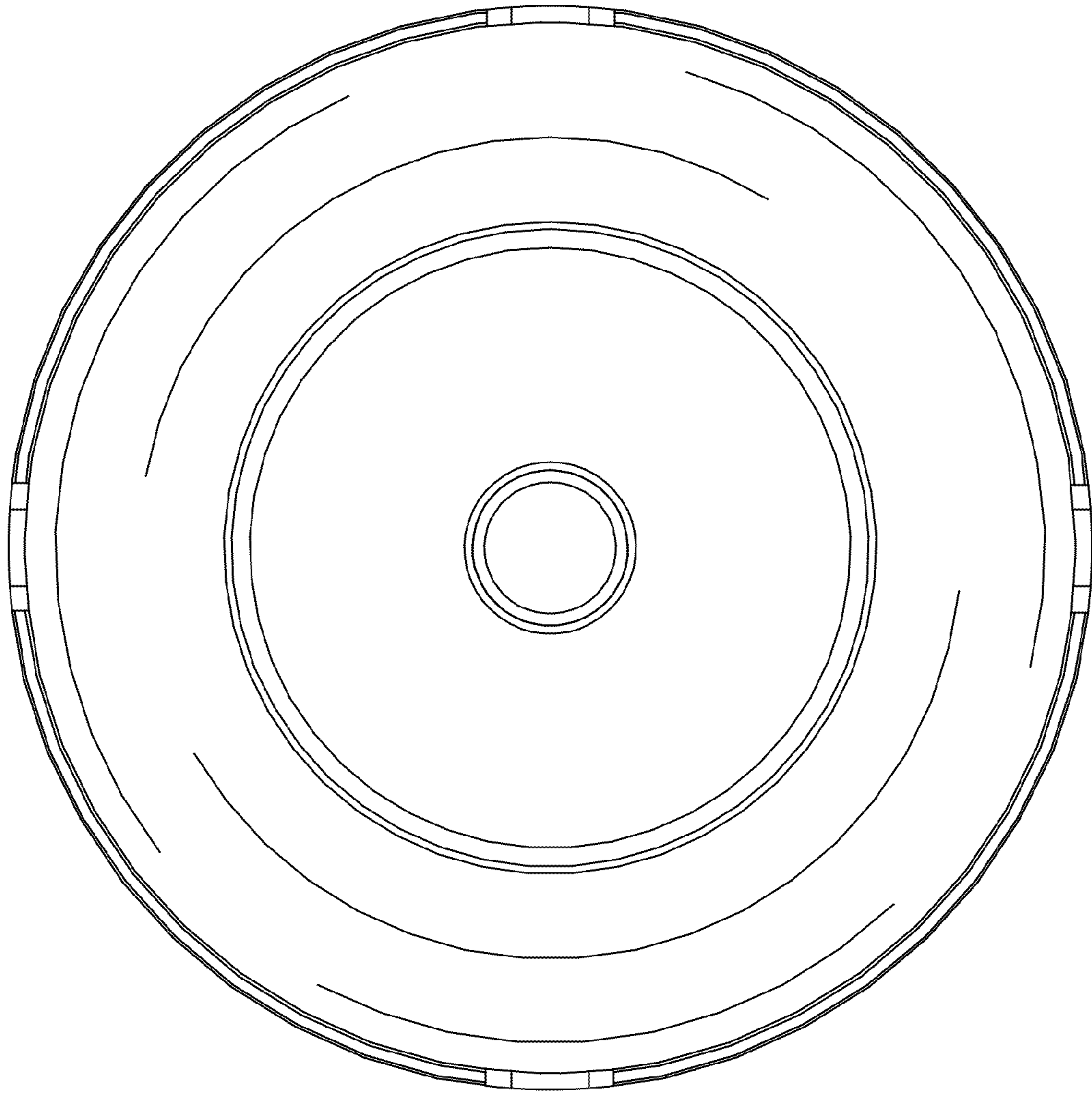


Fig. 4

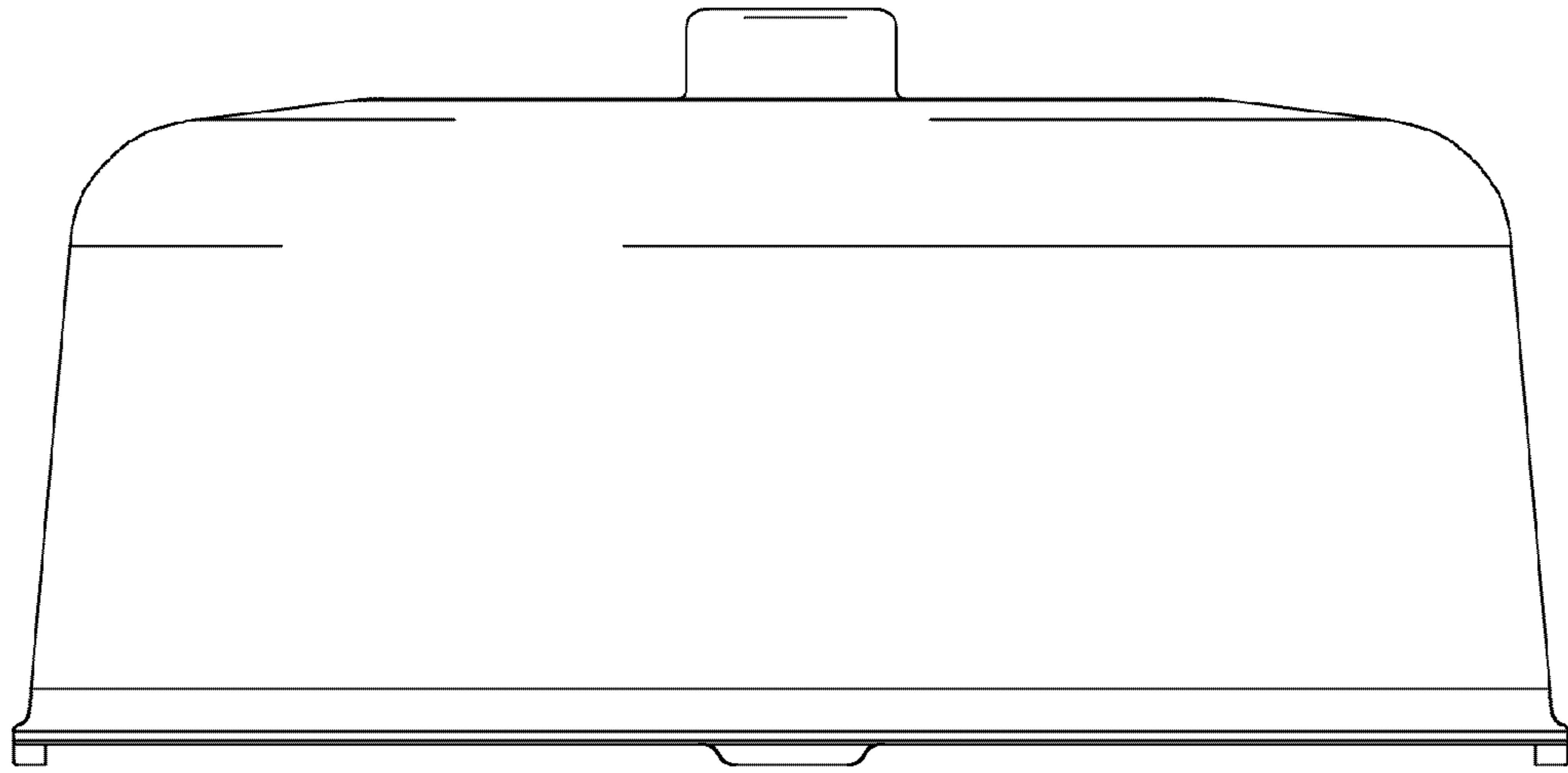


Fig. 5

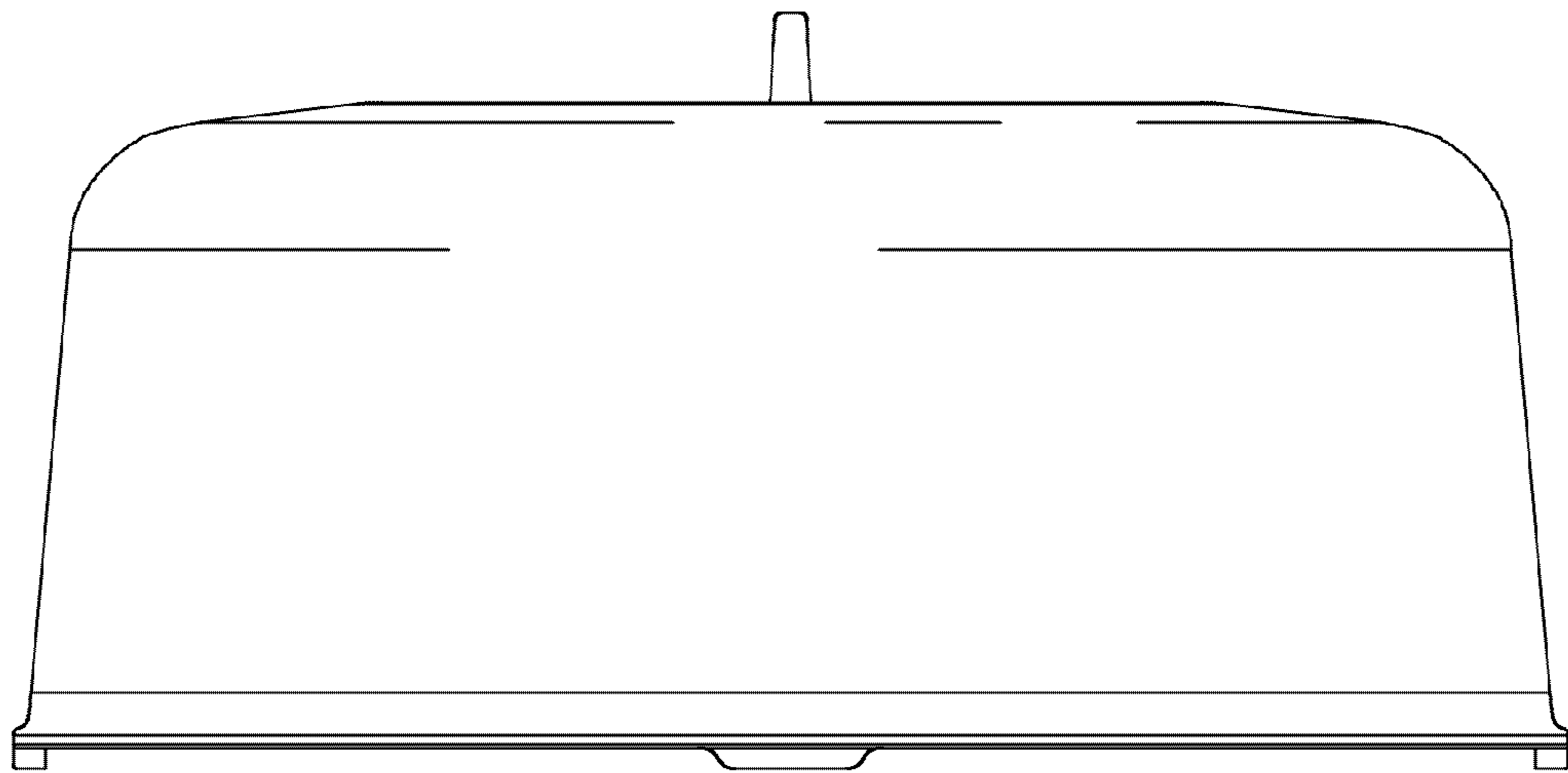


Fig. 6

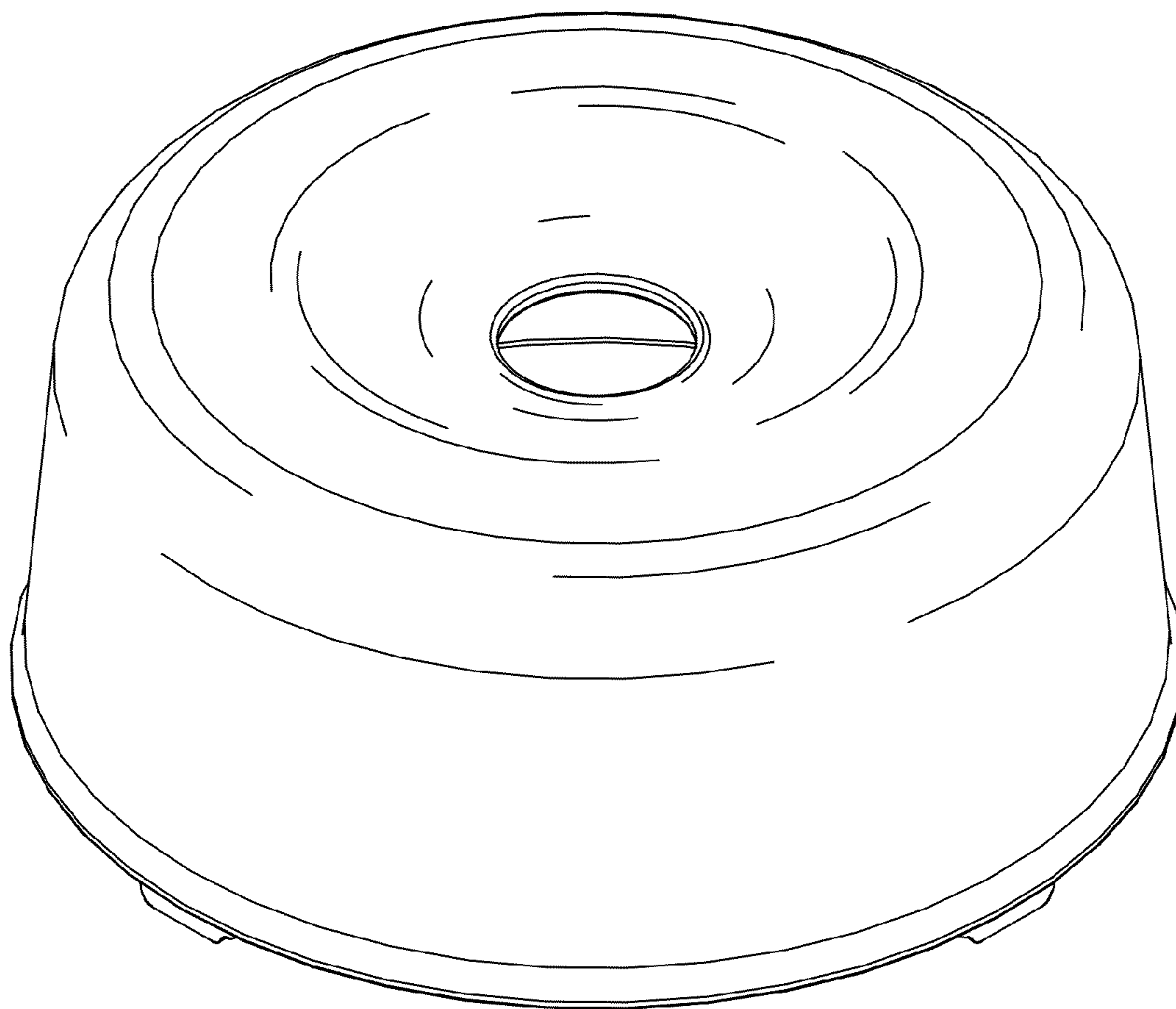


Fig. 7

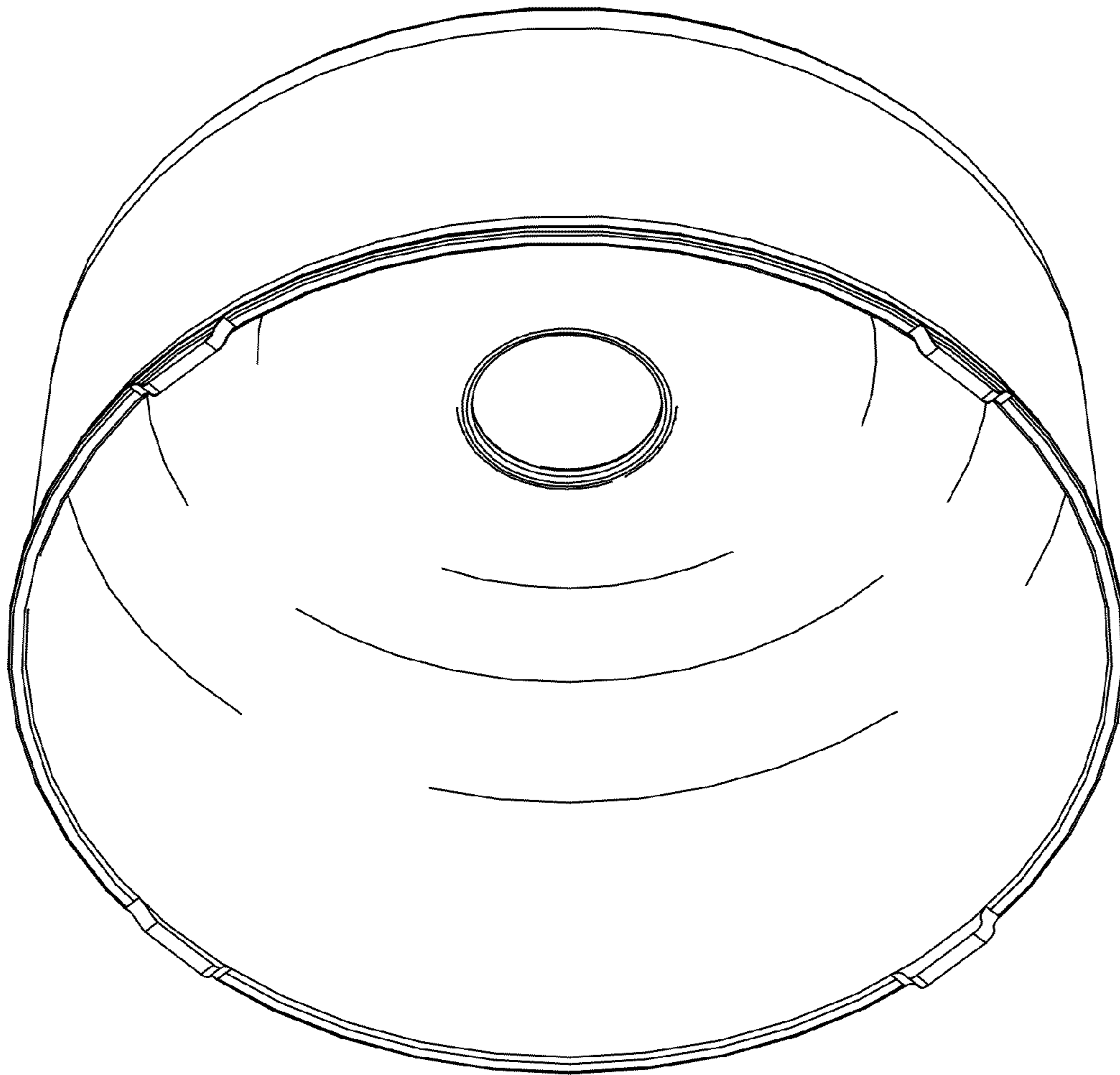


Fig. 8

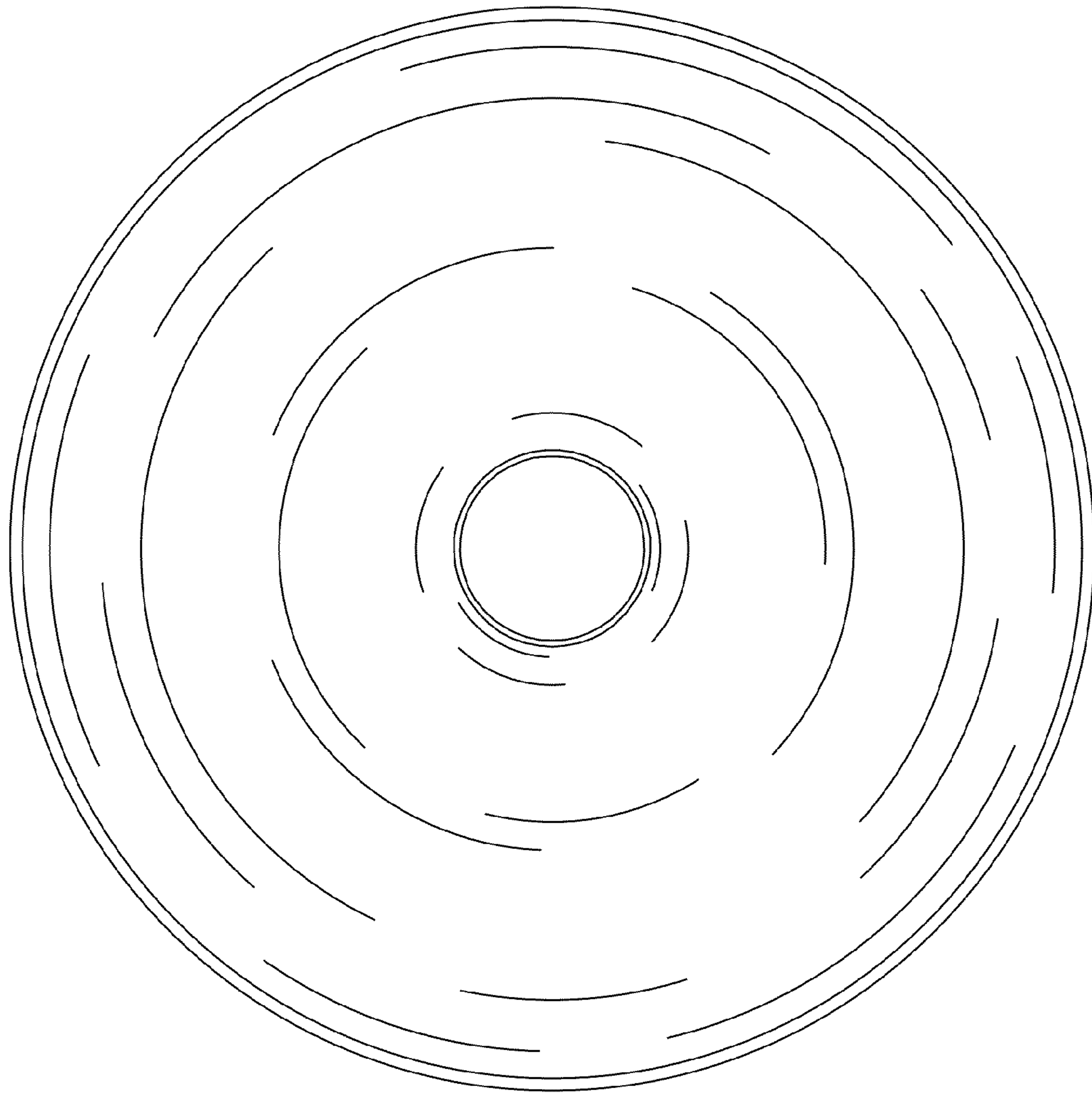


Fig. 9

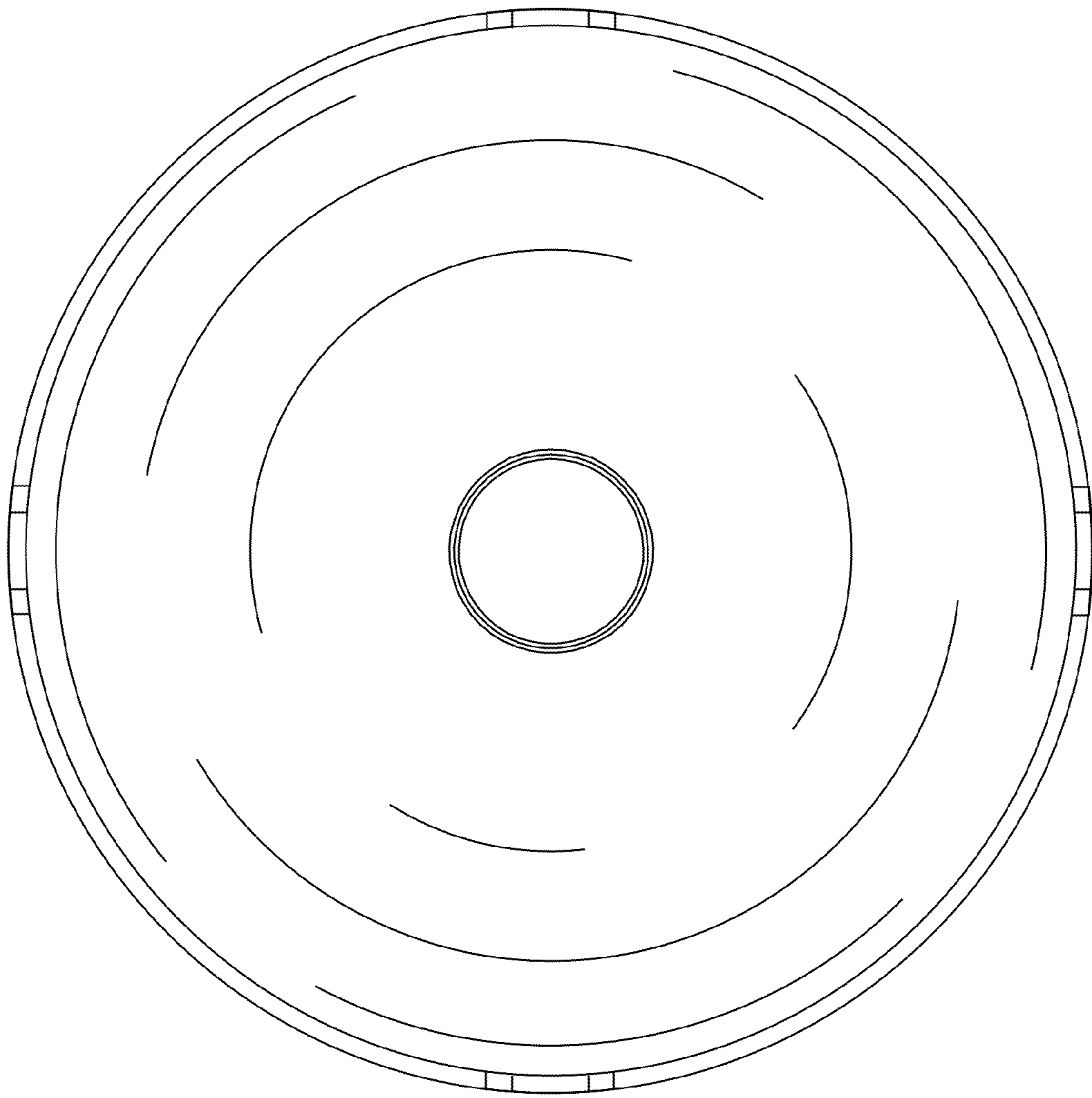


Fig. 10

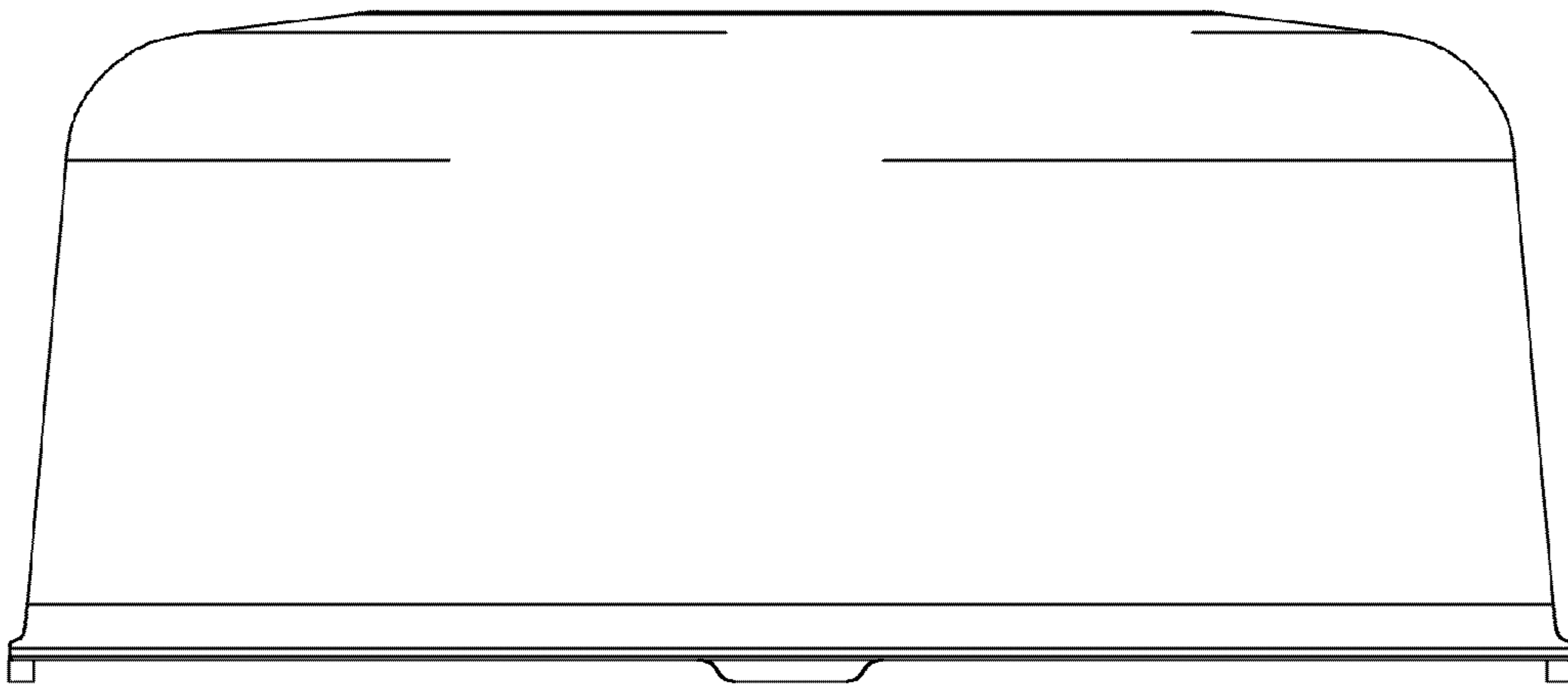


Fig. 11

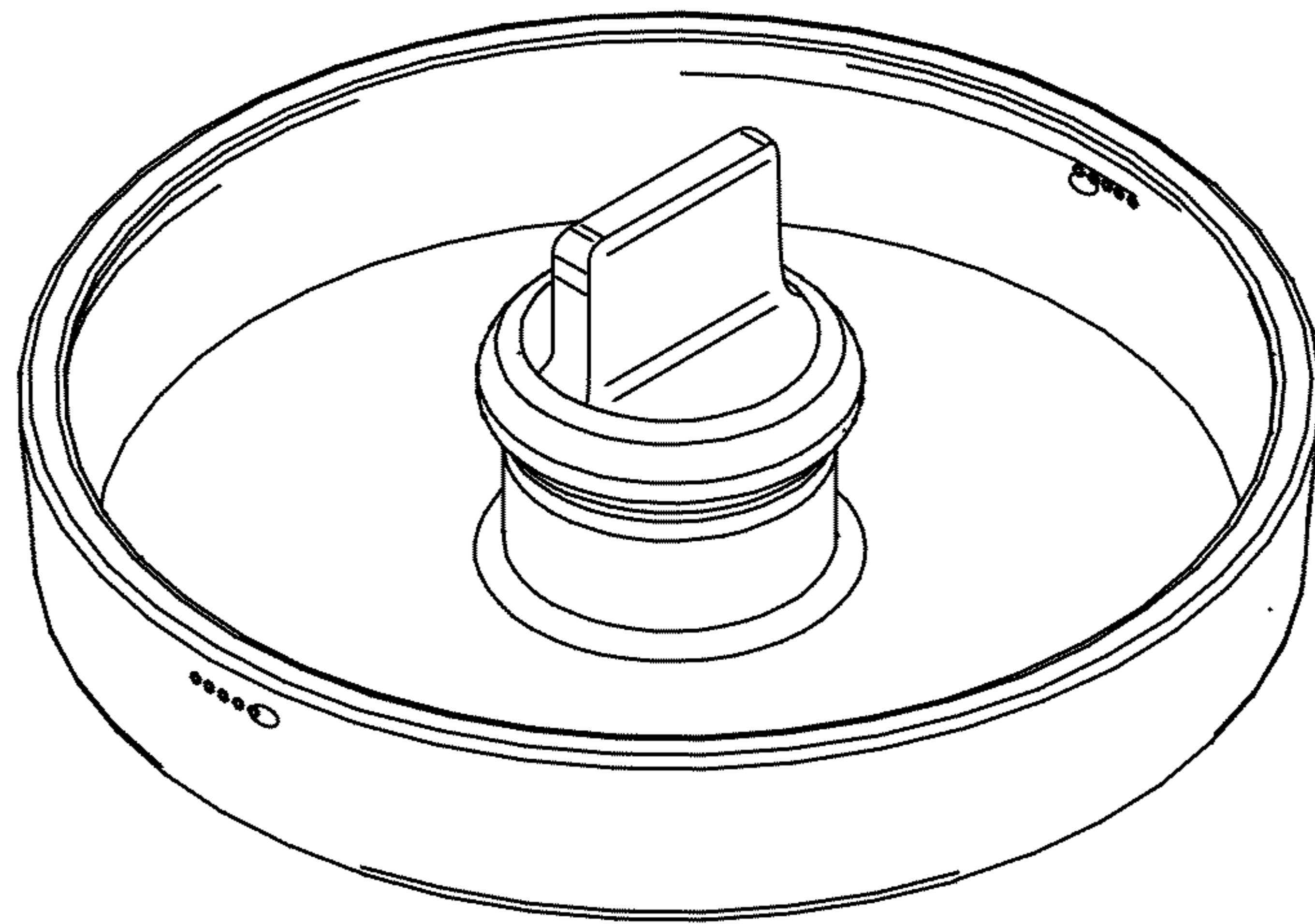


Fig. 12

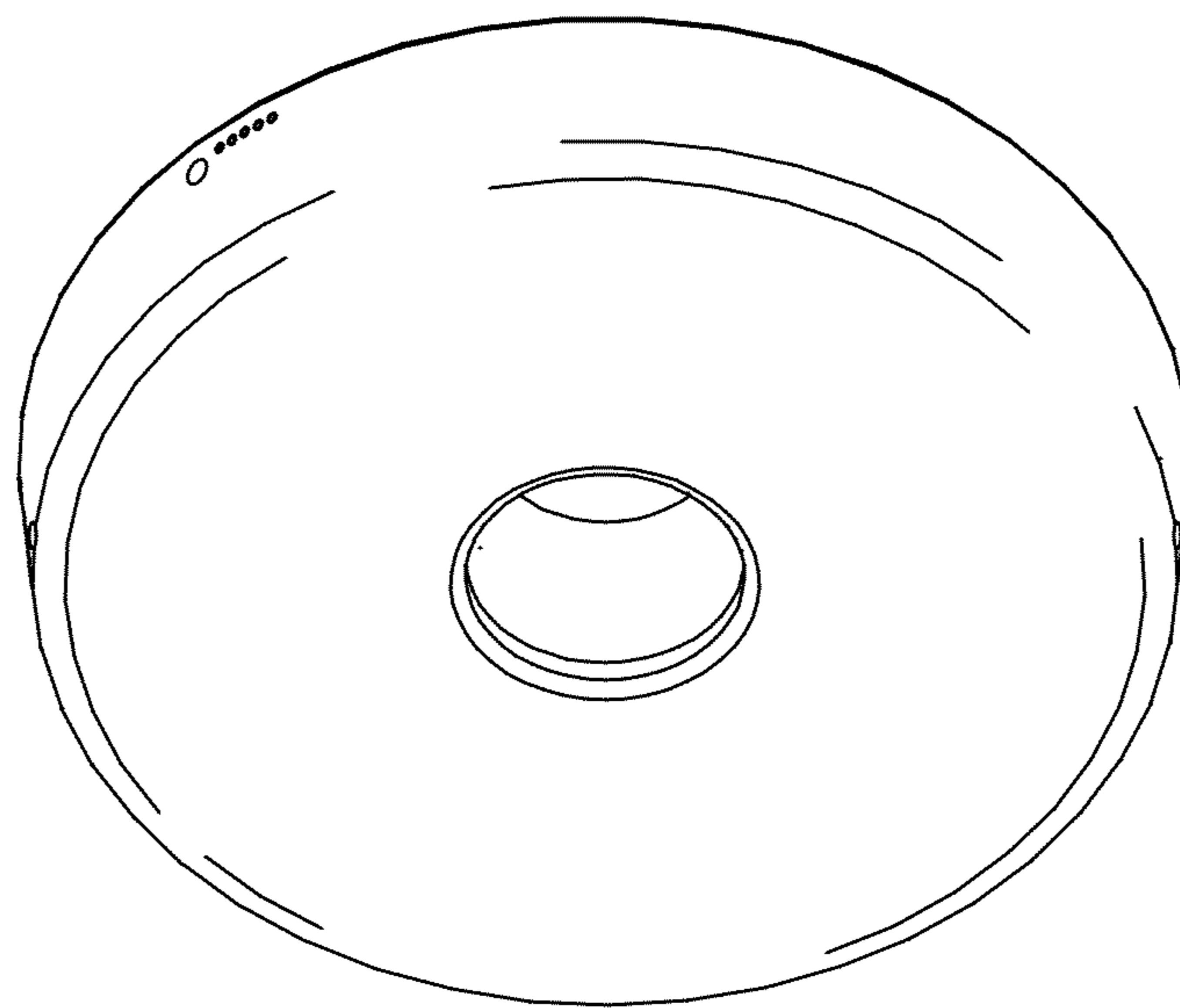


Fig. 13

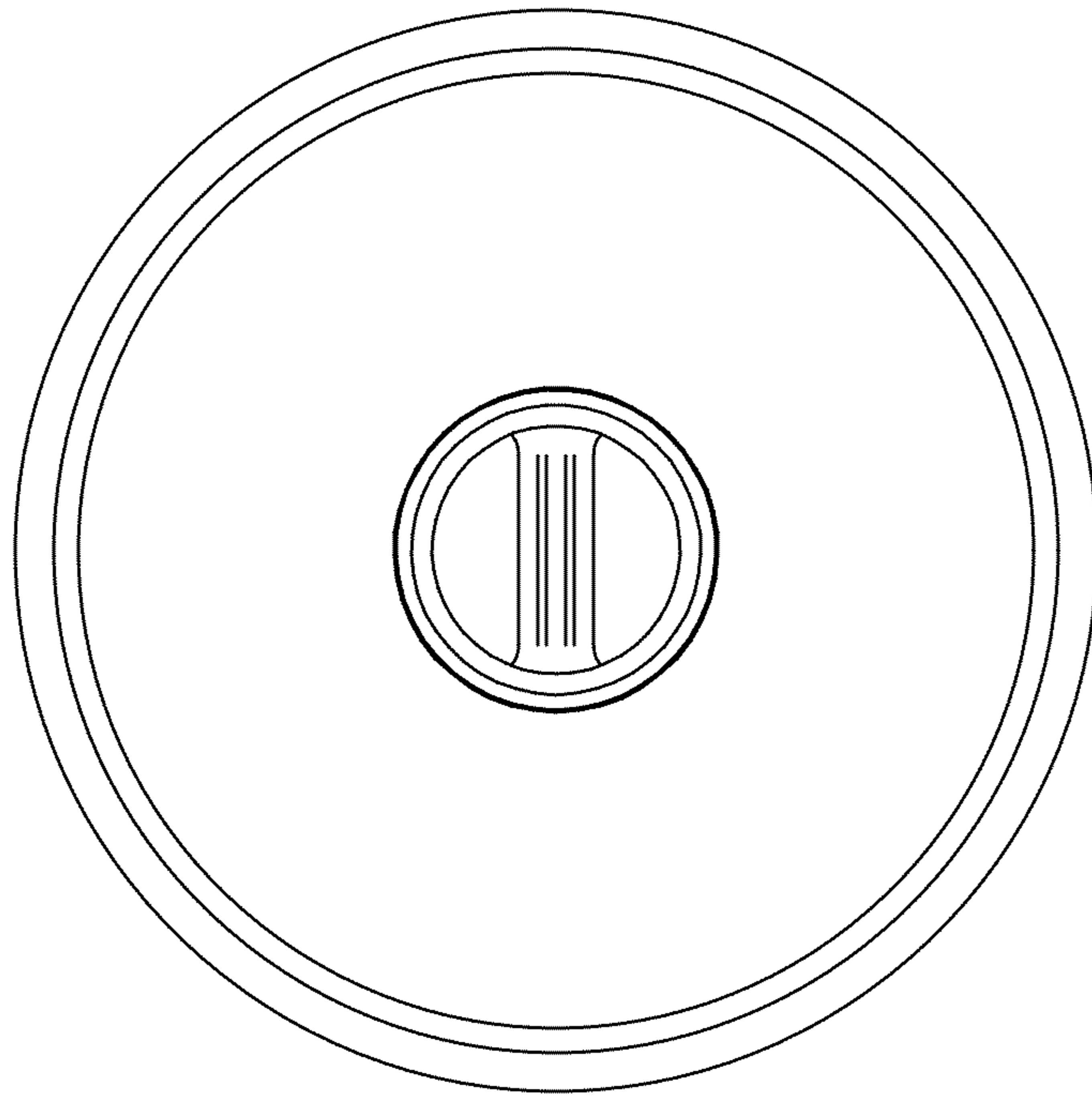


Fig. 14

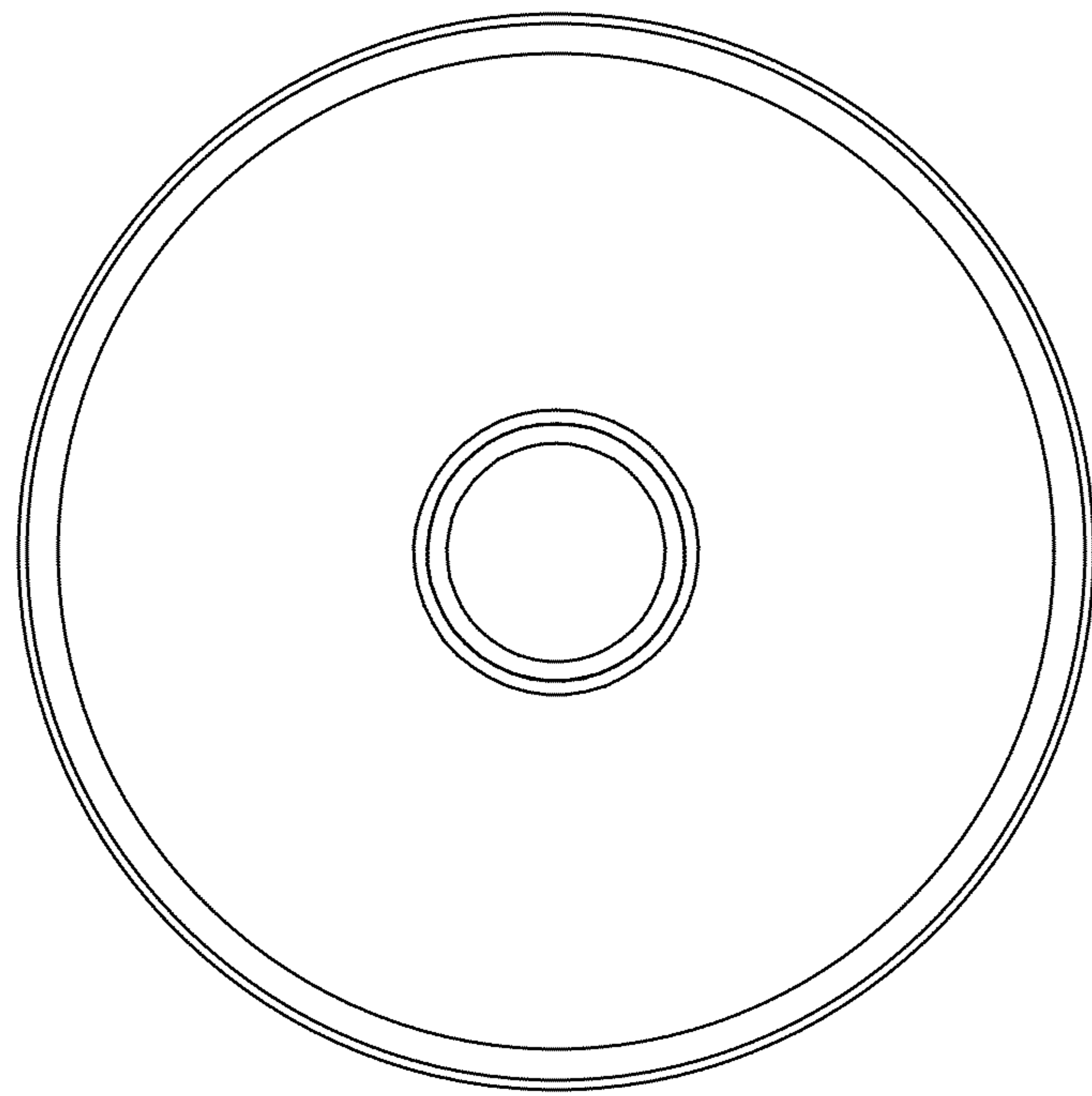


Fig. 15

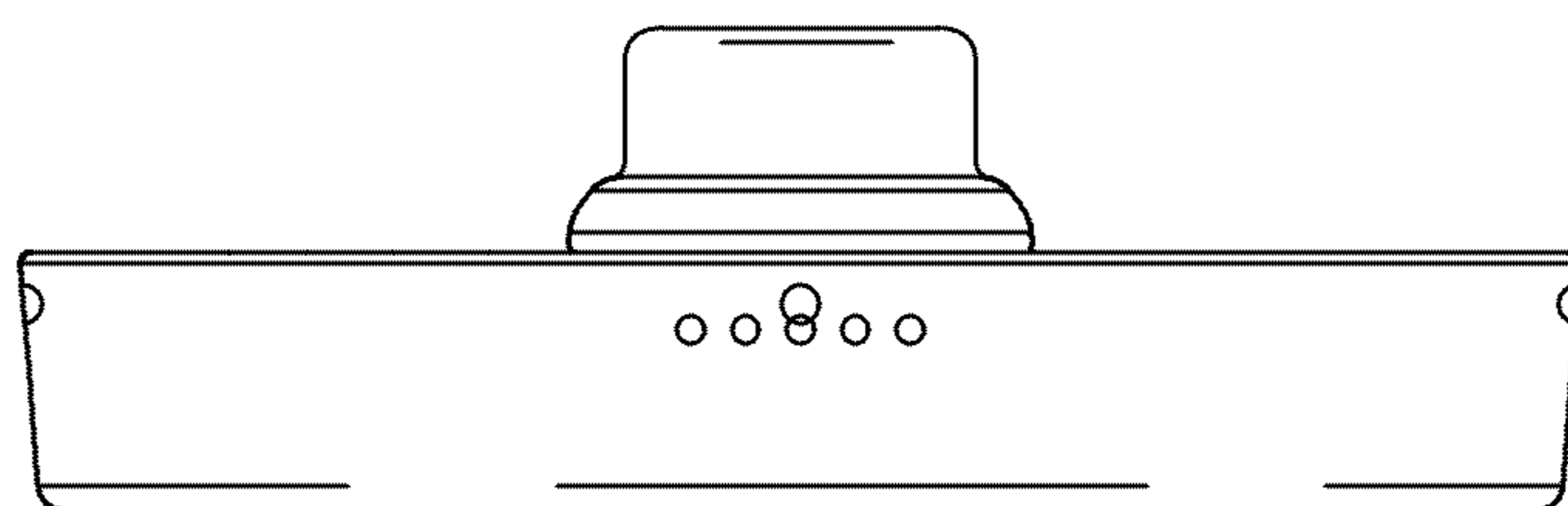


Fig. 16

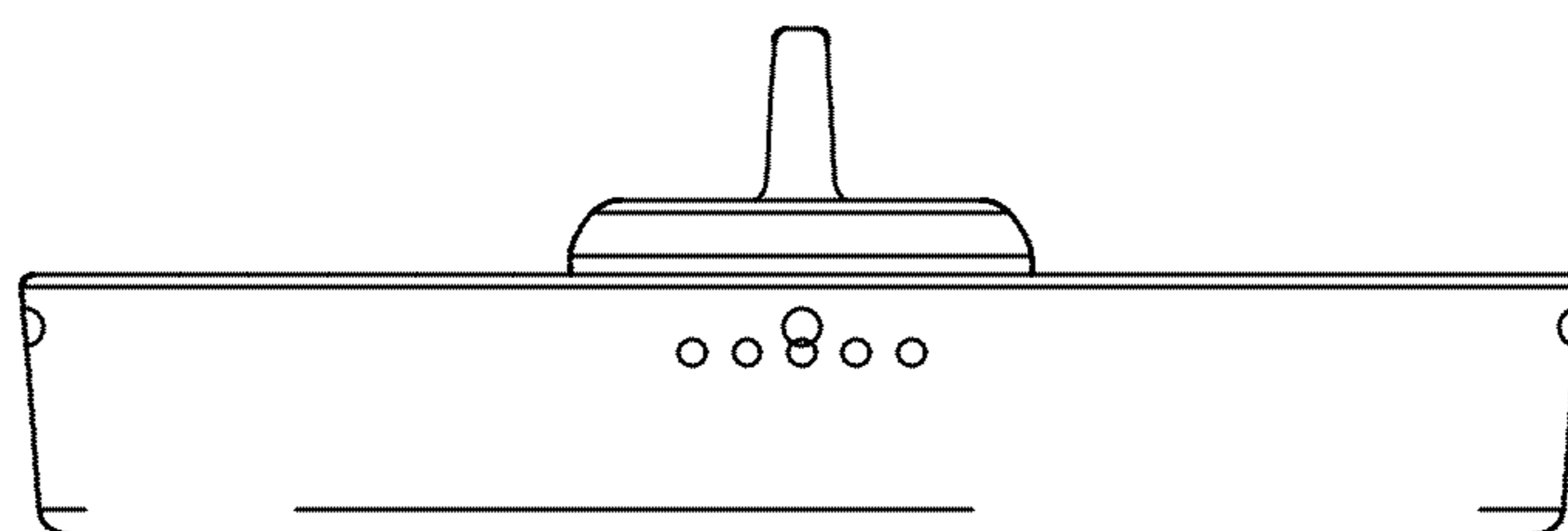


Fig. 17