



US00D701420S

(12) **United States Design Patent**
Benoit et al.

(10) **Patent No.:** **US D701,420 S**
(45) **Date of Patent:** **** Mar. 25, 2014**

- (54) **MIXER BOWL**
- (71) Applicant: **Whirlpool Corporation**, Benton Harbor, MI (US)
- (72) Inventors: **Kaitlyn M. Benoit**, Saint Joseph, MI (US); **Vincent L. Haley**, Lawrence, MI (US)
- (73) Assignee: **Whirlpool Corporation**, Benton Harbor, MI (US)
- (**) Term: **14 Years**
- (21) Appl. No.: **29/447,351**
- (22) Filed: **Mar. 1, 2013**
- (51) **LOC (10) Cl.** **31-00**
- (52) **U.S. Cl.**
USPC **D7/379; D7/376; D7/384**
- (58) **Field of Classification Search**
USPC D7/301–313, 316–326, 354–357, 368, D7/372–386, 391–398, 402, 412–415, 503, D7/515, 543, 584–587, 665–666, 679, D7/691–693; D9/424; 99/280, 326, 348, 99/492, 508–512; 241/30–37.5, 82.1, 92, 241/98, 101.01–101.2, 166–169.1, 172, 241/272, 285.1–285.3, 291, 292.1; 366/64–67, 98, 129, 142–144, 169.1, 366/192–211, 241–254, 262, 279–292, 366/325.8, 325.92, 341–347; 416/75–77, 416/70 R, 163
See application file for complete search history.

(56) **References Cited**

U.S. PATENT DOCUMENTS

D283,193 S *	4/1986	Daenen	D7/317
D383,646 S *	9/1997	Jeppesen et al.	D7/584
D387,610 S *	12/1997	Hippen et al.	D7/379
D442,437 S *	5/2001	Wright	D7/543
D480,604 S *	10/2003	Lillelund et al.	D7/543

D499,604 S *	12/2004	Hooper et al.	D7/379
D509,106 S *	9/2005	de Groote et al.	D7/587
D522,313 S *	6/2006	Oyler et al.	D7/543
D524,589 S *	7/2006	Sellers et al.	D7/316
D530,146 S *	10/2006	Ball et al.	D7/379
D560,434 S *	1/2008	Feil	D7/413
D565,356 S *	4/2008	Mellen et al.	D7/586
D565,357 S *	4/2008	Chan	D7/586
7,690,835 B2 *	4/2010	Schnipke et al.	366/207
D626,790 S *	11/2010	Gibson et al.	D7/584
D628,443 S *	12/2010	McTaggart	D7/587
D629,264 S *	12/2010	Curtin	D7/665
D633,334 S *	3/2011	Kaiser et al.	D7/379
D646,925 S *	10/2011	Okajima et al.	D7/402
D652,258 S *	1/2012	Lee et al.	D7/543
D652,290 S *	1/2012	Lonergan et al.	D9/424
D668,915 S *	10/2012	Drees	D7/586
D682,619 S *	5/2013	Lee et al.	D7/543
D689,730 S *	9/2013	Goto et al.	D7/354
2005/0141340 A1 *	6/2005	Donthnier et al.	366/207
2009/0109792 A1 *	4/2009	Ciancimino et al.	366/142

* cited by examiner

Primary Examiner — Ricky Pham

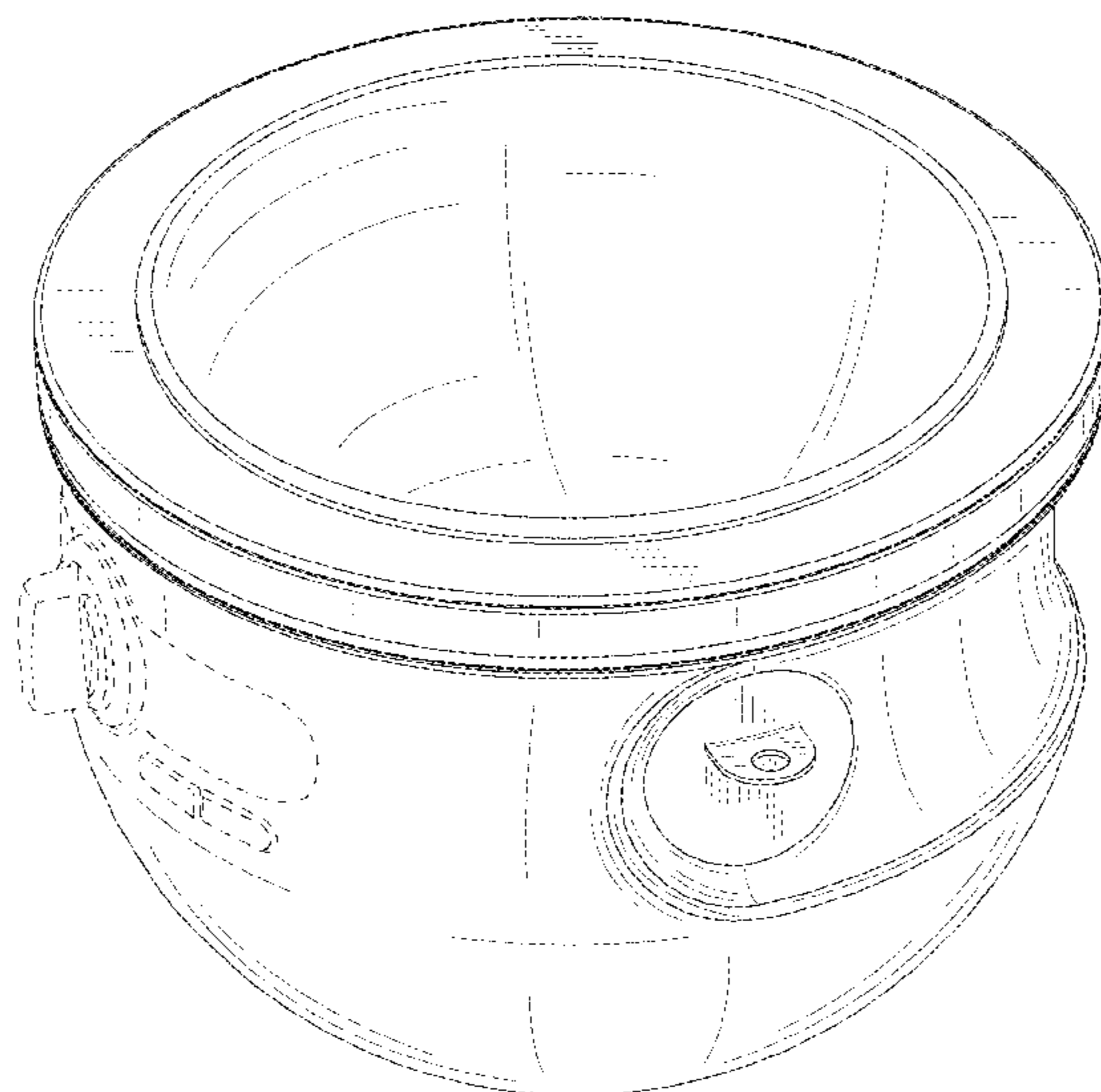
(57) **CLAIM**

The ornamental design for a mixer bowl, as shown and described.

DESCRIPTION

FIG. 1 is a top perspective view of a mixer bowl showing our new design;
 FIG. 2 is a first side elevational view of the mixer bowl of FIG. 1;
 FIG. 3 is a second side elevational view of the mixer bowl of FIG. 1;
 FIG. 4 is a third side elevational view of the mixer bowl of FIG. 1;
 FIG. 5 is a fourth side elevational view of the mixer bowl of FIG. 1;
 FIG. 6 is a top plan view of the mixer bowl of FIG. 1; and,
 FIG. 7 is a bottom plan view of the mixer bowl of FIG. 1.

1 Claim, 7 Drawing Sheets



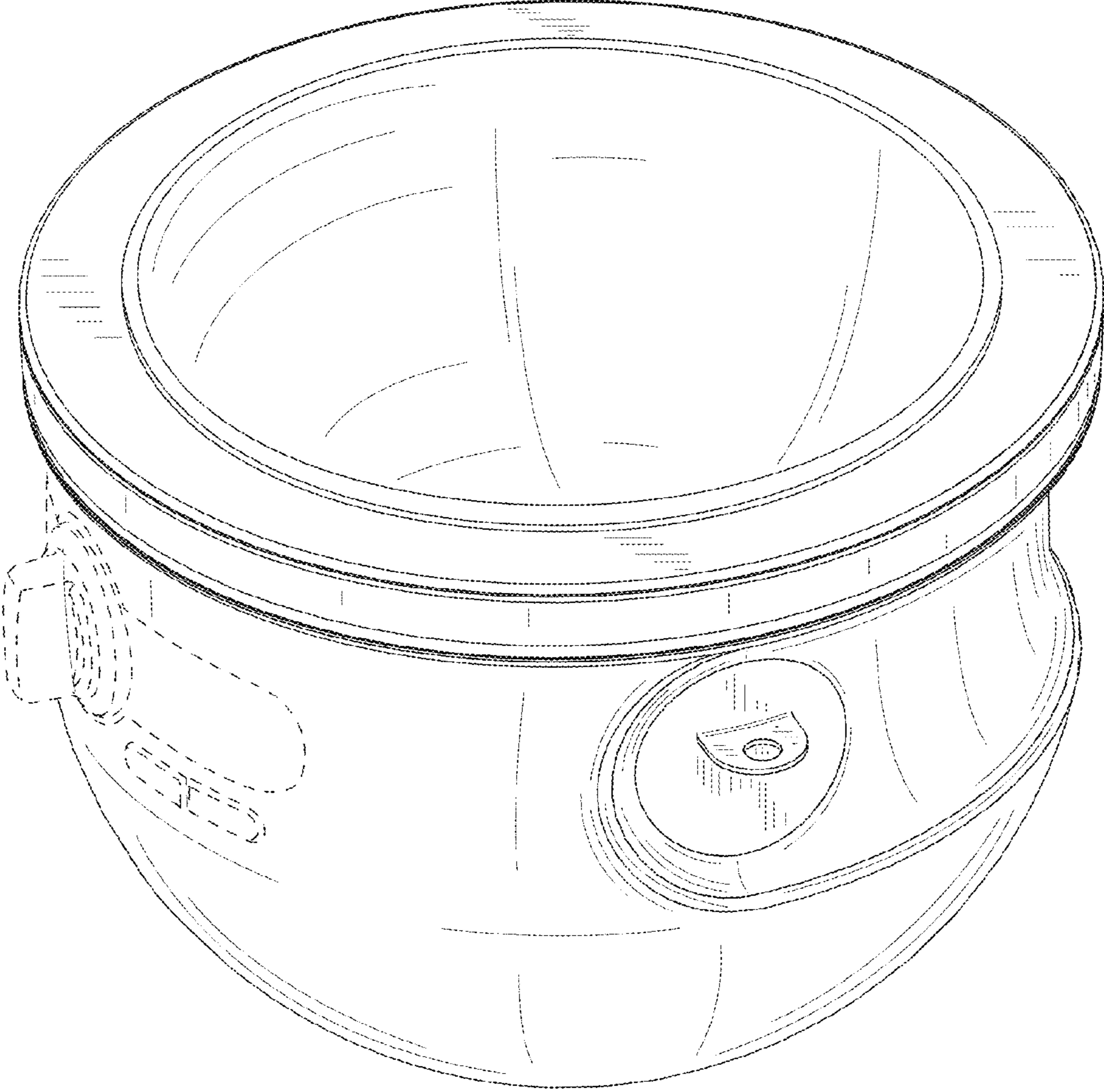


FIG. 1

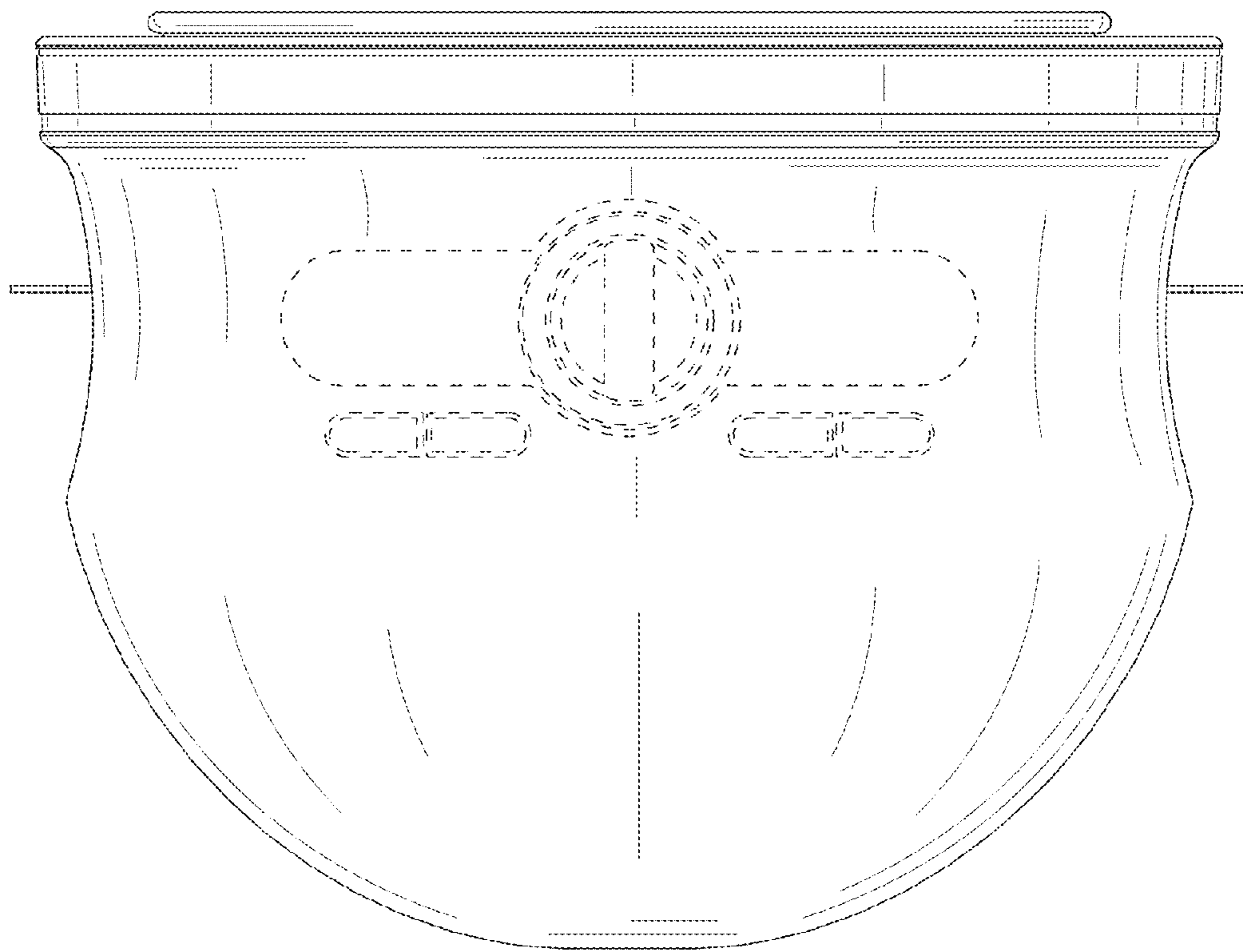


FIG. 2

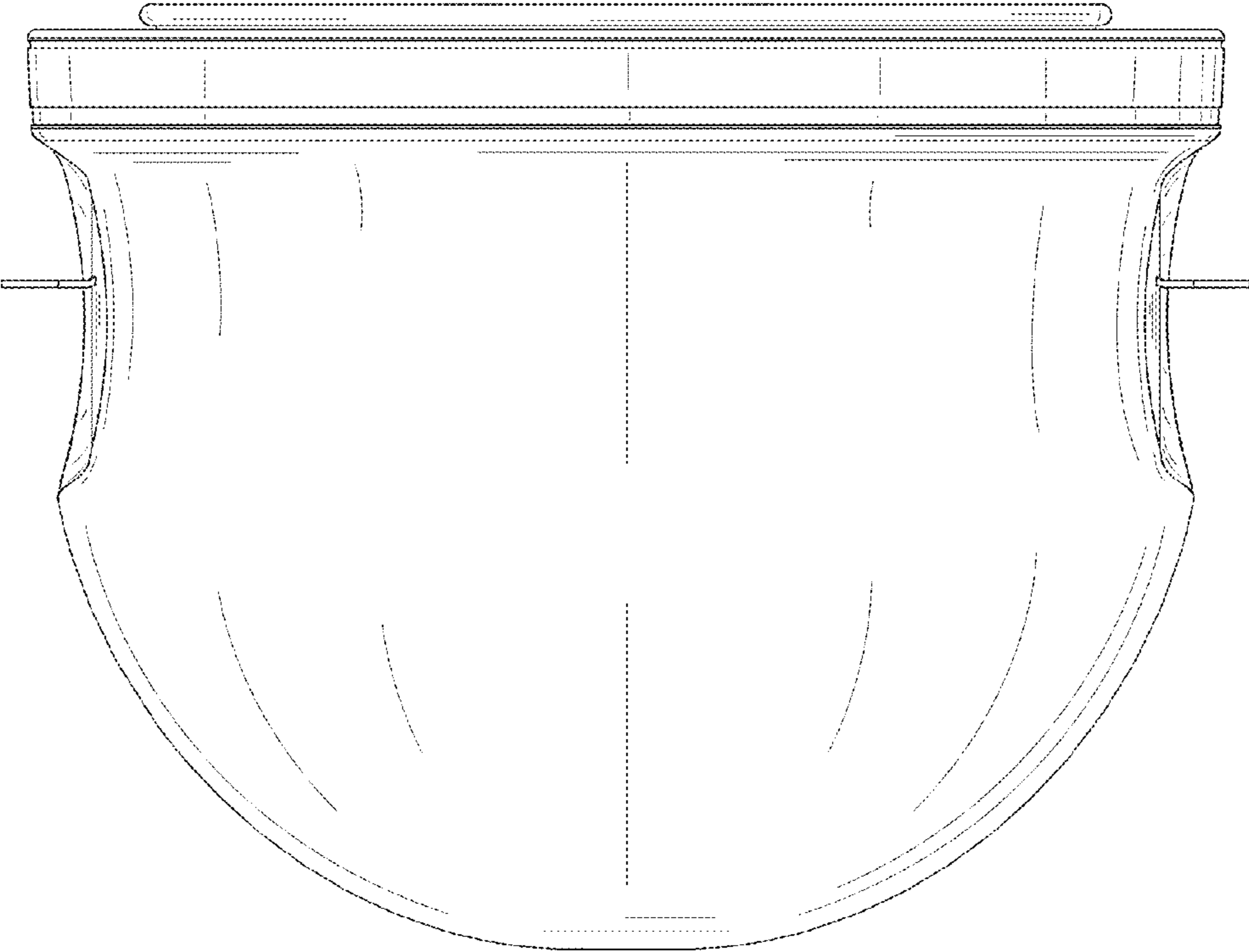


FIG. 3

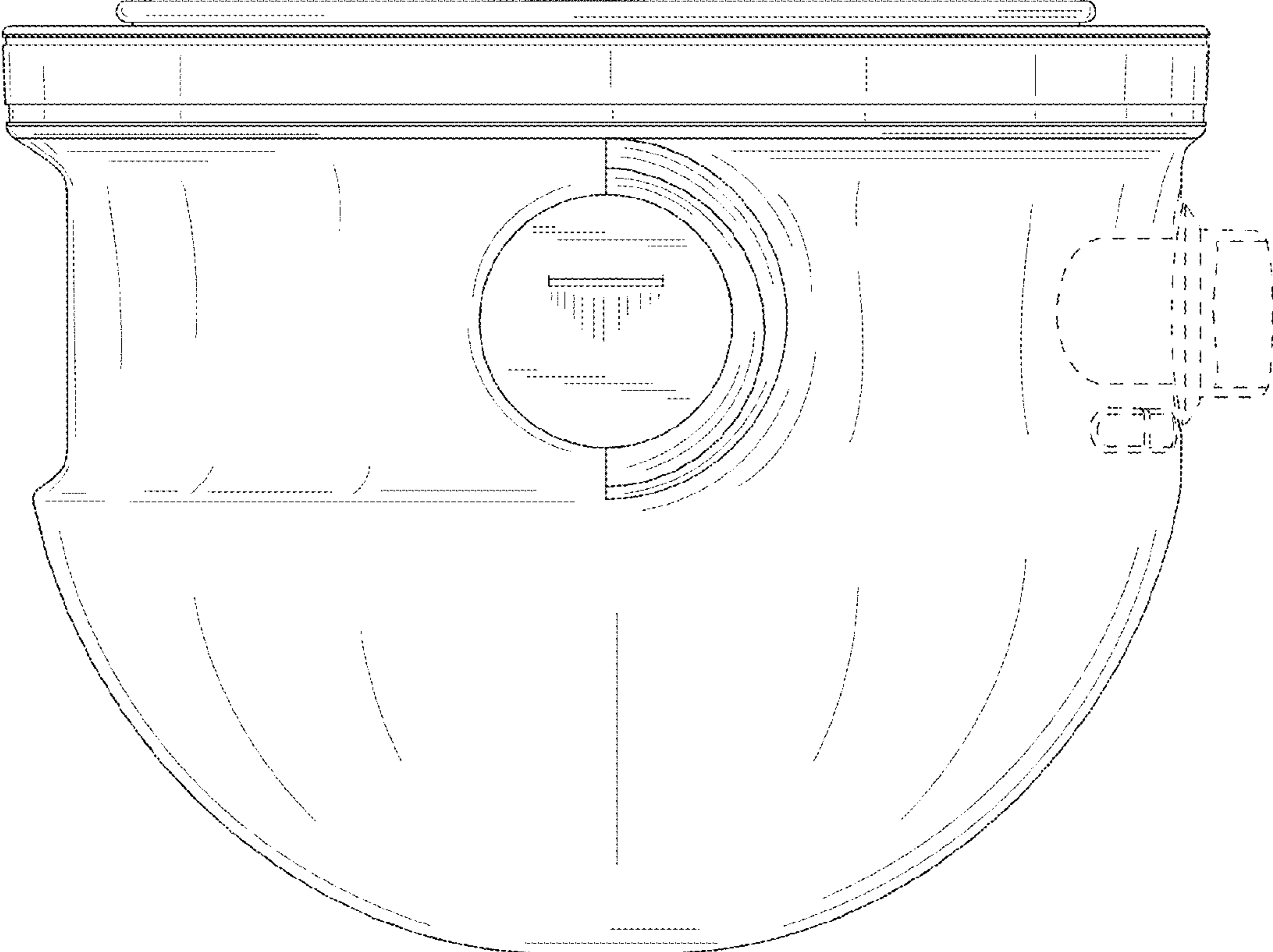


FIG. 4

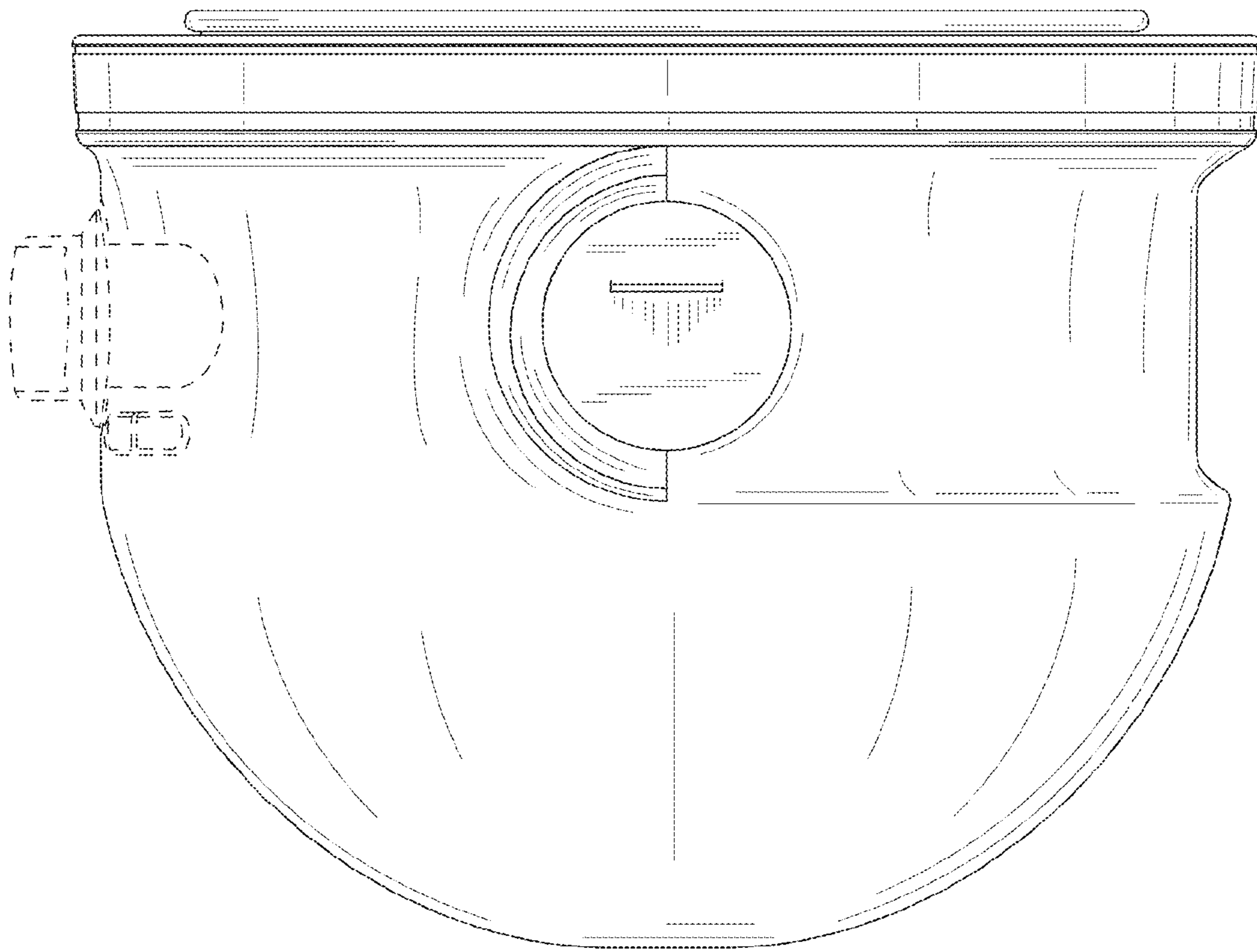


FIG. 5

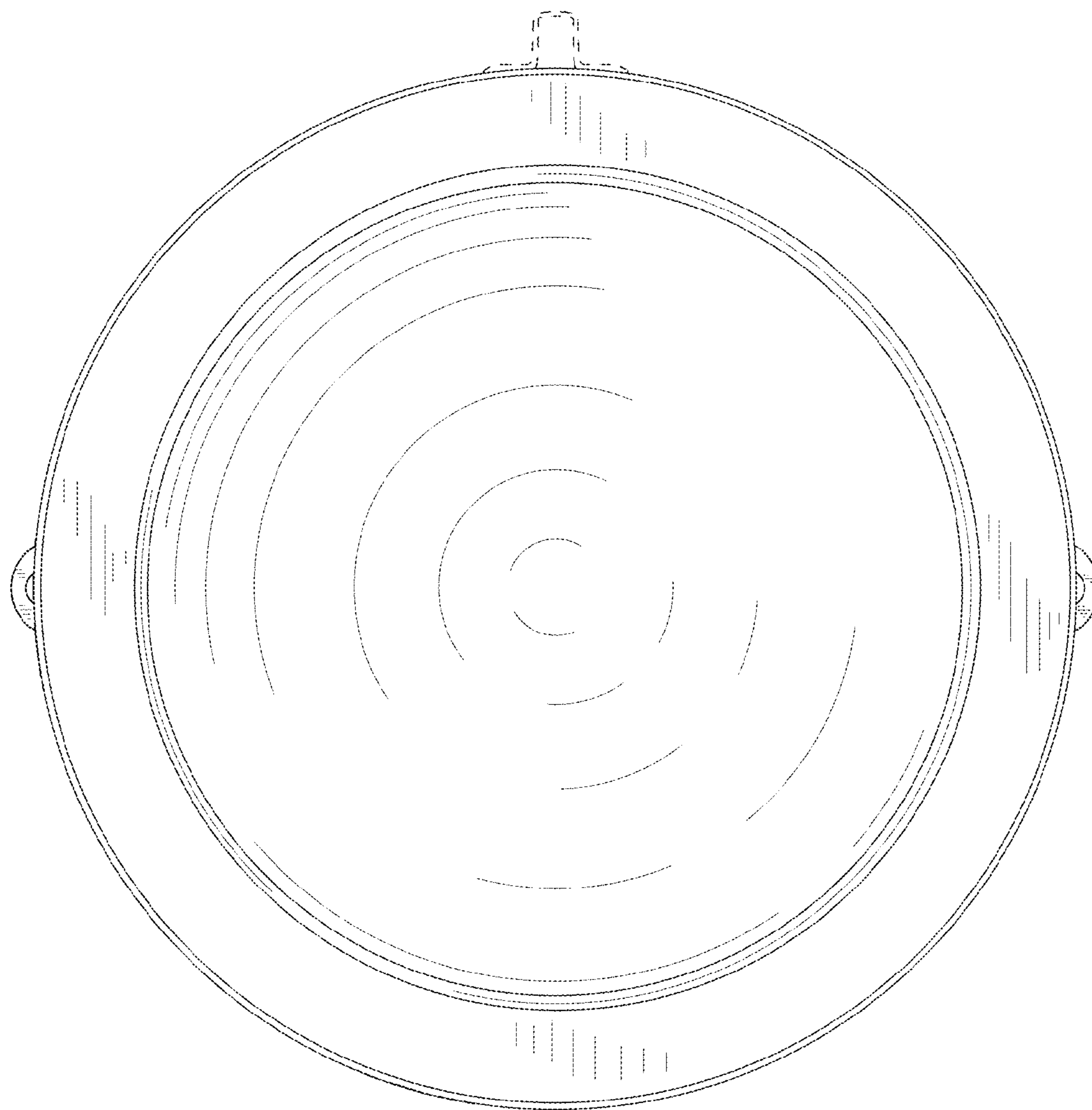


FIG. 6

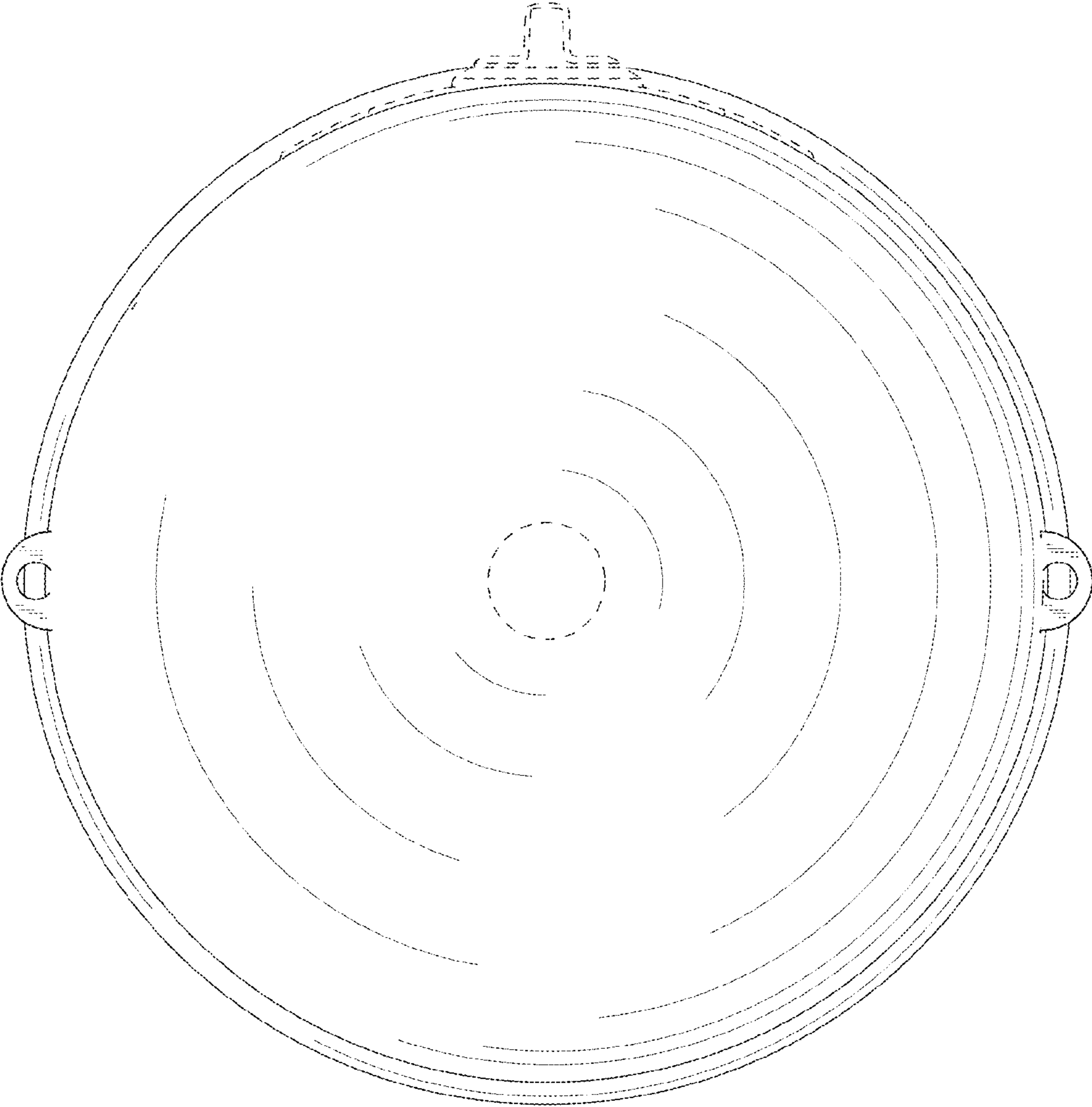


FIG. 7