



US00D701416S

(12) **United States Design Patent**
Day et al.

(10) **Patent No.:** **US D701,416 S**
(45) **Date of Patent:** **** Mar. 25, 2014**

(54) **SLOW COOKER**

(75) Inventors: **Adam Day**, Boynton Beach, FL (US);
Suzuko Hisata, Atlanta, GA (US)

(73) Assignee: **Sunbeam Products, Inc.**, Boca Raton,
FL (US)

(**) Term: **14 Years**

(21) Appl. No.: **29/413,077**

(22) Filed: **Feb. 10, 2012**

(51) **LOC (10) Cl.** **07-02**

(52) **U.S. Cl.**
USPC **D7/354**

(58) **Field of Classification Search**
USPC D7/307, 323, 329-332, 339, 346-347,
D7/350.1-350.4, 353-367, 391-392,
D7/392.1, 393, 395, 402, 406, 409,
D7/538-542, 600, 610-611; 99/324-325,
99/331-343, 369, 400-418, 422, 425, 426,
99/440, 451, 483; 126/37 R, 261, 374.1,
126/378.1, 381.1, 385.1; 206/501-505,
206/507-508; 219/400, 405, 429-442,
219/620-624, 725, 730-735; 220/203.05,
220/203.07, 203.09, 298, 315-316,
220/573.1-573.5, 912; 426/438, 441

See application file for complete search history.

(56) **References Cited**

U.S. PATENT DOCUMENTS

D433,869	S	*	11/2000	Wong et al.	D7/360
D556,504	S	*	12/2007	Averty	D7/360
D568,676	S	*	5/2008	Steiner et al.	D7/354
D590,654	S	*	4/2009	Perkins et al.	D7/354
D606,803	S	*	12/2009	Picozza et al.	D7/354
D635,818	S	*	4/2011	Tse	D7/357
D641,202	S	*	7/2011	Bock et al.	D7/357
D644,476	S	*	9/2011	Gregory et al.	D7/354
D646,114	S	*	10/2011	Wong	D7/357
D657,993	S	*	4/2012	Pantaleo	D7/357
D682,009	S	*	5/2013	Day et al.	D7/354
2004/0079747	A1	*	4/2004	Wang	219/438
2007/0210062	A1	*	9/2007	Gaynor et al.	219/442

* cited by examiner

Primary Examiner — Ricky Pham

(74) *Attorney, Agent, or Firm* — Michael J. Corrigan

(57) **CLAIM**

The ornamental design for the slow cooker, as shown and described.

DESCRIPTION

FIG. 1 is a front perspective view of the slow cooker;
FIG. 2 is a front view thereof;
FIG. 3 is a rear view thereof;
FIG. 4 is left side view thereof;
FIG. 5 is a right side view thereof; and,
FIG. 6 is a top view thereof.
The portion shown in dashed lines is shown for illustrative purposes only and forms no part of the claimed design.

1 Claim, 4 Drawing Sheets

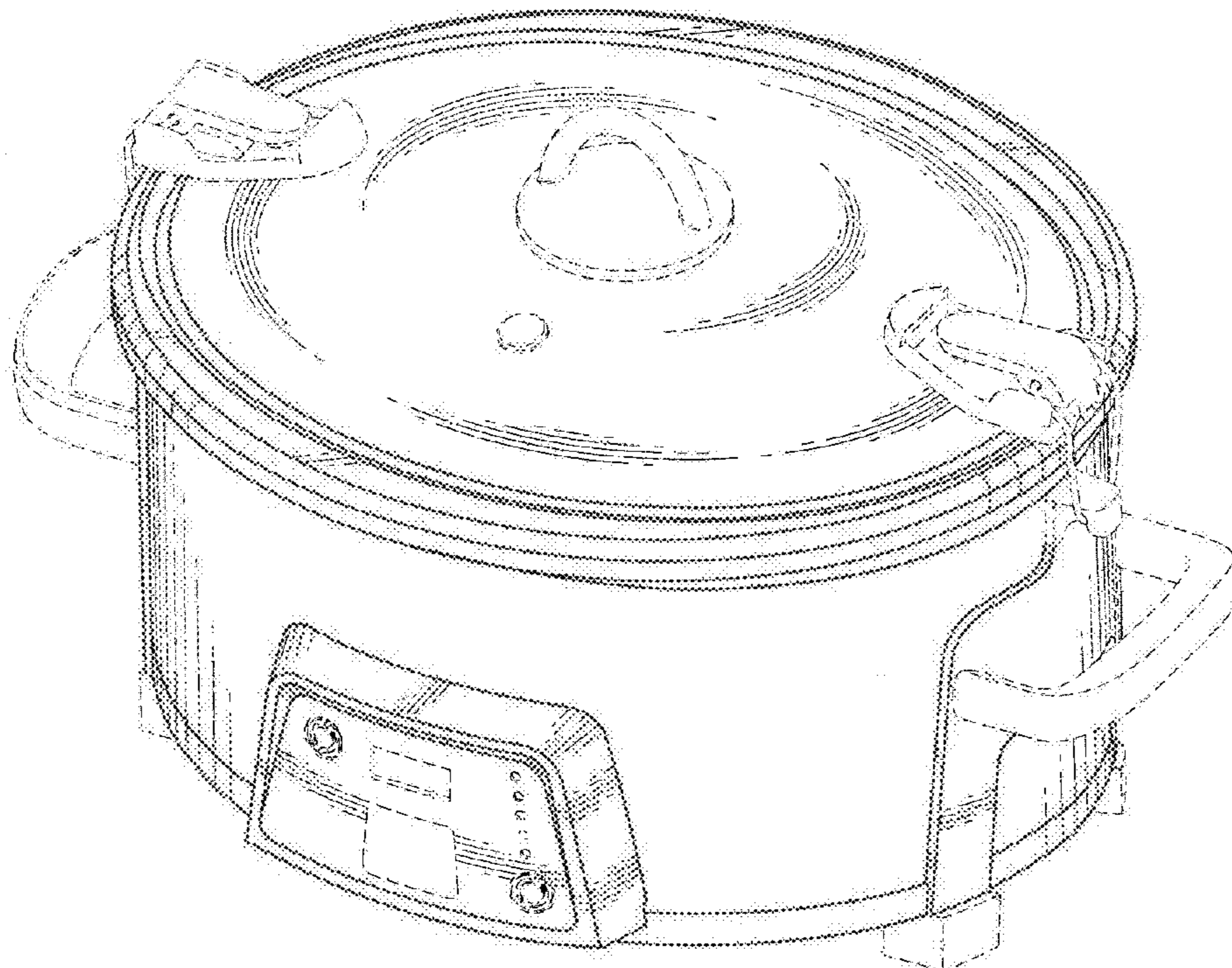


FIG. 1

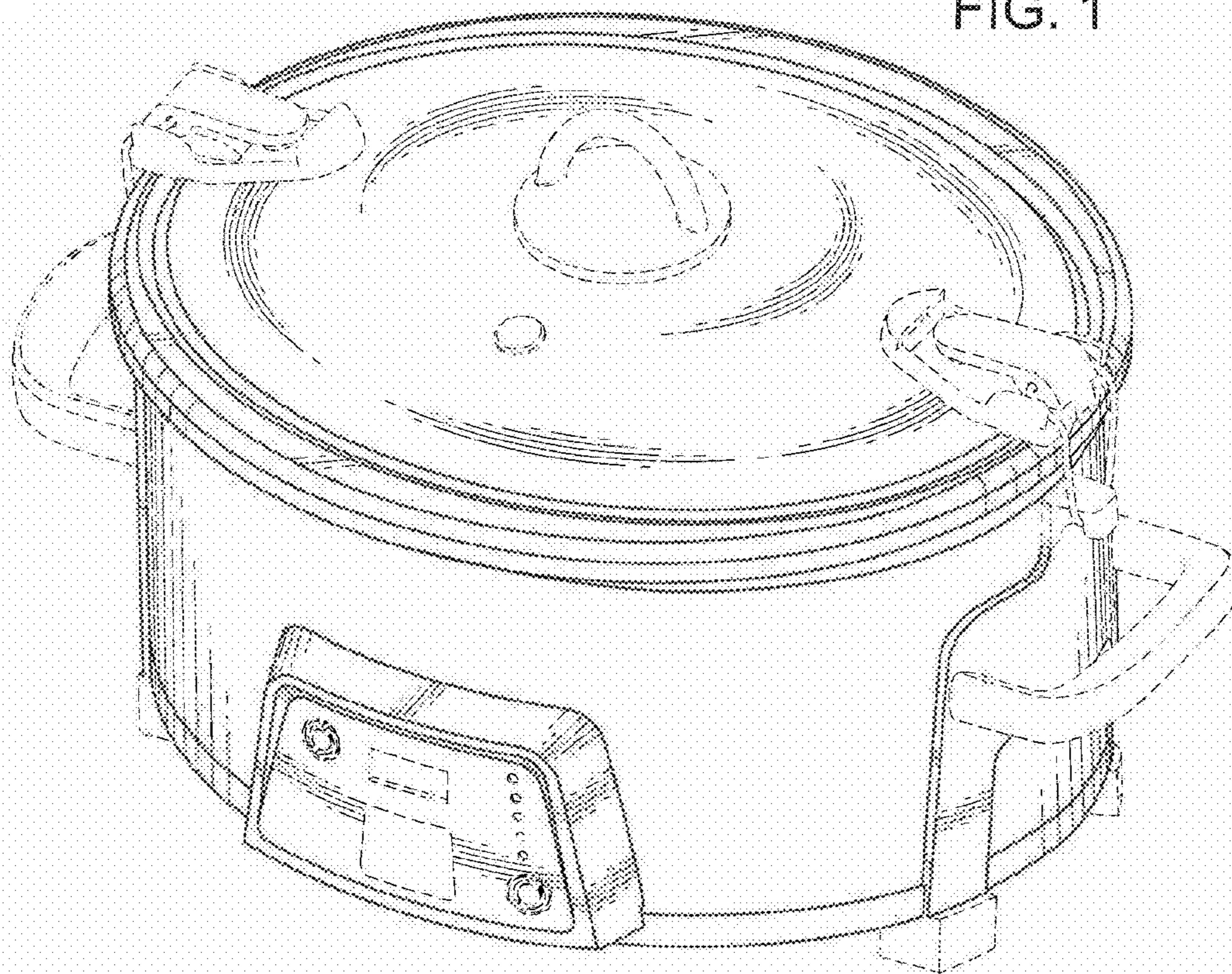


FIG. 2

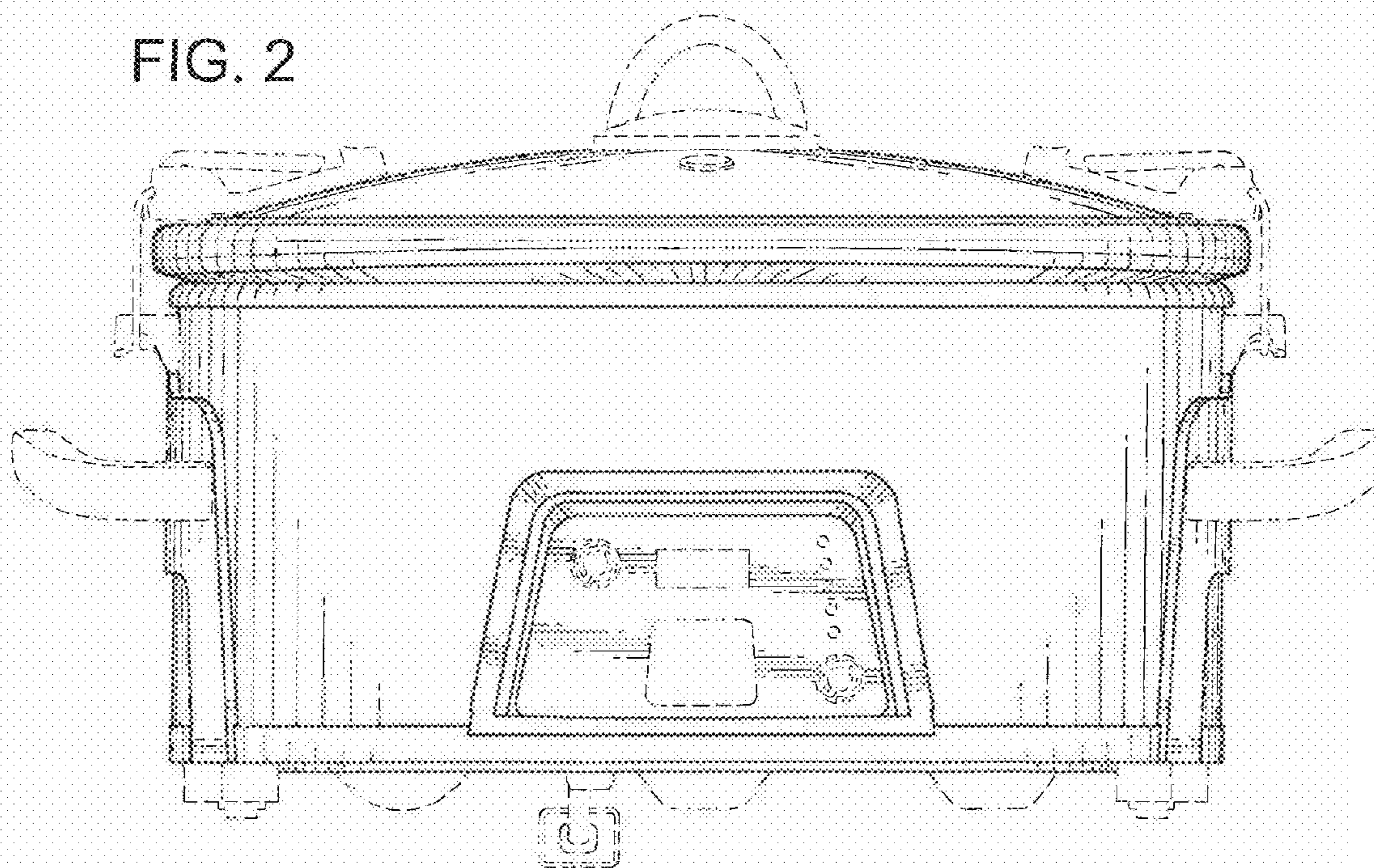


FIG. 3

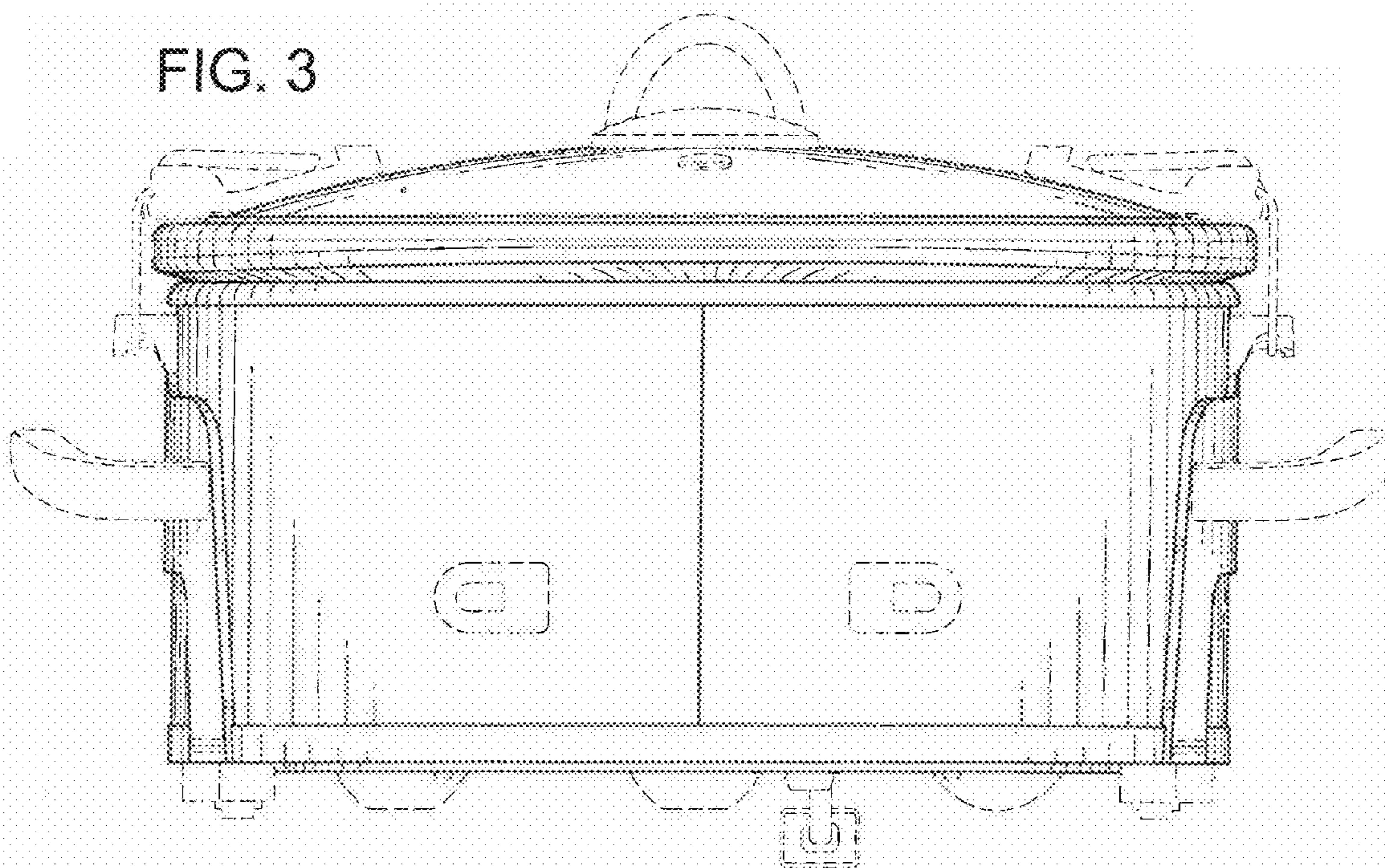


FIG. 4

