



US00D701414S

(12) **United States Design Patent**  
**Hill**

(10) **Patent No.:** **US D701,414 S**  
(45) **Date of Patent:** **\*\* Mar. 25, 2014**

- (54) **COOKTOP WITH GRAPHICALLY-SIMULATED THREE-DIMENSIONAL EFFECT**
- (75) Inventor: **Eric Andrew Hill**, Holland, MI (US)
- (73) Assignee: **Whirlpool Corporation**, Benton Harbor, MI (US)
- (\*\*) Term: **14 Years**
- (21) Appl. No.: **29/430,592**
- (22) Filed: **Aug. 28, 2012**
- (51) **LOC (10) Cl.** ..... **07-02**
- (52) **U.S. Cl.**  
USPC ..... **D7/346; D7/407**
- (58) **Field of Classification Search**  
USPC ..... D5/7, 53, 56, 60; D7/323, 336, 337, D7/339, 340, 346, 347, 348, 402-409, 387, D7/388; D2/502; D29/119; D21/705; 248/176.2, 152; 428/30; 431/326, 10; 501/95.1; 219/460.1-464.1, 506, 219/621-624, 627, 480, 483, 445.1, 660, 219/665, 448.12; 126/39 A, 39 R, 39 J, 211, 126/214 A, 214 C, 215-218, 152 R; 307/104; 99/340, 342, 339; 432/176  
See application file for complete search history.

(56) **References Cited**

**U.S. PATENT DOCUMENTS**

D4,358 S *	9/1870	Landenberger	.....	D2/502
D103,864 S *	3/1937	Tyson	.....	D5/60
D109,456 S *	4/1938	Miller	.....	D5/60
D149,737 S *	5/1948	Burton et al.	.....	D5/7
D188,780 S *	9/1960	Kates	.....	D7/409
2,958,148 A *	11/1960	Sylvester et al.	.....	428/30

D236,790 S *	9/1975	Bruno et al.	.....	D7/388
5,989,013 A *	11/1999	Gray	.....	431/326
D433,875 S *	11/2000	Schroeter	.....	D7/409
D515,824 S *	2/2006	Leisch et al.	.....	D5/53
D517,743 S *	3/2006	Perrin	.....	D29/119
D525,437 S *	7/2006	Leisch et al.	.....	D5/53
D525,483 S *	7/2006	Schutts	.....	D7/407
D541,486 S *	4/2007	Mahaffey	.....	D29/119
D568,683 S *	5/2008	Glynn	.....	D7/407
D569,628 S *	5/2008	Harkenrider	.....	D5/60
D589,707 S *	4/2009	Kannabiran et al.	.....	D5/56
D623,014 S *	9/2010	Alden et al.	.....	D7/409
7,984,885 B2 *	7/2011	Lion et al.	.....	248/176.2
D649,208 S *	11/2011	Crawley et al.	.....	D21/705
D657,958 S *	4/2012	Ehrman et al.	.....	D5/56
2002/0121510 A1 *	9/2002	Petri et al.	.....	219/460.1
2004/0132607 A1 *	7/2004	Wood et al.	.....	501/95.1

\* cited by examiner

*Primary Examiner* — Caron D Veynar  
*Assistant Examiner* — Martie K Holtje

(57) **CLAIM**

I claim the ornamental design for cooktop with graphically-simulated three-dimensional effect, as shown and described.

**DESCRIPTION**

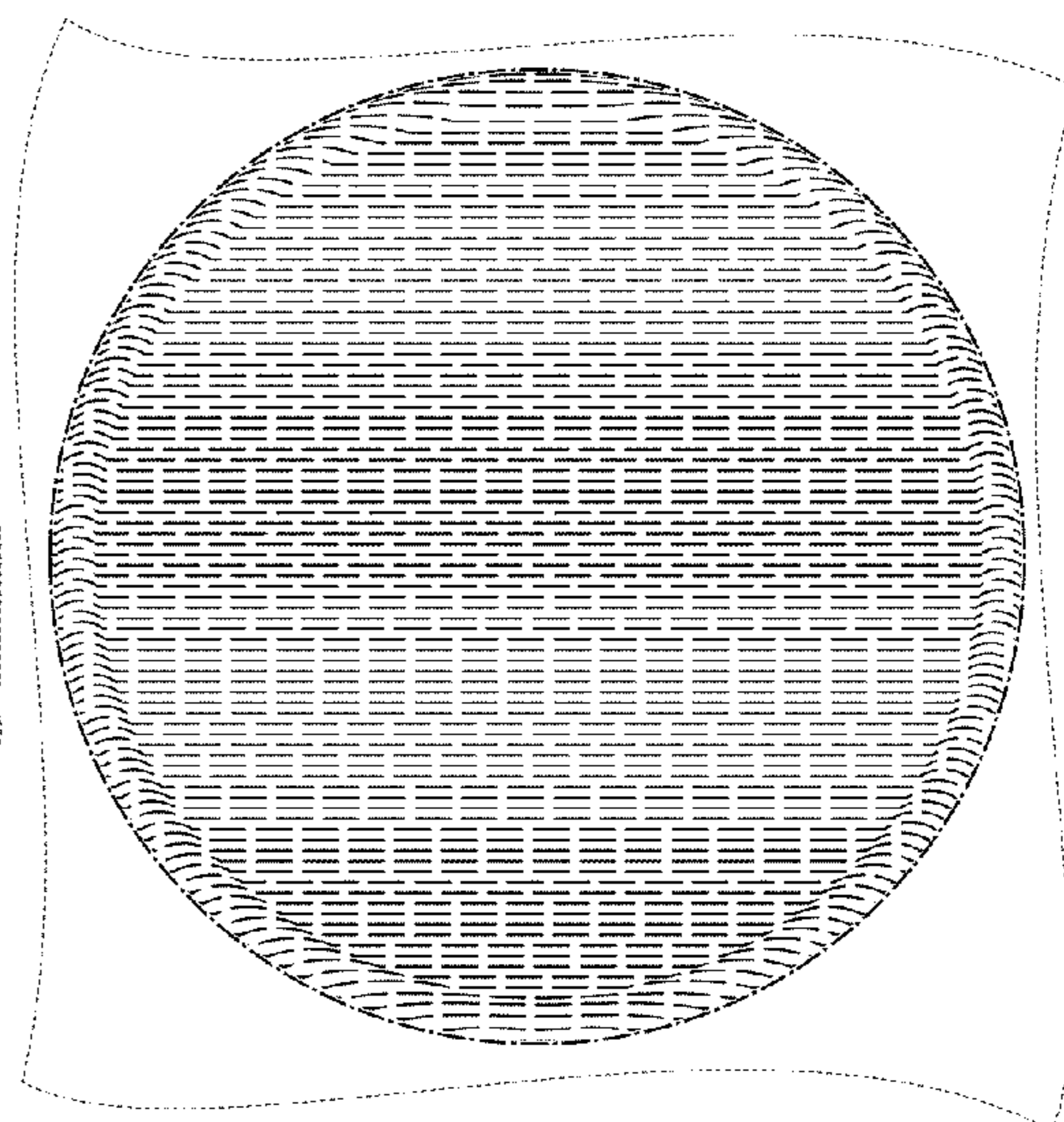
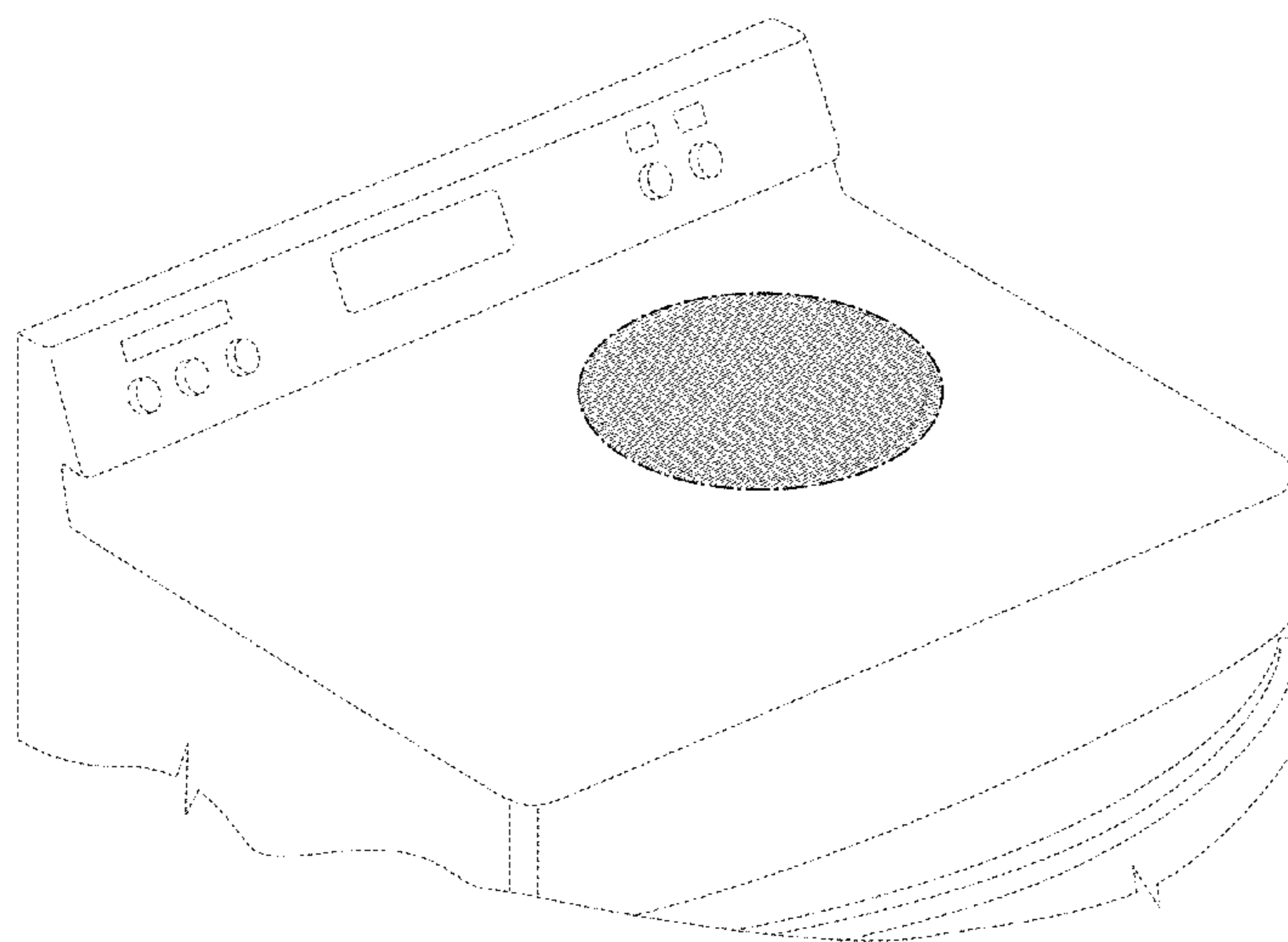
FIG. 1 is a top, left perspective view of a cooktop with a graphically-simulated three-dimensional effect showing my new design; and,

FIG. 2 is a top plan view thereof.

The broken lines depicting the top portions of the cooking oven appliance in the views have been shown for the purpose of illustrating environmental features that form no part of the claimed design.

The broken lines comprised of dots and dashes that encircle the burner element represent the boundaries between claimed and unclaimed subject matter.

**1 Claim, 2 Drawing Sheets**



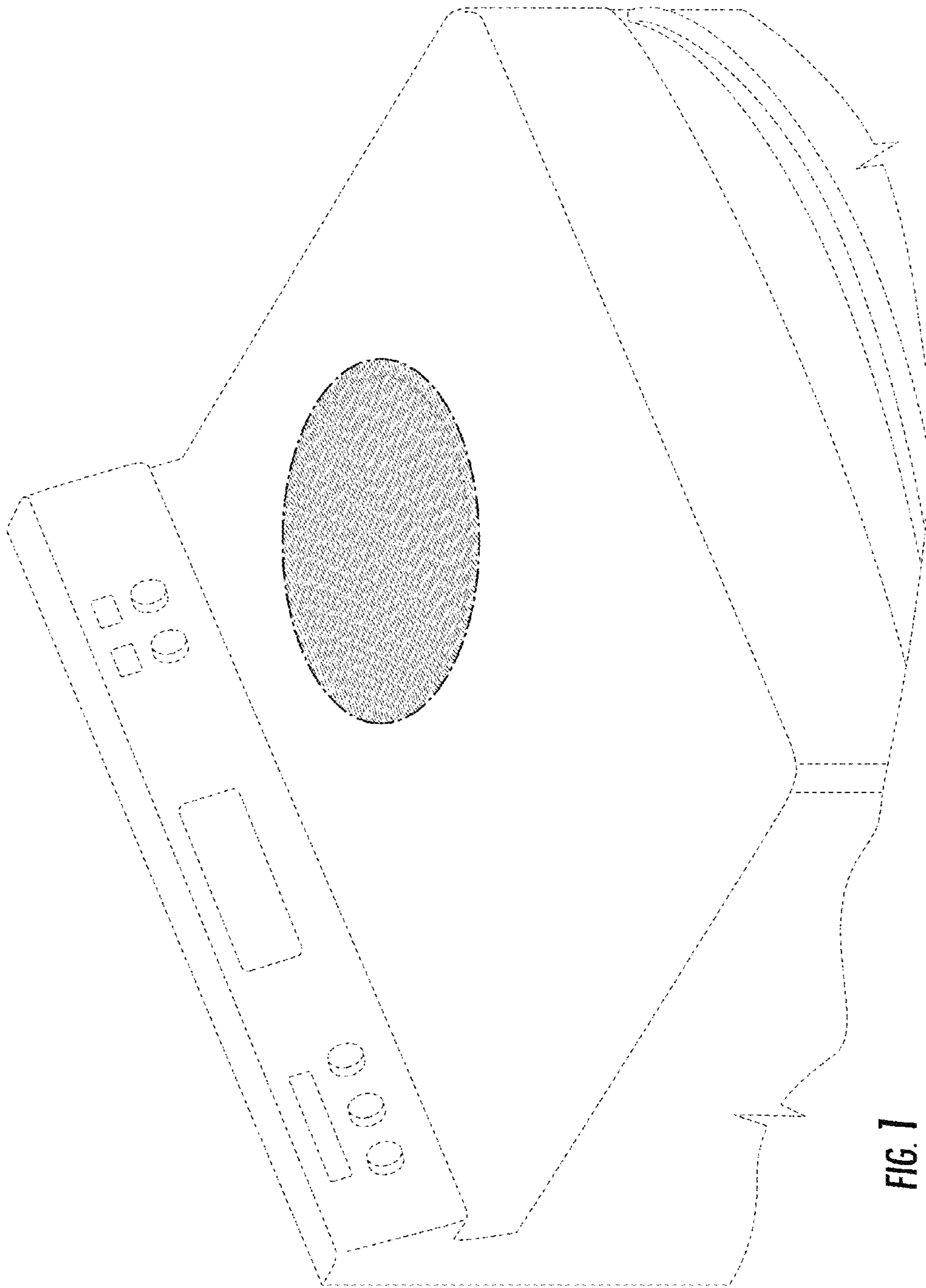


FIG. 1

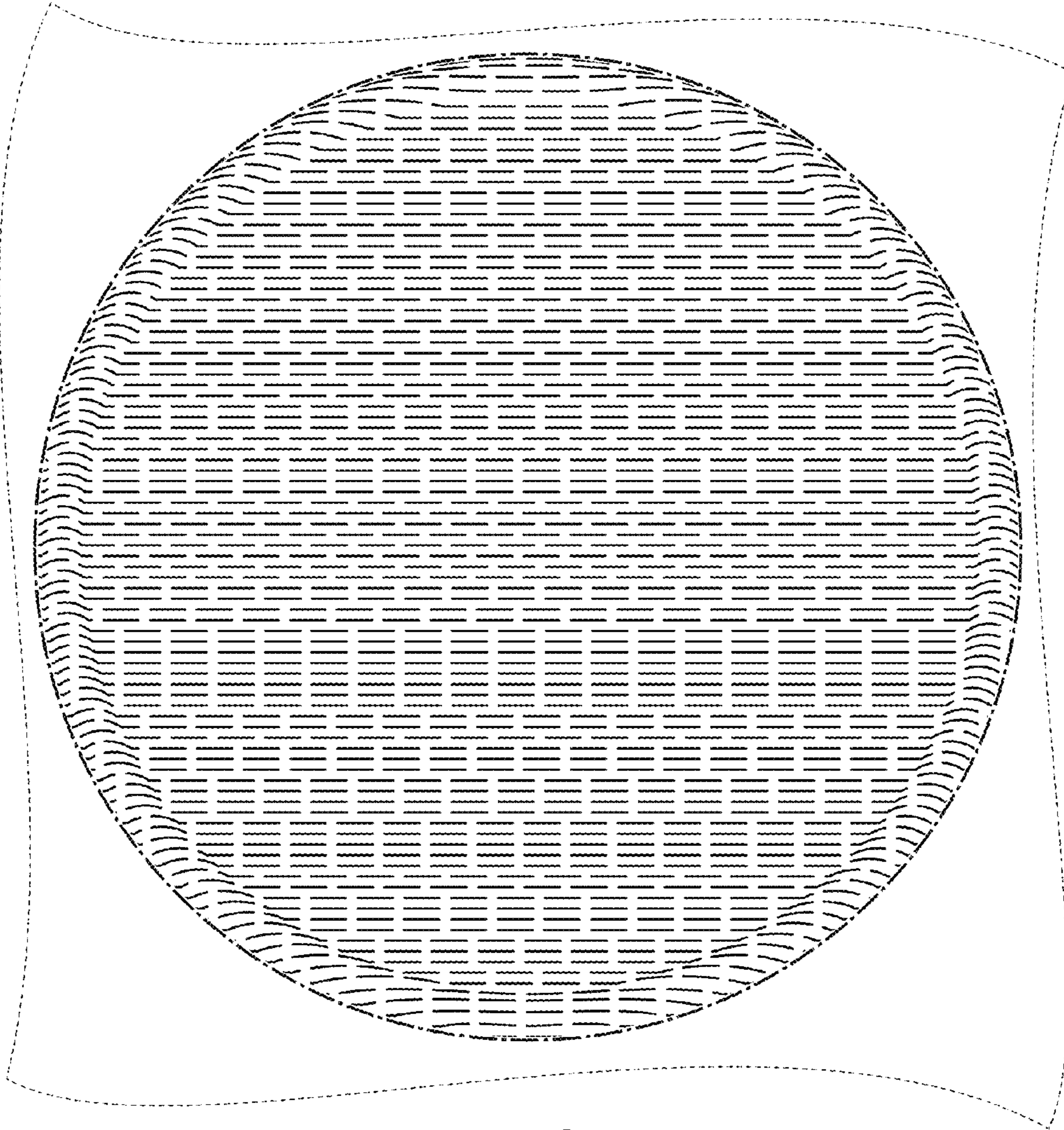


FIG. 2