



US00D701409S

(12) **United States Design Patent**
Dohm

(10) **Patent No.:** **US D701,409 S**
(45) **Date of Patent:** **** Mar. 25, 2014**

(54) **AIRPLANE SEAT**

(75) Inventor: **Matthias Dohm**, Neustadt/Holstein (DE)

(73) Assignee: **Loher Raumexklusiv GmbH**,
Wallersdorf-Haidlfing (DE)

(**) Term: **14 Years**

(21) Appl. No.: **29/428,966**

(22) Filed: **Aug. 6, 2012**

(30) **Foreign Application Priority Data**

Mar. 23, 2012 (WO) DM/078 166

(51) **LOC (10) Cl.** **06-01**

(52) **U.S. Cl.**
USPC **D6/708.17**

(58) **Field of Classification Search**

USPC D6/334-336, 356, 360, 361, 364, 365,
D6/367, 368, 374, 375, 381, 716, 716.1,
D6/716.2, 716.3, 716.4, 708.17; 297/71,
297/232, 391, 397, 423.18, 423, 452.29,
297/452.34, 452.35, 452.482; 244/118.5,
244/118.6, 141; D24/178

See application file for complete search history.

(56) **References Cited**

U.S. PATENT DOCUMENTS

D152,851	S	*	3/1949	Barecki	D6/708.17
4,205,878	A	*	6/1980	Wooten	297/391
D277,239	S	*	1/1985	White	D6/356
D281,472	S	*	11/1985	Soederberg	D6/356
D298,986	S	*	12/1988	Carter	D6/356
D577,499	S	*	9/2008	Tsay et al.	D6/356
D577,500	S	*	9/2008	Tsay et al.	D6/356
D577,502	S	*	9/2008	Fisette et al.	D6/356

* cited by examiner

Primary Examiner — Mimosa De

(74) *Attorney, Agent, or Firm* — Benjamin C. Armitage;
Billion & Armitage

(57) **CLAIM**

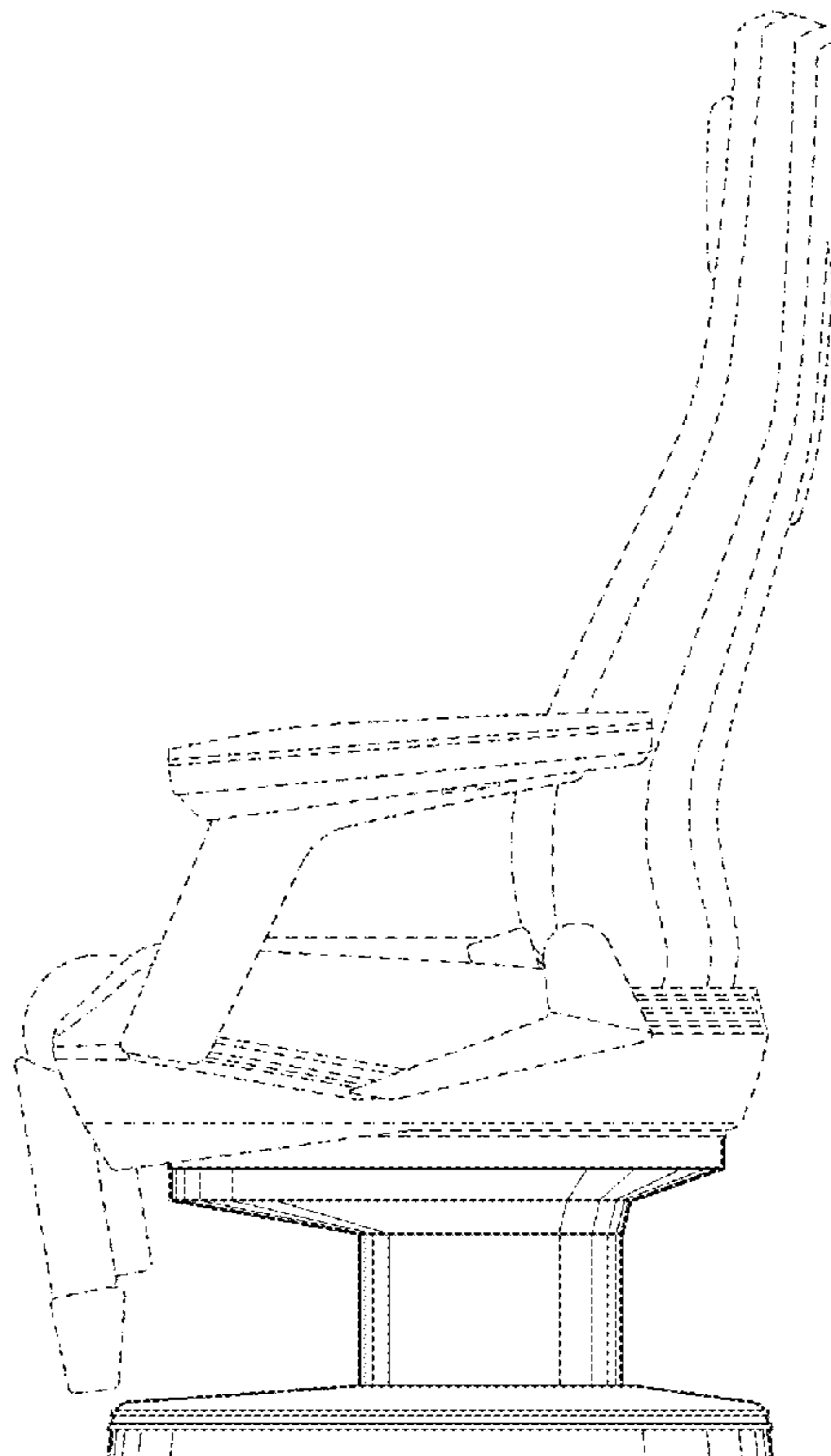
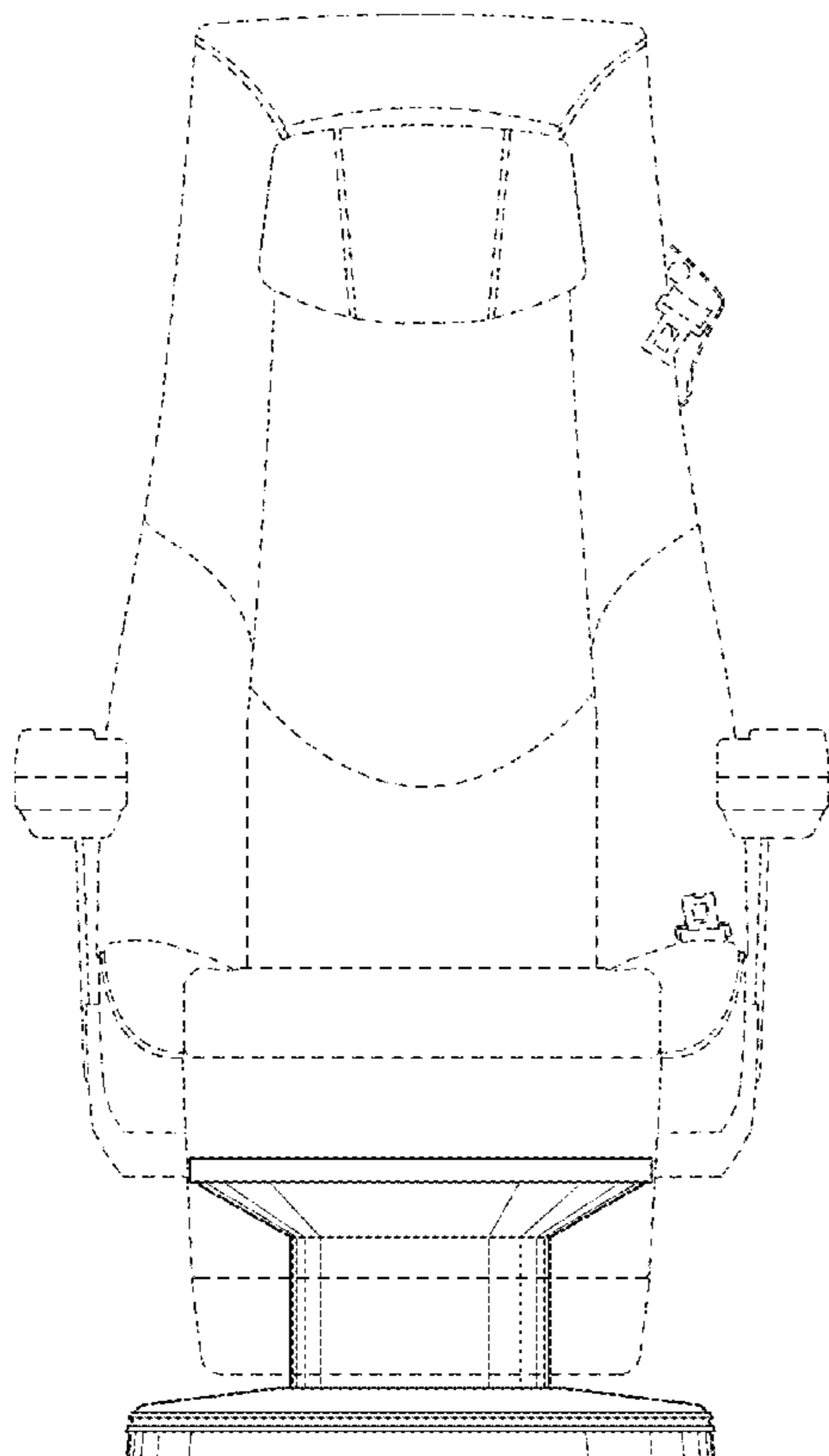
The ornamental design for airplane seat, as shown and described.

DESCRIPTION

FIG. 1 is a front view showing my design thereof;
FIG. 2 is a back view;
FIG. 3 is a side view;
FIG. 4 is a side view; and,
FIG. 5 is a top view.

The broken lines, shown in the drawing, are included for the purpose of illustrating environmental structure and form no part of the claimed design.

1 Claim, 5 Drawing Sheets



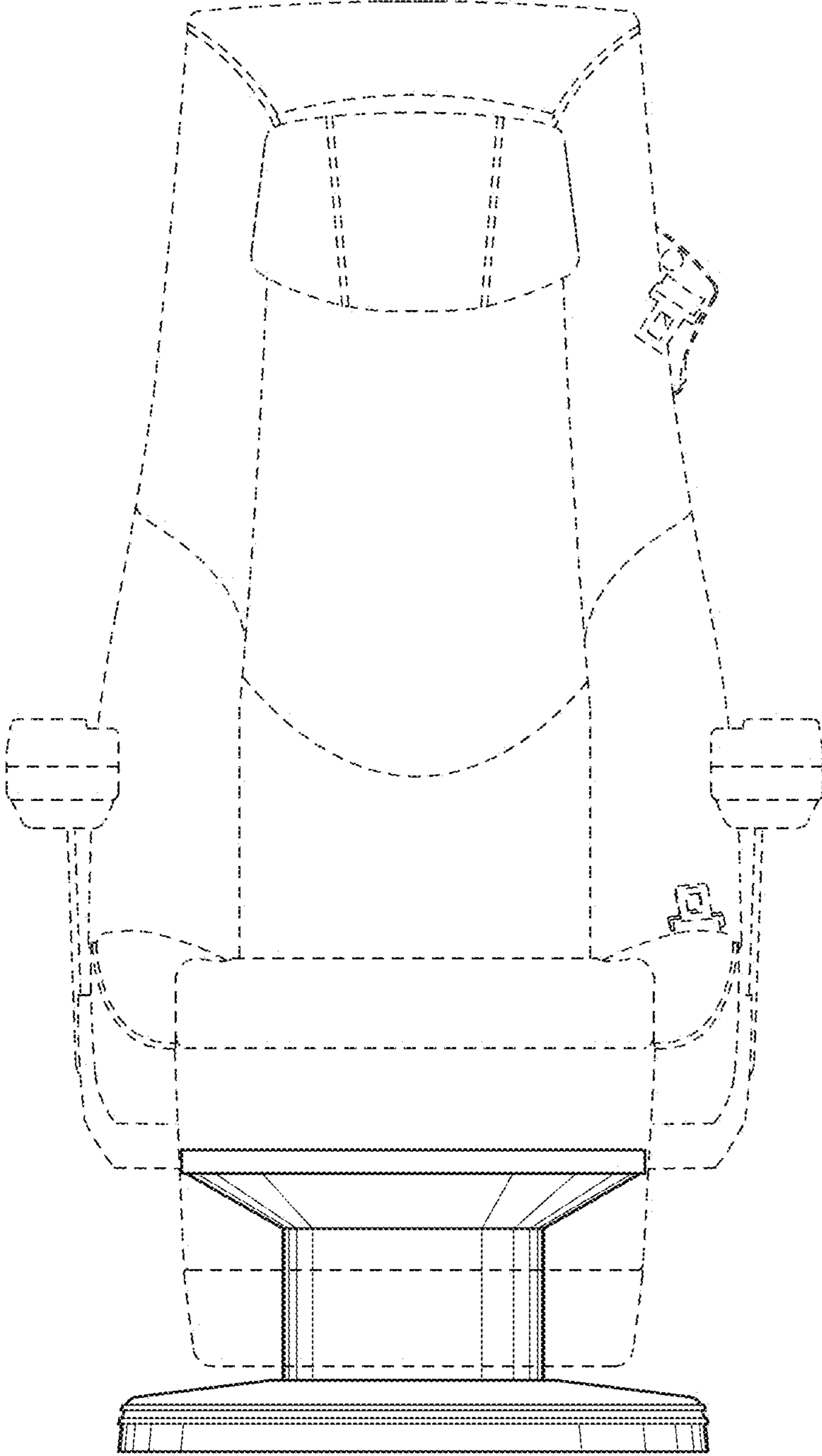


FIG. 1

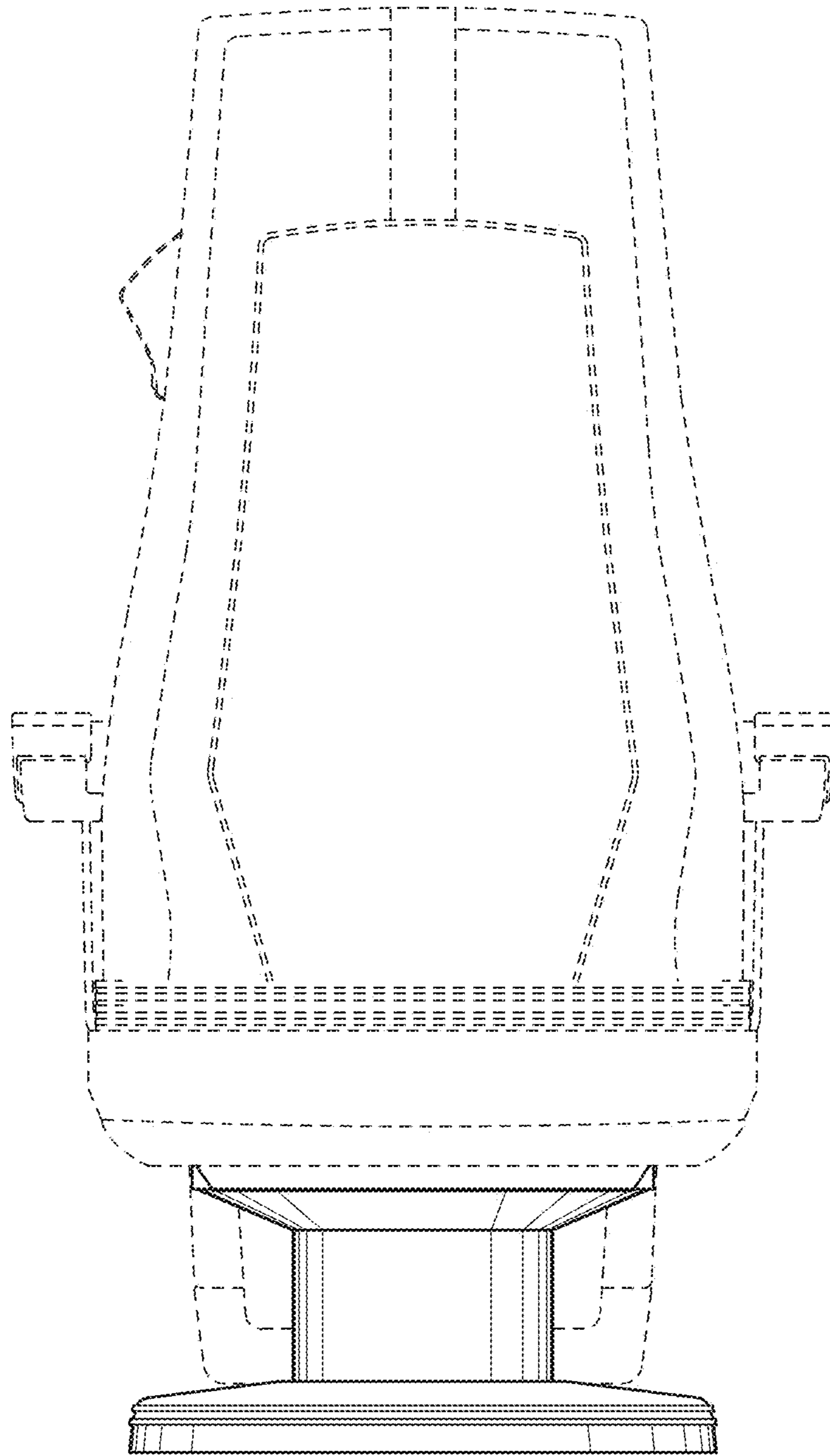


FIG. 2

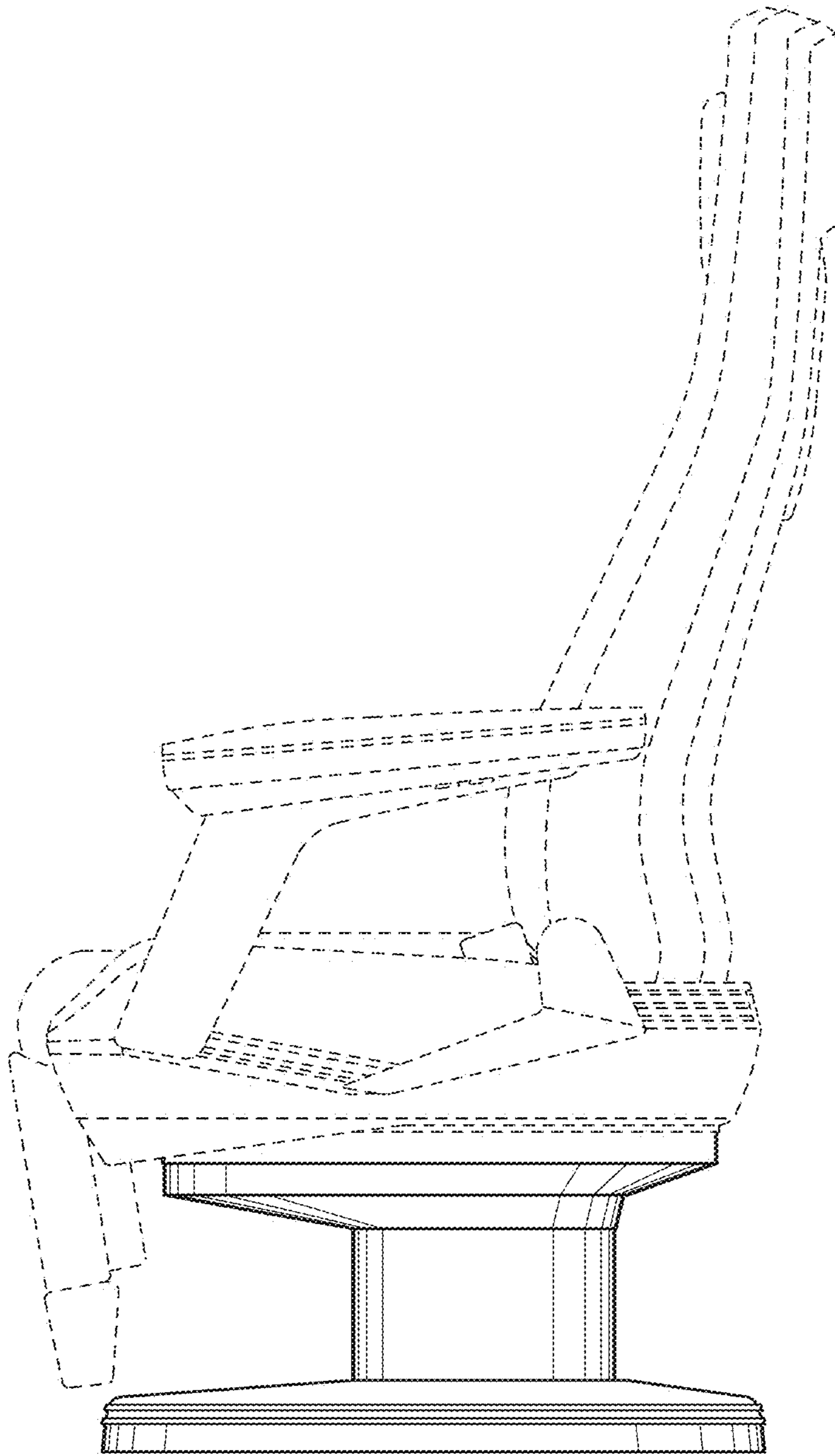


FIG. 3

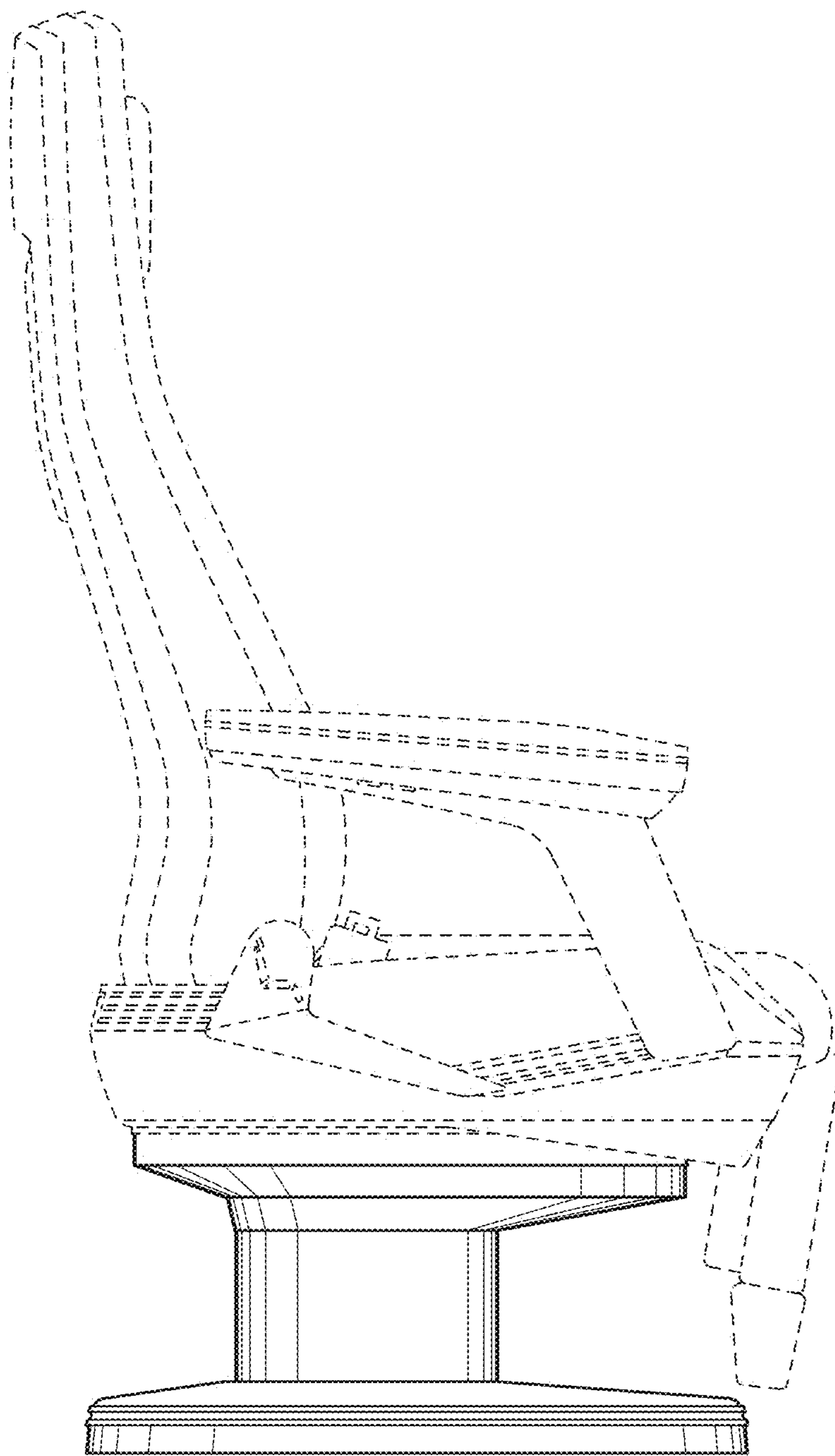


FIG. 4

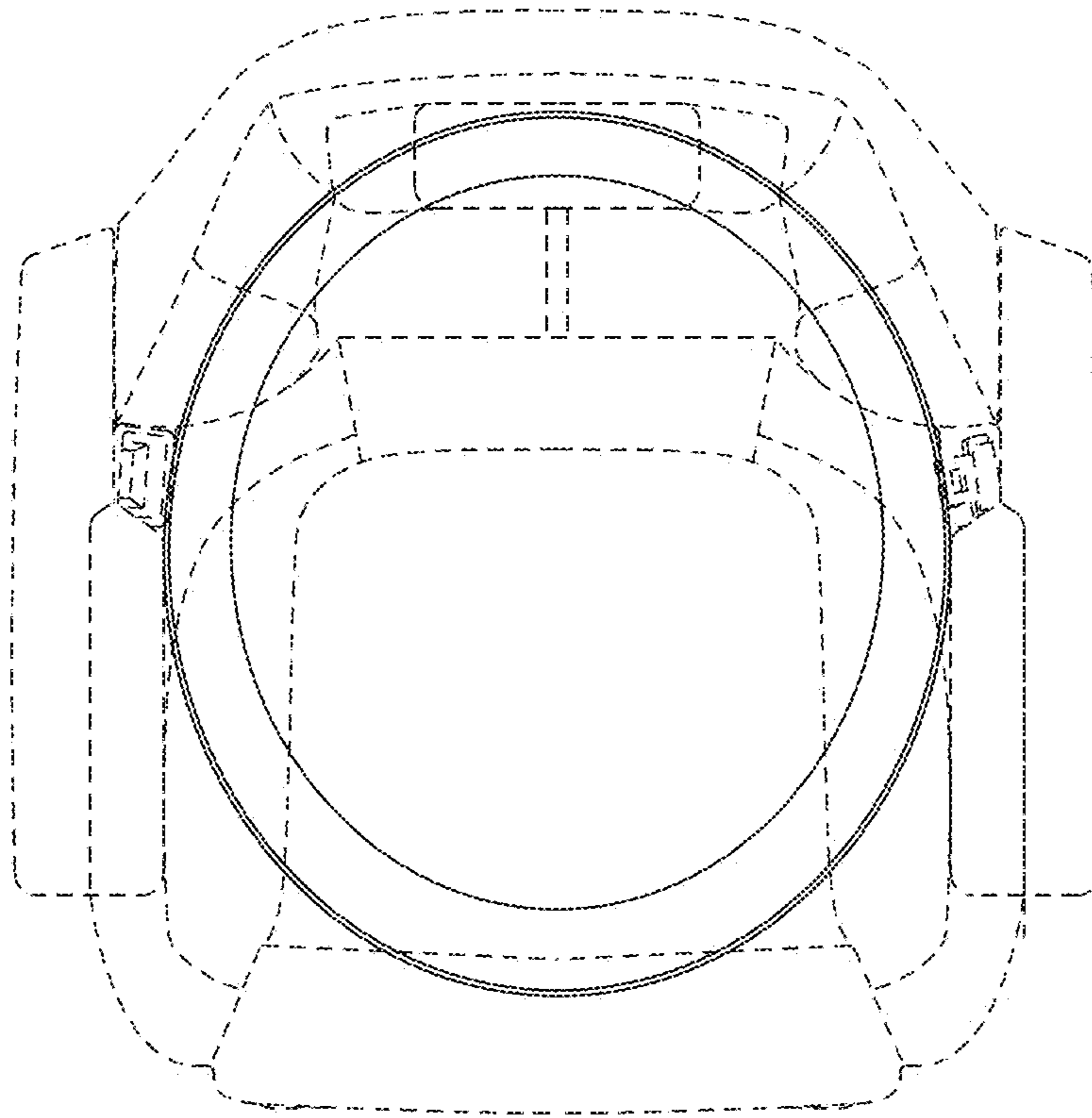


FIG. 5