



US00D701407S

(12) **United States Design Patent**
Bavuso

(10) **Patent No.:** **US D701,407 S**
(45) **Date of Patent:** **** Mar. 25, 2014**

(54) **DOOR (FOR KITCHEN FURNITURE)**
(75) Inventor: **Giuseppe Bavuso**, Carate Brianza (IT)
(73) Assignee: **Ernestomeda S.p.A.**, Montellabate (IT)
(**) Term: **14 Years**
(21) Appl. No.: **29/430,510**
(22) Filed: **Aug. 27, 2012**

(30) **Foreign Application Priority Data**
Mar. 22, 2012 (EM) 002013219-001/002
(51) **LOC (10) Cl.** **06-06**
(52) **U.S. Cl.**
USPC **D6/703**
(58) **Field of Classification Search**
USPC D6/657, 662, 662.1, 663, 664, 671,
D6/671.1, 671.2, 671.3, 671.4, 703;
312/107, 108, 109, 111, 114, 138.1,
312/204, 237, 249.1, 257.1, 265.3, 265.5,
312/290, 293.2; D23/271, 272, 308
See application file for complete search history.

(56) **References Cited**
U.S. PATENT DOCUMENTS
2,489,493 A * 11/1949 Kuenzie 312/107
D173,923 S * 1/1955 Weise D6/671.2

3,261,651 A * 7/1966 Prowse 312/290
3,399,941 A * 9/1968 Hansen et al. 312/265.3
D223,374 S * 4/1972 Firdmann D6/671
D243,903 S * 4/1977 Carter D6/671.1
D313,709 S * 1/1991 Offredi D6/671.1
D393,965 S * 5/1998 Sandy D6/703
2005/0200250 A1 * 9/2005 Zillmann et al. 312/265.5
2009/0108718 A1 * 4/2009 Craig et al. 312/109
2010/0096959 A1 * 4/2010 Weaver 312/109

* cited by examiner

Primary Examiner — Mimosa De

(74) *Attorney, Agent, or Firm* — Pearne & Gordon LLP

(57) **CLAIM**
The ornamental design for a door (for kitchen furniture), as shown and described.

DESCRIPTION
FIG. 1 illustrates a door in perspective view;
FIG. 2 illustrates a front view thereof;
FIG. 3 illustrates a right side view thereof;
FIG. 4 illustrates a bottom view thereof;
FIG. 5 illustrates a top view thereof;
FIG. 6 illustrates a rear view thereof; and,
FIG. 7 is an enlarged detail of FIG. 1 showing the handle of the door.

1 Claim, 4 Drawing Sheets

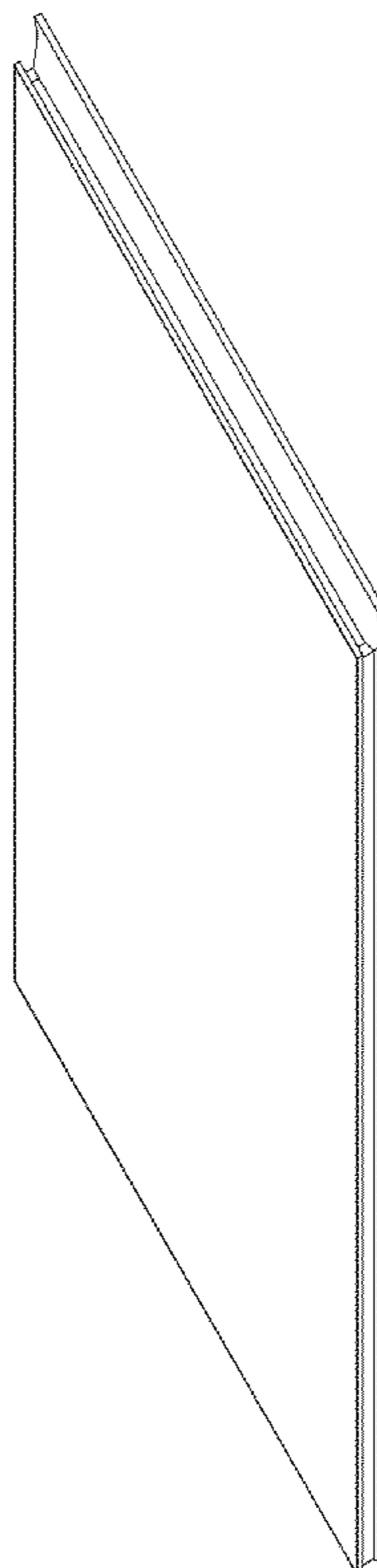


FIG. 1

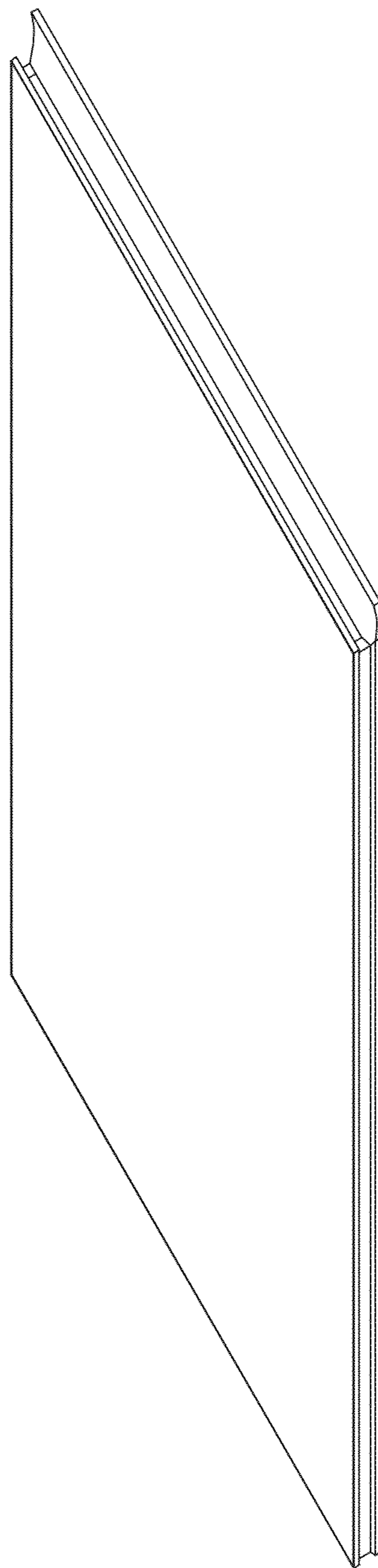


FIG. 5

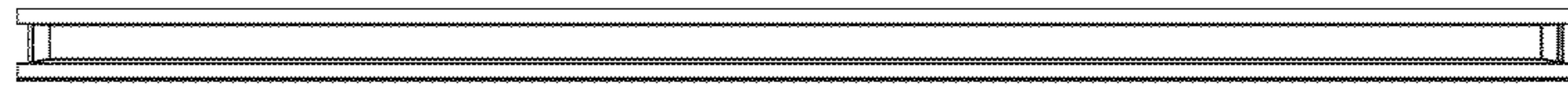


FIG. 2

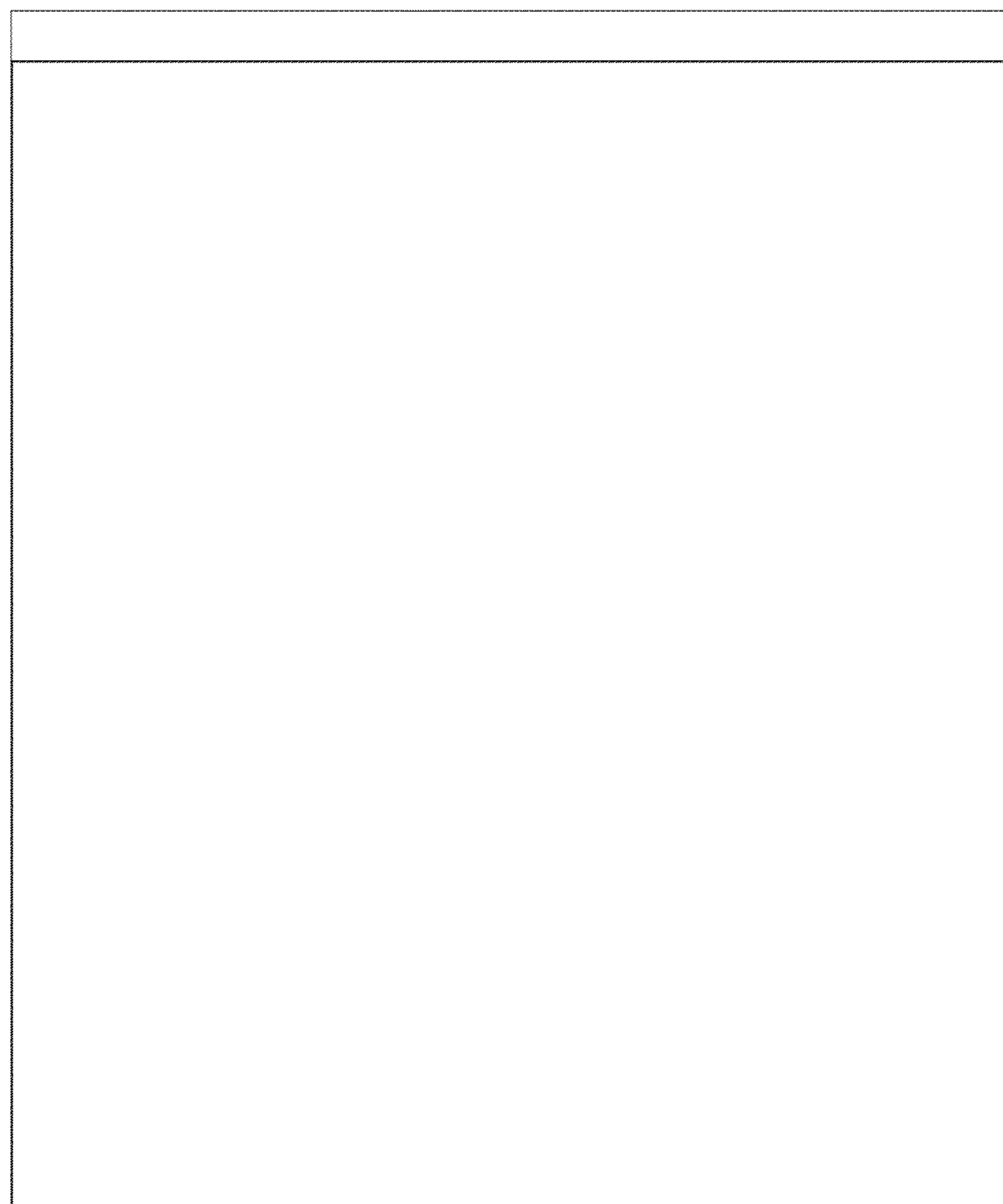


FIG. 3



FIG. 4



FIG. 6

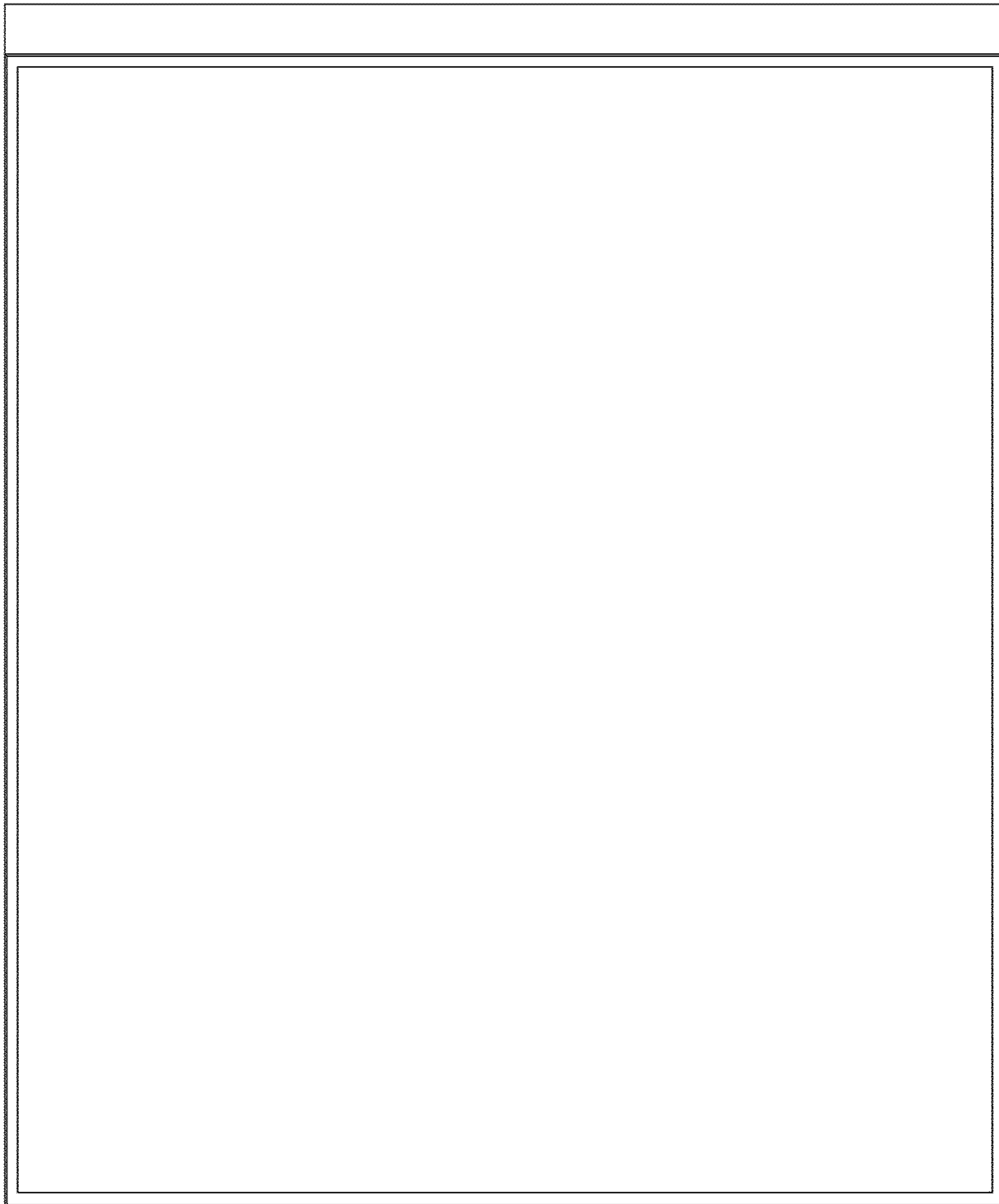


FIG. 7

